



US00D427649S

# United States Patent [19] Mak

[11] **Patent Number: Des. 427,649**  
[45] **Date of Patent: \*\* Jul. 4, 2000**

[54] **TOY DRAWING TABLE**

[75] Inventor: **Kai-Shun Mak**, Hong Kong, The Hong Kong Special Administrative Region of the People's Republic of China

[73] Assignee: **Hop Lee Cheong Industrial Company Limited**, Hong Kong, The Hong Kong Special Administrative Region of the People's Republic of China

[\*\*] Term: **14 Years**

[21] Appl. No.: **29/106,321**

[22] Filed: **Jun. 11, 1999**

[51] **LOC (7) Cl.** ..... **21-01**

[52] **U.S. Cl.** ..... **D21/522; D6/480**

[58] **Field of Search** ..... **D21/522, 519; D6/480, 484; 446/482; 108/153, 156**

[56] **References Cited**

**U.S. PATENT DOCUMENTS**

D. 326,295 5/1992 Monneret ..... D21/522

D. 330,573 10/1992 Monneret ..... D21/522  
D. 359,406 6/1995 Crawford et al. .... D6/484  
D. 377,378 1/1997 Monneret ..... D21/522  
D. 399,680 10/1998 Mak ..... D6/480

*Primary Examiner*—Raphael Barkai  
*Attorney, Agent, or Firm*—Samuels, Gauthier & Stevens

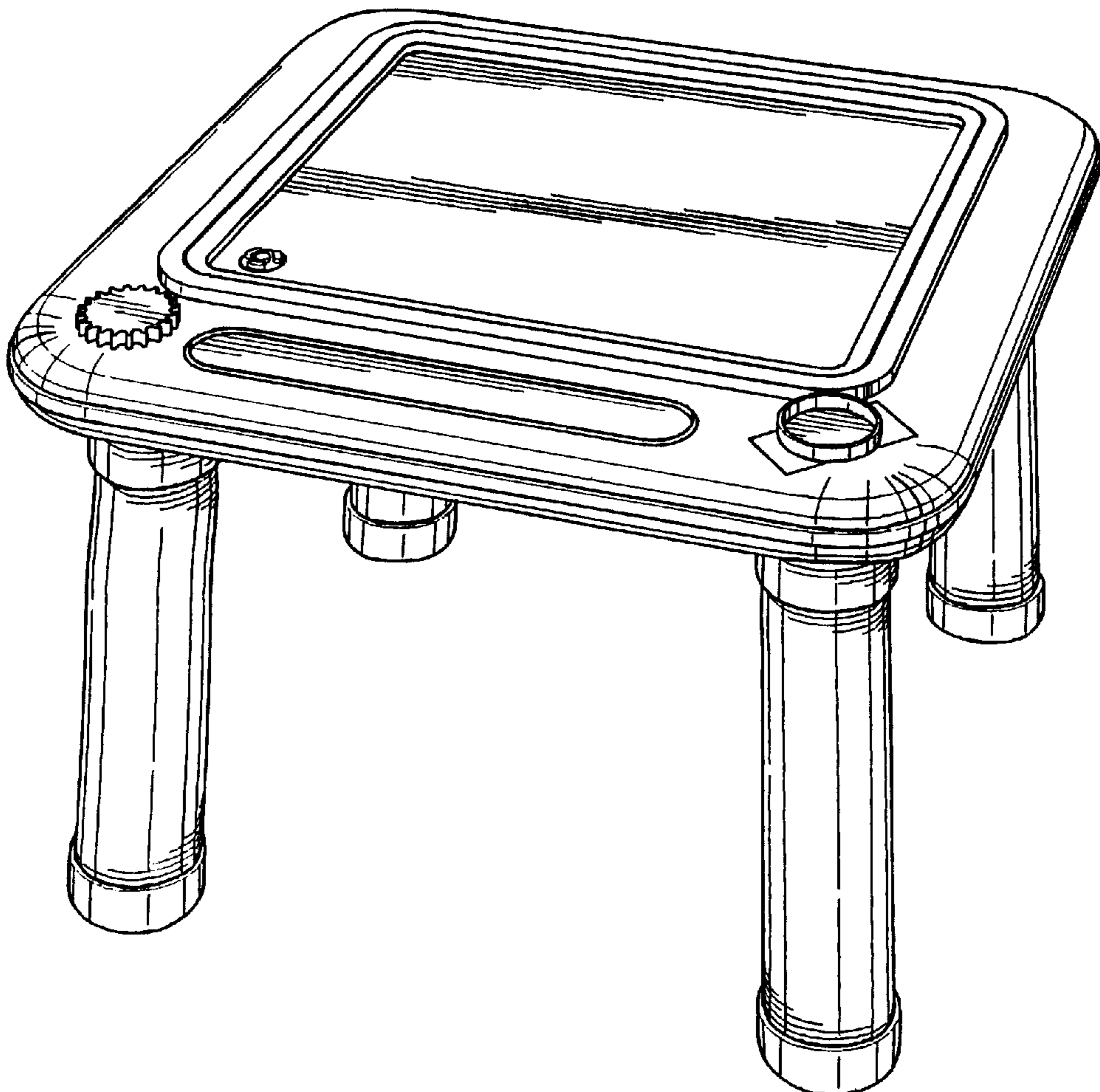
[57] **CLAIM**

The ornamental design for a toy drawing table, as shown and described.

**DESCRIPTION**

FIG. 1 is the front perspective view showing my new design; FIG. 2 is the front view thereof; FIG. 3 is the left-hand view thereof; FIG. 4 is the top view thereof; FIG. 5 is the rear view thereof; FIG. 6 is the right-hand view thereof; and, FIG. 7 is the bottom view thereof.

**1 Claim, 4 Drawing Sheets**



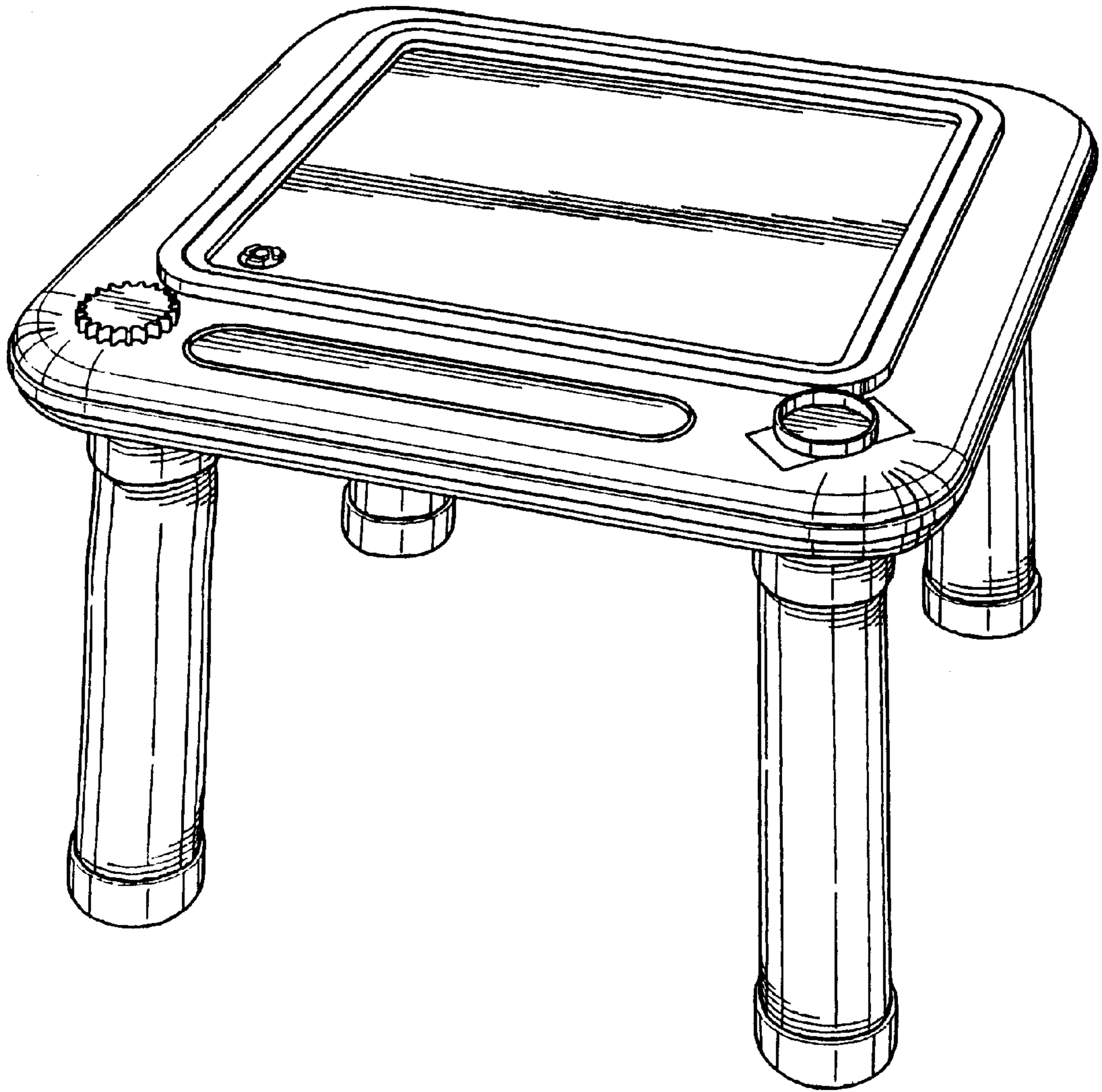


FIG. 1

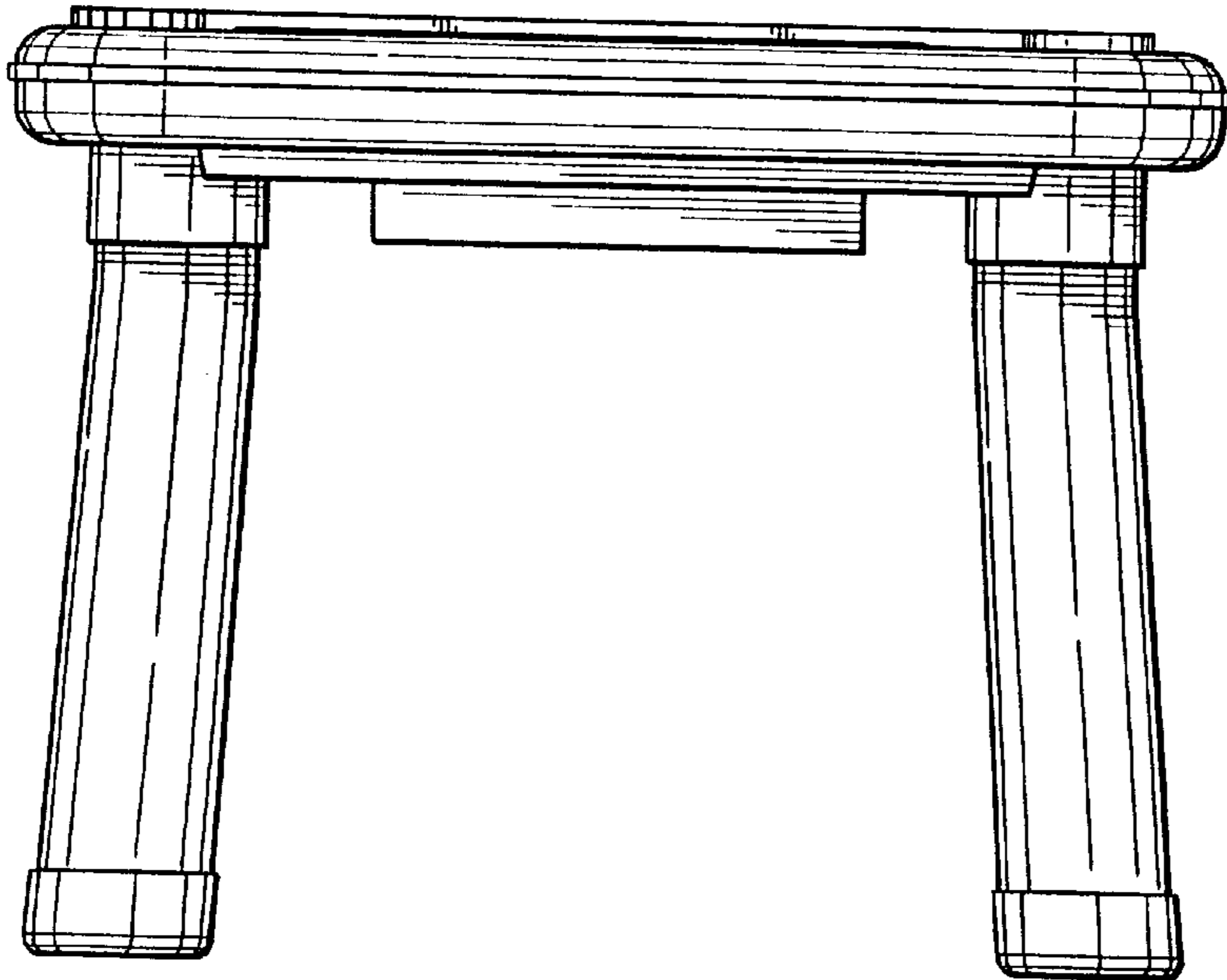


FIG. 2

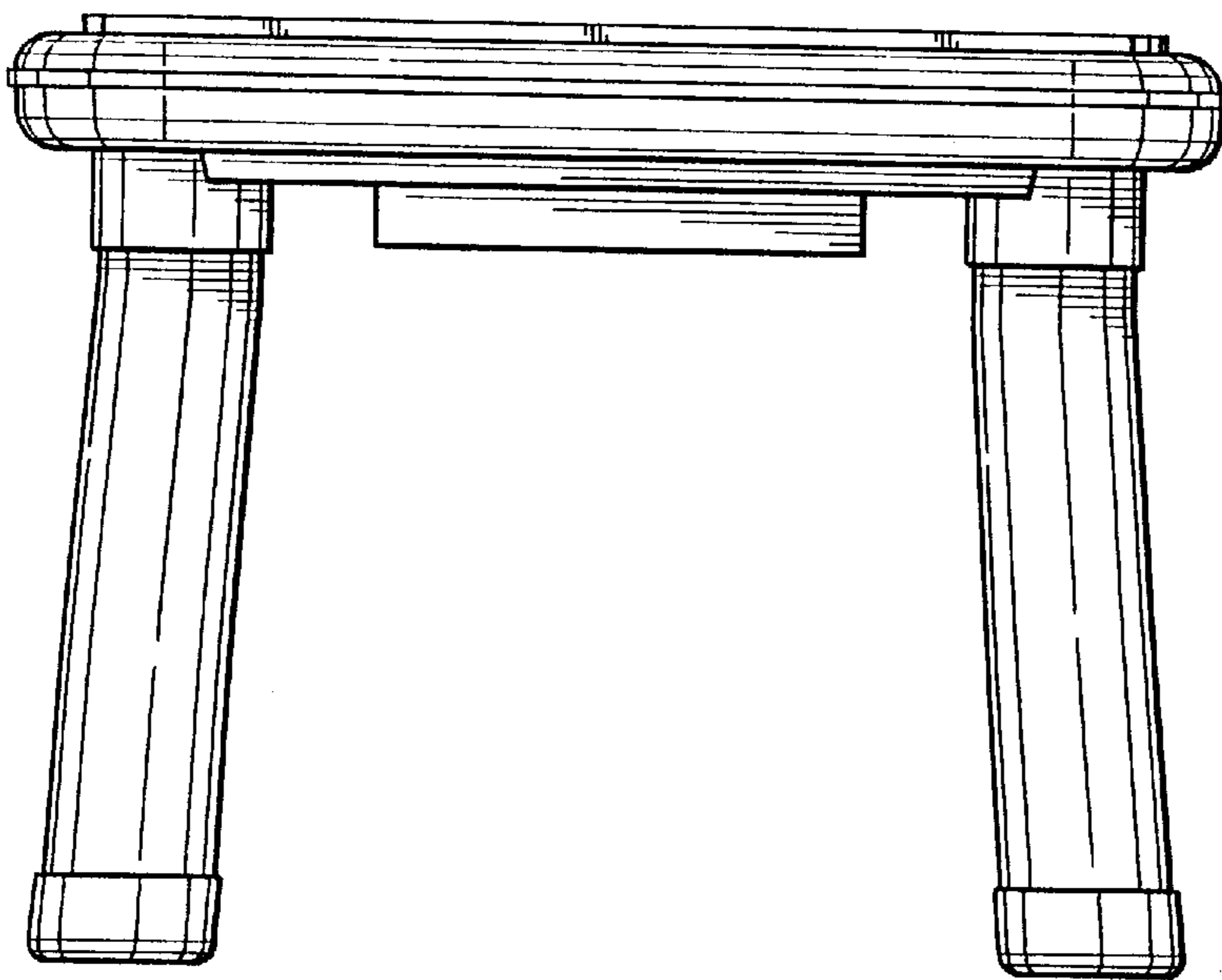


FIG. 5

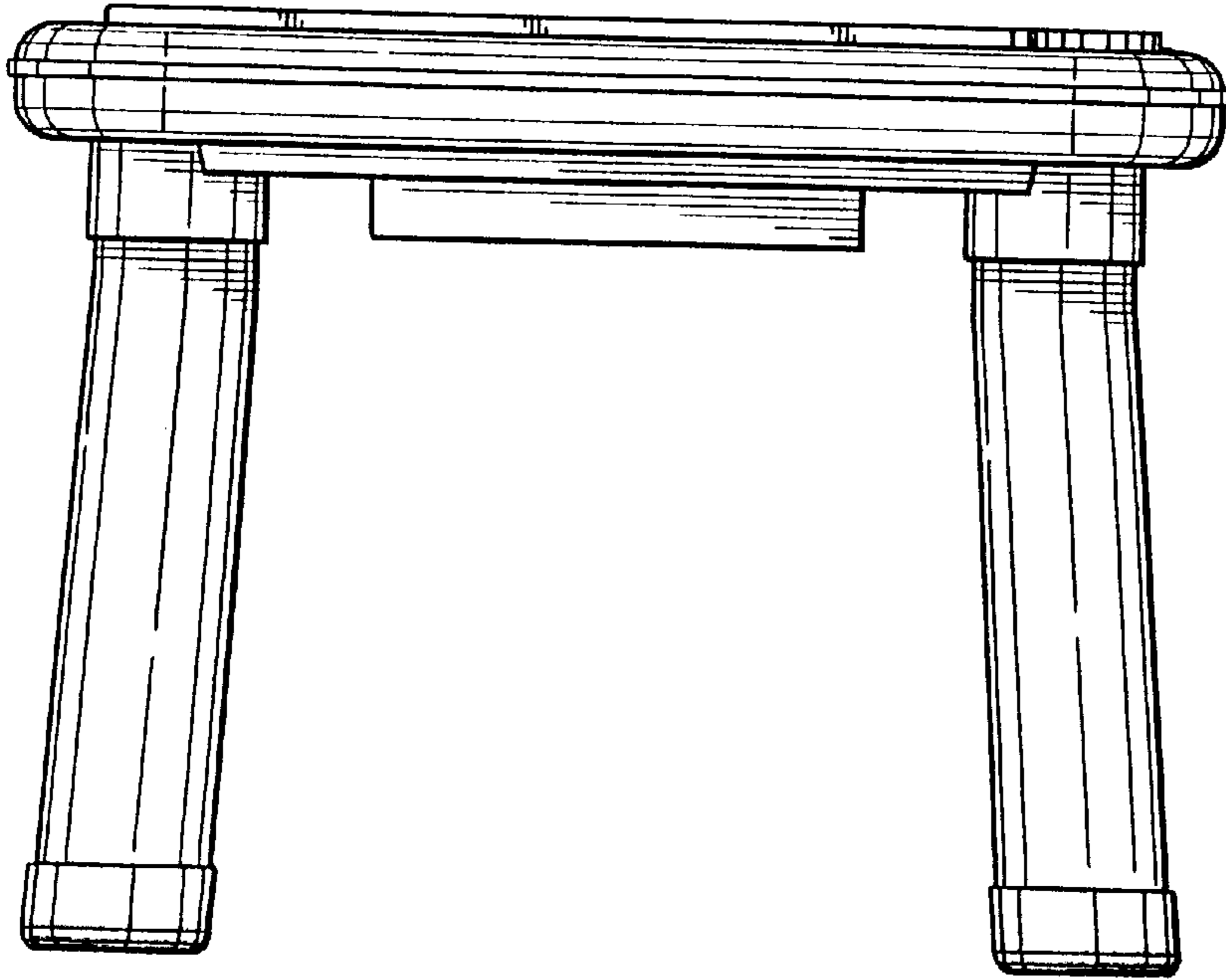


FIG. 3

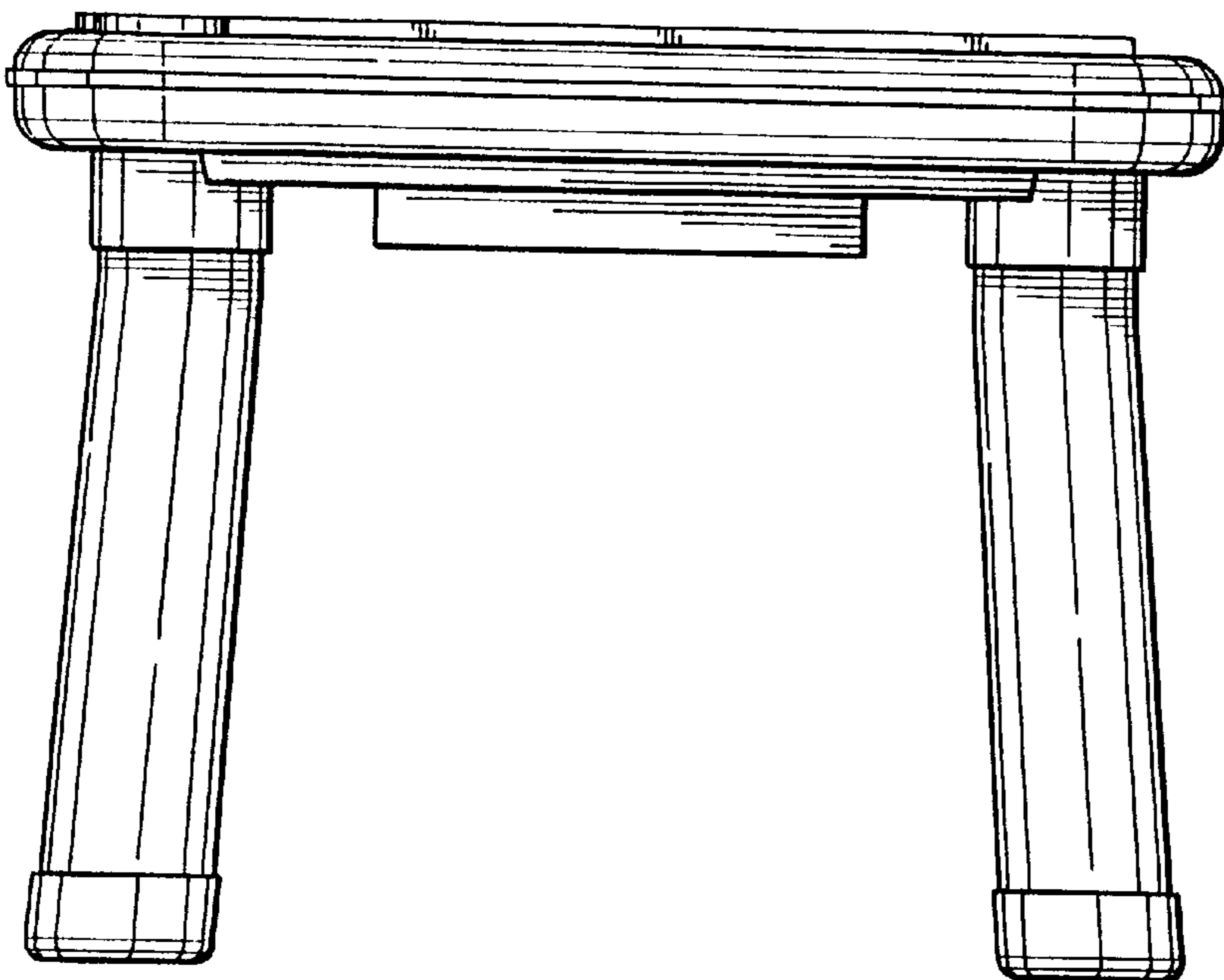


FIG. 6

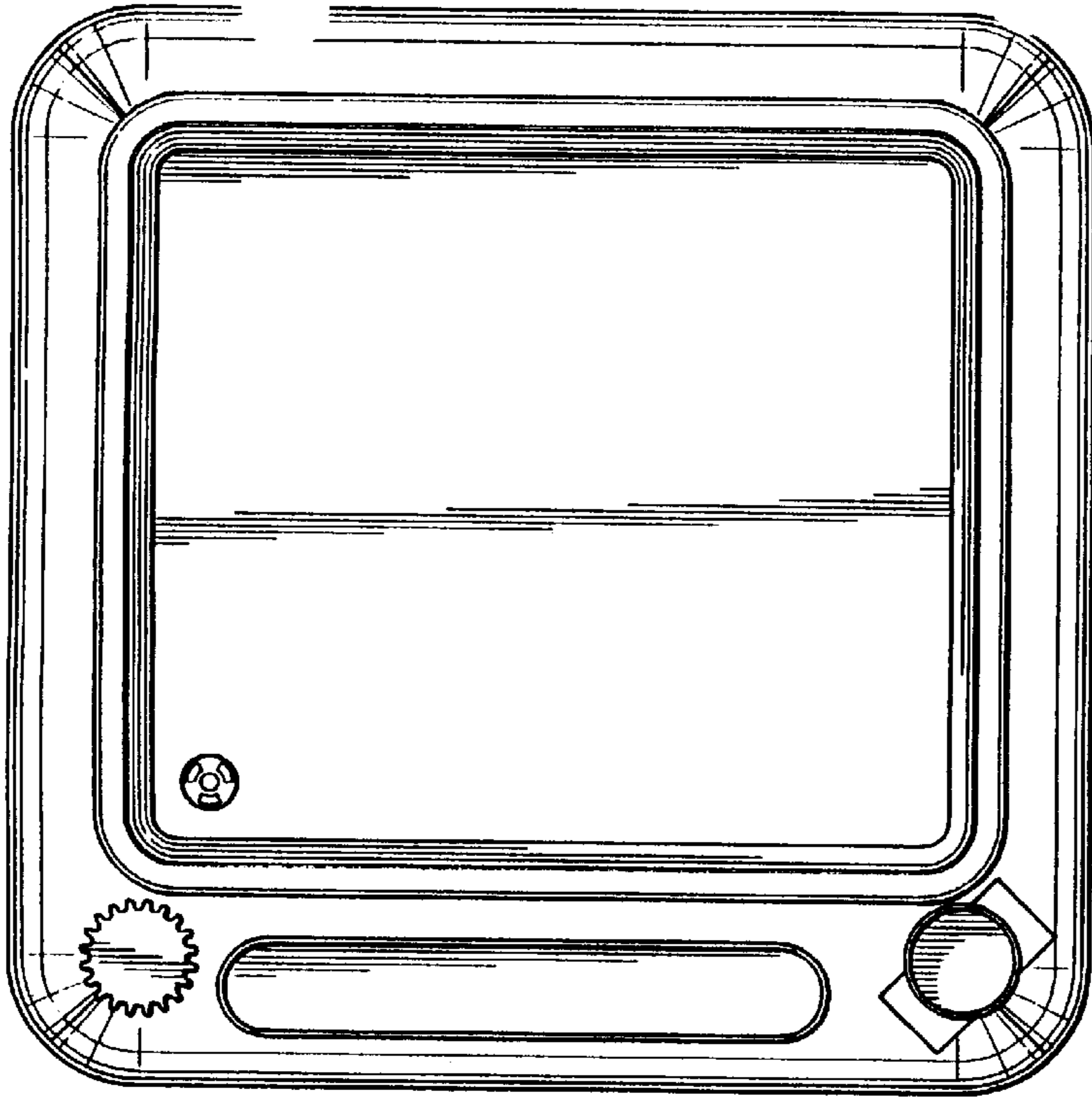


FIG. 4

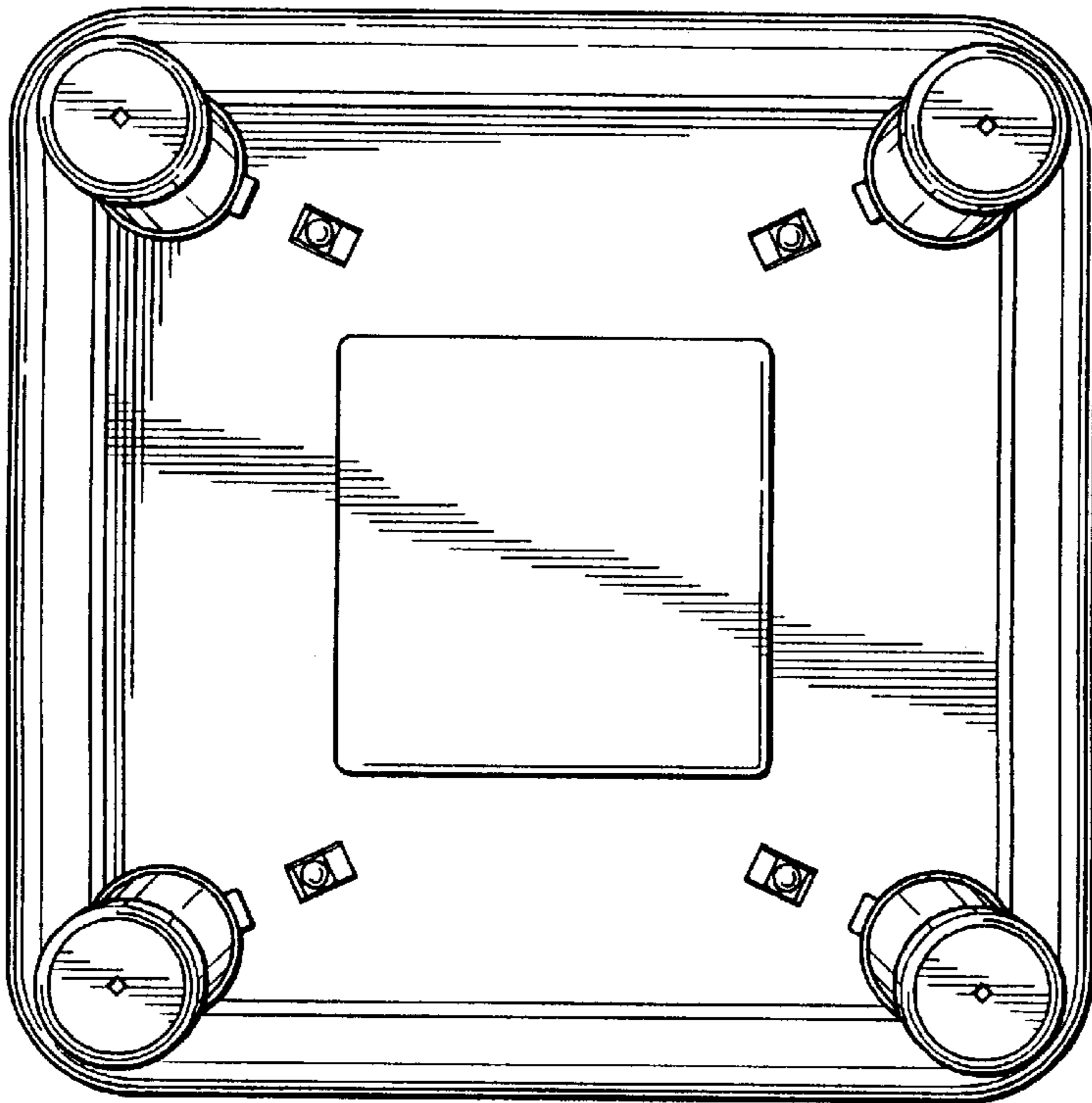


FIG. 7