



US00D427642S

**United States Patent** [19]  
**Pugliese**

[11] **Patent Number: Des. 427,642**

[45] **Date of Patent: \*\* Jul. 4, 2000**

[54] **SIGN HOLDER FOR BOOK SHELVING**

[75] Inventor: **Joseph S. Pugliese**, Lewisburg, Pa.

[73] Assignee: **Brodart Co.**, Williamsport, Pa.

[\*\*] Term: **14 Years**

[21] Appl. No.: **29/114,042**

[22] Filed: **Nov. 18, 1999**

D. 390,881	2/1998	Kiggins .....	D20/42 X
3,452,954	7/1969	Lucietto et al. ....	248/220.22
4,540,093	9/1985	Merl et al. ....	211/59.1
5,606,816	3/1997	Schwartz .....	40/617

*Primary Examiner*—Alan P. Douglas

*Assistant Examiner*—Jennifer Rivard

[57] **CLAIM**

I claim the ornamental design for an sign holder for book shelving, as shown and described.

**Related U.S. Application Data**

[62] Division of application No. 29/081,537, Jan. 5, 1998.

[51] **LOC (7) Cl.** ..... **20-03**

[52] **U.S. Cl.** ..... **D20/43; D8/363**

[58] **Field of Search** ..... D20/10, 40-44;  
D8/363, 349, 373, 376; 211/48, 49.1, 90.03,  
100, 105.1, 105.2, 106, 119, 181.1; 248/220.22,  
249; 40/606, 607, 611, 618, 617, 620, 642.02,  
659

**DESCRIPTION**

FIG. 1 is a perspective view from the front, top, and right side of a sign holder according to this invention, the broken lines showing environment and not being part of the design; FIG. 2 is a rear elevational view thereof; FIG. 3 is a front elevational view thereof; FIG. 4 is a right side elevational view thereof; FIG. 5 is a left side elevational view thereof; FIG. 6 is a top view thereof; and, FIG. 7 is a bottom view thereof.

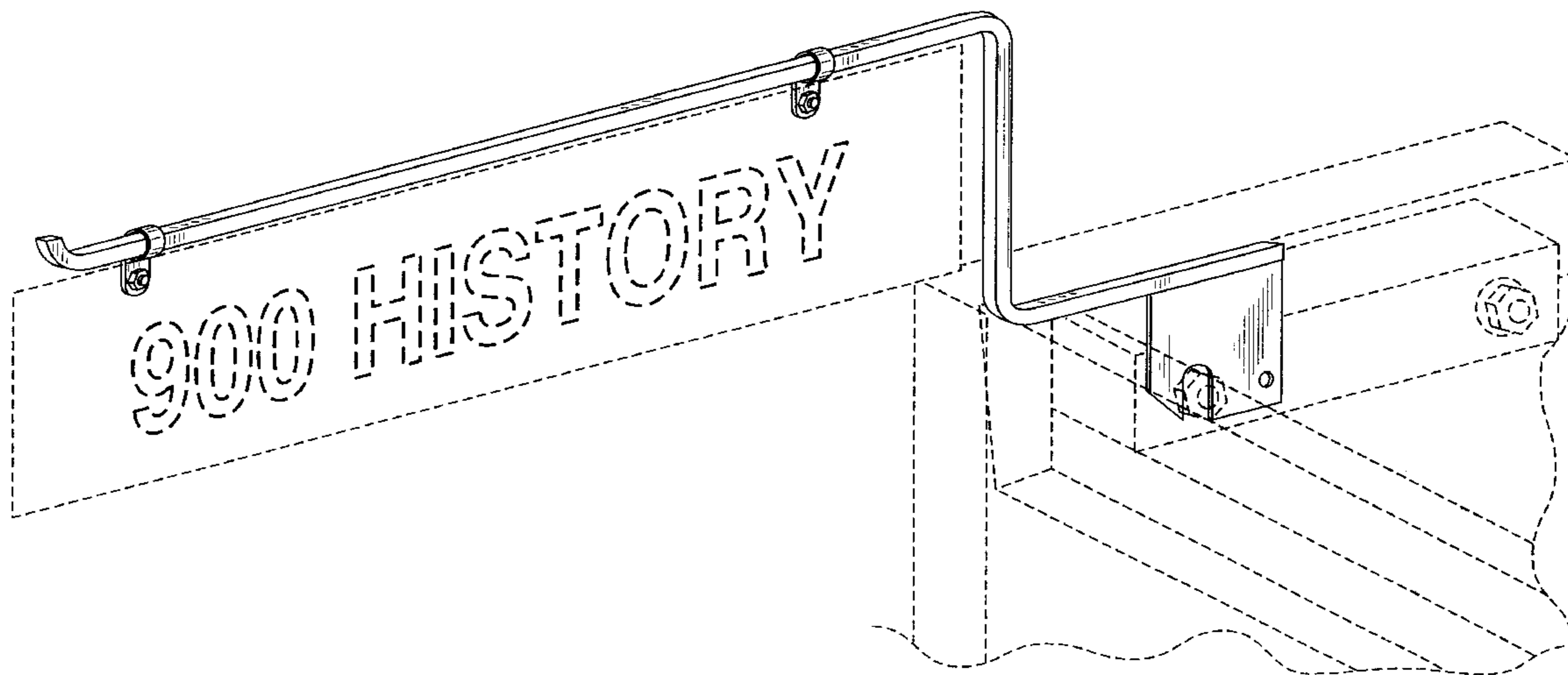
The broken lines are shown for illustrative purposes only and for no part of the claimed design.

[56] **References Cited**

**U.S. PATENT DOCUMENTS**

D. 247,265 2/1978 Ledebuhr ..... D20/43

**1 Claim, 5 Drawing Sheets**



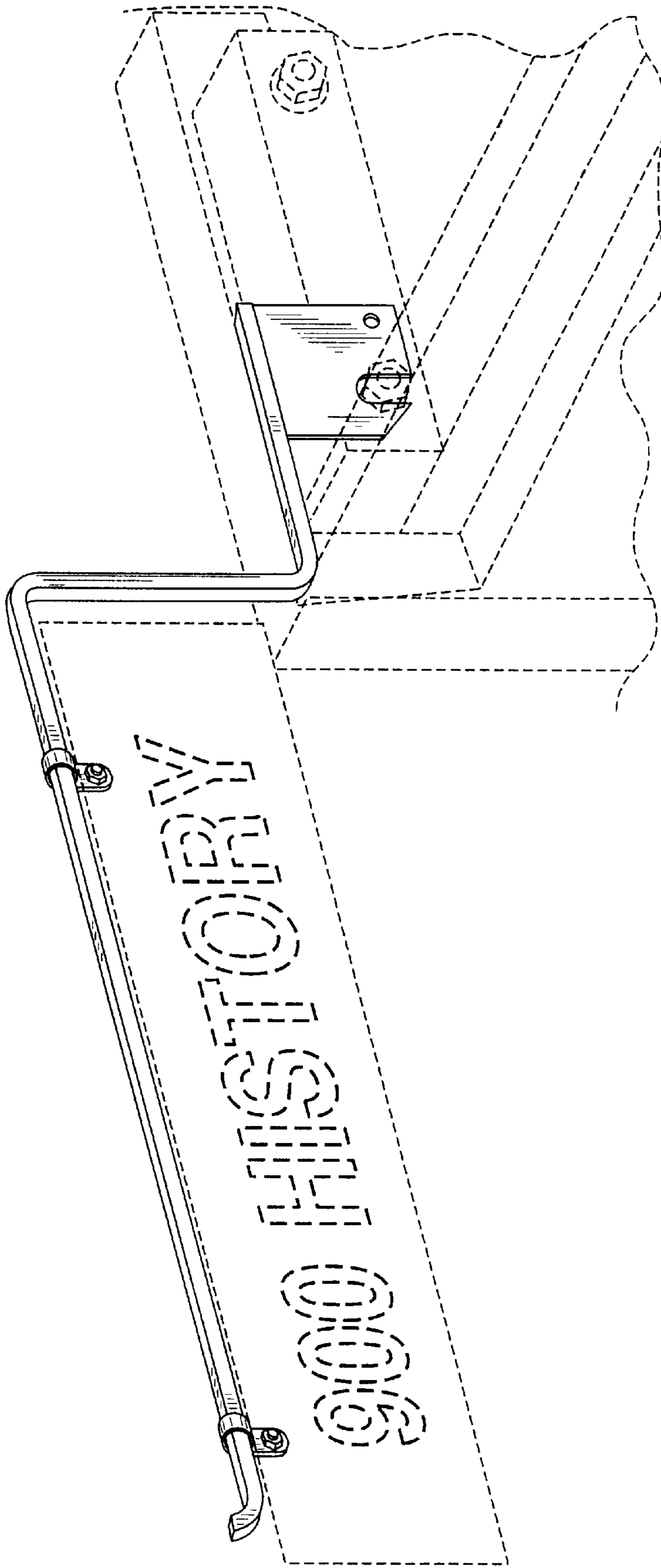


FIG. 1



FIG. 2



FIG. 3

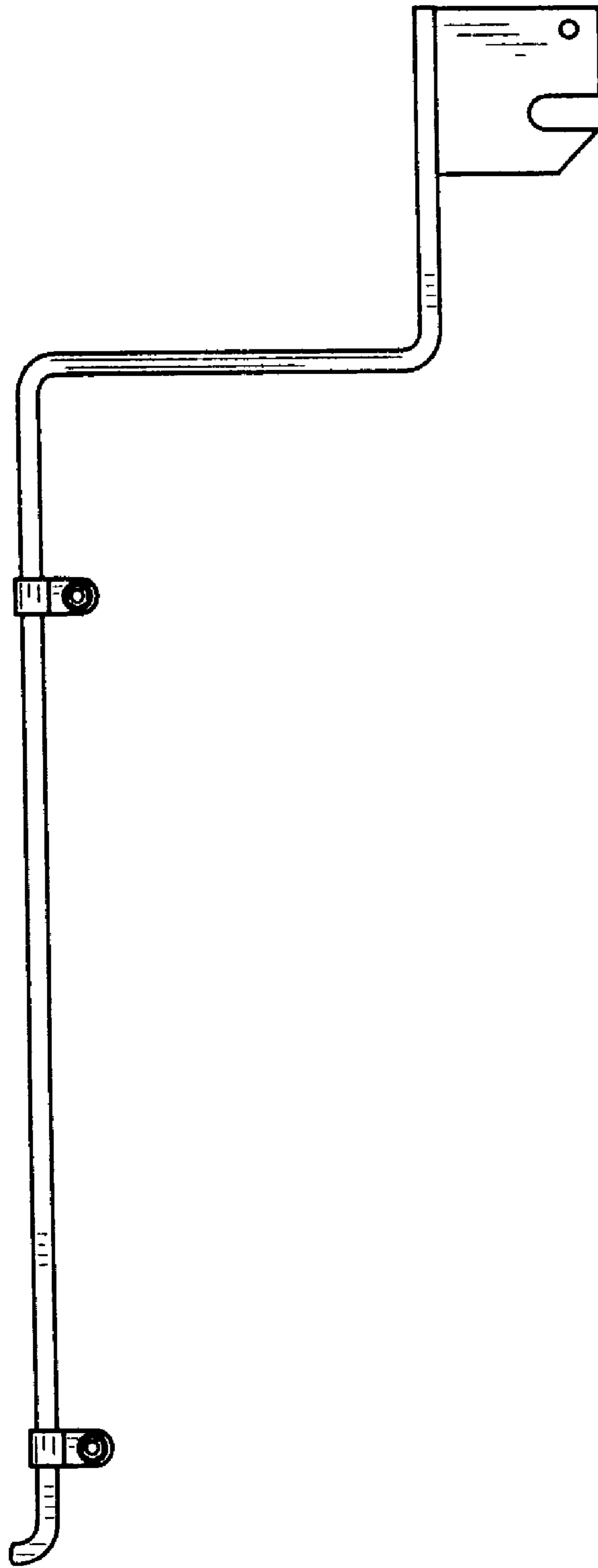


FIG. 4

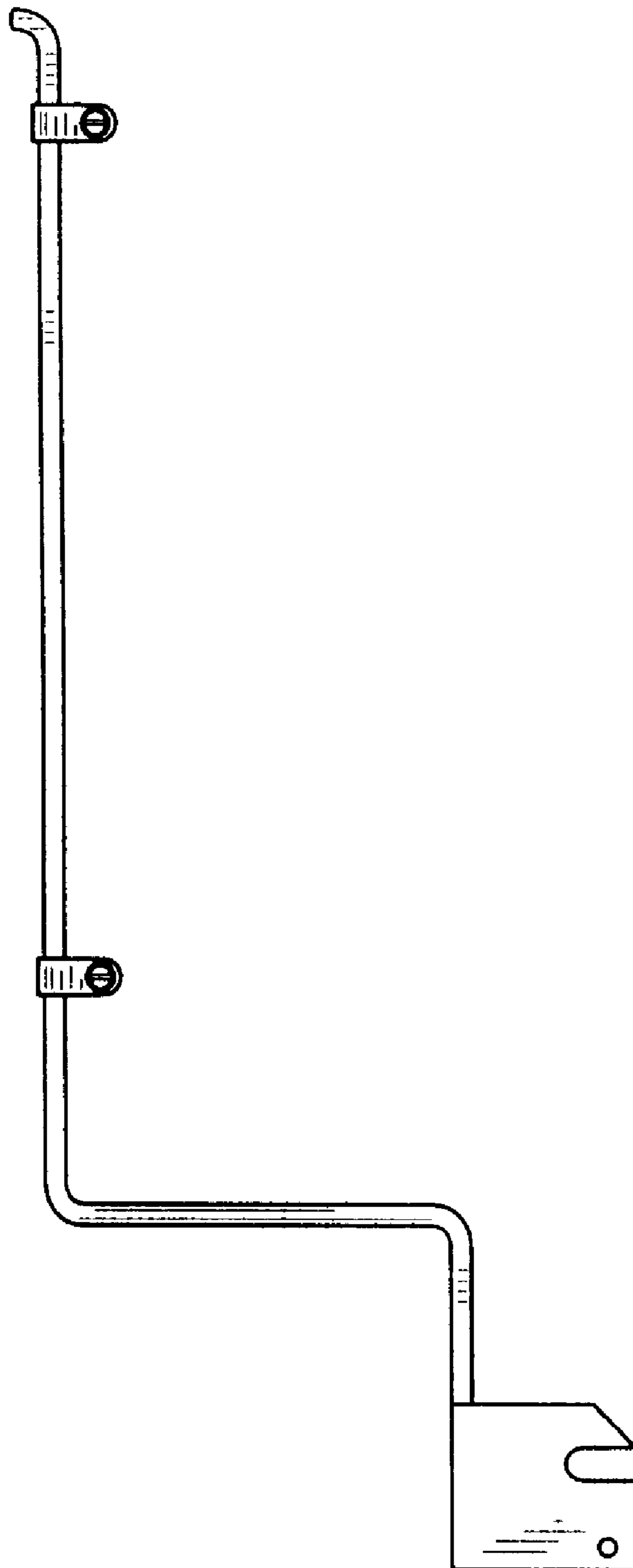


FIG. 5

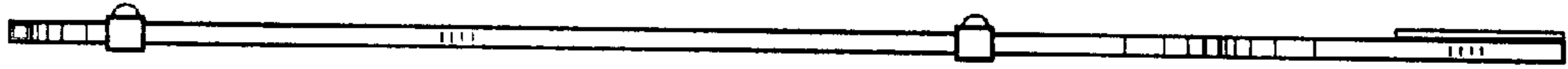


FIG. 6

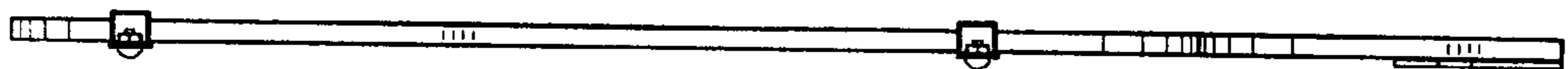


FIG. 7