



US00D427635S

United States Patent [19]

Turchi et al.

[11] Patent Number: Des. 427,635

[45] Date of Patent: ** Jul. 4, 2000

[54] SURGICAL SIMULATION SYSTEM

[75] Inventors: **Mario Turchi**, Leonia, N.J.; **Diego Fontayne**, Montebello, N.Y.; **Richard Cunningham**, Arlington, Va.

[73] Assignee: **HT Medical Systems, Inc.**, Rockville, Md.

[**] Term: **14 Years**

[21] Appl. No.: **29/095,537**

[22] Filed: **Oct. 26, 1998**

[51] LOC (7) Cl. **19-07**

[52] U.S. Cl. **D19/60; D19/62**

[58] Field of Search D19/59, 60, 61, D19/62, 63, 64; 434/262, 267, 268, 272, 274

[56] **References Cited**

U.S. PATENT DOCUMENTS

D. 233,238	10/1974	Reid et al.	D19/60
D. 272,833	2/1984	Assche et al.	D19/62
D. 392,878	3/1998	Nordstrom et al.	D19/59
3,748,366	7/1973	Rader et al.	434/272

4,773,865	9/1988	Baldwin	434/268
5,593,306	1/1997	Kohnke	434/267
5,853,292	12/1998	Eggert et al.	434/262
5,941,710	8/1999	Lampotang et al.	434/272
5,967,790	10/1999	Strover et al.	434/274

Primary Examiner—Martie K. Holtje

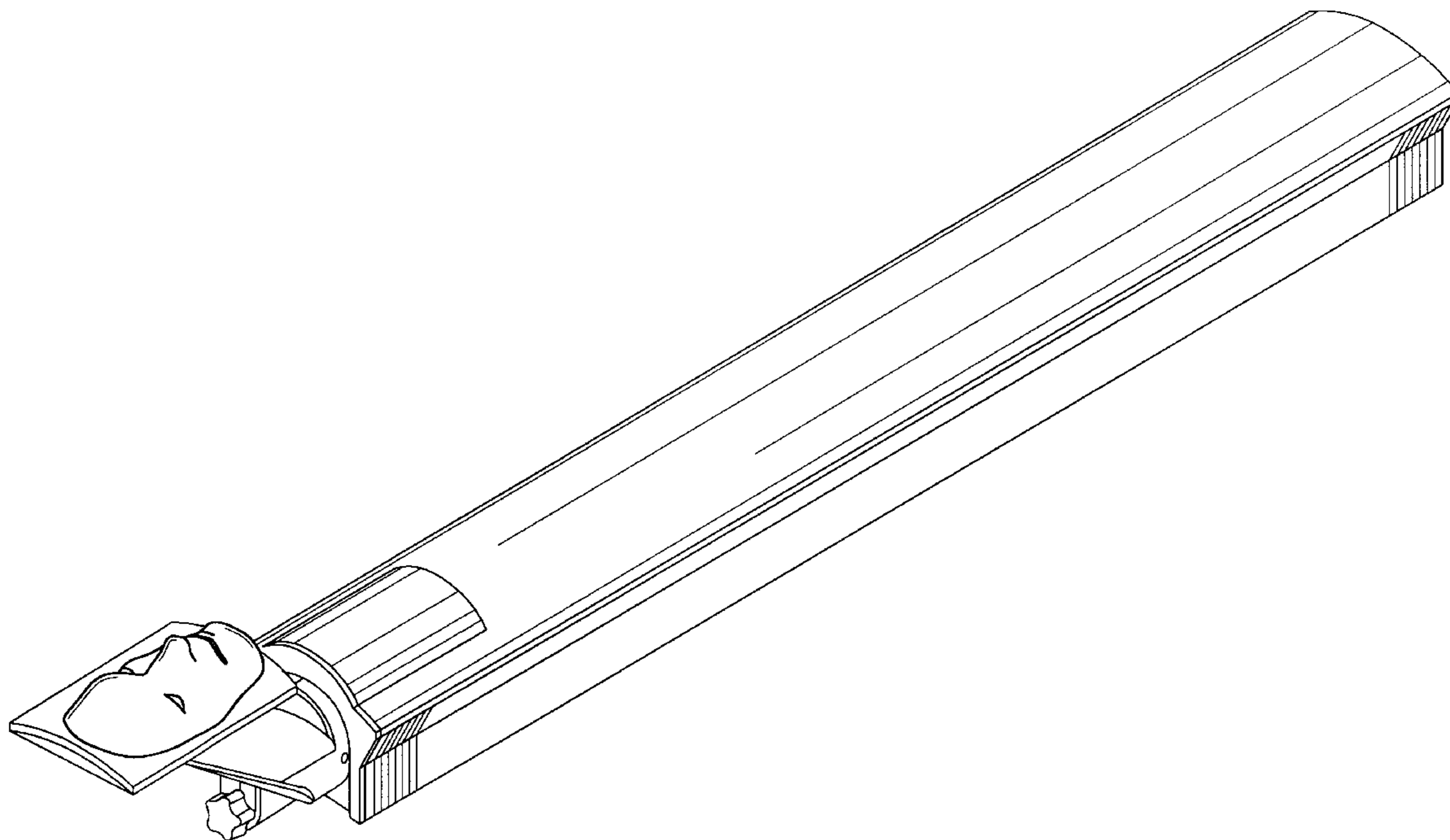
[57] **CLAIM**

The ornamental design for a surgical simulation system, substantially as shown and described.

DESCRIPTION

FIG. 1 is a top view in plan of one embodiment of a surgical simulation system showing our new design; FIG. 2 is a bottom view thereof in plan; FIG. 3 is a right side view thereof in elevation; FIG. 4 is a left side view thereof in elevation; FIG. 5 is a front view thereof in elevation; FIG. 6 is a rear view thereof in elevation; FIG. 7 is a perspective view thereof; FIG. 8 is an exploded view in perspective thereof; and, FIG. 9 is an exploded view in perspective of a second embodiment of a surgical simulation system showing our new design.

1 Claim, 6 Drawing Sheets



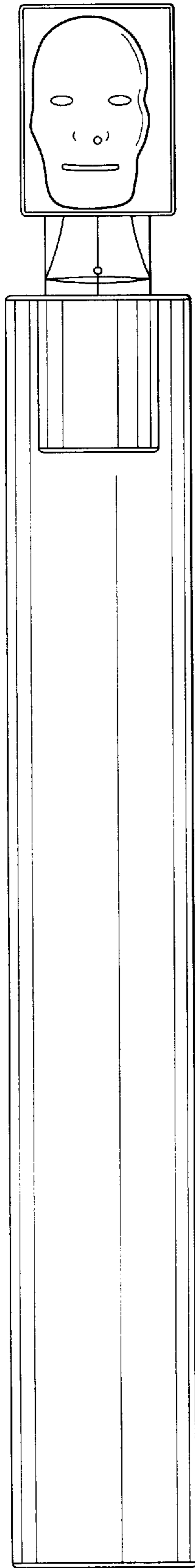


FIG. 1

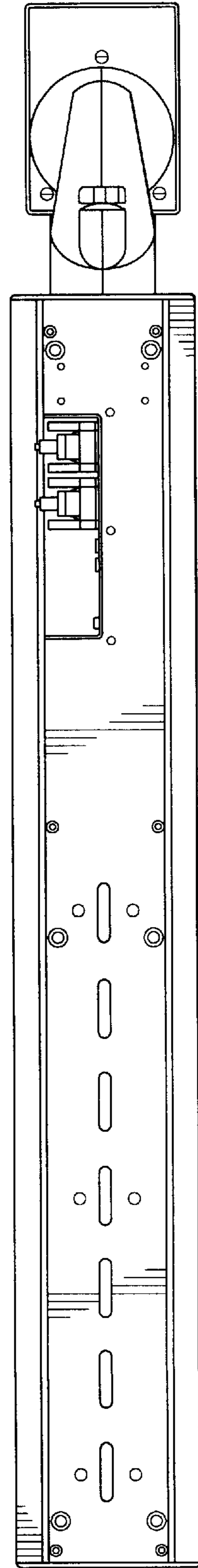


FIG. 2

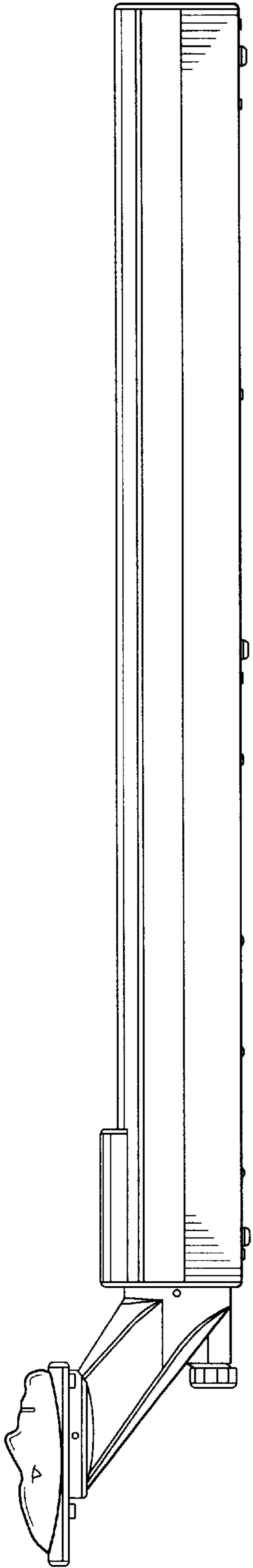


FIG.3

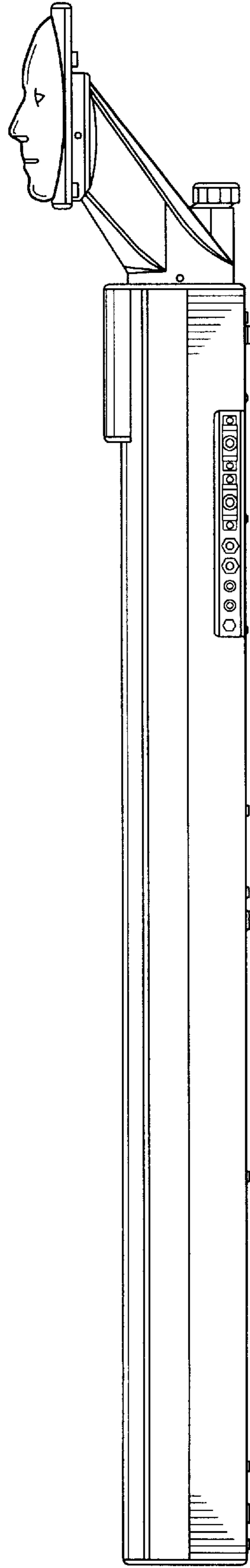


FIG.4

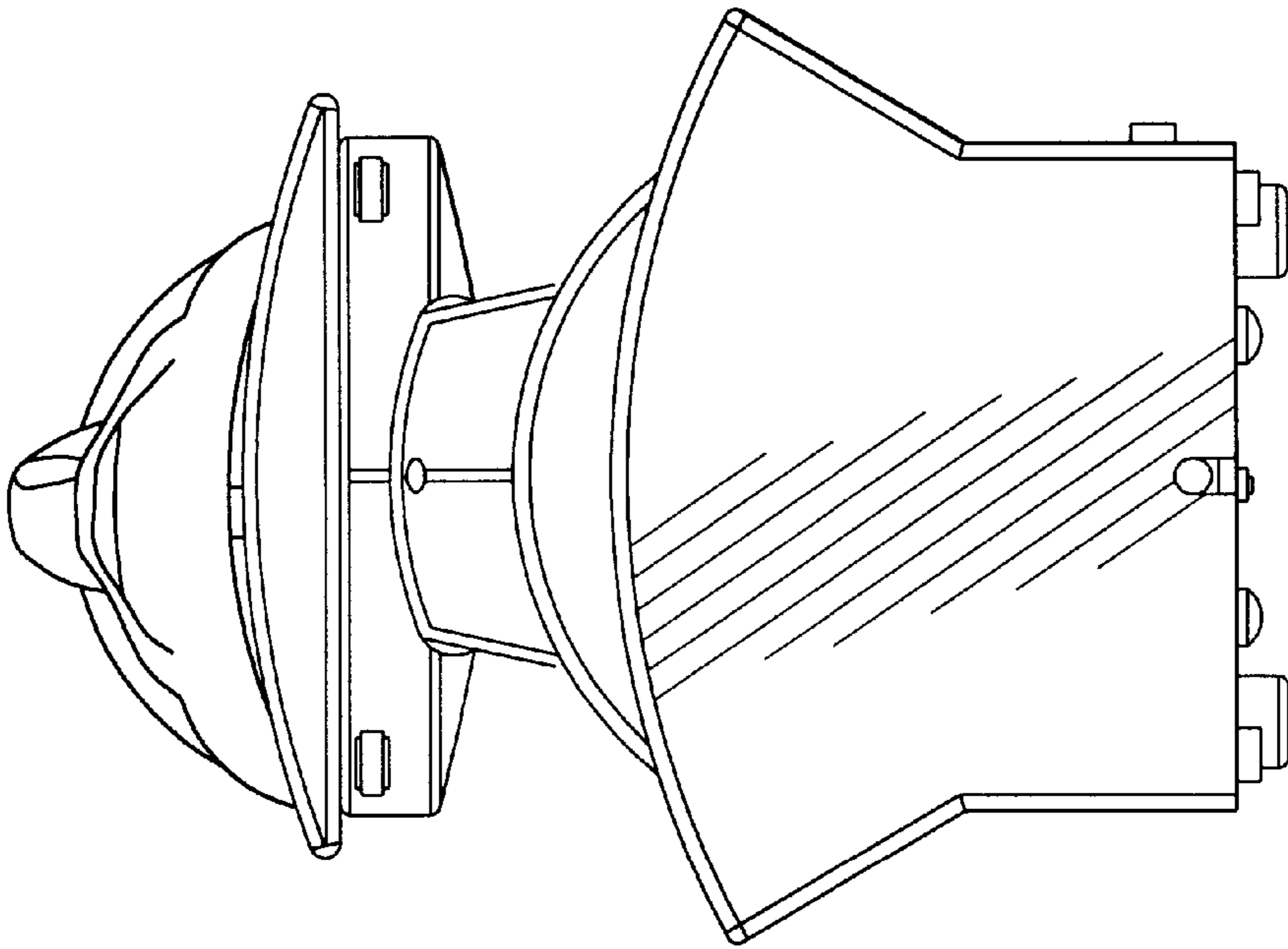


FIG.6

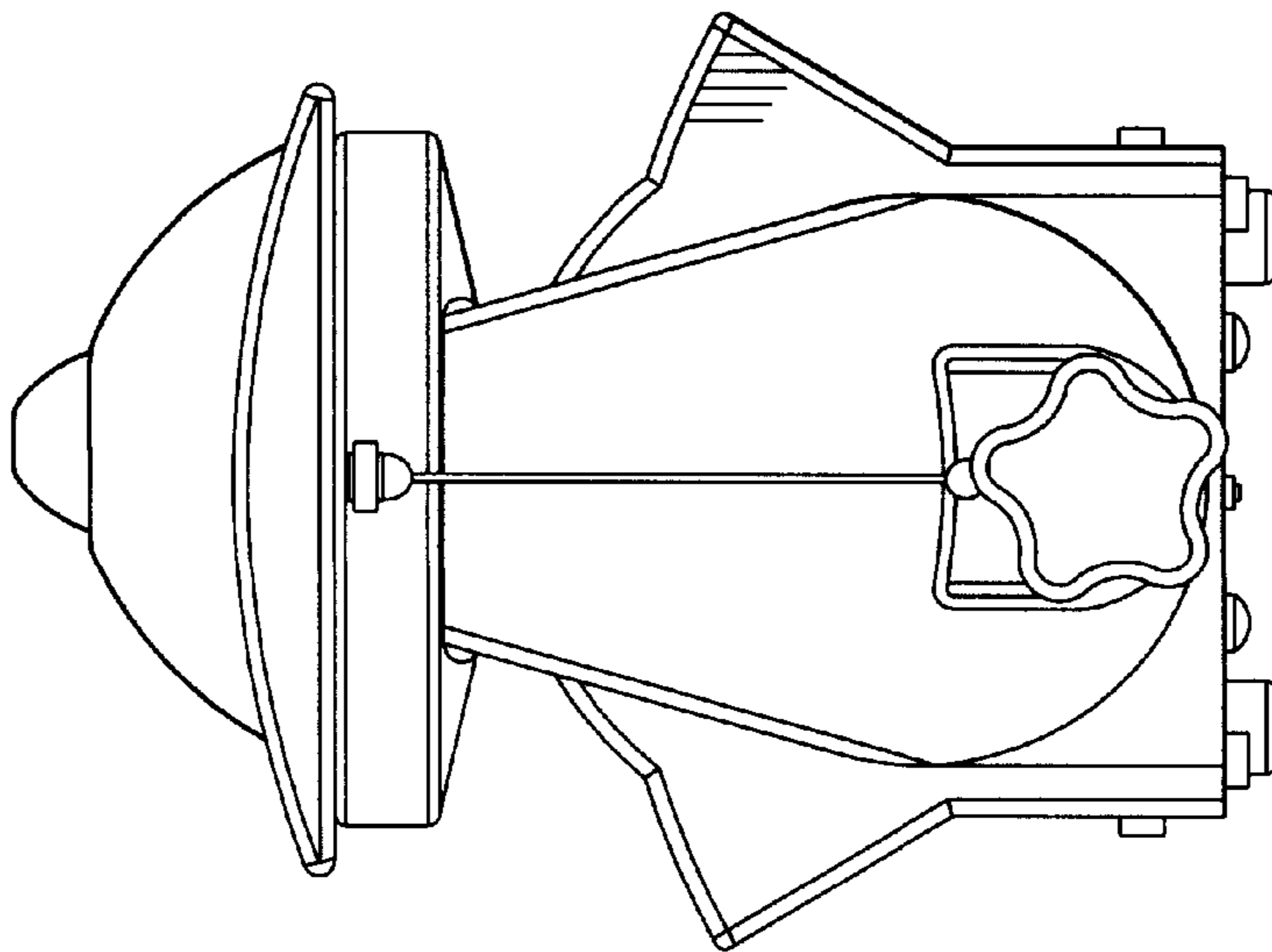


FIG.5

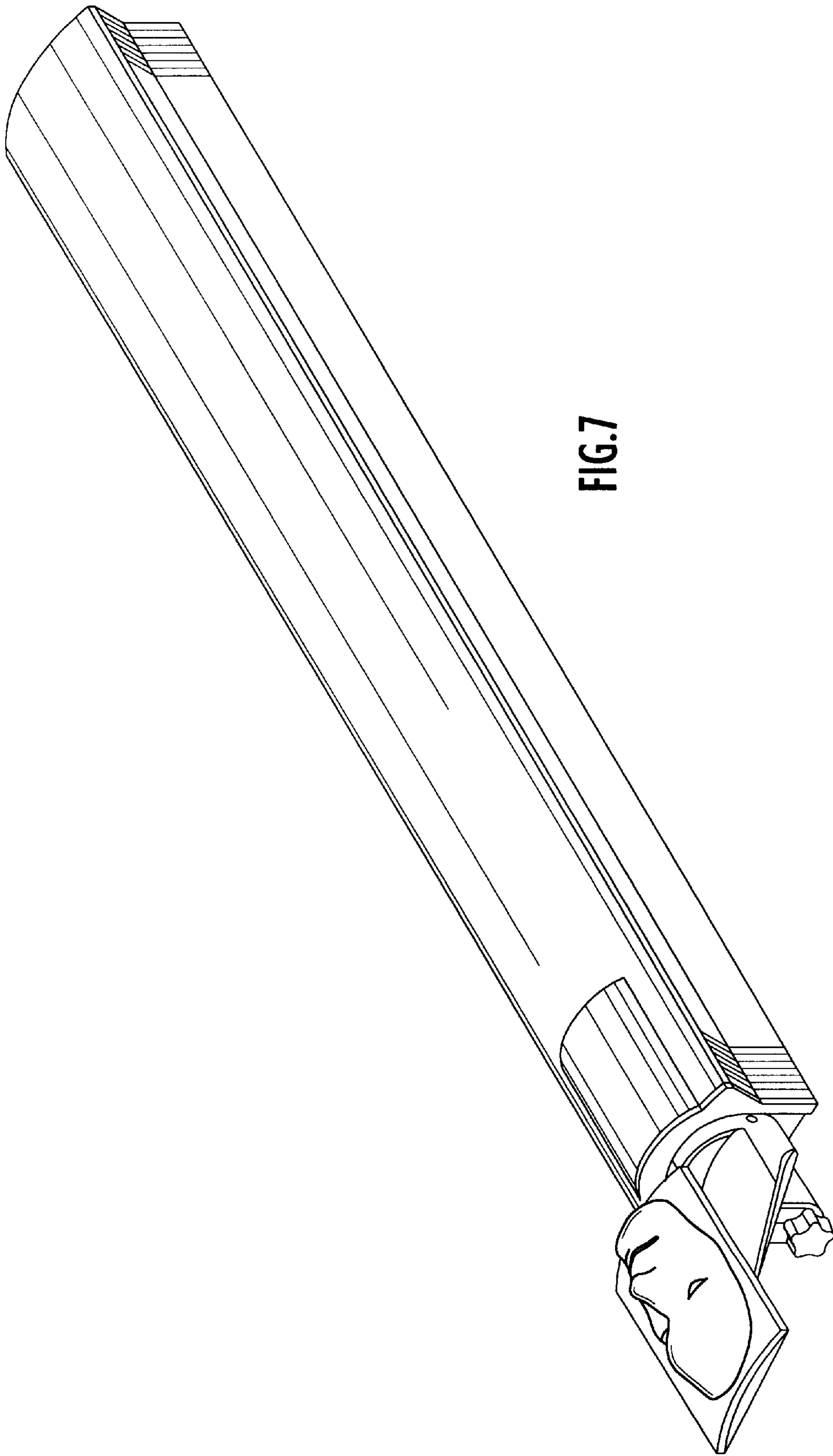


FIG. 7

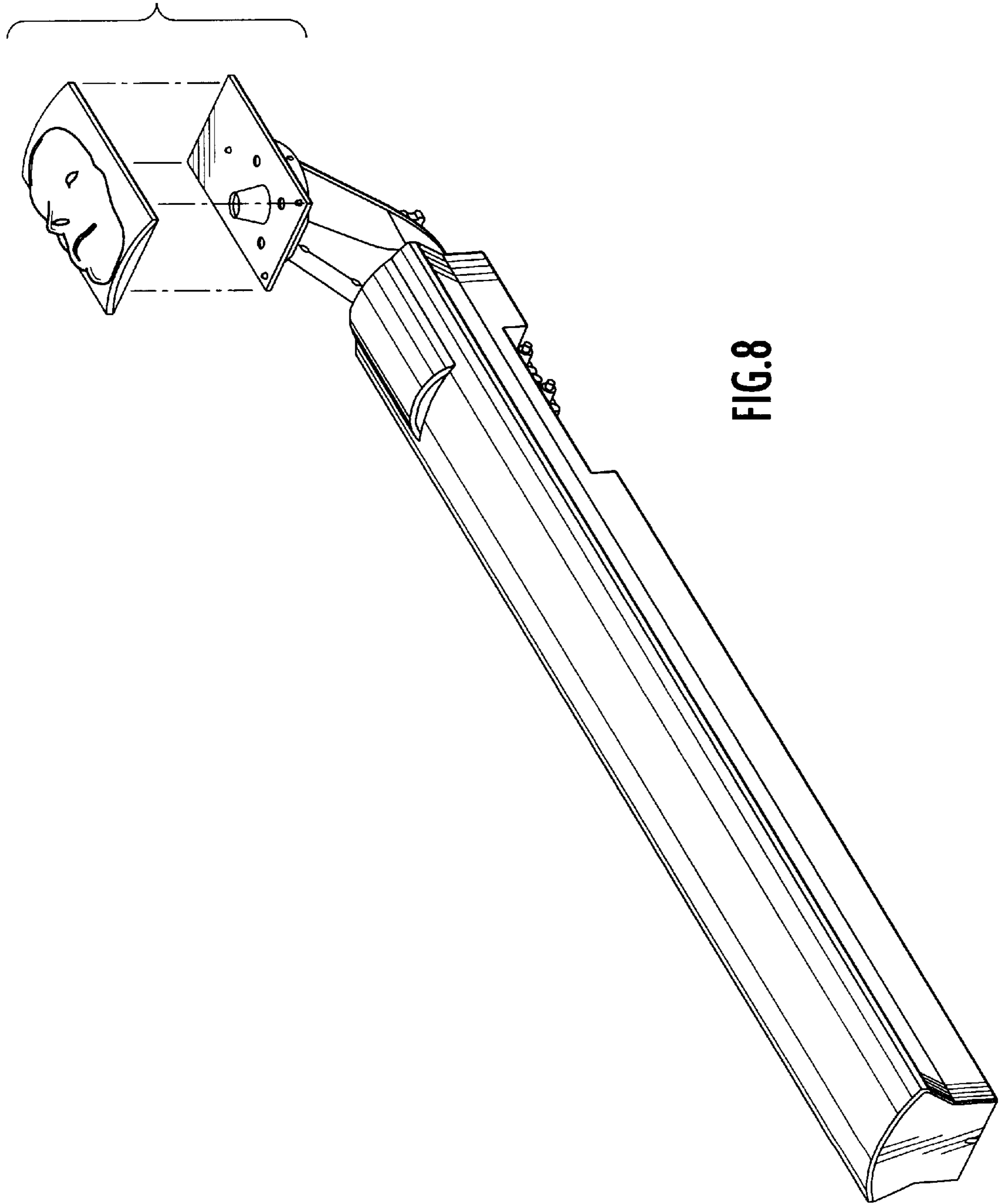


FIG.8

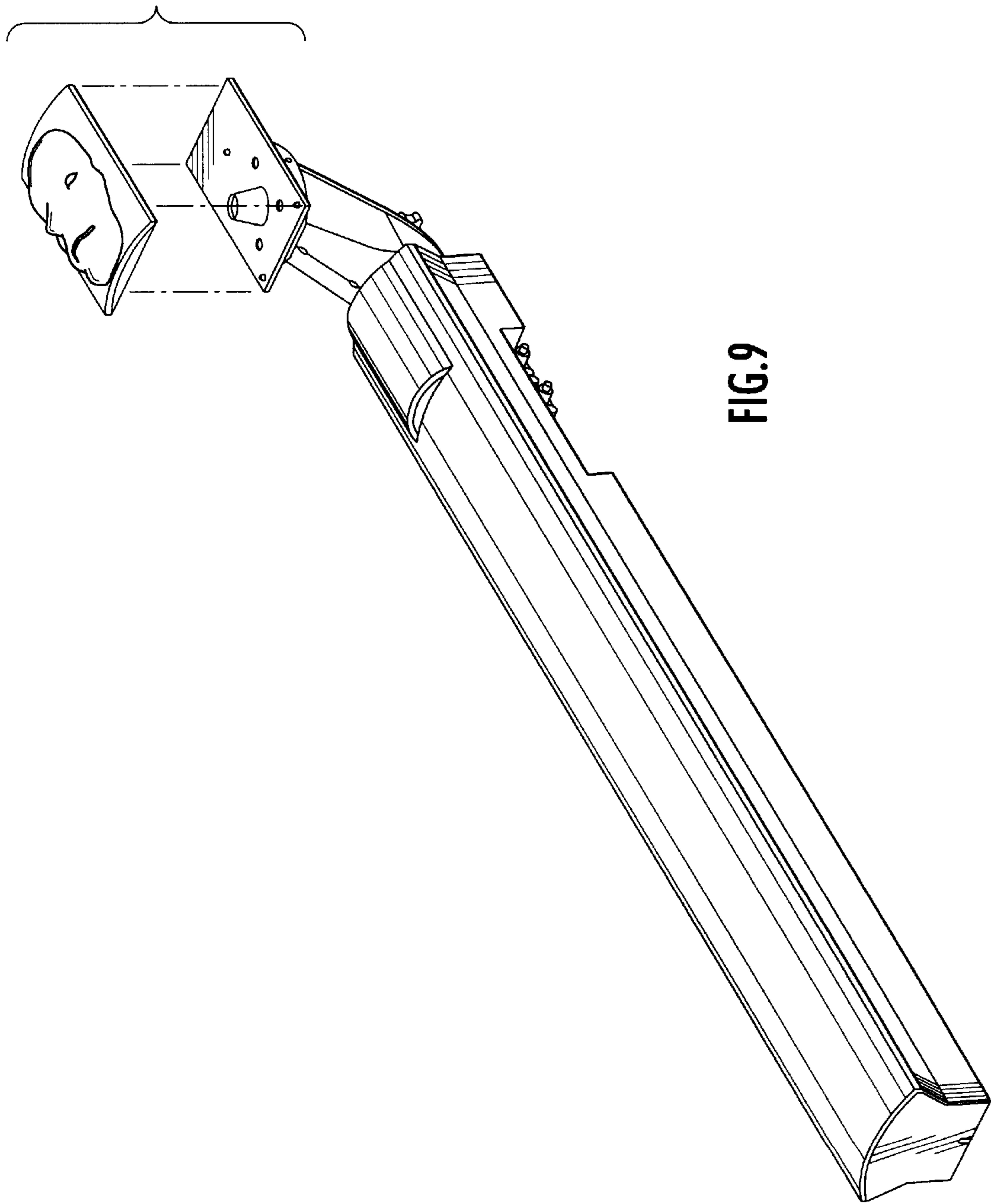


FIG.9