



US00D427627S

United States Patent [19] Ikenaga

[11] **Patent Number: Des. 427,627**
[45] **Date of Patent: ** Jul. 4, 2000**

[54] **PRINTER**

[75] Inventor: **Takashi Ikenaga**, Tokyo, Japan

[73] Assignee: **Sony Corporation**, Japan

[**] Term: **14 Years**

[21] Appl. No.: **29/086,574**

[22] Filed: **Apr. 15, 1998**

[51] **LOC (7) Cl.** **14-02**

[52] **U.S. Cl.** **D18/50**

[58] **Field of Search** D18/50, 54-55,
D18/4, 12, 14; 400/691-694, 690.1-690.4,
613, 613.1-613.4; D14/105, 114, 100, 116

[56] **References Cited**

U.S. PATENT DOCUMENTS

D. 295,853	5/1988	Ooie	D18/55
D. 320,616	10/1991	Takahashi	D18/55
D. 322,091	12/1991	Tokuda	D18/54
D. 334,022	3/1993	Byun	D18/50
D. 334,402	3/1993	Matsumoto et al.	D18/50
D. 369,826	5/1996	Ichiyoshi	D18/50
D. 374,031	9/1996	Ikenaga	D18/50
D. 381,678	7/1997	Nakamura	D18/50

OTHER PUBLICATIONS

Catalog "Color Video Printer UP-5500", 4 sheets, Sony (May 1997).

Primary Examiner—Cathy Anne MacCormac

Attorney, Agent, or Firm—Rader, Fishman & Grauer

[57] **CLAIM**

The ornamental design for a printer, as shown and described.

DESCRIPTION

FIG. 1 is a perspective view of a printer showing my new design;

FIG. 2 is a top plan view thereof;

FIG. 3 is a front elevational view thereof;

FIG. 4 is a left side elevational view thereof;

FIG. 5 is a right side elevational view thereof;

FIG. 6 is a rear elevational view thereof;

FIG. 7 is a bottom plan view thereof; and

FIG. 8 is a perspective view, wherein the lid portion is in the open position.

FIG. 9 is a perspective view of a second embodiment of FIG. 1;

FIG. 10 is a top plan view of FIG. 9;

FIG. 11 is a bottom plan view of FIG. 9;

FIG. 12 is a left side elevational view of FIG. 9;

FIG. 13 is a right side elevational view of FIG. 9;

FIG. 14 is a front elevational view of FIG. 9;

FIG. 15 is a rear elevational view of FIG. 9; and,

FIG. 16 is a perspective view of FIG. 9; wherein the lid portion in the open position.

1 Claim, 10 Drawing Sheets

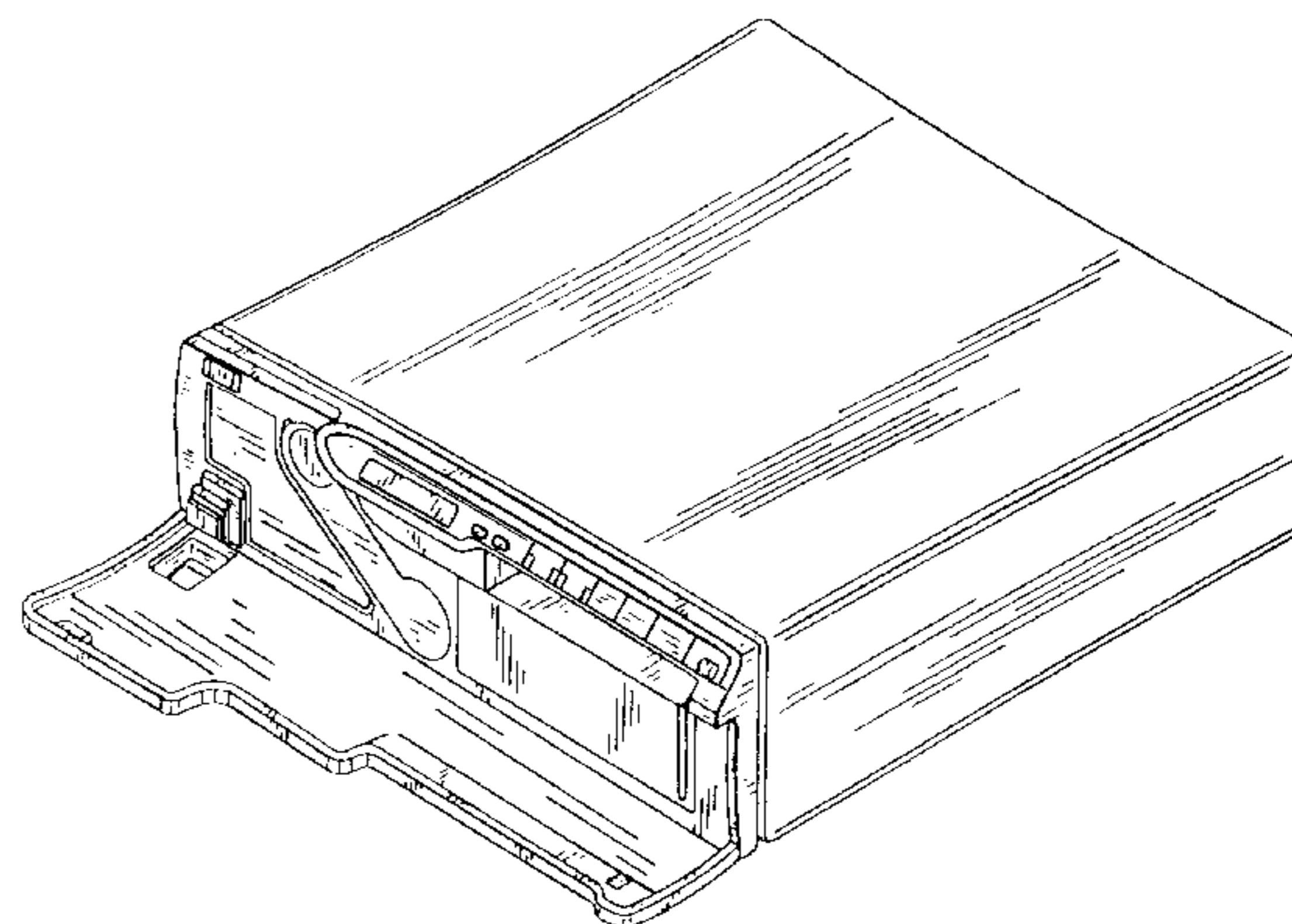
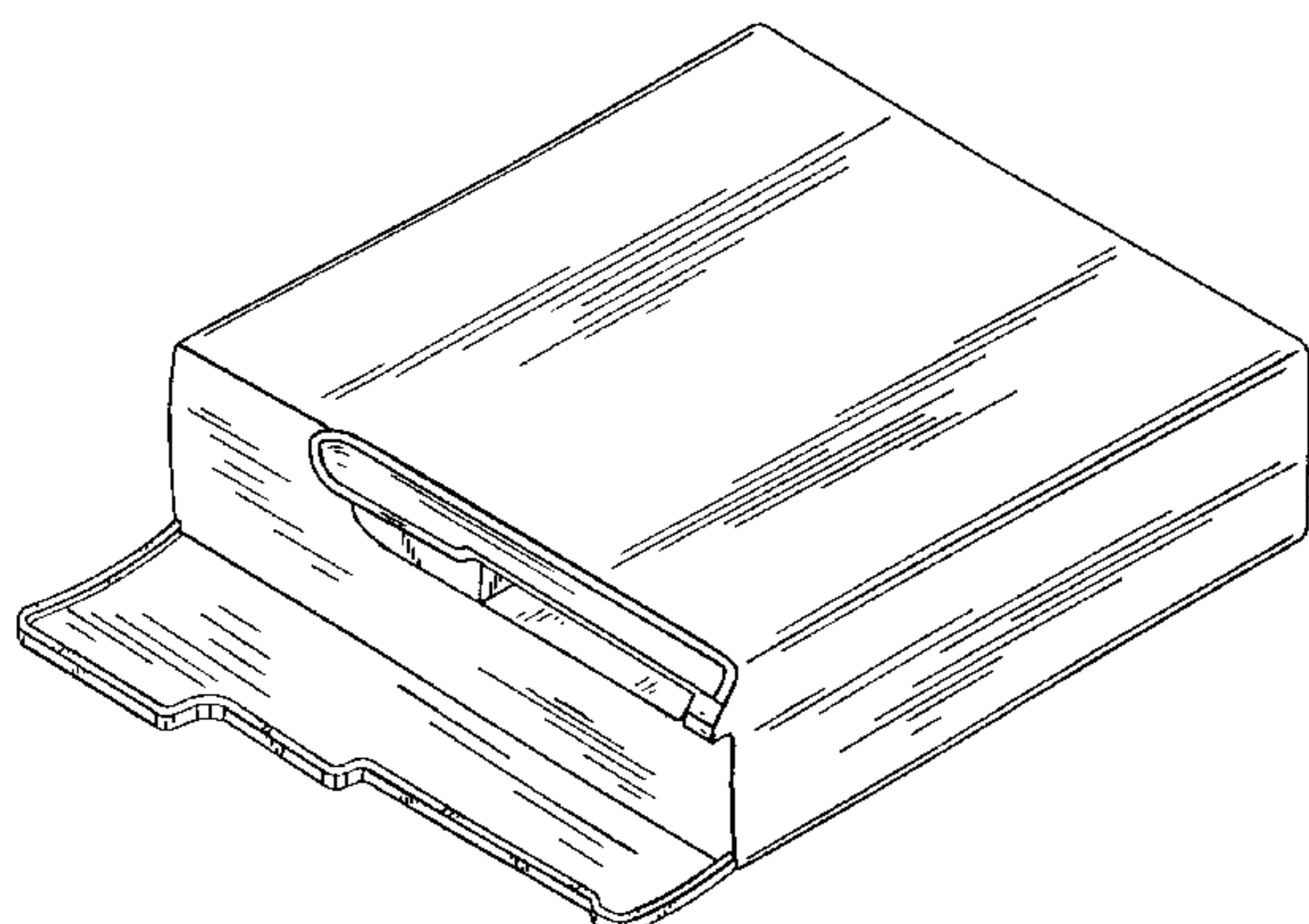
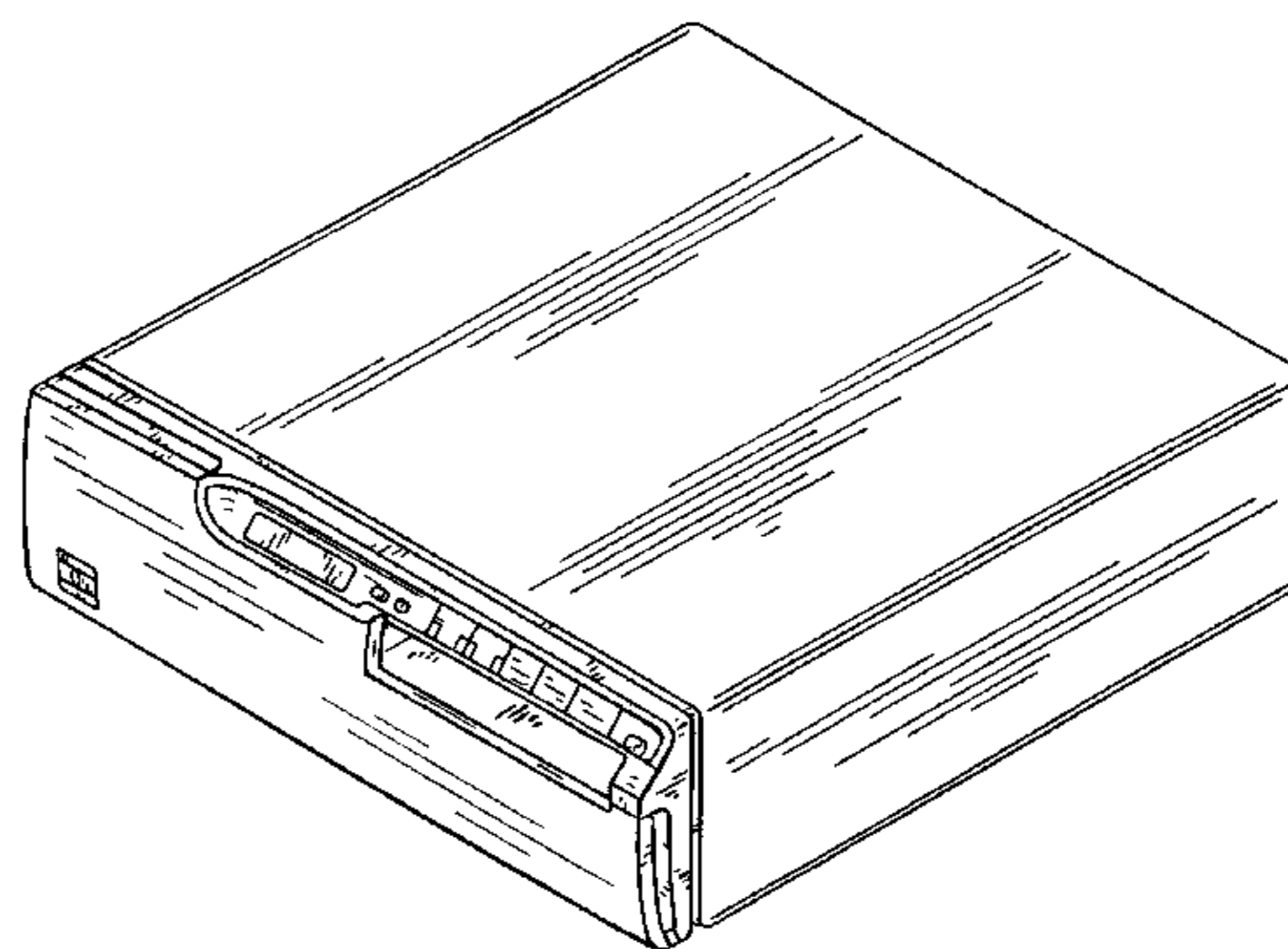
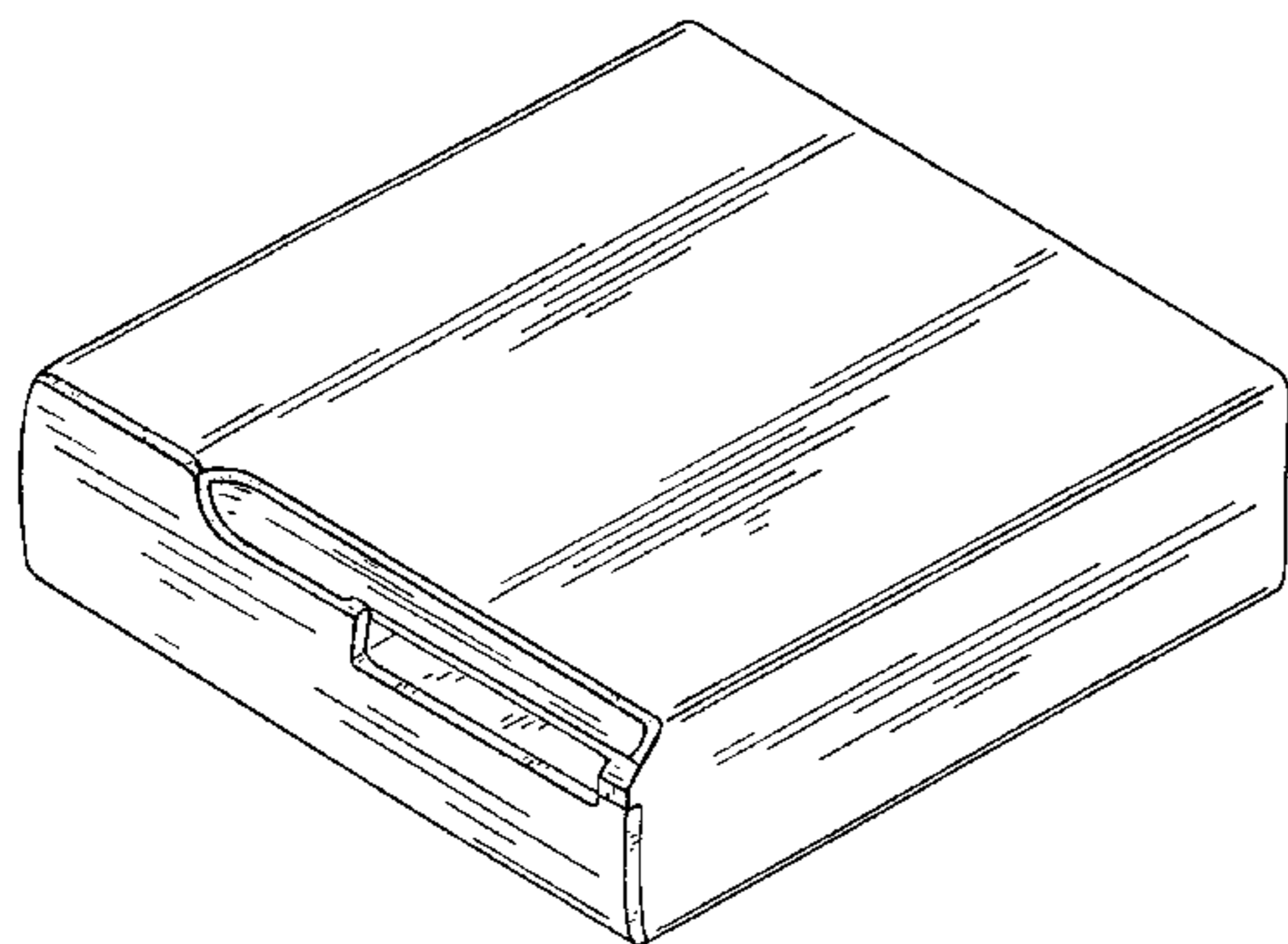


FIG. 1

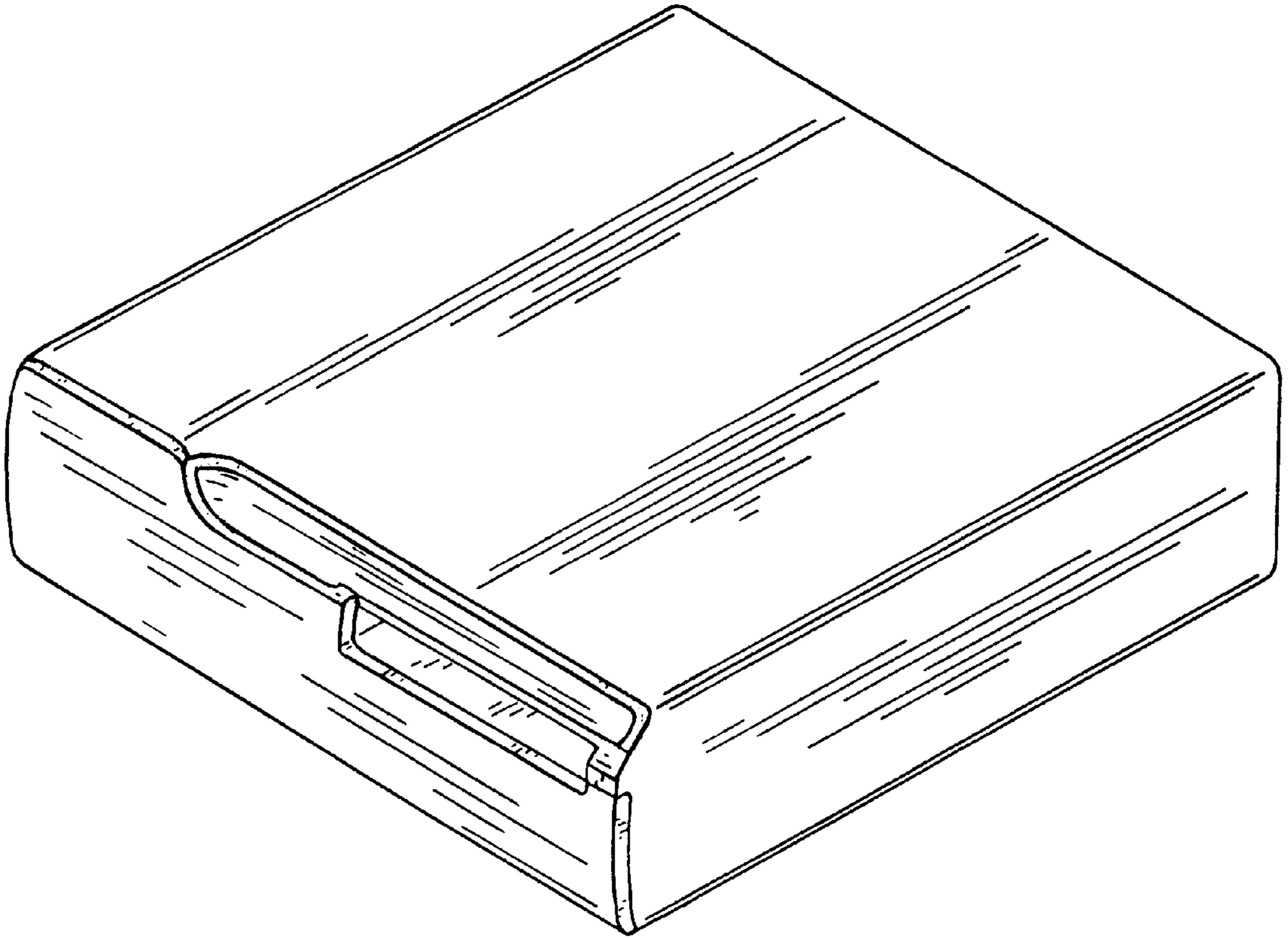


FIG. 2

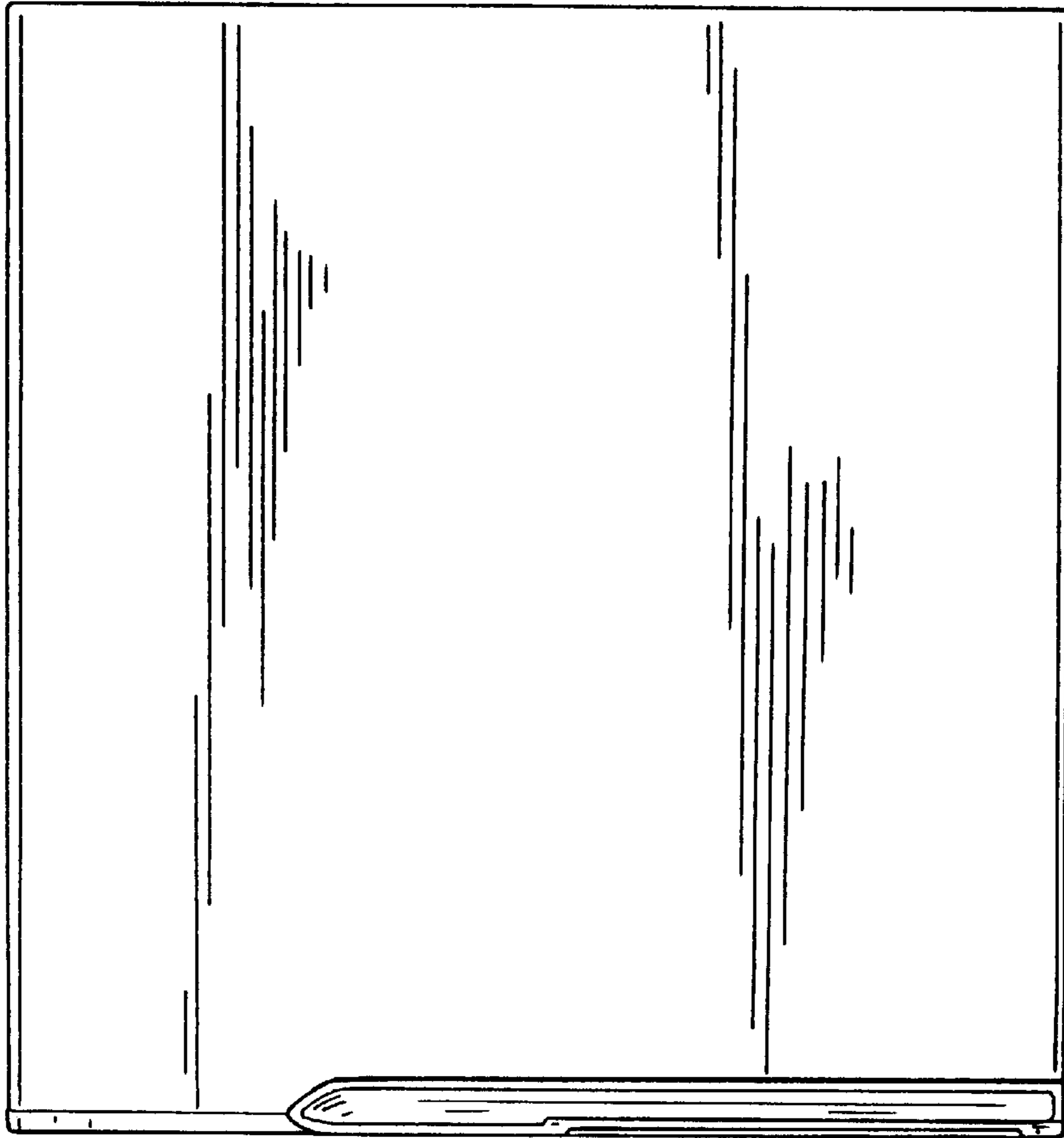


FIG. 3

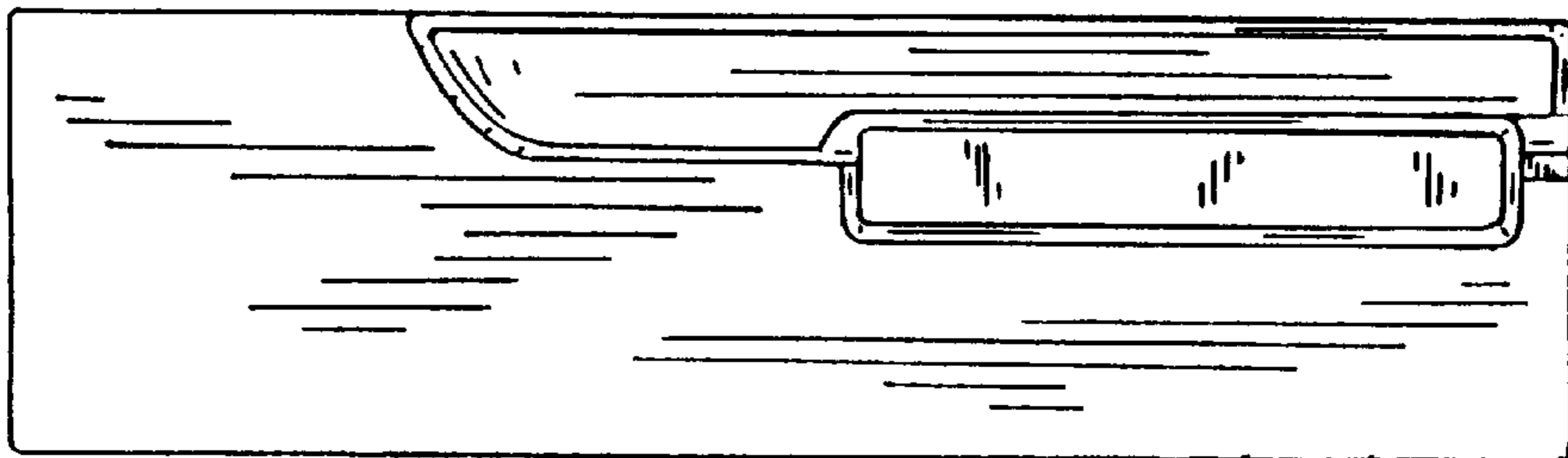


FIG. 4

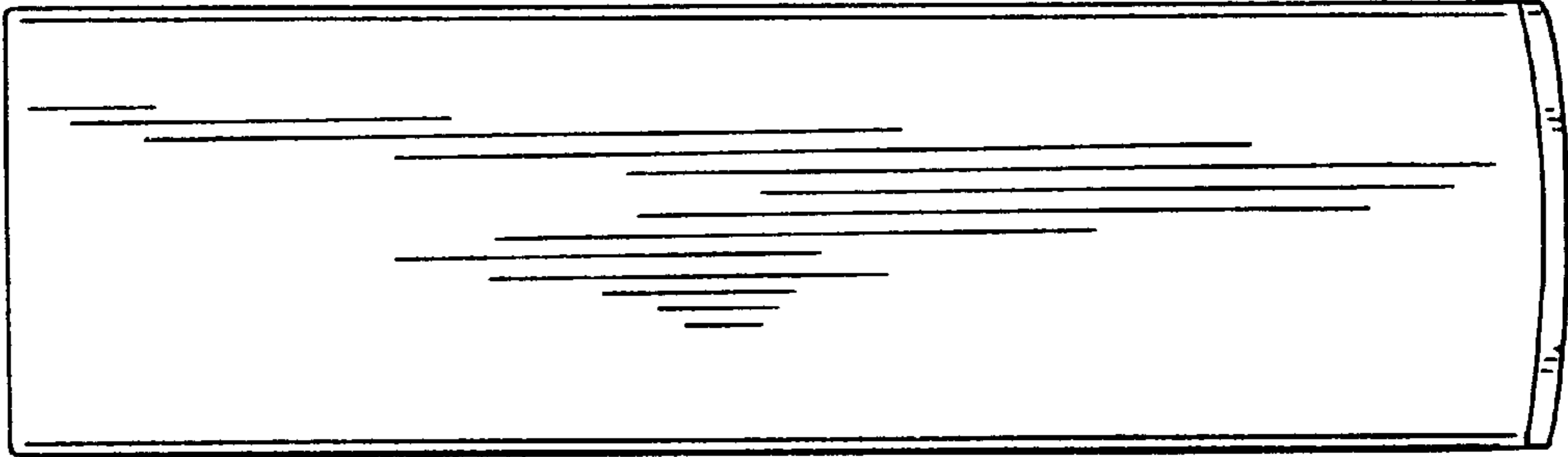


FIG. 5

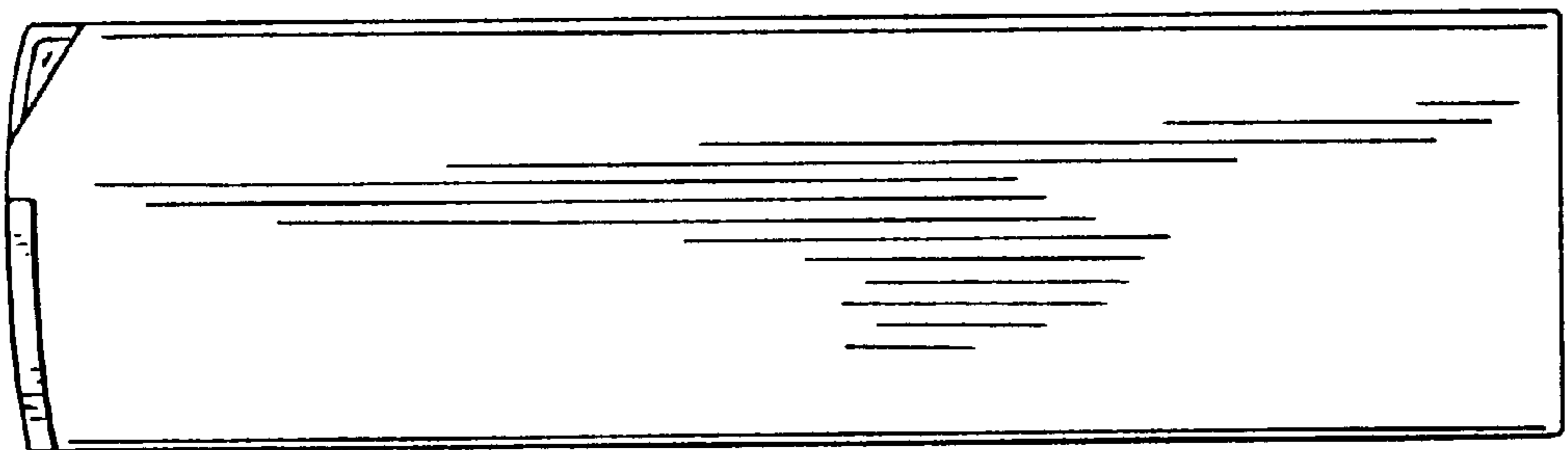


FIG. 6

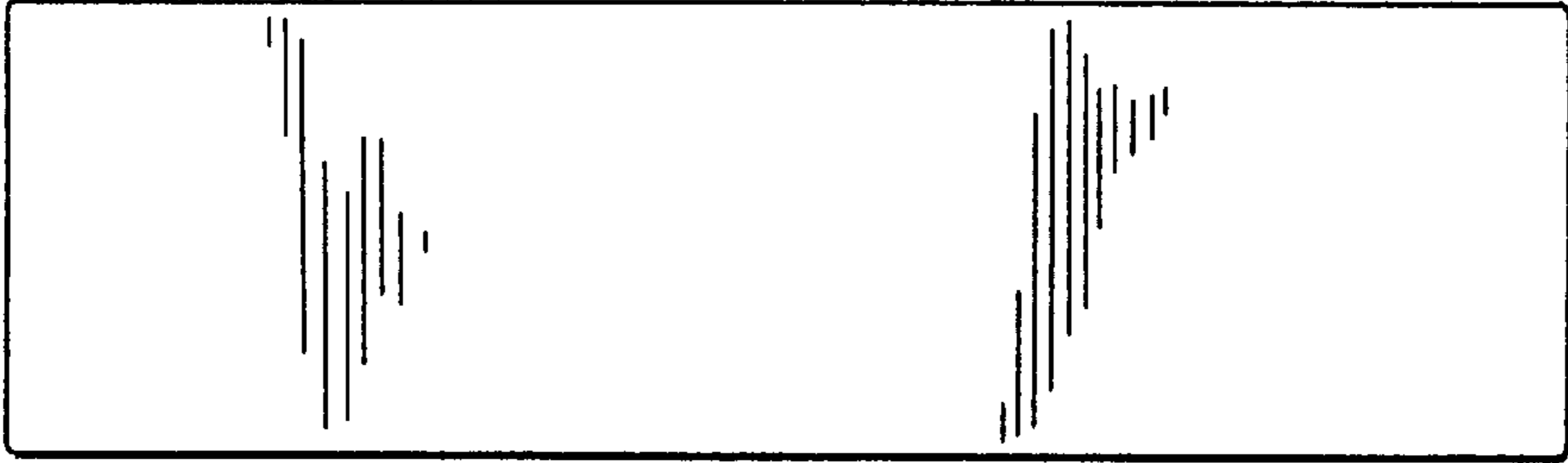


FIG. 7

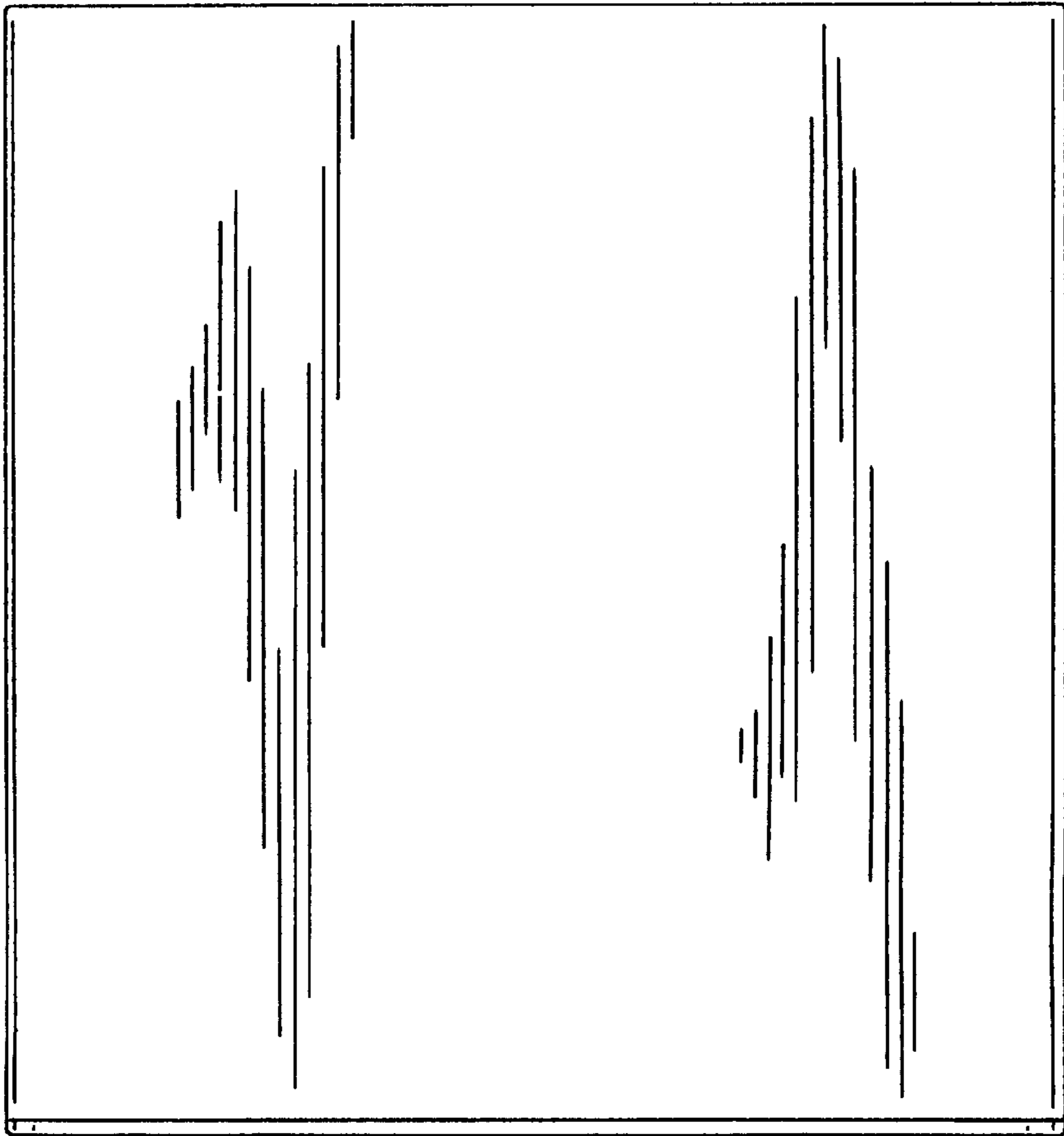


FIG. 8

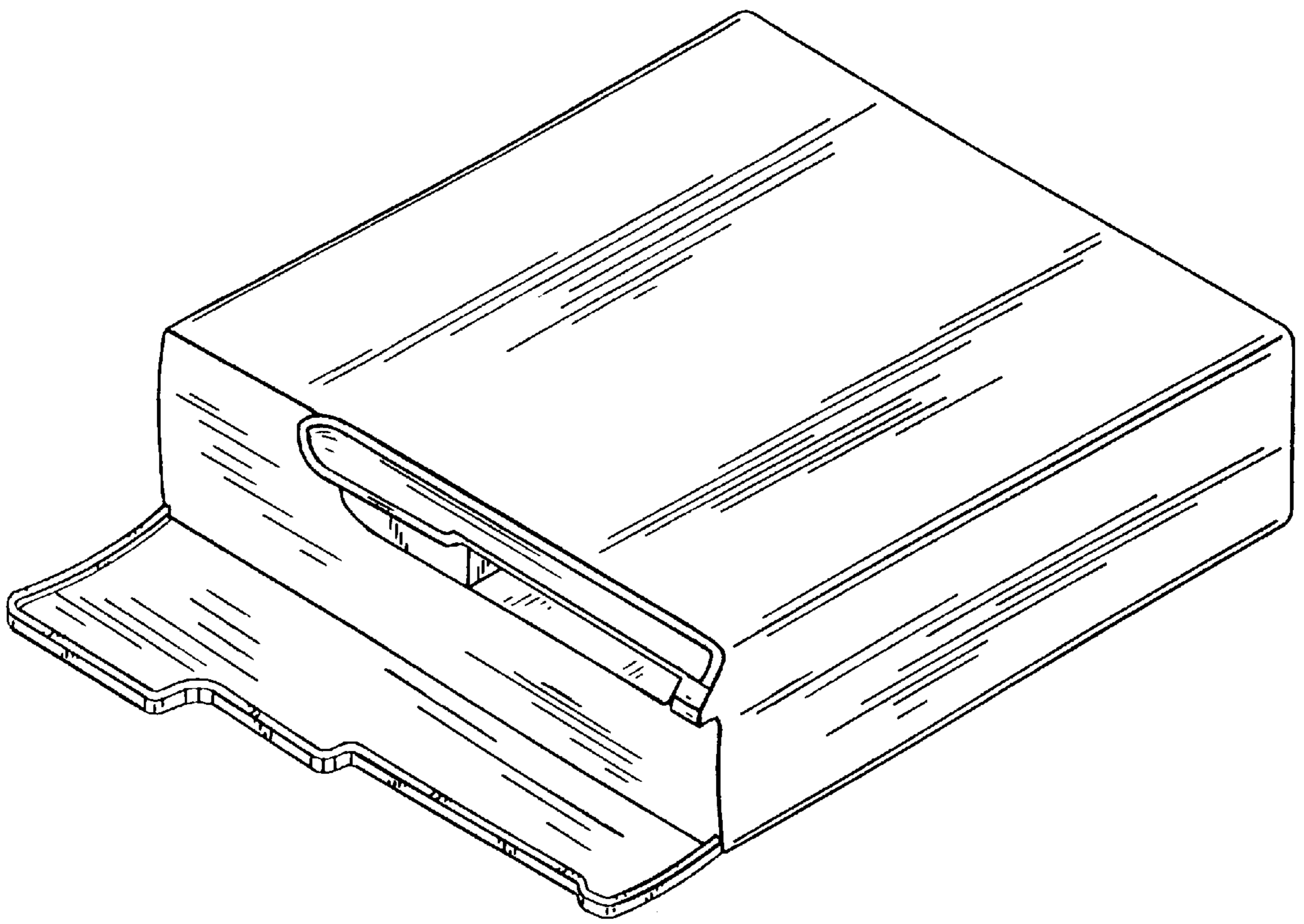


FIG.9

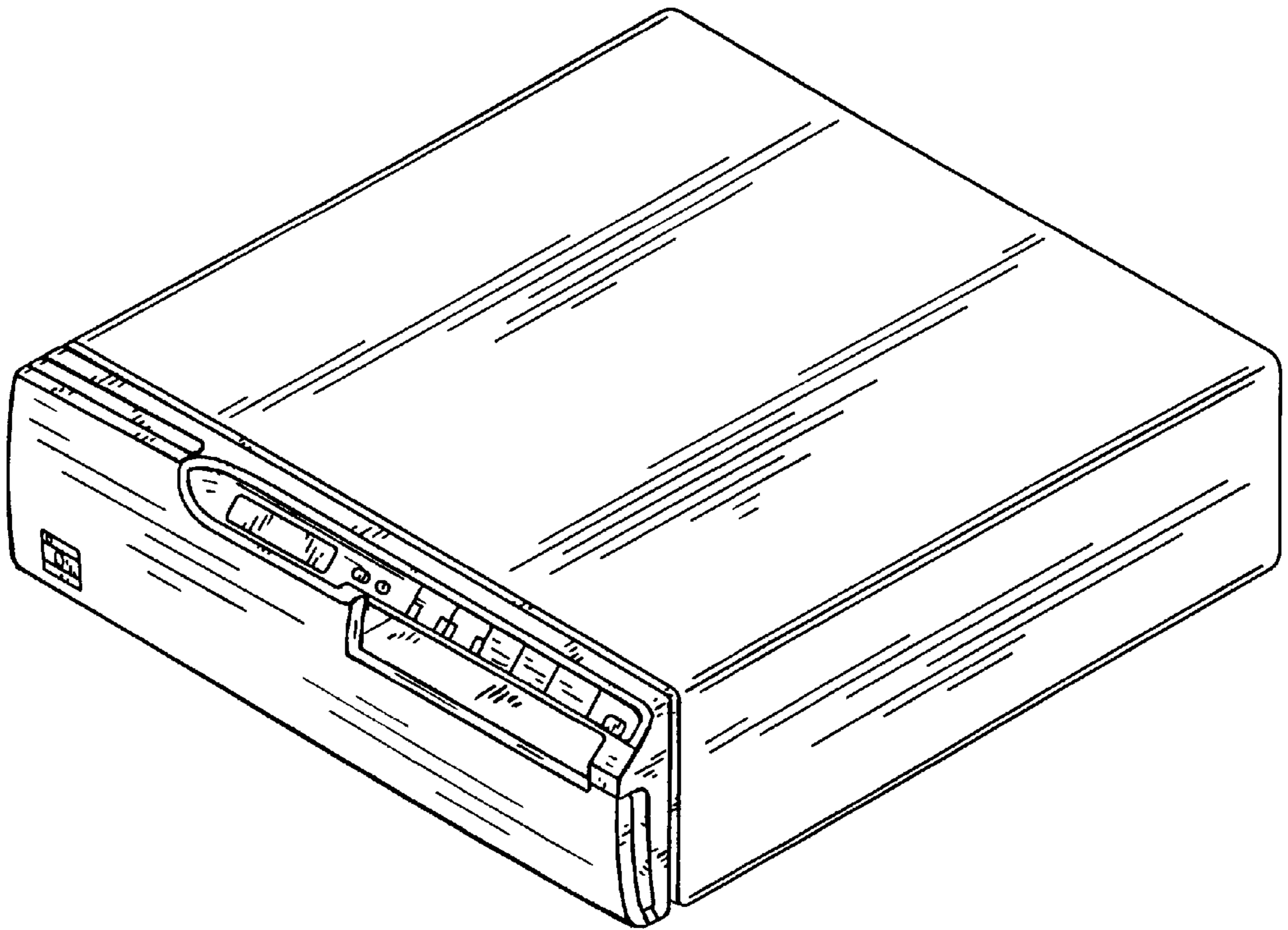


FIG.10

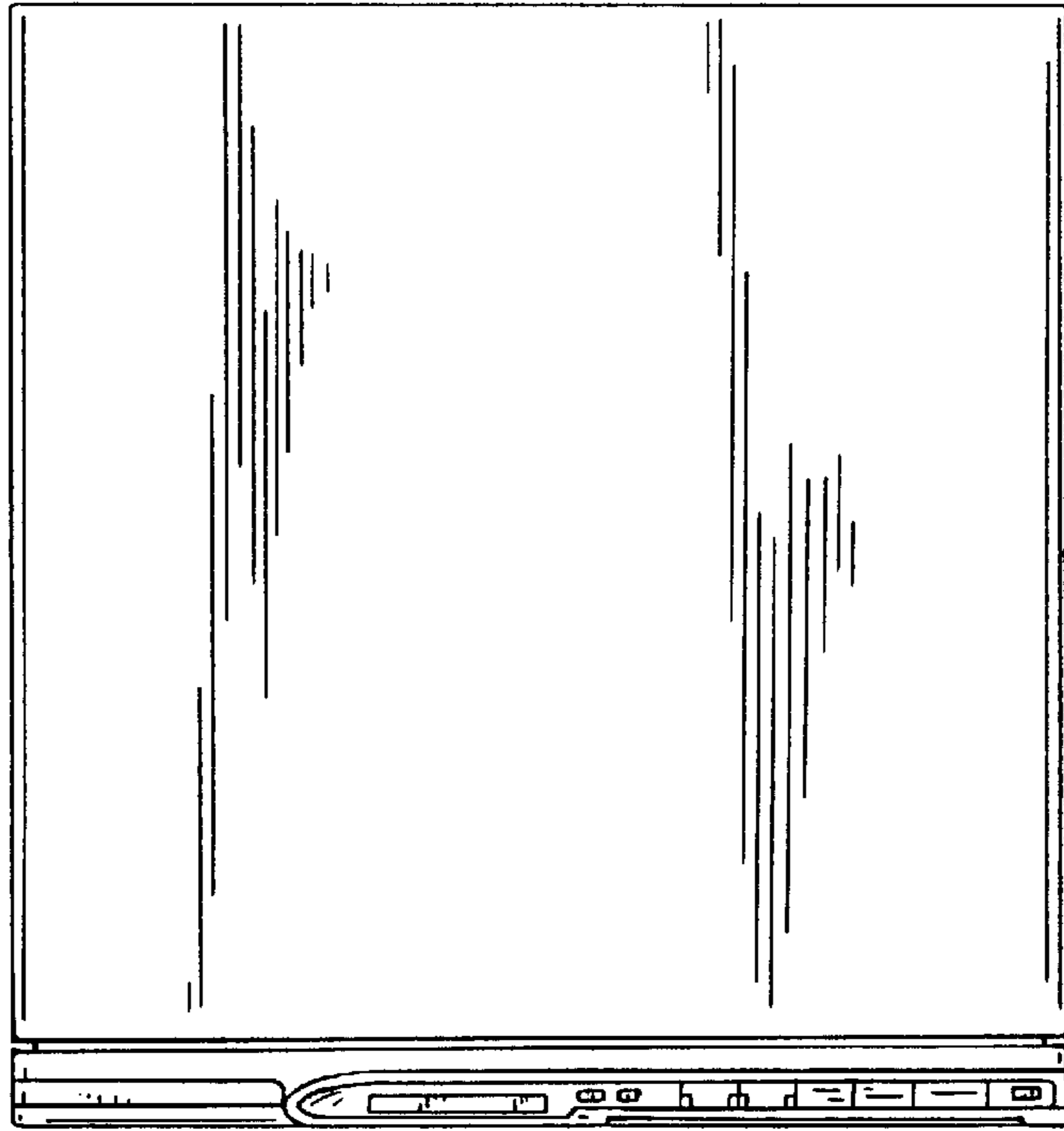


FIG.11

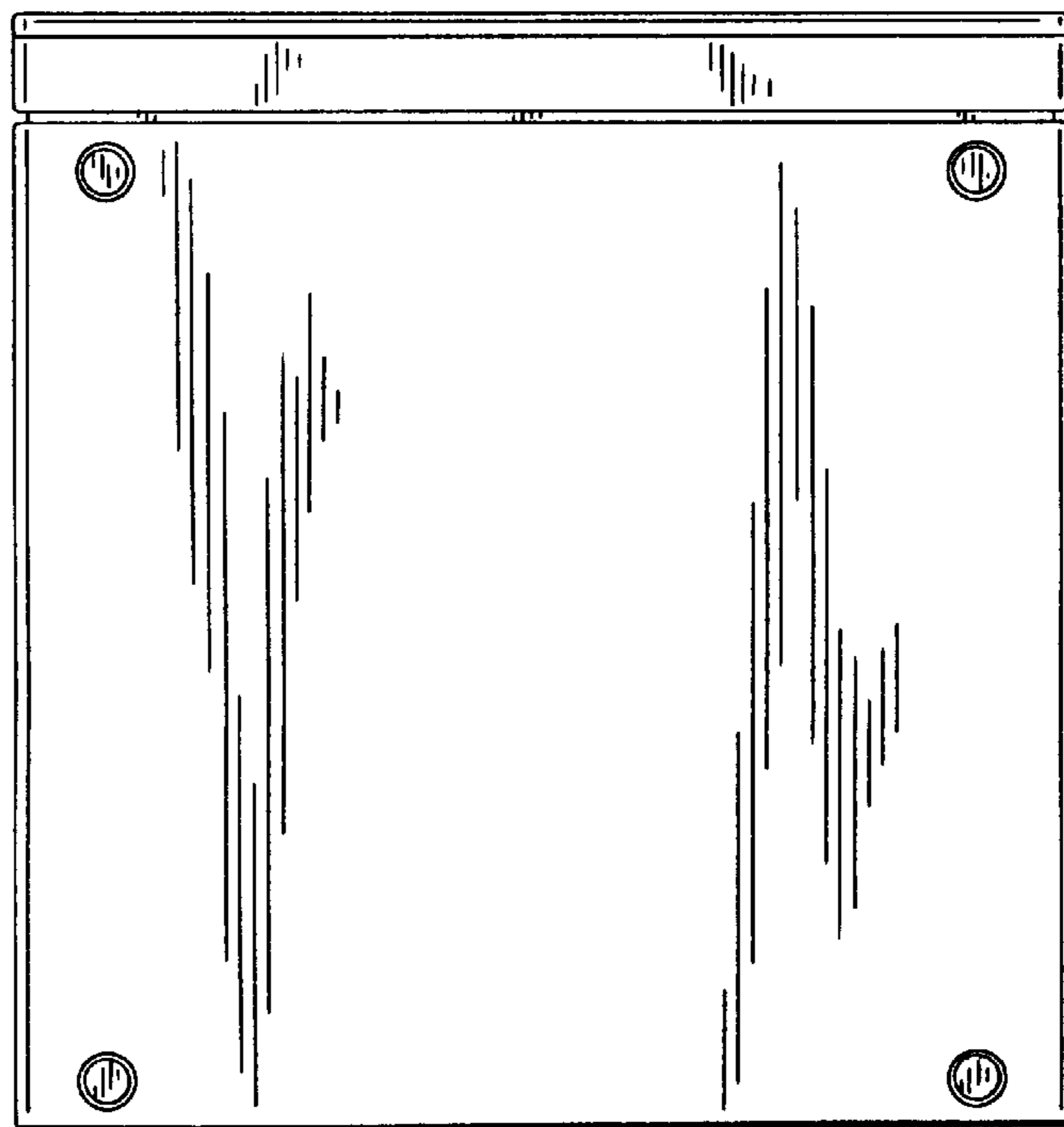


FIG. 12

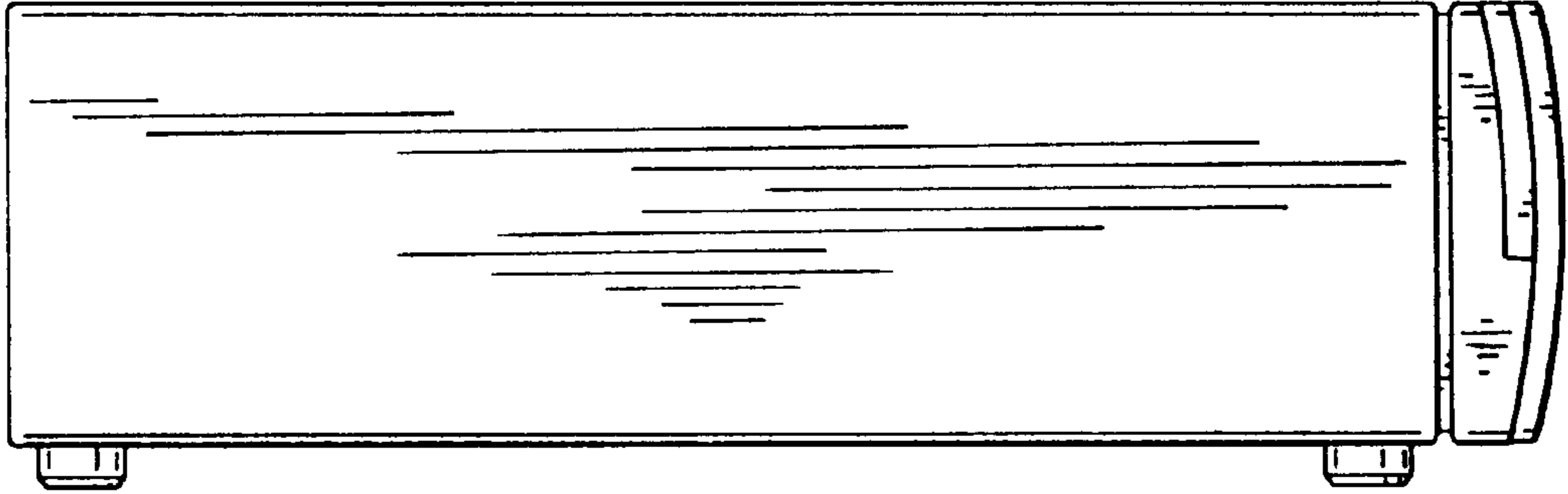


FIG. 13

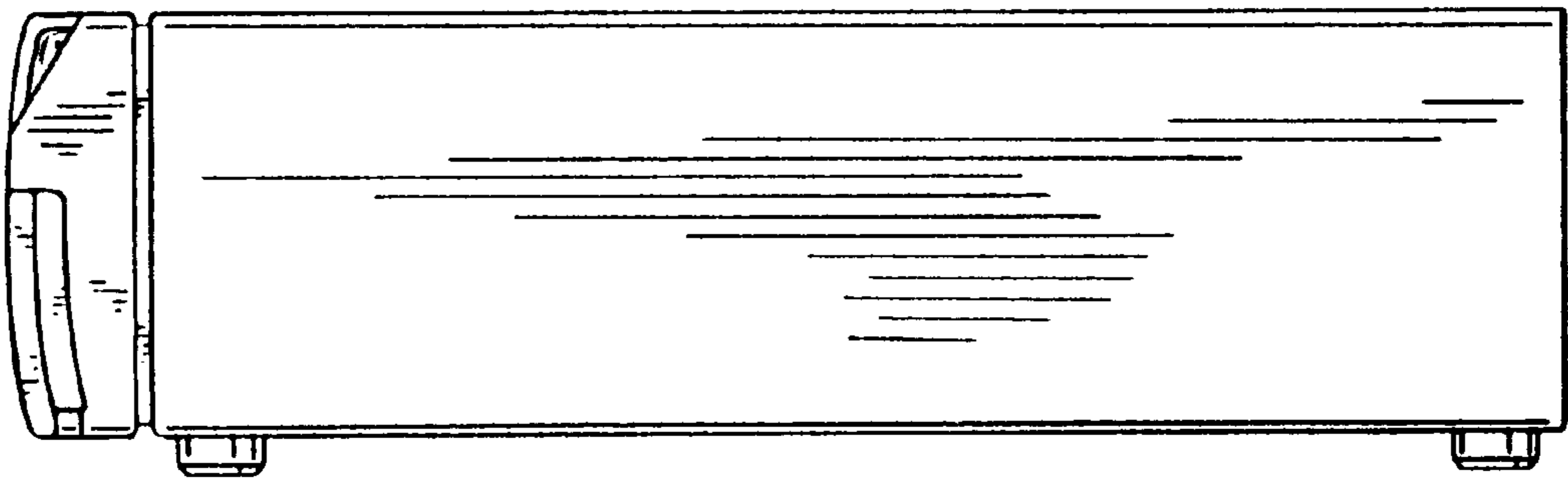


FIG.14

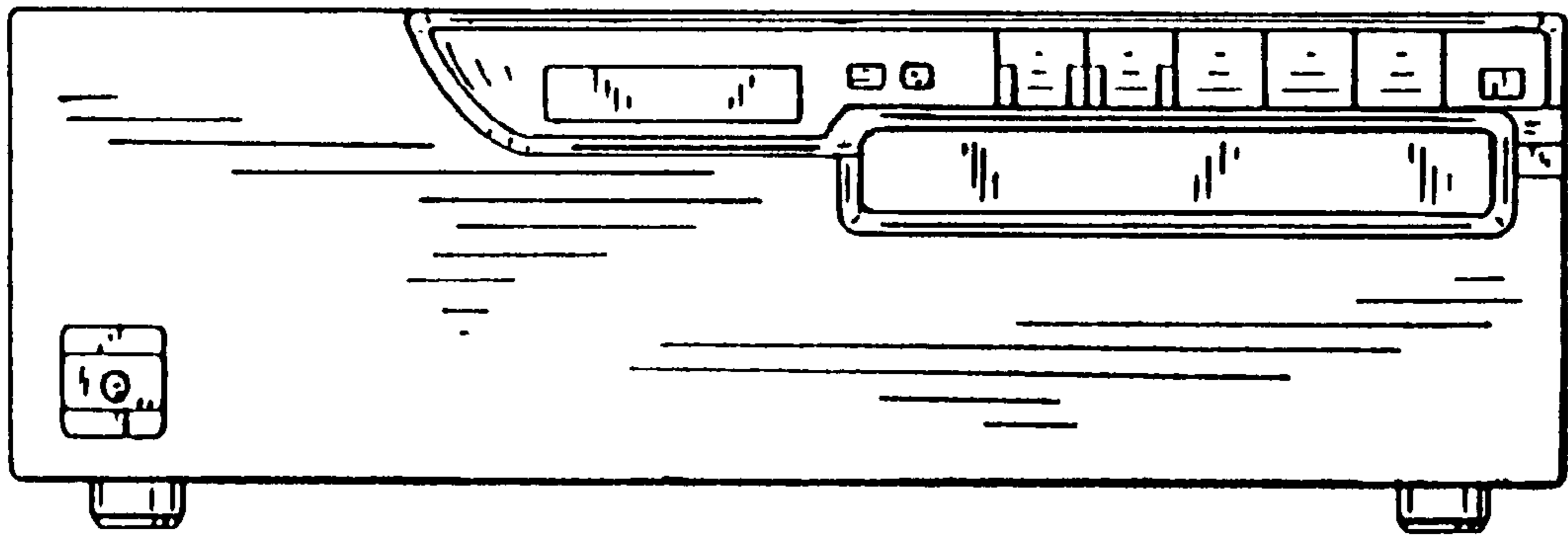


FIG.15

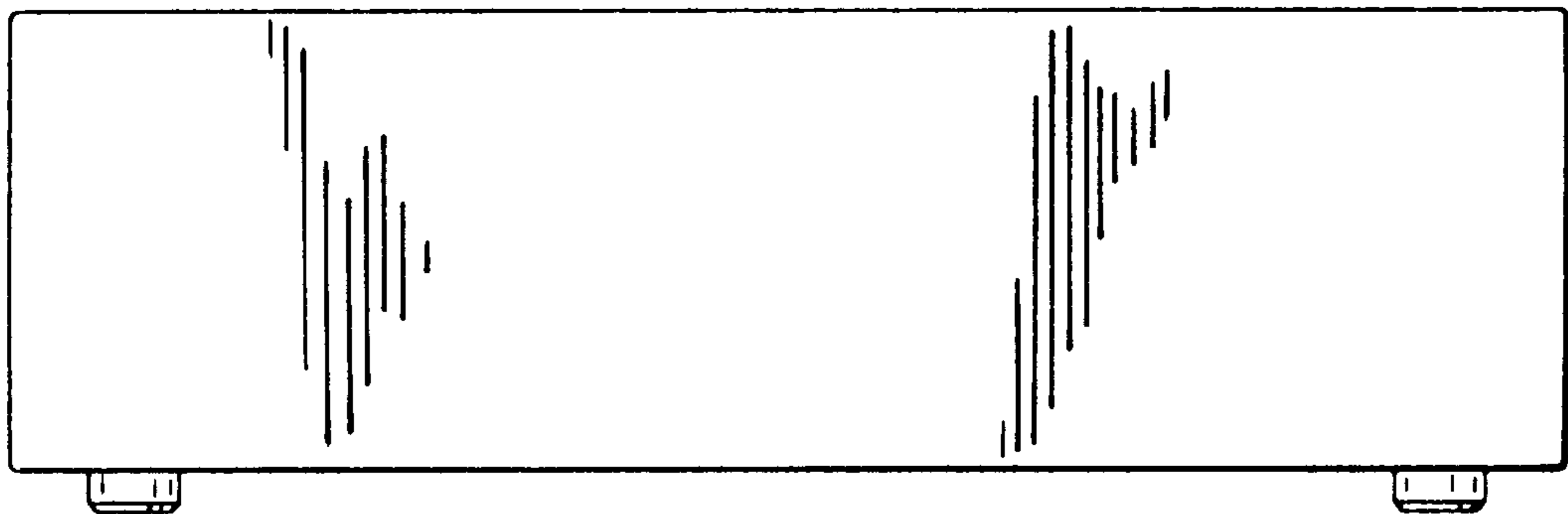


FIG.16

