



US00D427622S

United States Patent [19]
Conway

[11] **Patent Number: Des. 427,622**
[45] **Date of Patent: ** Jul. 4, 2000**

[54] **EYEWEAR**

[75] Inventor: **Simon M. Conway**, Lima, N.Y.

[73] Assignee: **Bausch & Lomb Incorporated**,
Rochester, N.Y.

[**] Term: **14 Years**

[21] Appl. No.: **29/087,559**

[22] Filed: **May 5, 1998**

[51] **LOC (7) Cl.** **16-06**

[52] **U.S. Cl.** **D16/326**

[58] **Field of Search** D16/101, 300-330,
D16/335; 351/41, 44, 51, 52, 108; 2/447,
448

[56] **References Cited**

U.S. PATENT DOCUMENTS

D. 204,956	5/1966	Ramp	D57/1
D. 309,149	7/1990	Pouilloux	D16/102
D. 330,395	10/1992	Simioni	D21/102
D. 374,026	9/1996	Chen	D16/330
D. 377,037	12/1996	Stolt	D16/306
2,482,195	9/1949	Martin	.	
3,165,754	1/1965	Rodgers et al.	.	
3,402,005	9/1968	Liautaud et al.	D16/300
3,582,194	6/1971	Liautaud	351/156
4,022,524	5/1977	Florio	351/83
4,196,982	4/1980	Watkins	351/86
5,137,242	8/1992	Reath	248/309.1
5,181,051	1/1993	Townsend	351/52
5,270,743	12/1993	Hofmair et al.	351/86

5,323,189	6/1994	Contreras	351/118
5,537,161	7/1996	Monroe	351/51
5,712,697	1/1998	Walton	351/44

FOREIGN PATENT DOCUMENTS

DM/031	667	2/1994	Hague Agreement	.
DM/034	262	11/1994	Hague Agreement	.
DM/041	599	10/1997	Hague Agreement	.

OTHER PUBLICATIONS

Bloomingdale's Catalog, p. 35, May, 1994.
Sunglass Hut International Catalog p. 10, Dec. 1996.
Ski Magazine, Jan. 1987.
Washington Post, Mar. 4, 1990.
Ski Magazine, Aug. 15, 1994.
U.S. Patent Application Serial No. 29/070,151, filed May, 1, 1997.

Primary Examiner—Raphael Barkai
Attorney, Agent, or Firm—Katherine McGuire

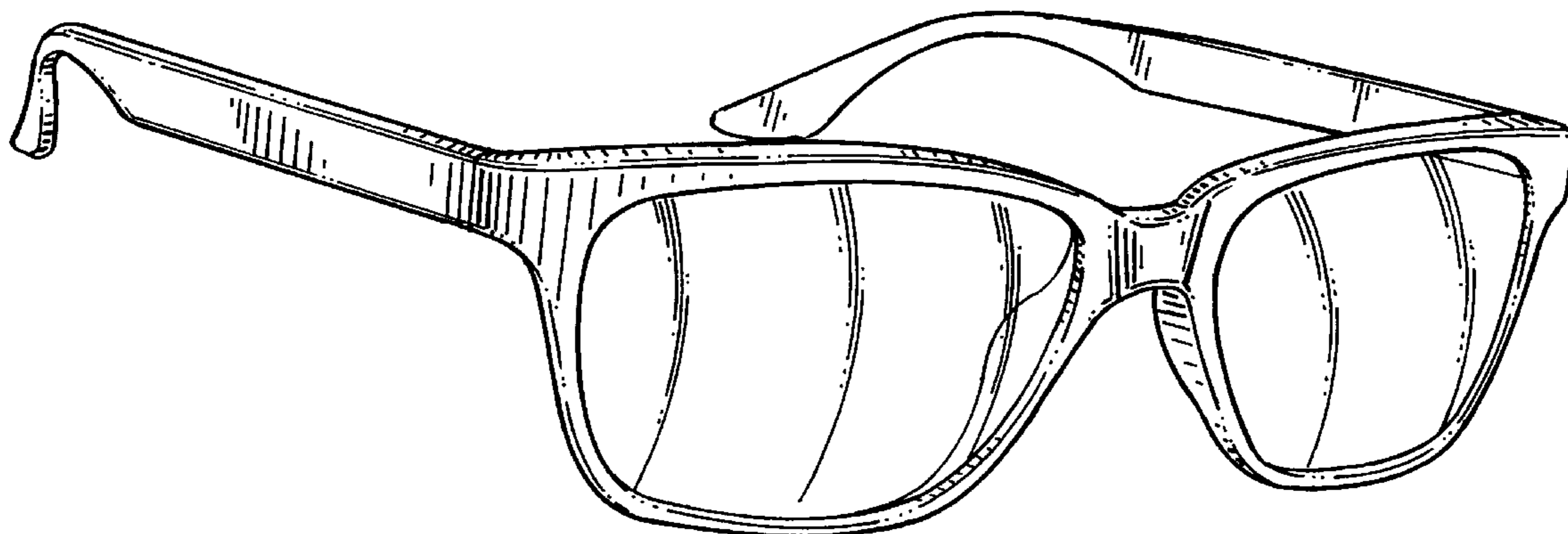
[57] **CLAIM**

The ornamental design for eyewear, as shown and described.

DESCRIPTION

FIG. 1 is a front elevational view of eyewear showing my new design;
FIG. 2 is a side elevational view thereof;
FIG. 3 is a top plan view thereof;
FIG. 4 is a bottom plan view thereof; and,
FIG. 5 is a top front perspective view thereof.

1 Claim, 4 Drawing Sheets



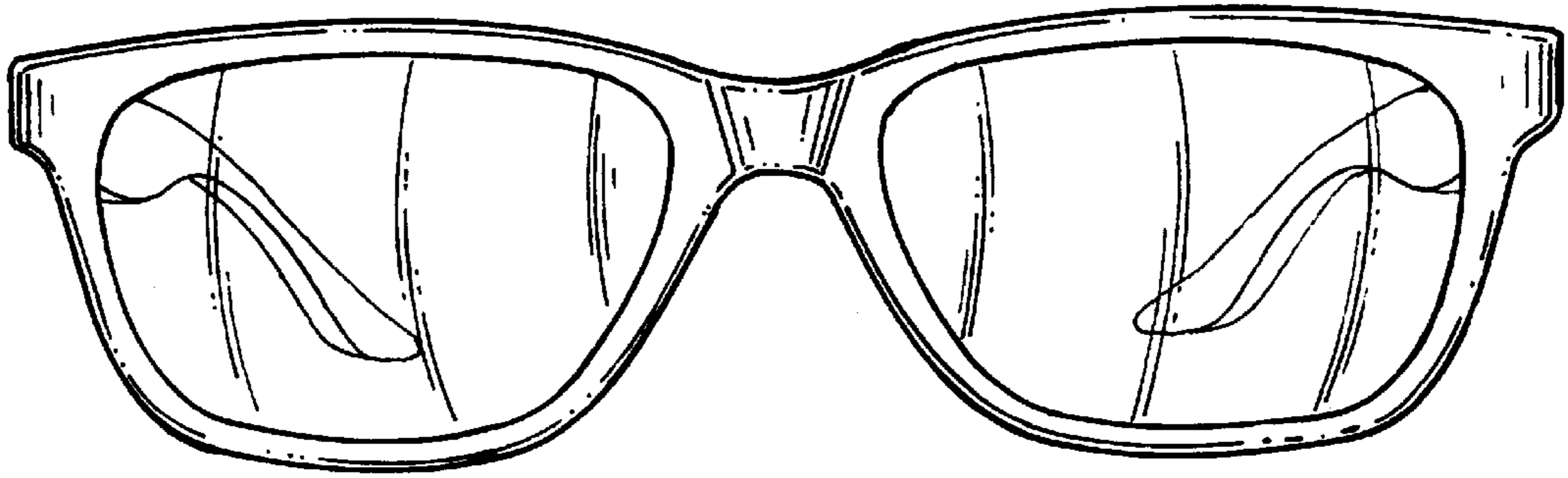


FIG. 1

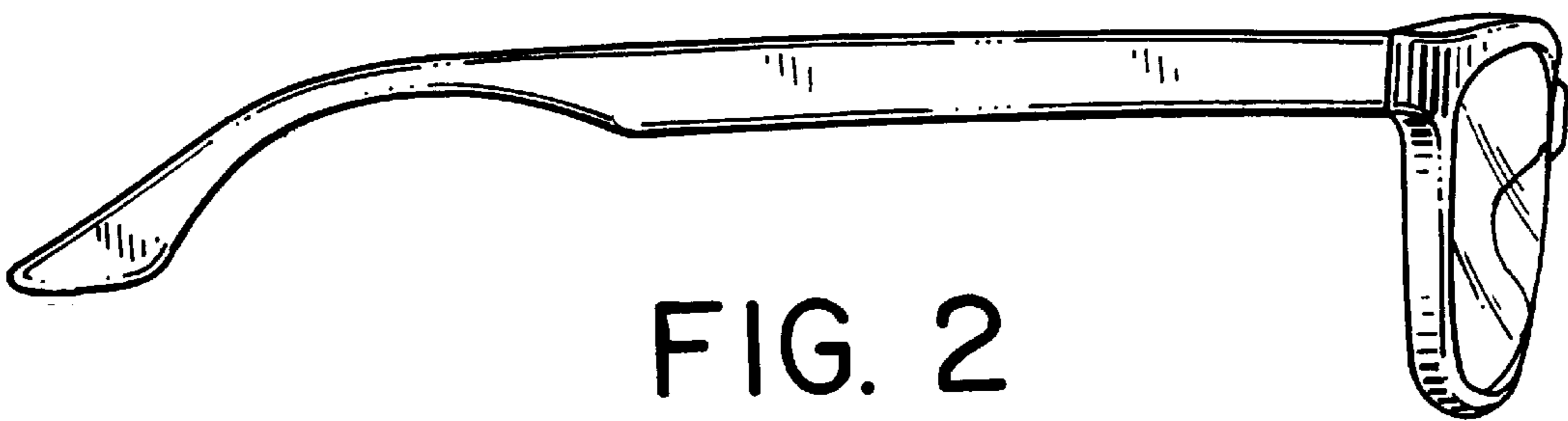
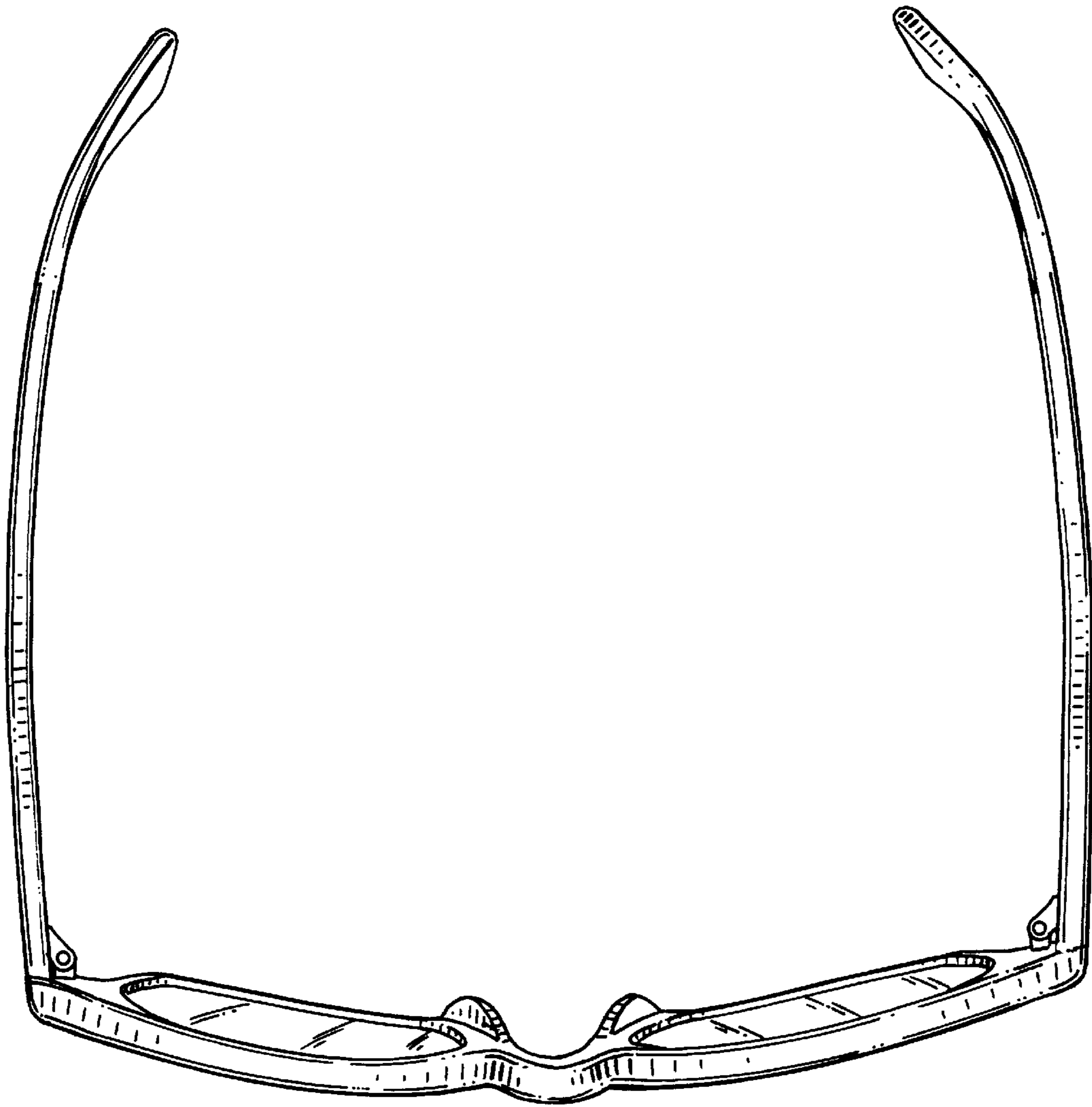


FIG. 2

FIG. 3



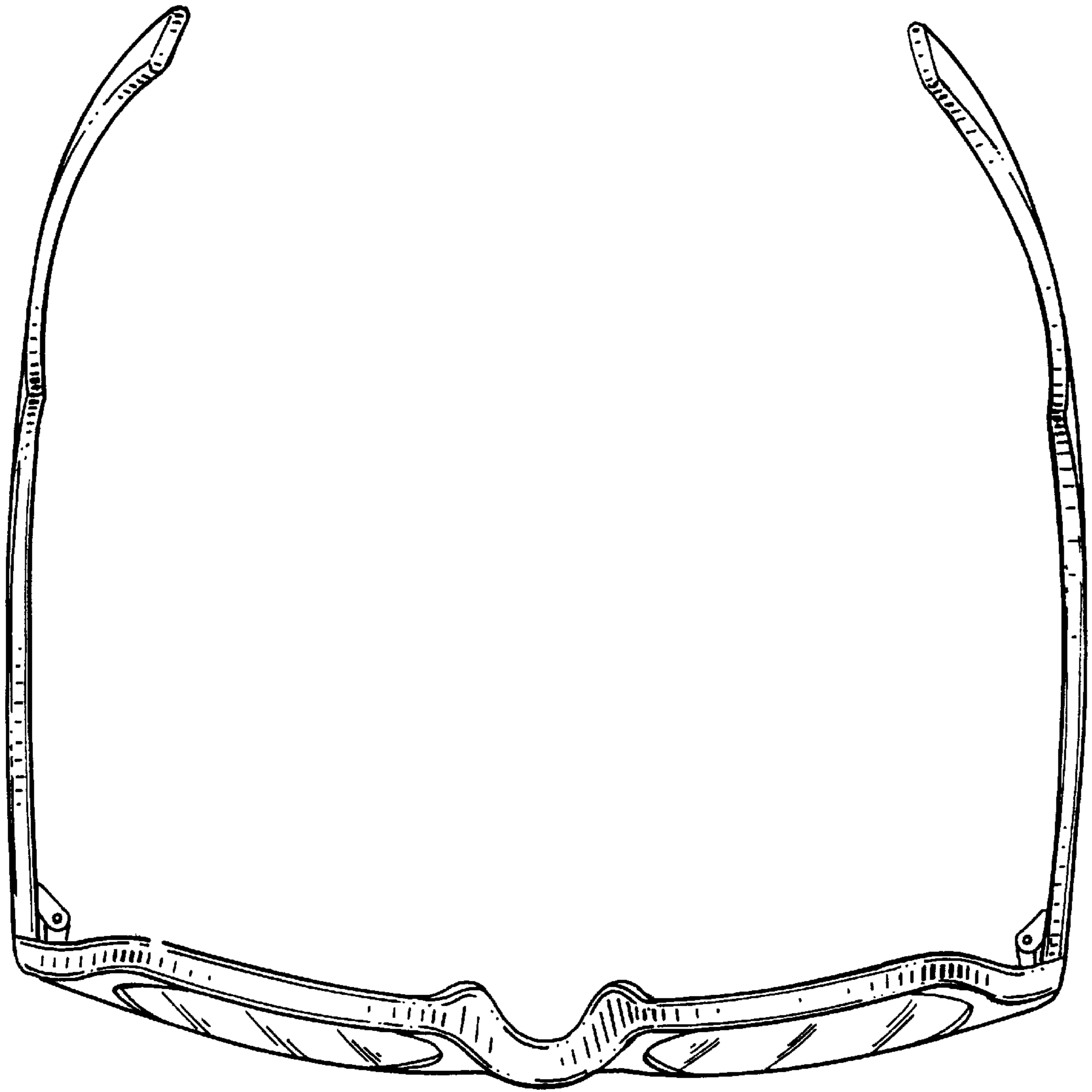


FIG. 4

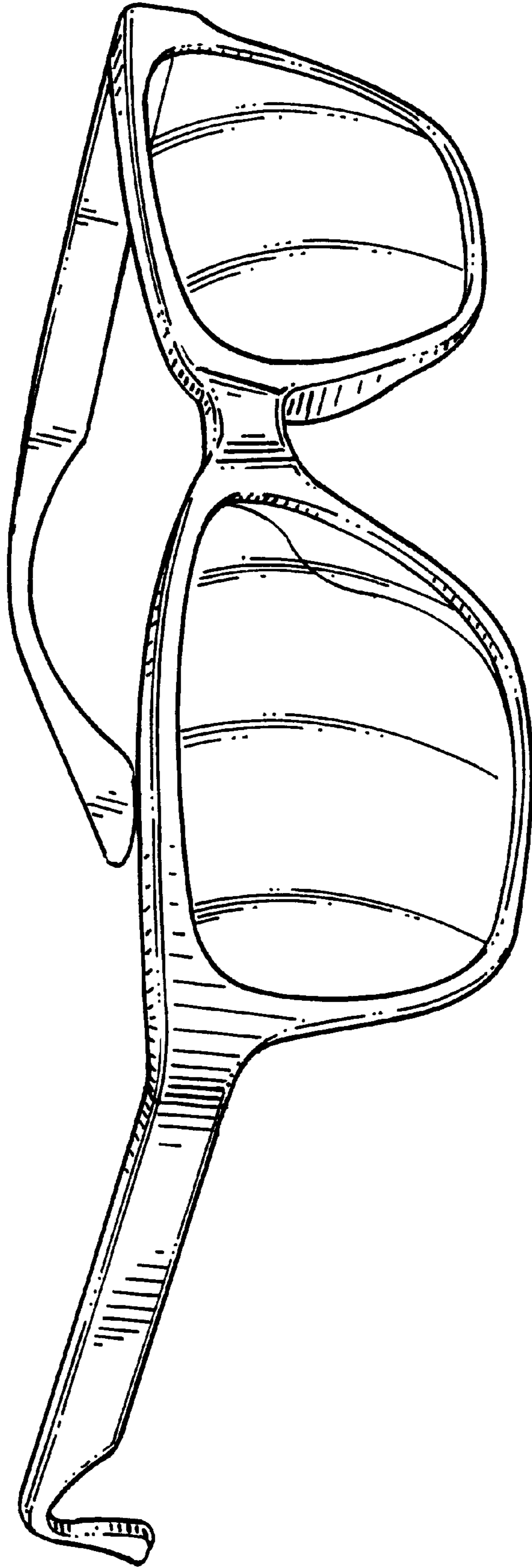


FIG. 5