



US00D427619S

# United States Patent [19]

Mizoguchi et al.

[11] Patent Number: **Des. 427,619**

[45] Date of Patent: **\*\* Jul. 4, 2000**

[54] CAMERA

[75] Inventors: **Shuri Mizoguchi**, Tokyo; **Hiroshi Kibayashi**, Saitama, both of Japan

[73] Assignee: **Konica Corporation**, Tokyo, Japan

[\*\*] Term: **14 Years**

[21] Appl. No.: **29/112,422**

[22] Filed: **Oct. 15, 1999**

### [30] Foreign Application Priority Data

Apr. 21, 1999 [JP] Japan ..... 11-10530

[51] LOC (7) Cl. .... **16-01**

[52] U.S. Cl. .... **D16/209; D16/218**

[58] Field of Search ..... D16/200-205,  
D16/208, 209, 217, 218; 396/535-541

### [56] References Cited

#### U.S. PATENT DOCUMENTS

D. 399,227 10/1998 Chapman et al. .... D16/209

D. 404,751 1/1999 Takaba ..... D16/209

D. 412,923 8/1999 Takaba ..... D16/218

D. 415,512 10/1999 Takaba ..... D16/209

D. 418,529 1/2000 Nihei et al. .... D16/208

5,619,295 4/1997 Seya et al. .... 396/535

*Primary Examiner*—Adir Aronovich  
*Attorney, Agent, or Firm*—Frishauf, Holtz, Goodman,  
Langer & Chick, P.C.

### [57] CLAIM

The ornamental design for a camera, as shown.

### DESCRIPTION

FIG. 1 is a front elevational view of a camera showing our new design;

FIG. 2 is a left-side view thereof;

FIG. 3 is a right-side view thereof;

FIG. 4 is a rear elevational view thereof;

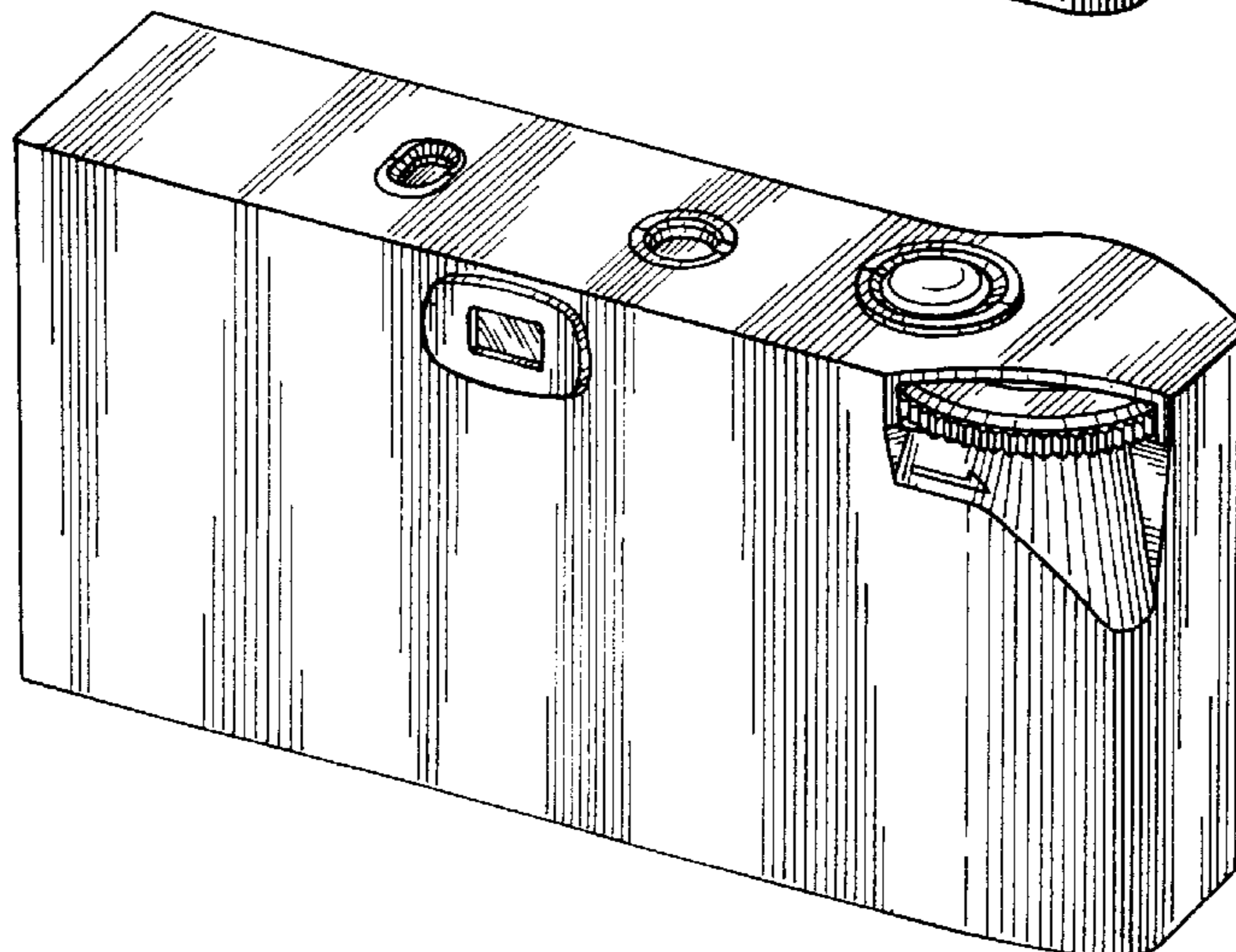
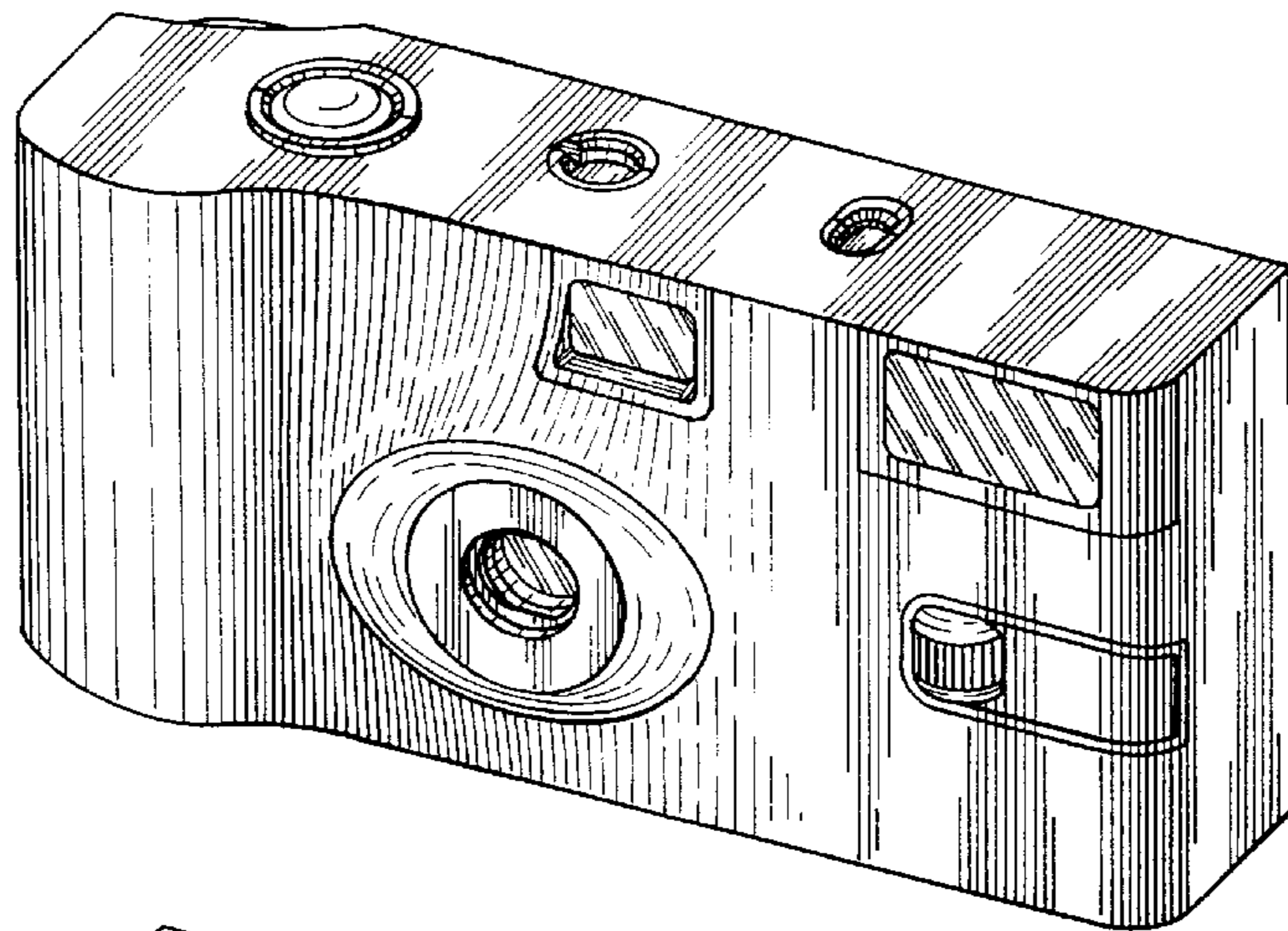
FIG. 5 is a top plan view thereof;

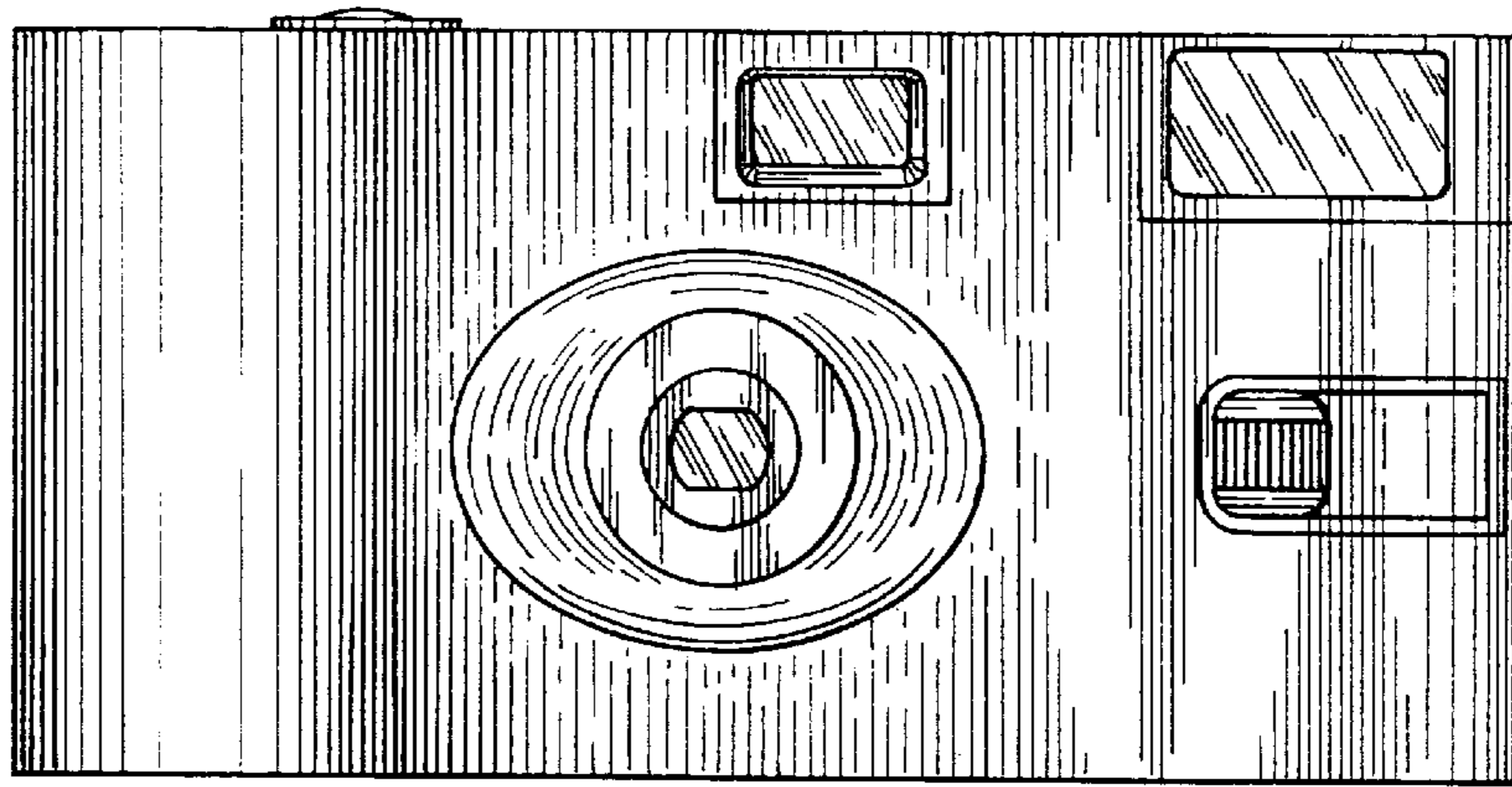
FIG. 6 is a bottom plan view thereof;

FIG. 7 is a front, top, right-side perspective view thereof; and,

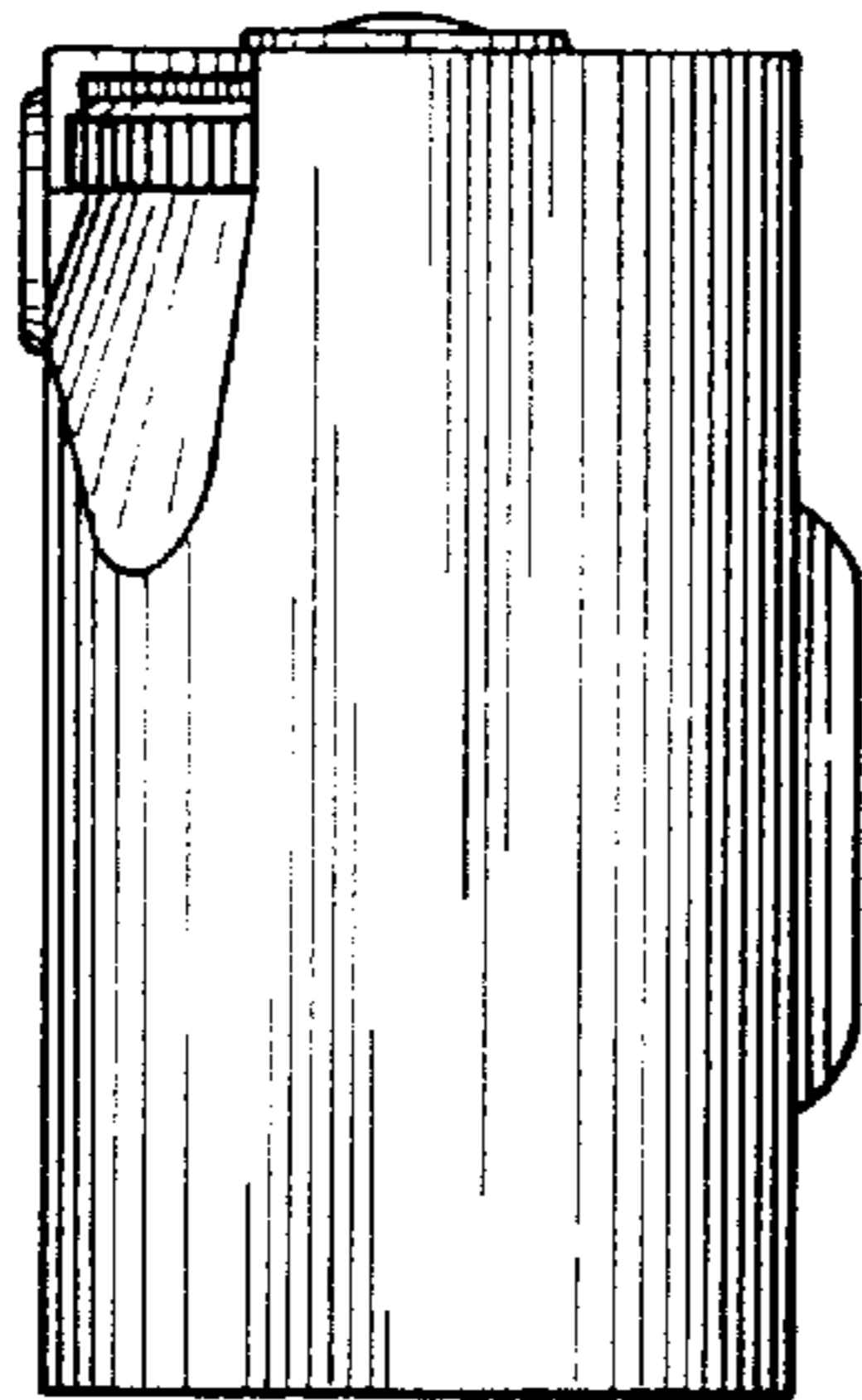
FIG. 8 is a rear, top, left-side perspective view thereof.

**1 Claim, 2 Drawing Sheets**

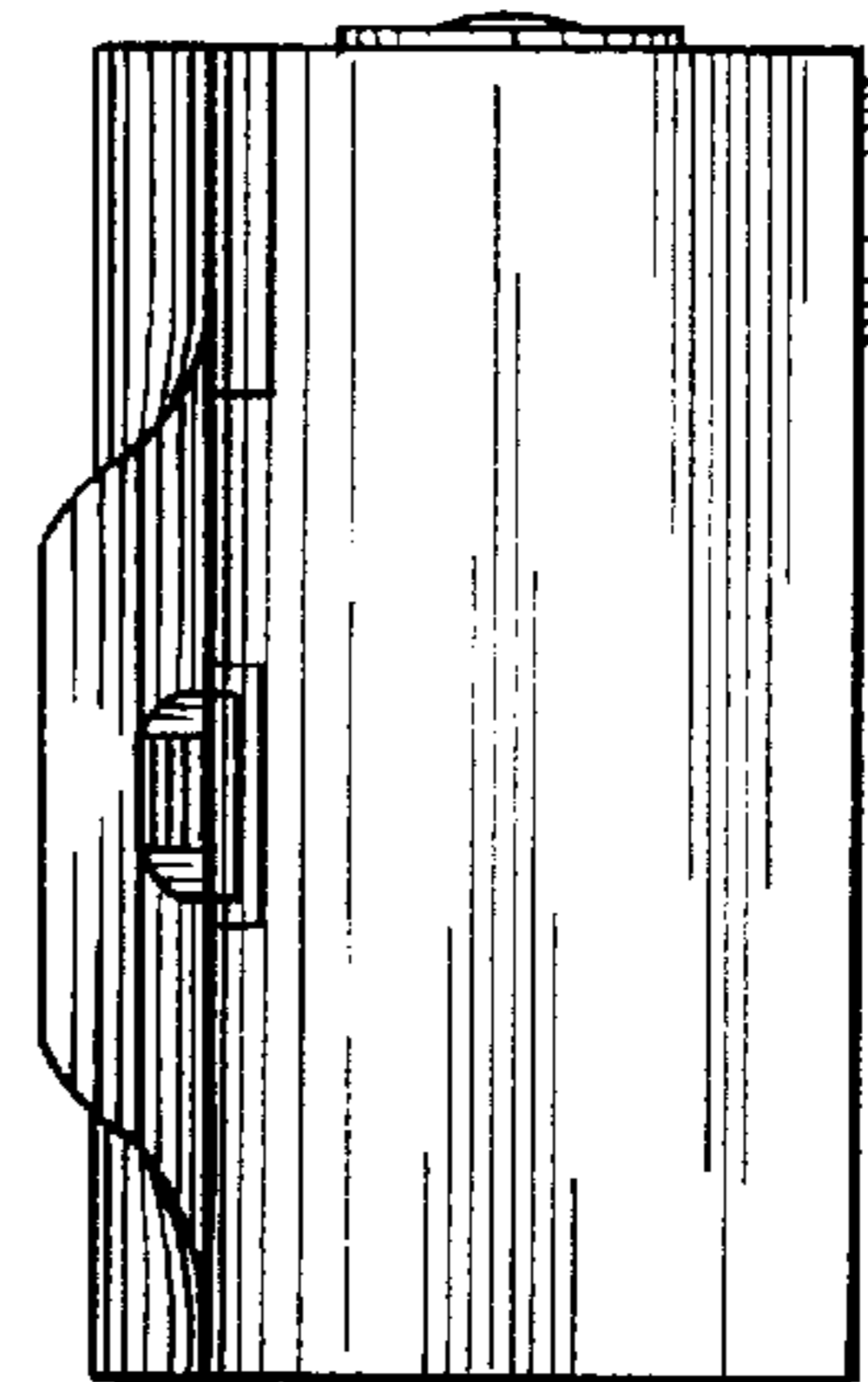




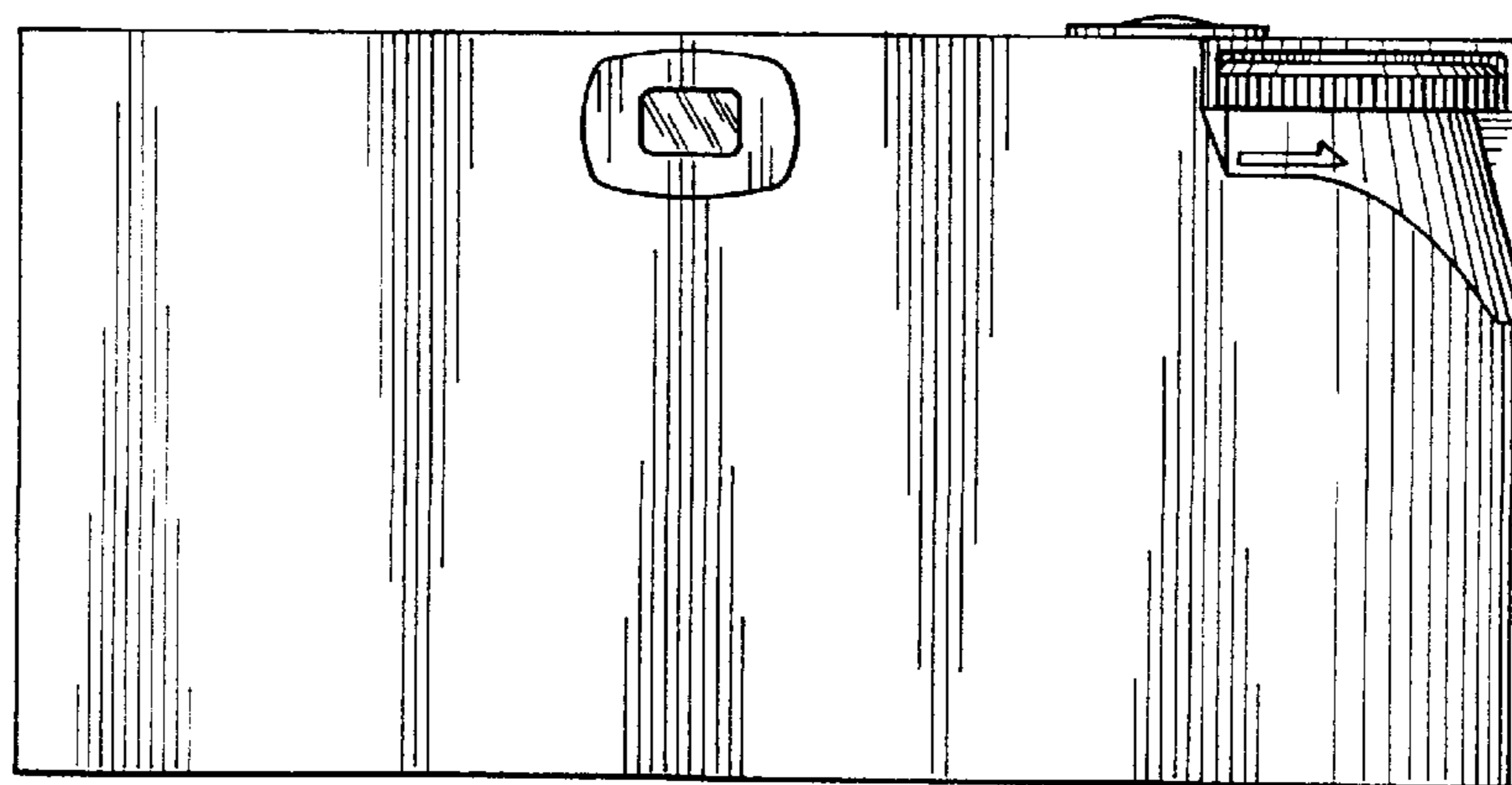
*Fig. 1*



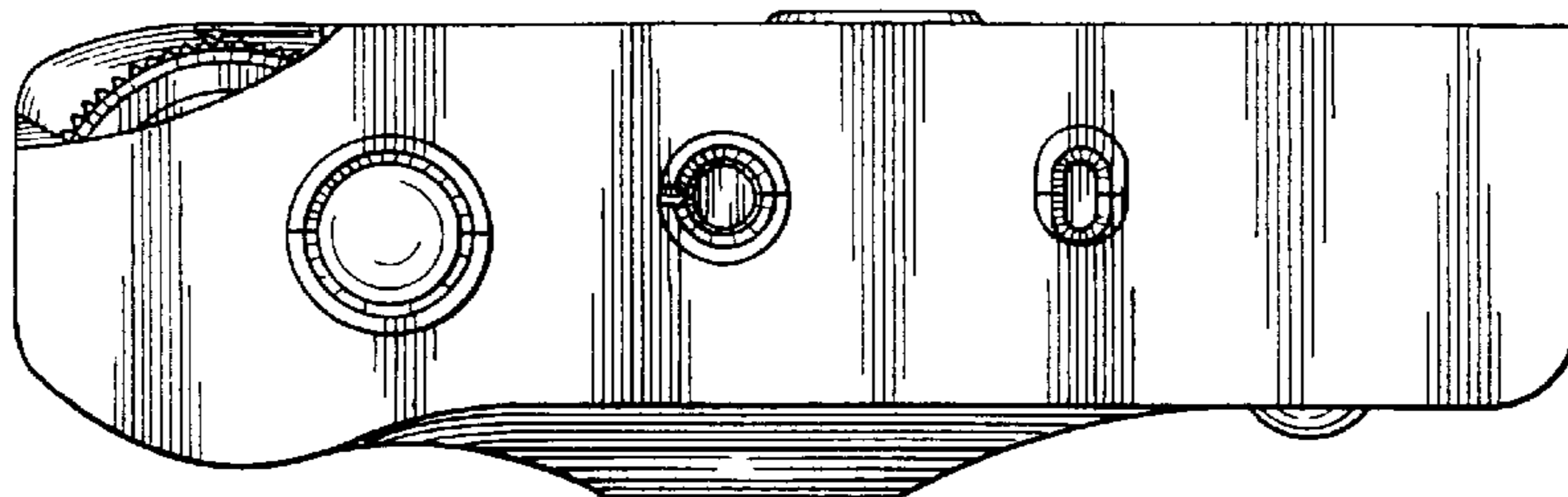
*Fig. 2*



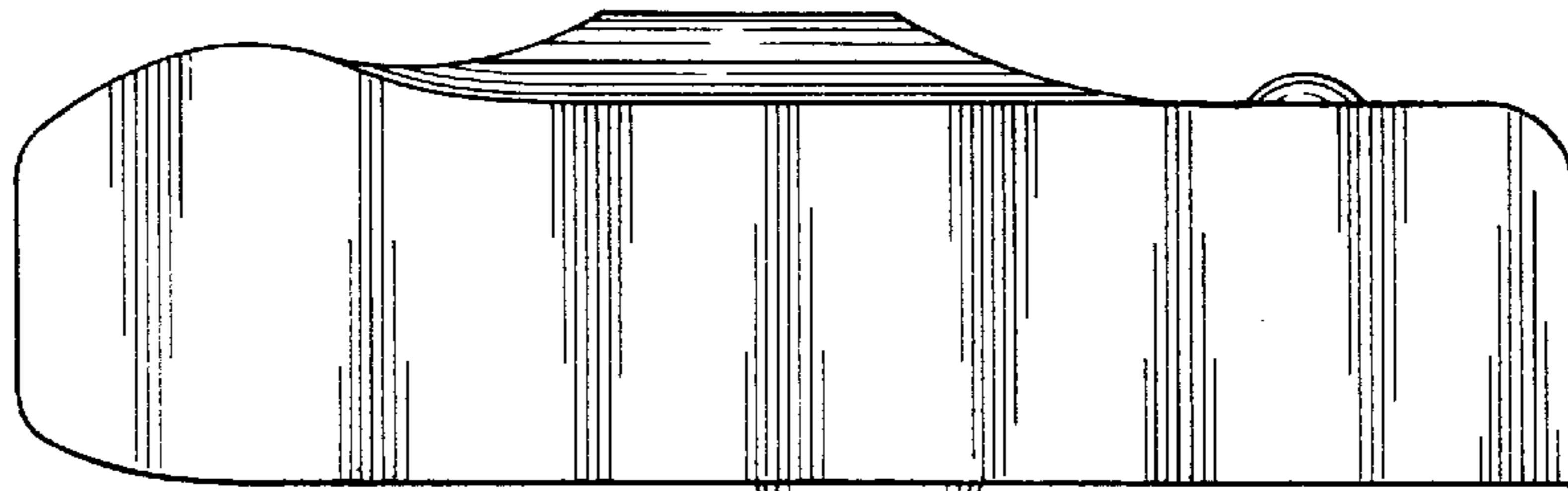
*Fig. 3*



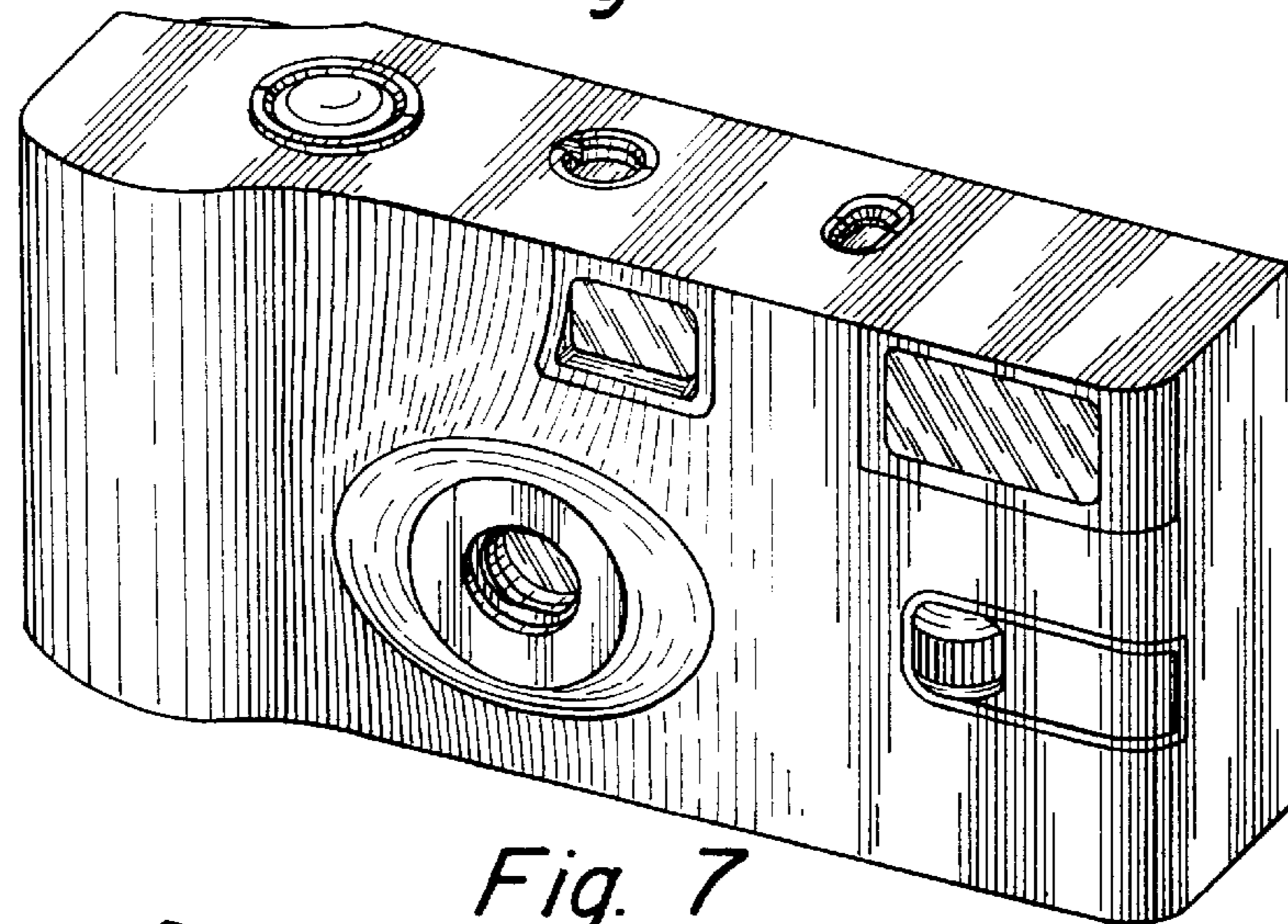
*Fig. 4*



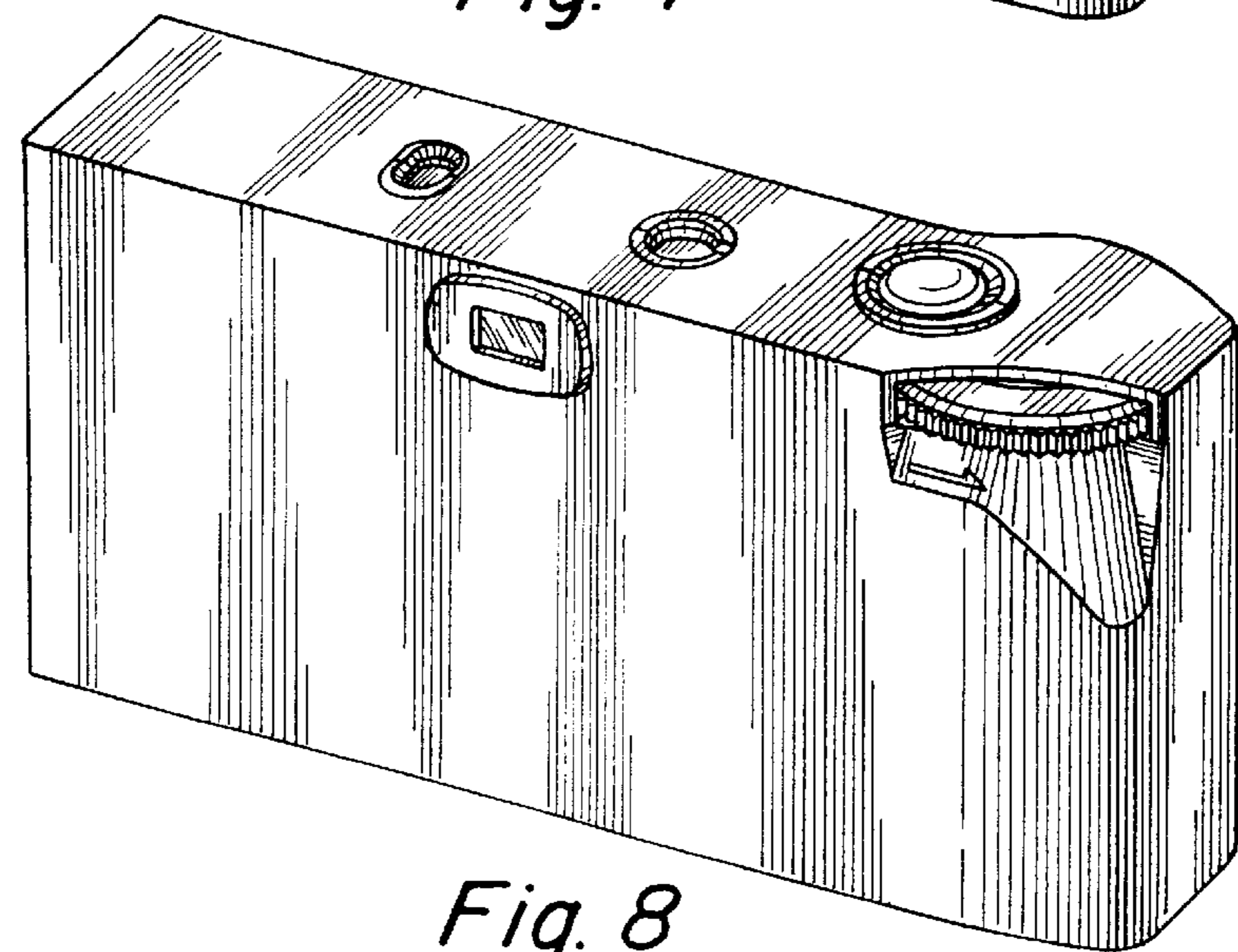
*Fig. 5*



*Fig. 6*



*Fig. 7*



*Fig. 8*