



US00D427618S

# United States Patent [19]

[11] Patent Number: Des. 427,618

Row et al.

[45] Date of Patent: \*\* Jul. 4, 2000

## [54] CAMERA

## DESCRIPTION

[75] Inventors: **William Row**, Taichung Hsien; **Joe Chang**, Taichung, both of Taiwan

FIG. 1 shows a perspective view of a camera with the flash light being in an operational state.

[73] Assignee: **Largan Digital Co., Ltd.**, Taichung, Taiwan

FIG. 2 shows a right elevational view of the present invention.

[\*\*] Term: **14 Years**

FIG. 3 shows a top plan view of the present invention.

[21] Appl. No.: **29/100,256**

FIG. 4 shows a front elevational view of the present invention.

[22] Filed: **Feb. 8, 1999**

FIG. 5 shows a bottom plan view of the present invention.

[51] **LOC (7) Cl.** ..... **16-01**

FIG. 6 shows a left elevational view of the present invention.

[52] **U.S. Cl.** ..... **D16/209; D16/218**

FIG. 7 shows a rear elevational view of the present invention.

[58] **Field of Search** ..... D16/200-205, D16/208, 209, 212, 217, 218; 396/6, 25-29, 535-541

FIG. 8 shows a perspective view of the camera with the flash light being in a folded state.

FIG. 9 shows a right elevational view of the present invention in the folding state.

## [56] References Cited

### U.S. PATENT DOCUMENTS

D. 389,849	1/1998	Kim	.....	D16/209
D. 392,659	3/1998	Takano	.....	D16/202
D. 398,317	9/1998	Isozaki et al.	.....	D16/202
D. 409,213	5/1999	Bae	.....	D16/202
D. 412,005	7/1999	Matsushita	.....	D16/218

FIG. 10 shows a top plan view of the present invention in the folding state.

FIG. 11 shows a front elevational view of the present invention in the folding state.

FIG. 12 shows a bottom plan view of the present invention in the folding state.

*Primary Examiner*—Adir Aronovich

*Attorney, Agent, or Firm*—Browdy and Neimark

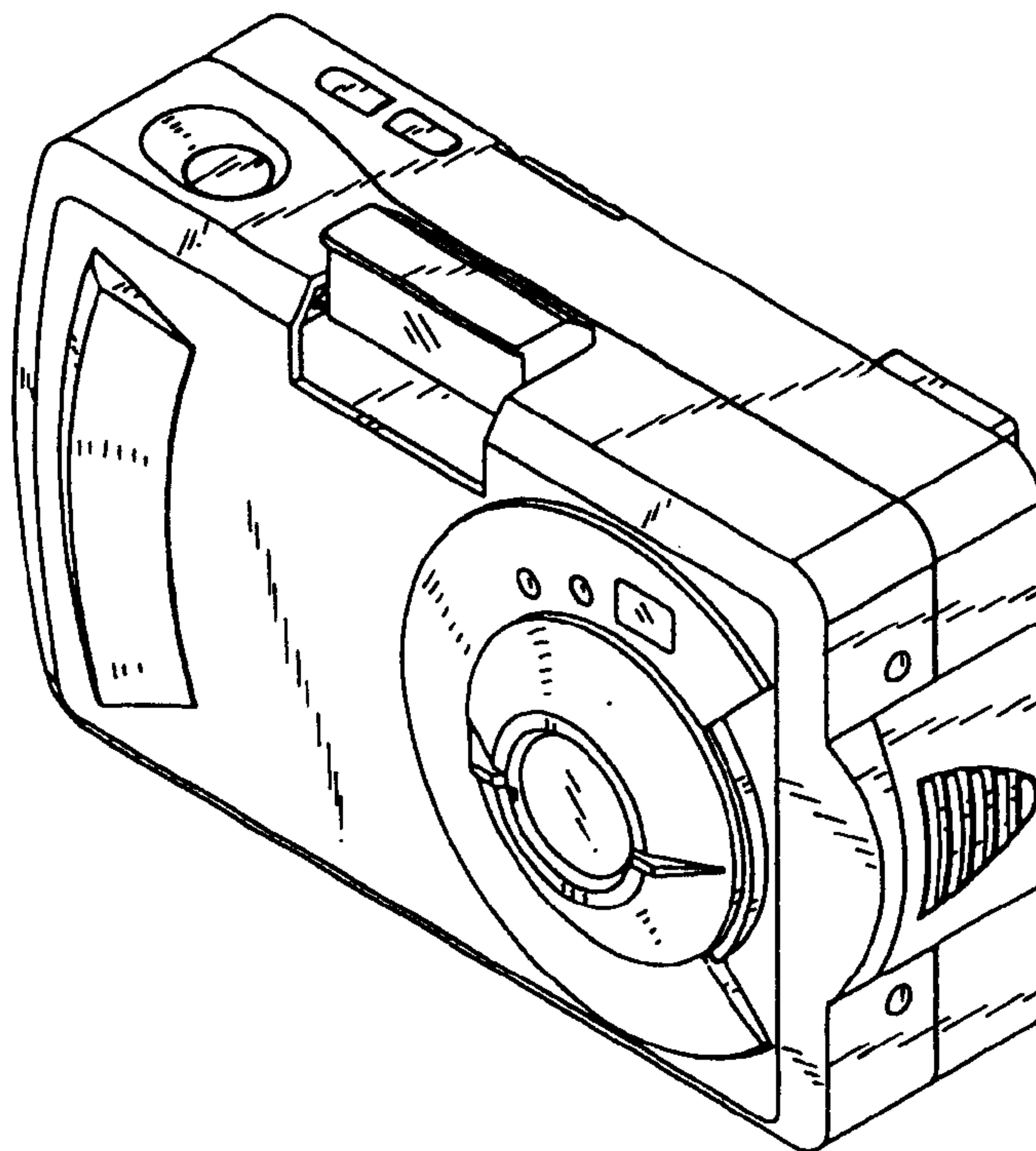
FIG. 13 shows a left elevational view of the present invention in the folding state; and,

FIG. 14 shows a rear elevational view of the present invention in the folding state.

## [57] CLAIM

The ornamental design for a camera, as shown and described.

1 Claim, 6 Drawing Sheets



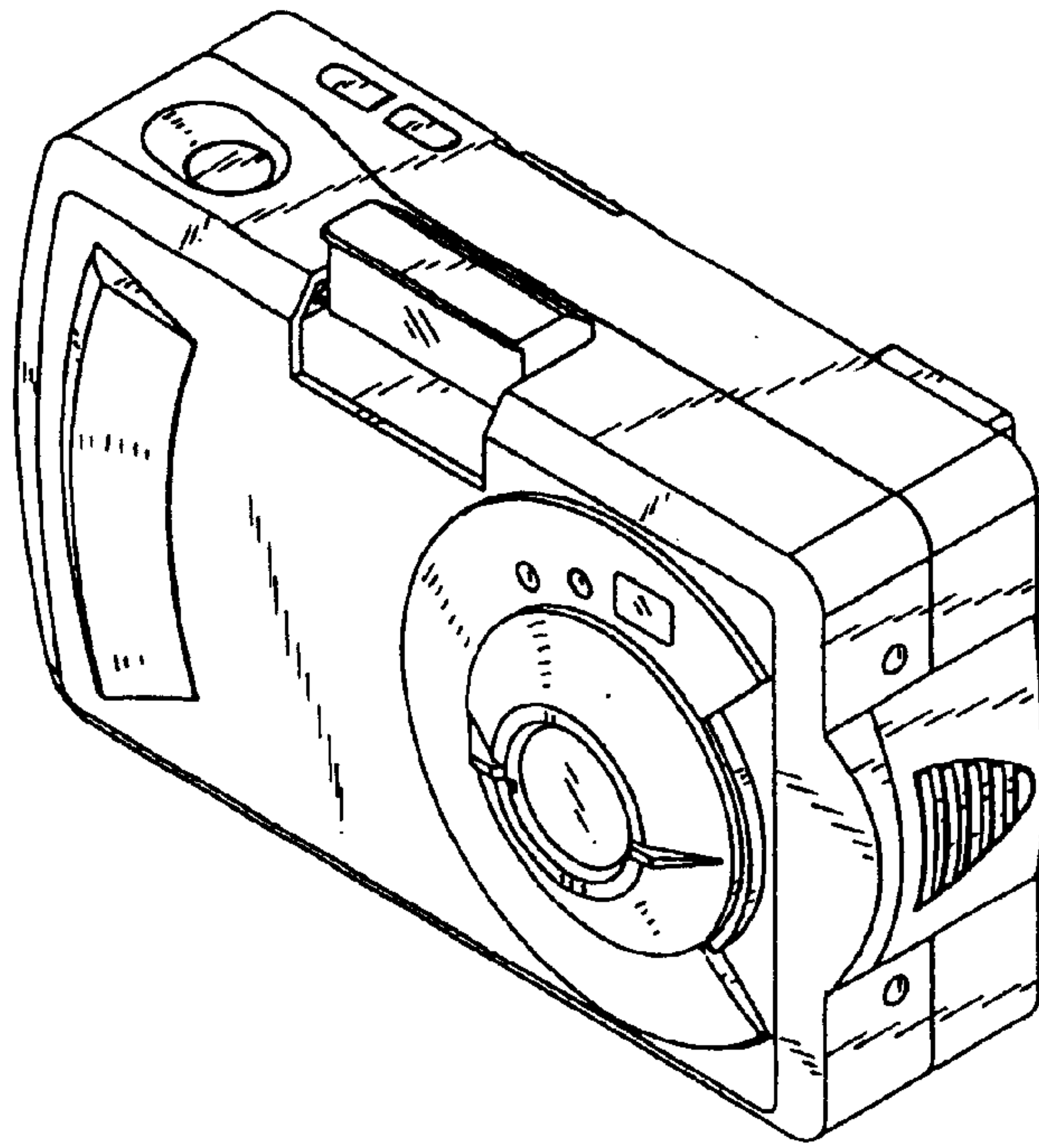


FIG. 1

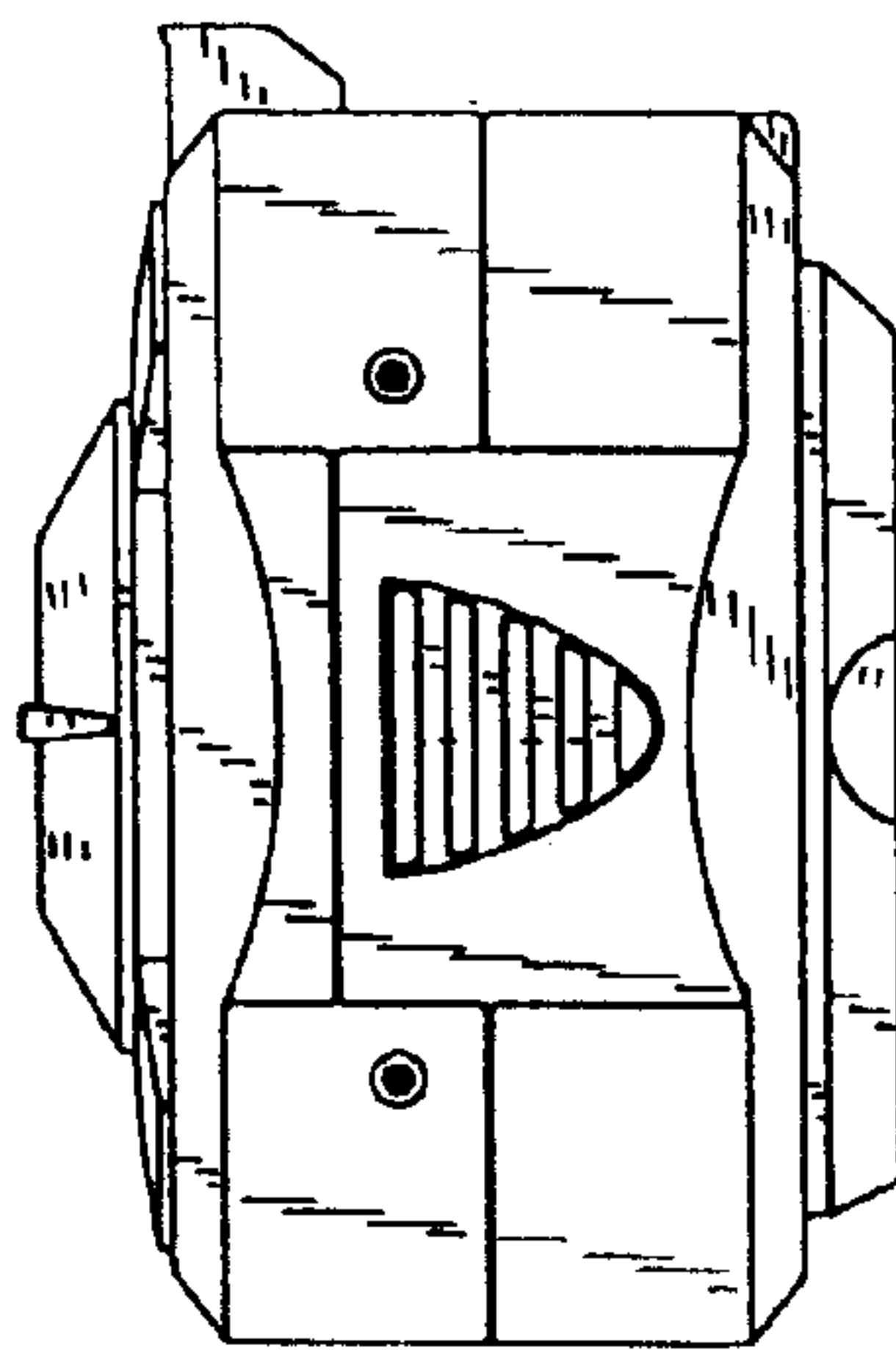


FIG. 2

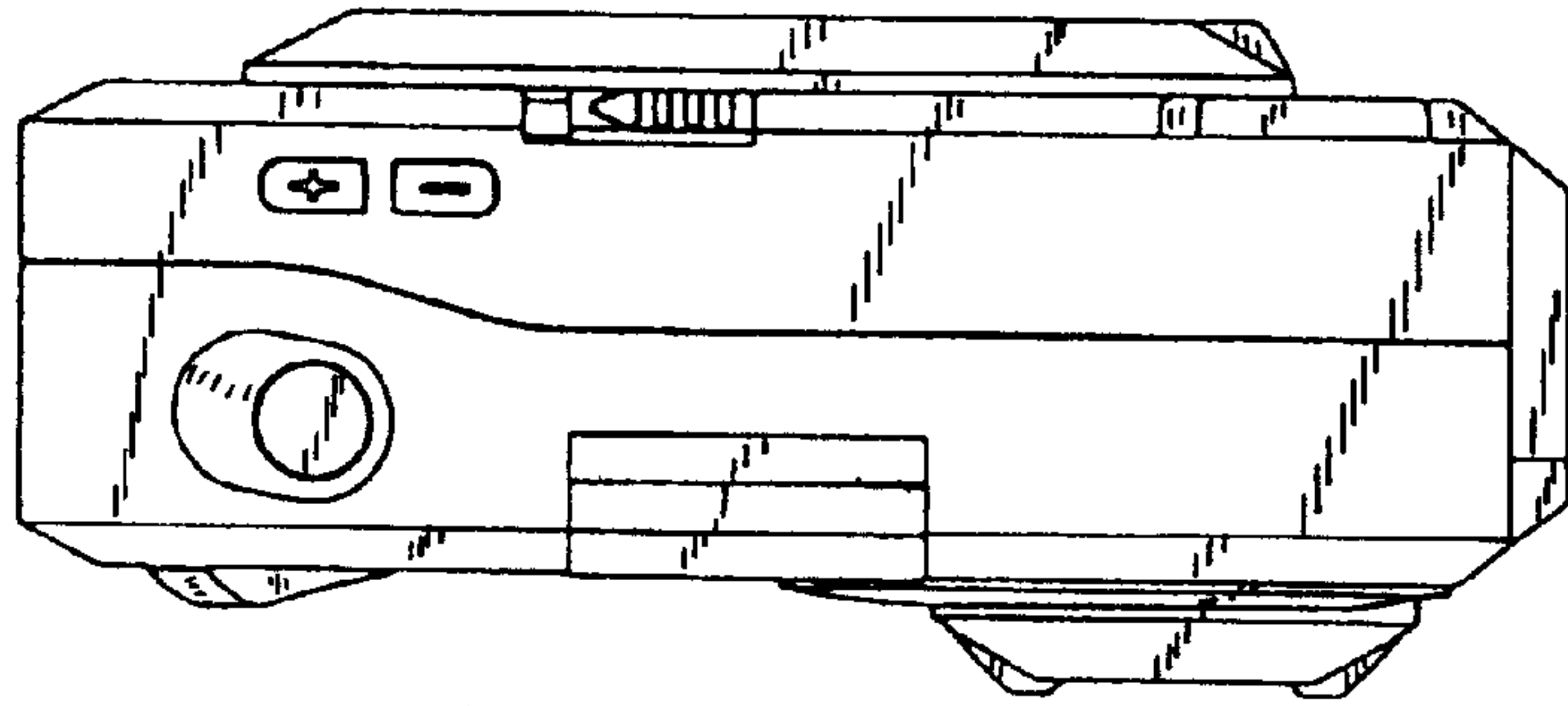


FIG. 3

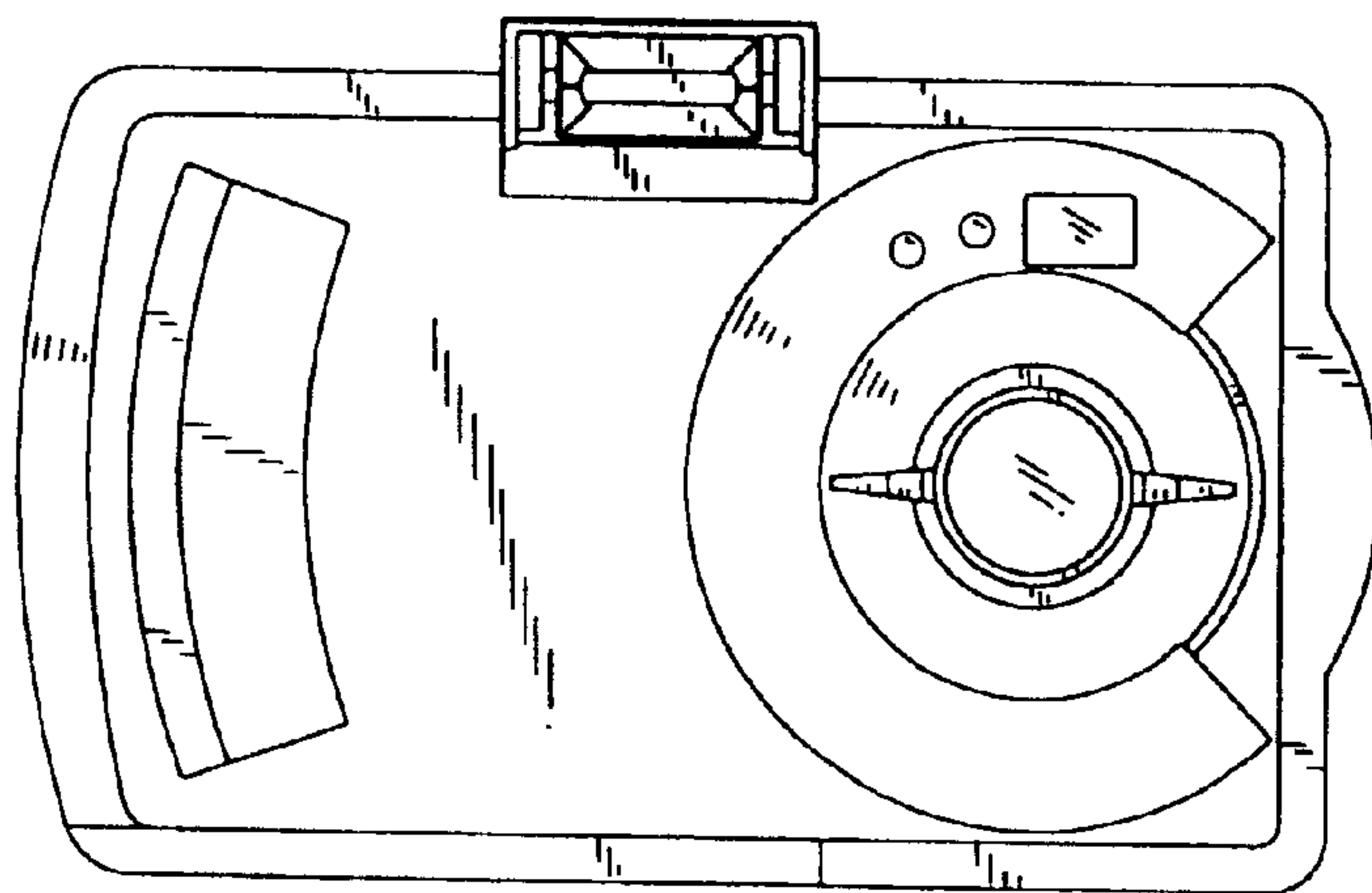


FIG. 4

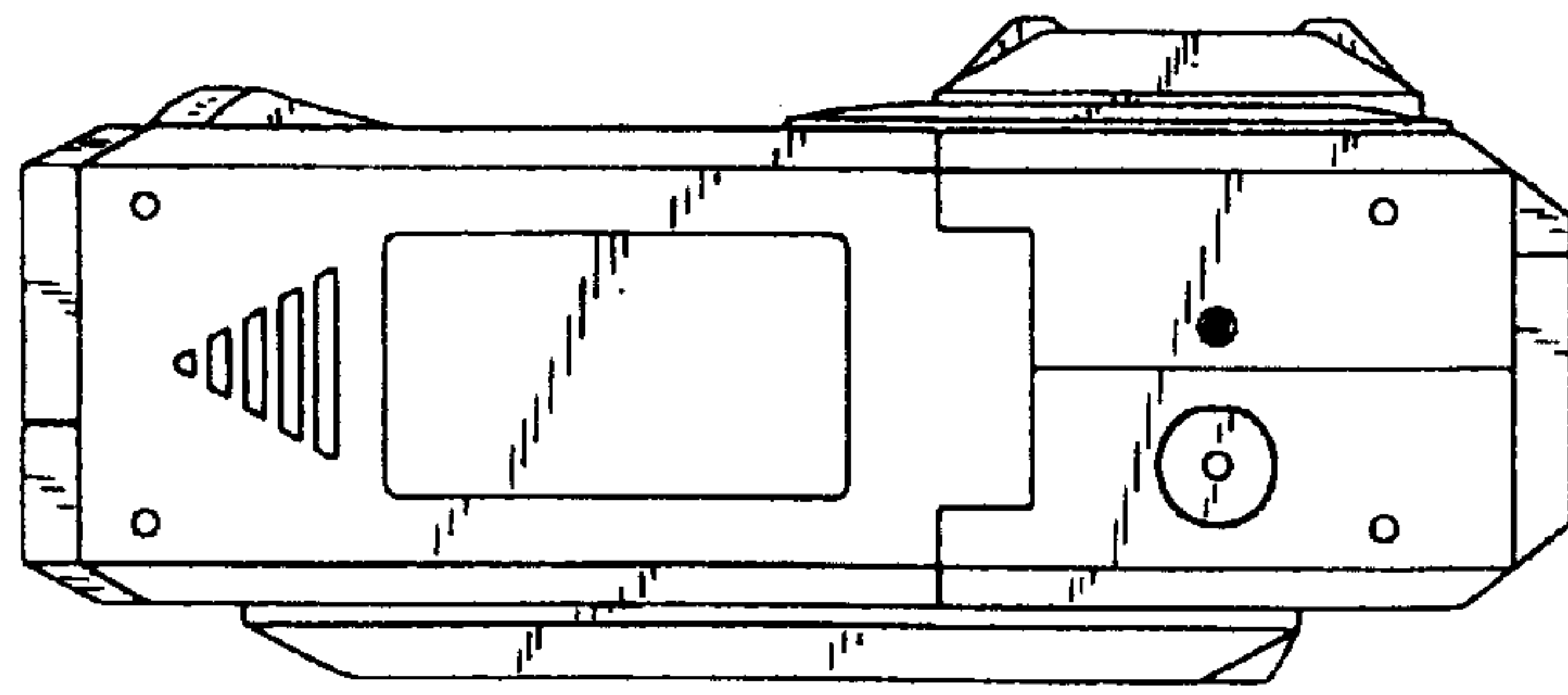


FIG. 5

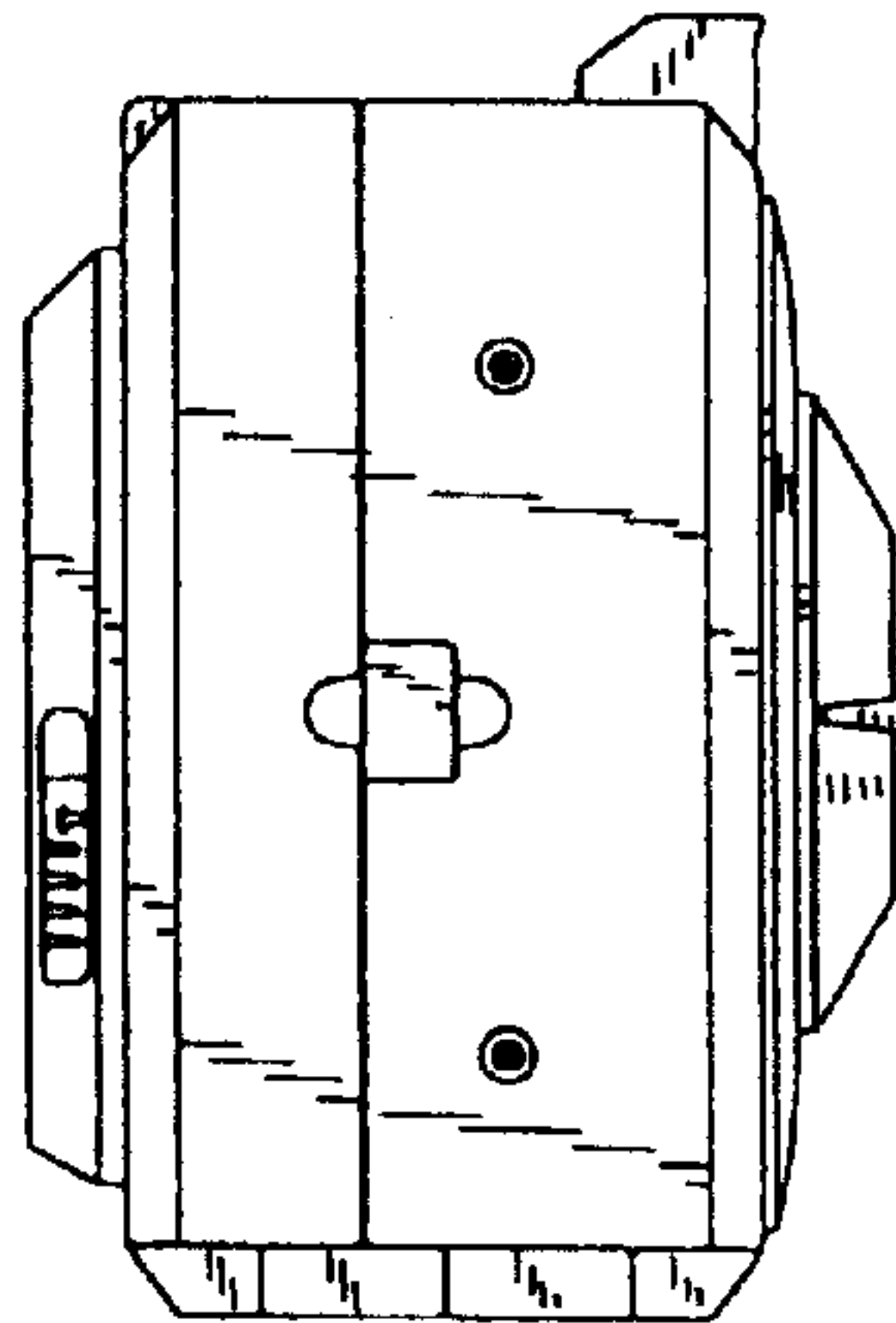


FIG. 6

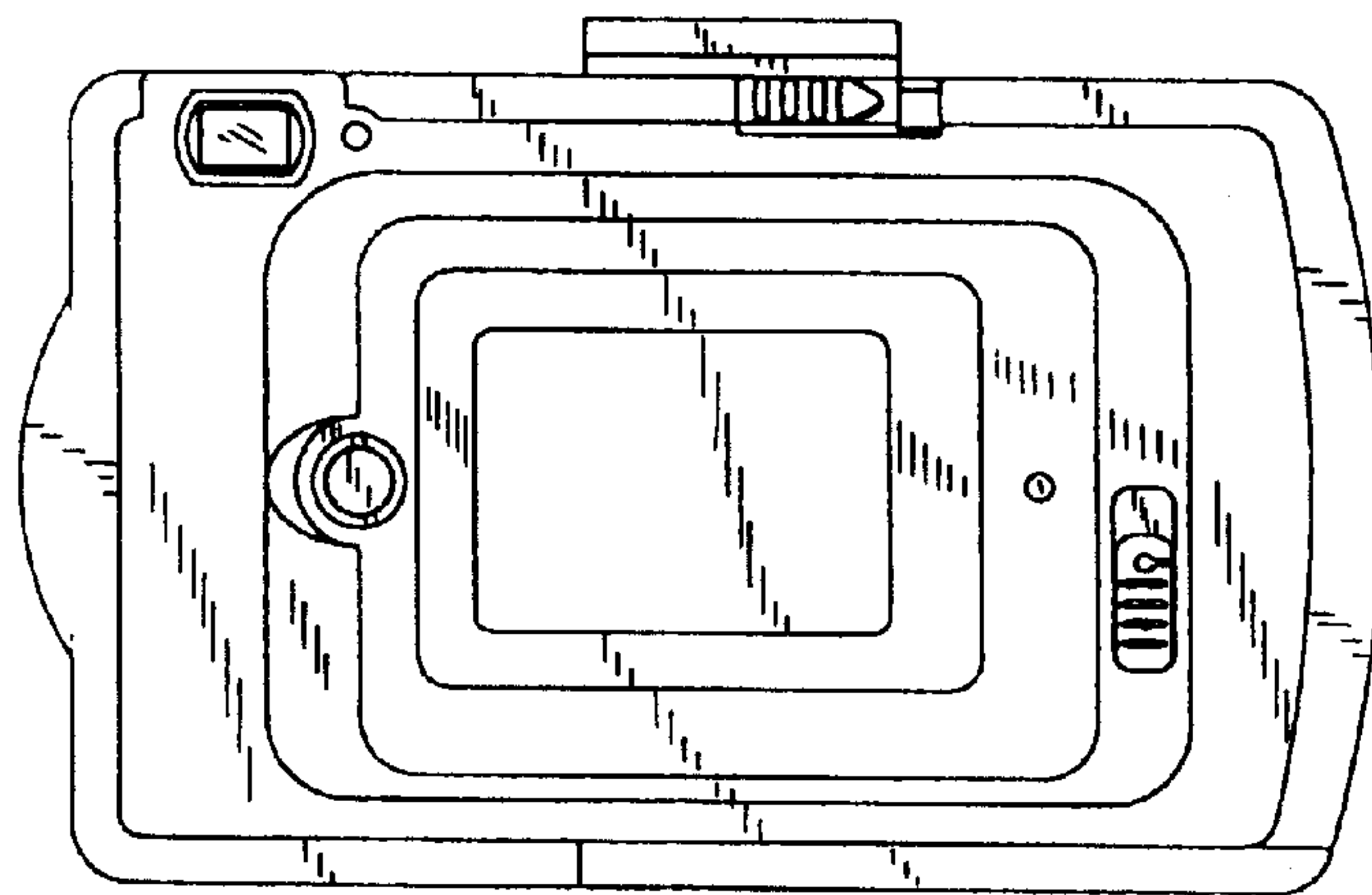


FIG. 7

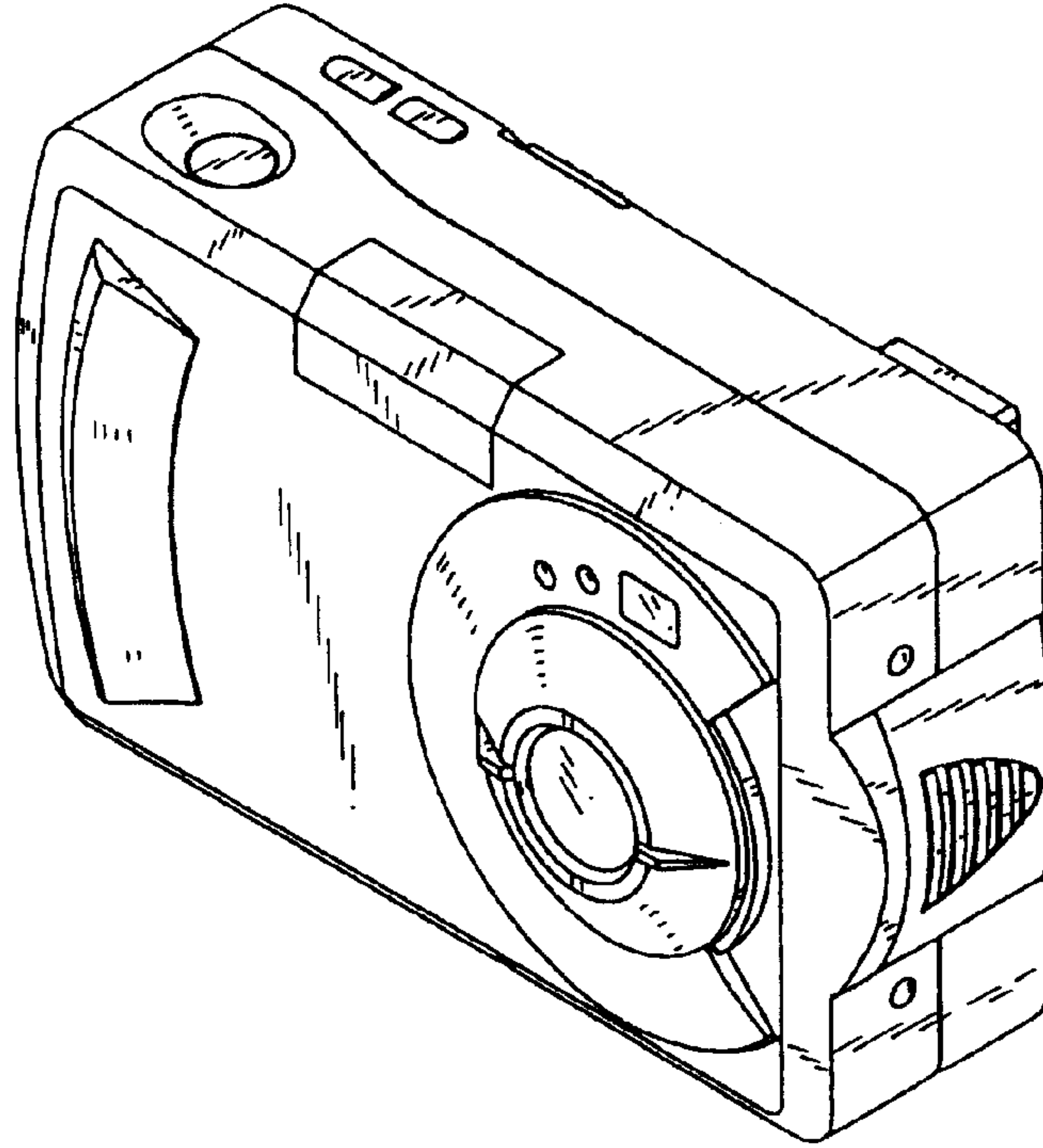


FIG. 8

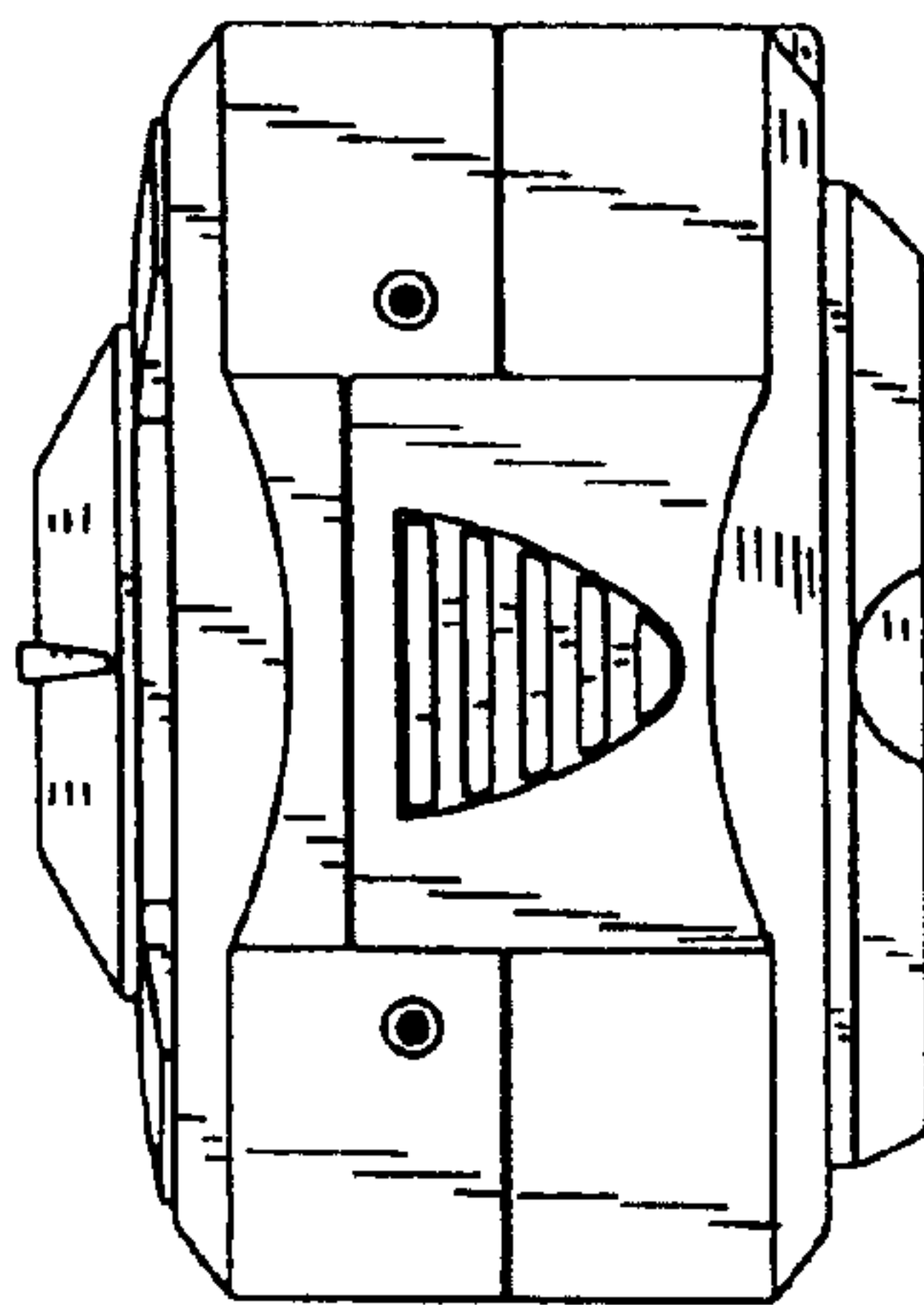


FIG. 9

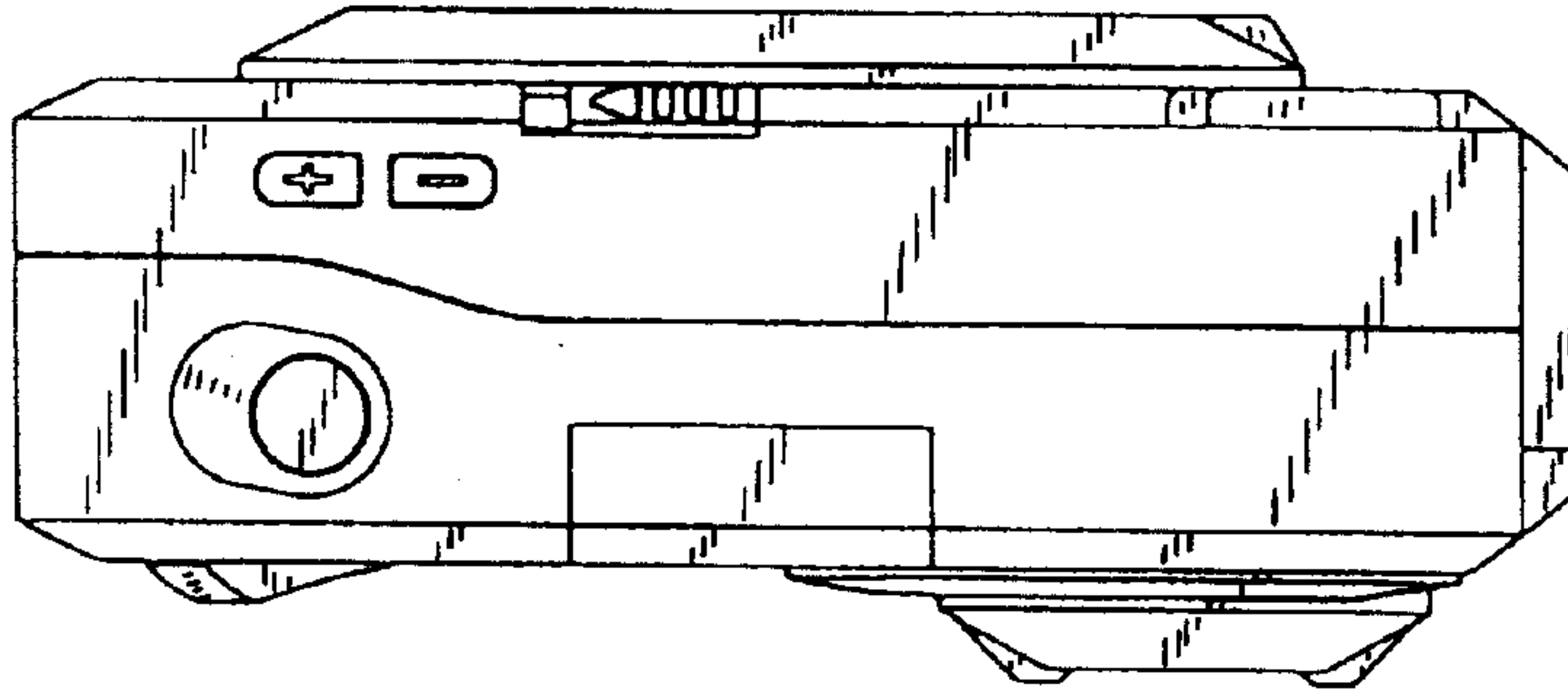


FIG. 10

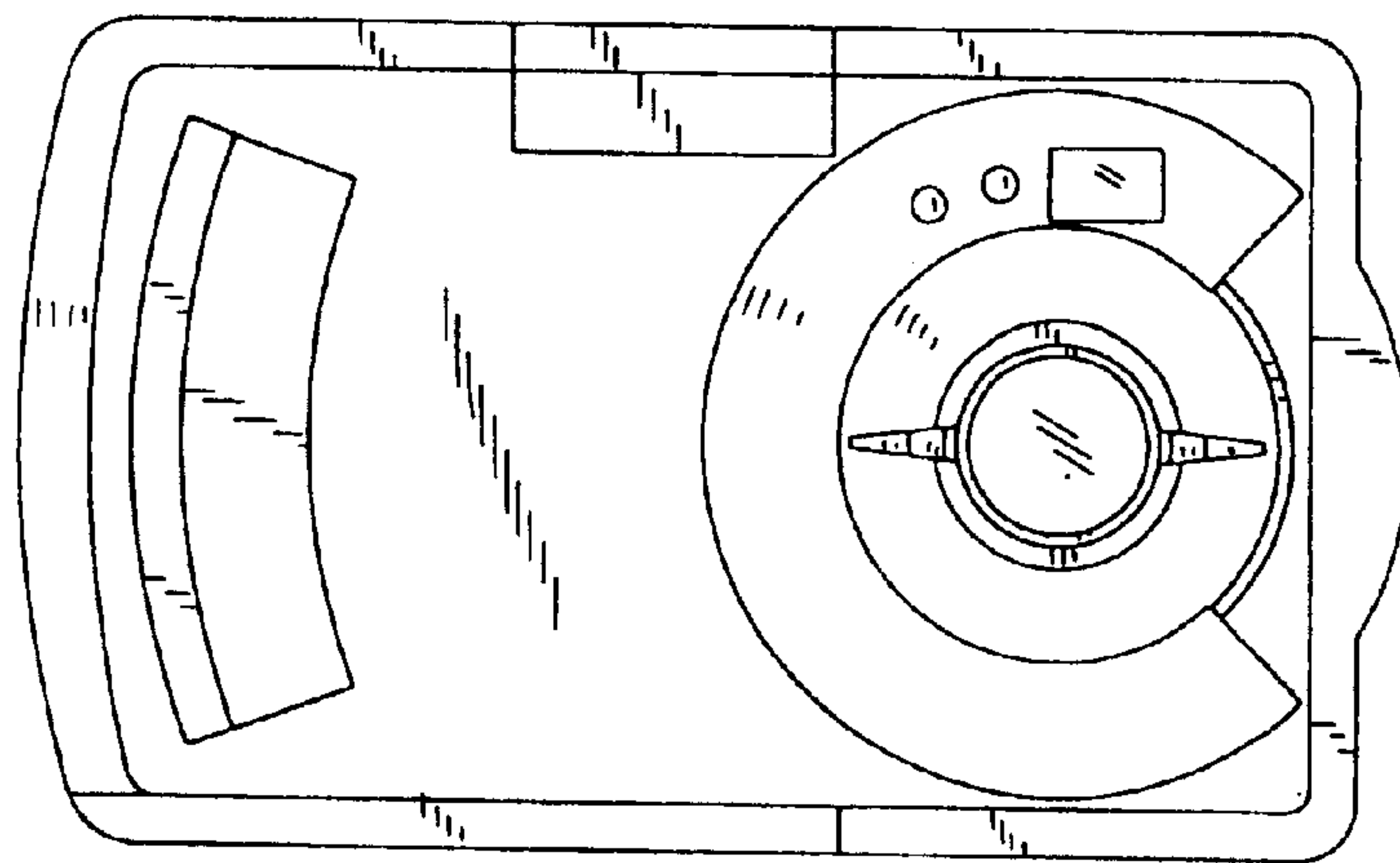


FIG. 11



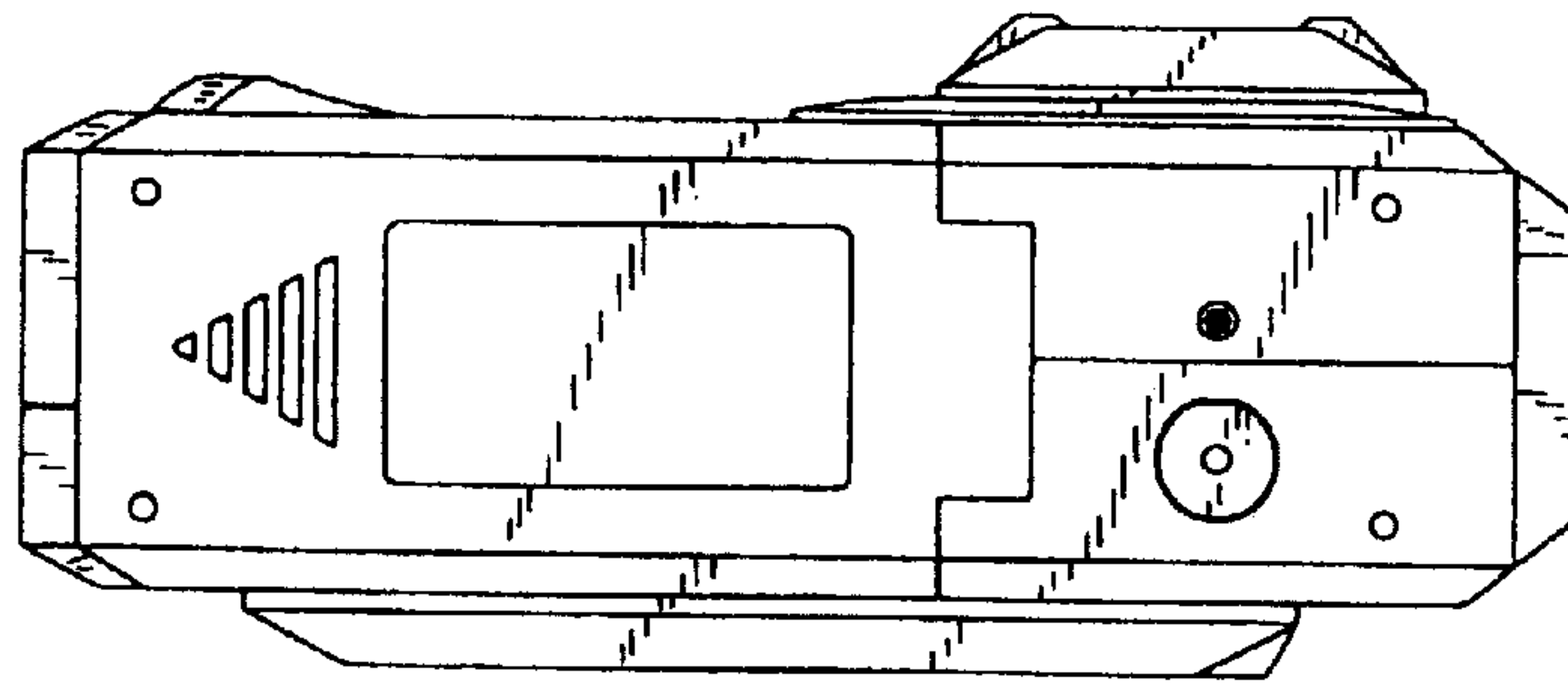


FIG. 12

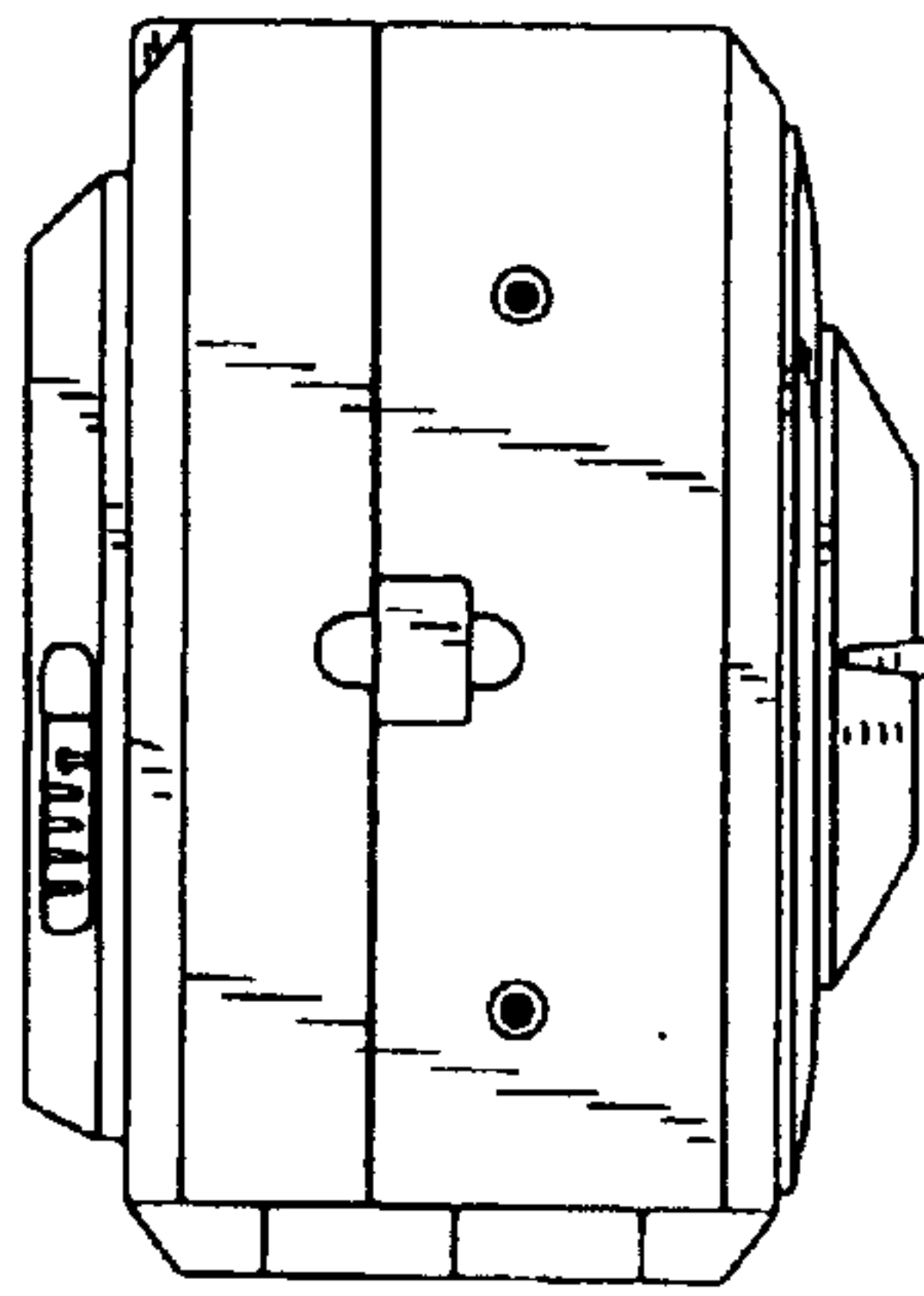


FIG. 13

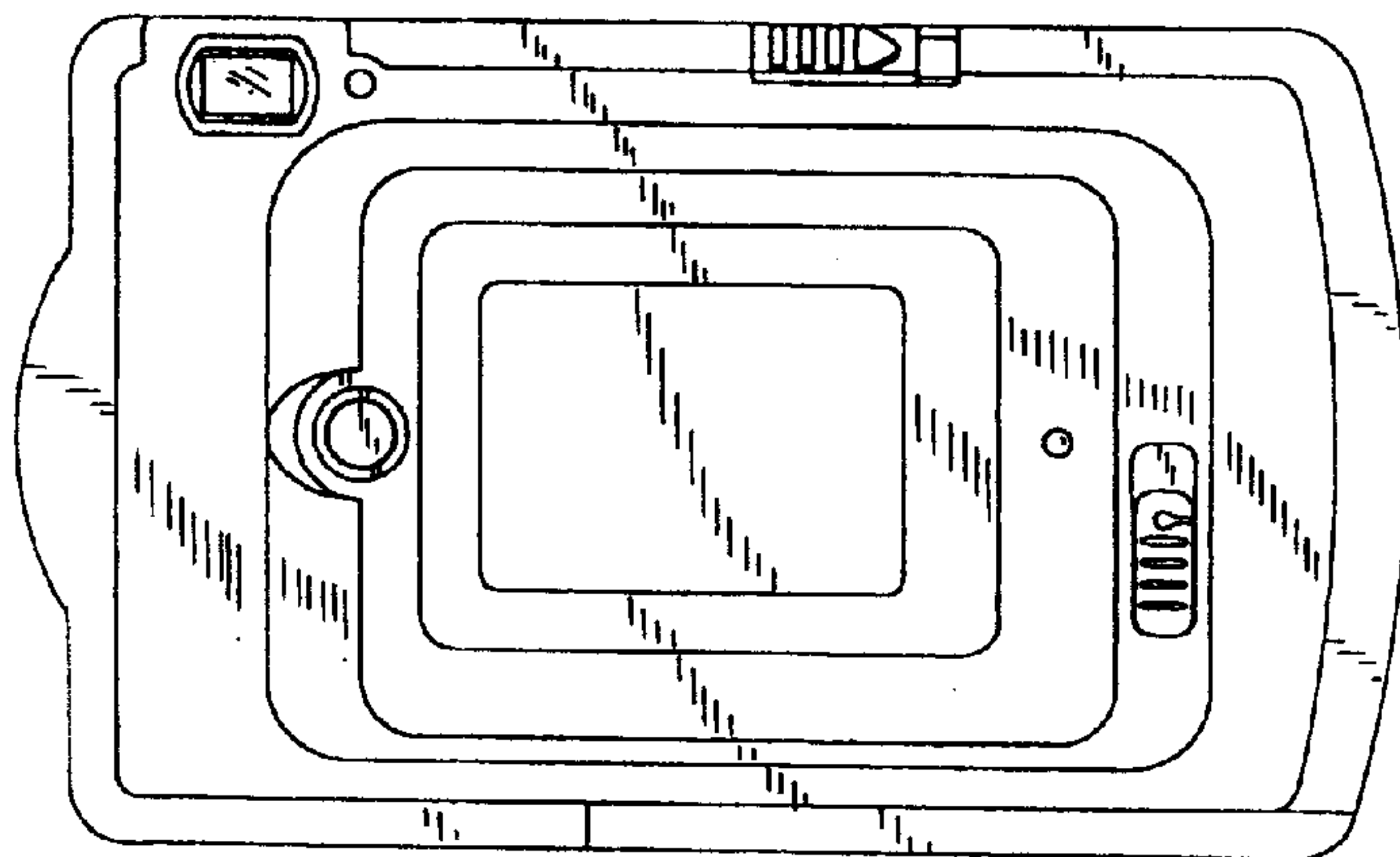


FIG. 14