



US00D427613S

# United States Patent [19]

Altmann et al.

[11] **Patent Number: Des. 427,613**

[45] **Date of Patent: \*\* Jul. 4, 2000**

[54] **INSTRUMENT PANEL**

[75] Inventors: **Caryn M. Altmann**, Buffalo Grove;  
**Thomas M. Cameron**, Waukegan;  
**Eugene J. Golec**, Mt. Prospect, all of Ill.;  
**Jeffrey E. Hallgren**, Menasha, Wis.;  
**Hadyn H. Kerner**, Ingleside, Ill.

[73] Assignee: **Komatsu America International Company**

[\*\*] Term: **14 Years**

[21] Appl. No.: **29/096,483**

[22] Filed: **Nov. 13, 1998**

[51] **LOC (7) Cl. .... 15-03**

[52] **U.S. Cl. .... D15/28**

[58] **Field of Search .... D12/415-424;**  
D15/10, 22-26, 28, 30, 31; 180/90; 296/70;  
362/30

[56] **References Cited**

**U.S. PATENT DOCUMENTS**

D. 326,662 6/1992 Holm et al. .... D15/17

D. 365,574 12/1995 Westimayer et al. .... D15/17  
4,447,860 5/1984 Stone et al. .... 180/90  
5,725,065 3/1998 Knurr et al. .... 180/69.2

*Primary Examiner*—Sandra L. Morris  
*Attorney, Agent, or Firm*—Edward G. Fiorito

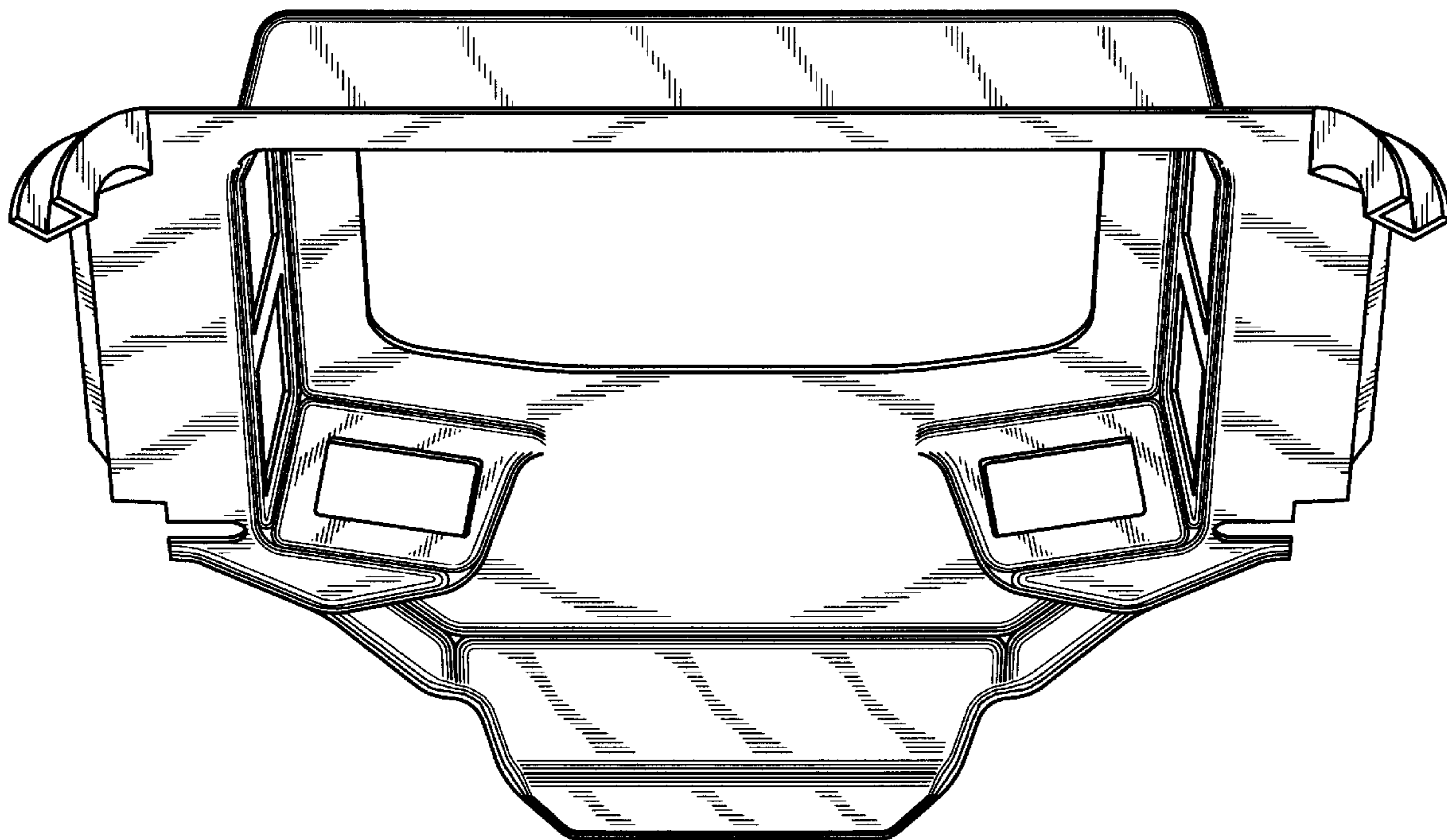
[57] **CLAIM**

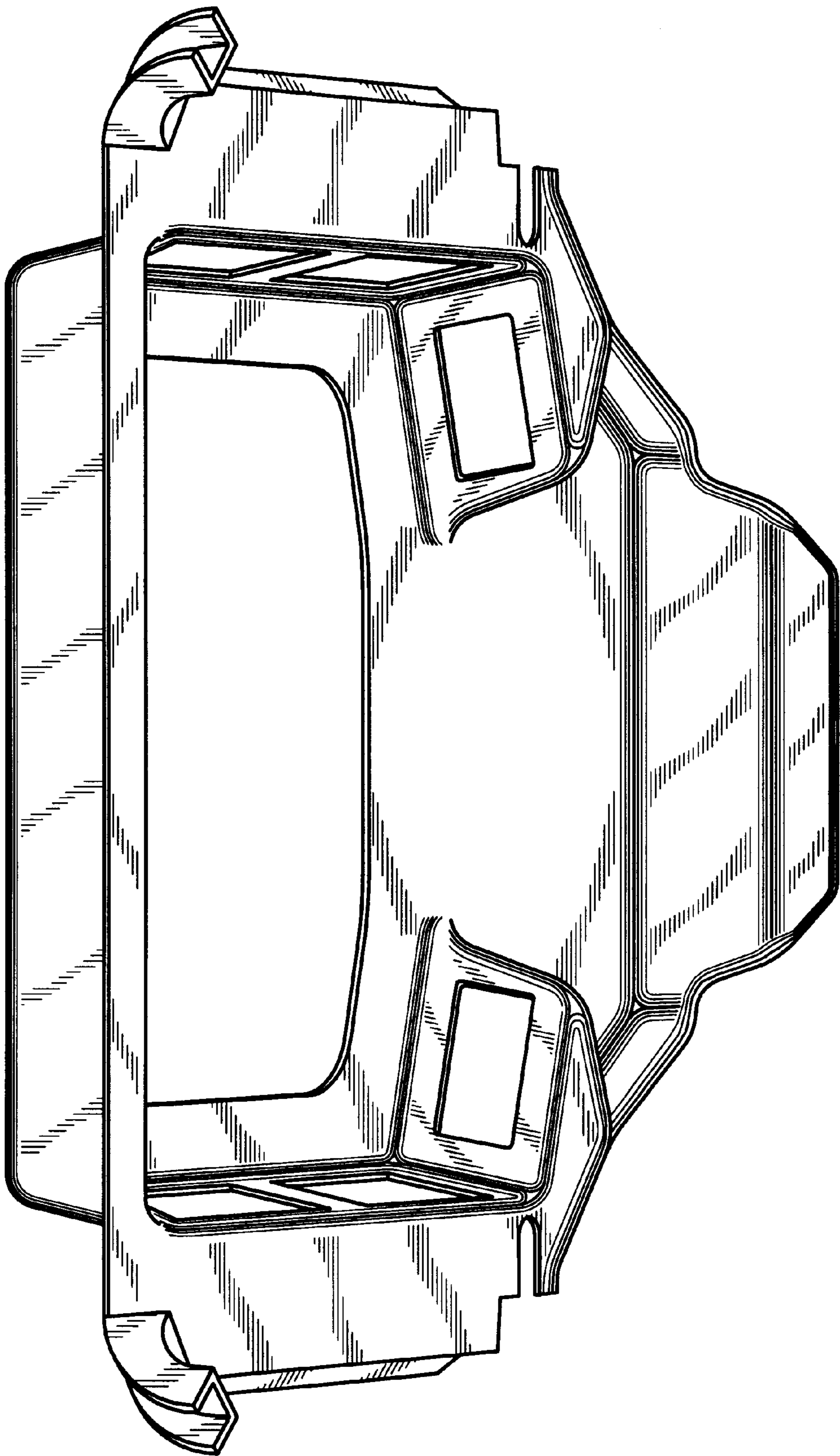
We claim the ornamental design for an instrument panel, as shown and described.

**DESCRIPTION**

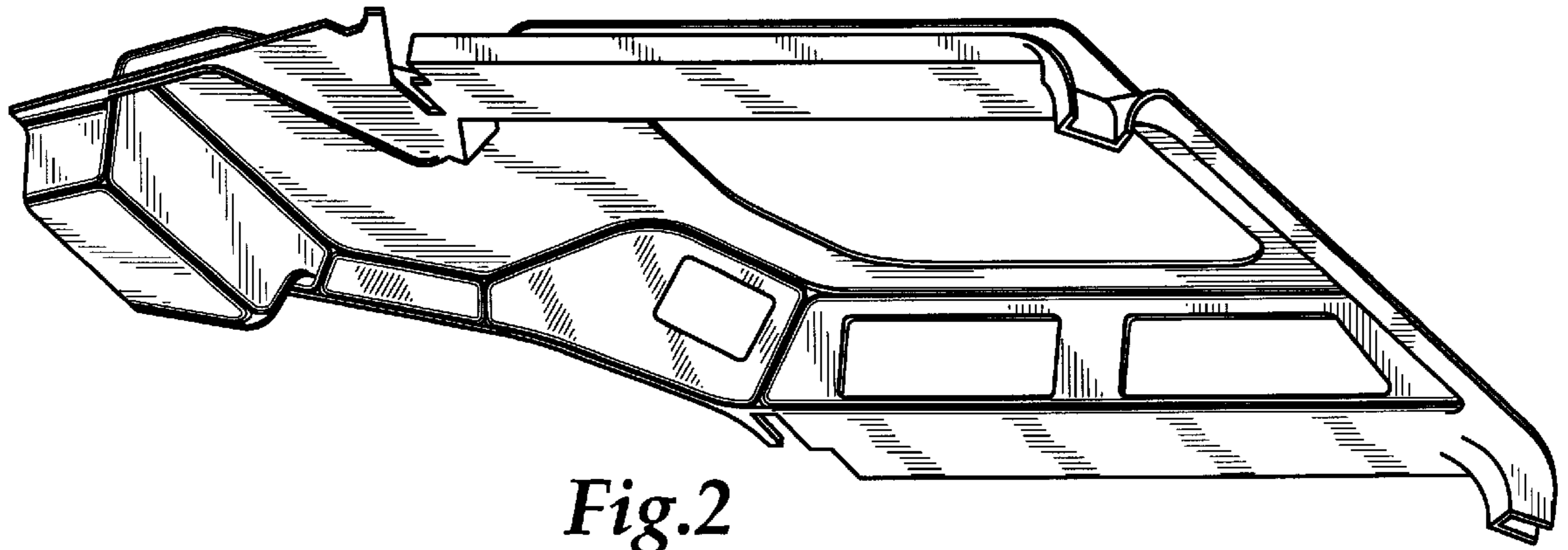
FIG. 1 is a perspective view illustrating an instrument panel, showing our new design;  
FIG. 2 is a side perspective view thereof;  
FIG. 3 is a bottom plan view thereof;  
FIG. 4 is a top plan view thereof;  
FIG. 5 is a right side elevational view thereof;  
FIG. 6 is a left side elevational view thereof;  
FIG. 7 is a front elevation view thereof; and,  
FIG. 8 is a rear elevation view thereof.  
The elements shown in broken lines are for illustrative purposes only.

**1 Claim, 4 Drawing Sheets**

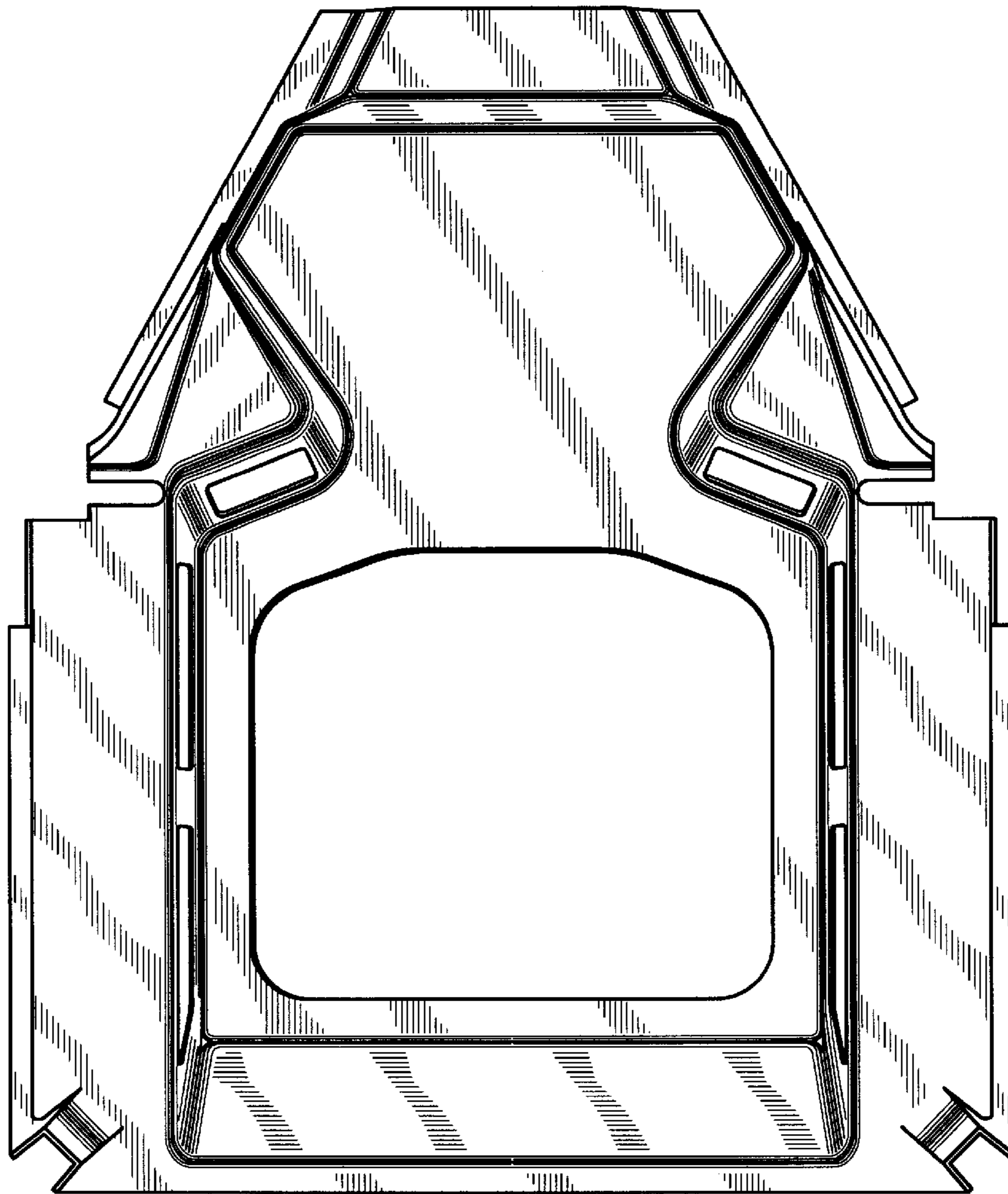




*Fig. 1*

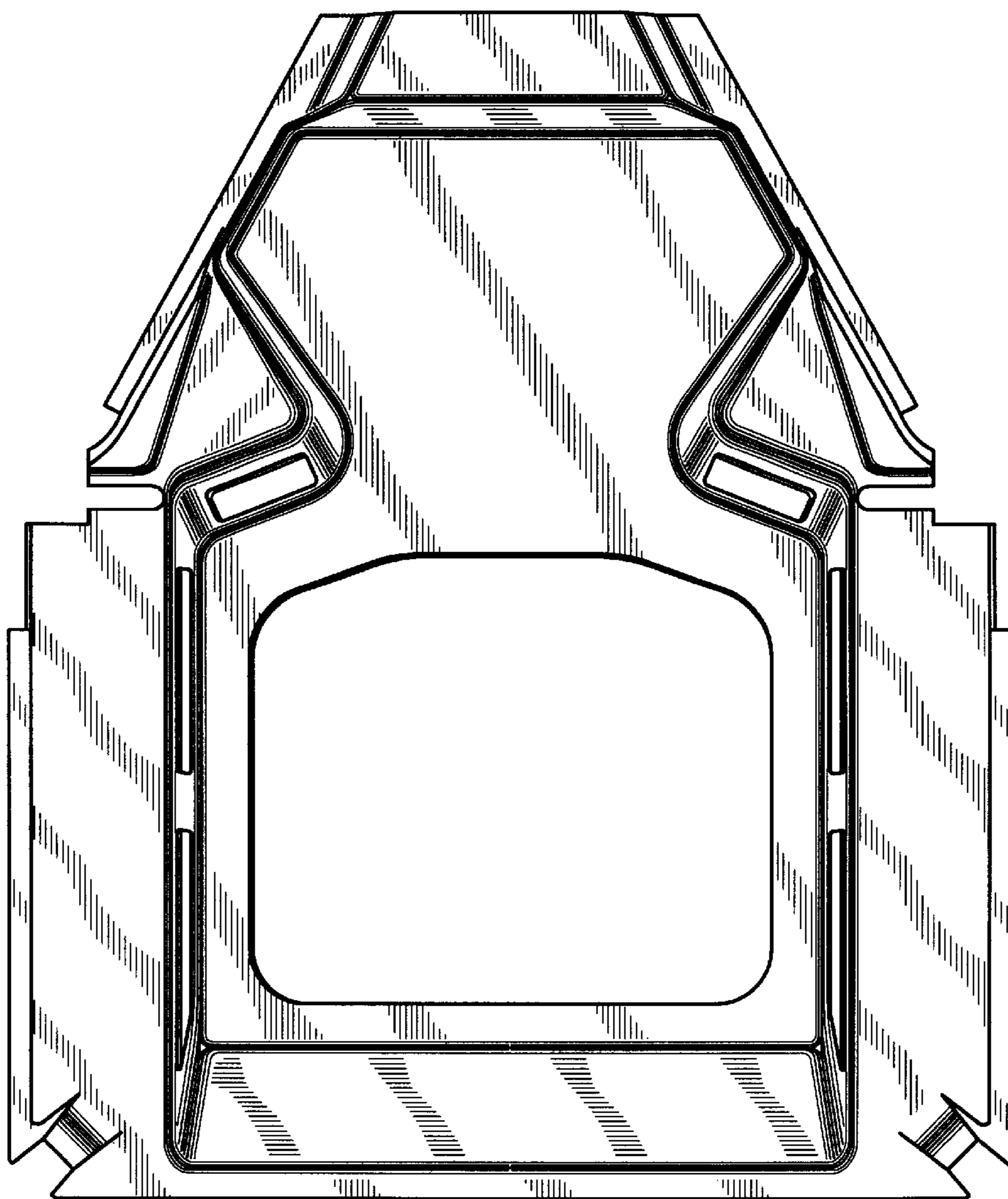


*Fig.2*



*Fig.3*





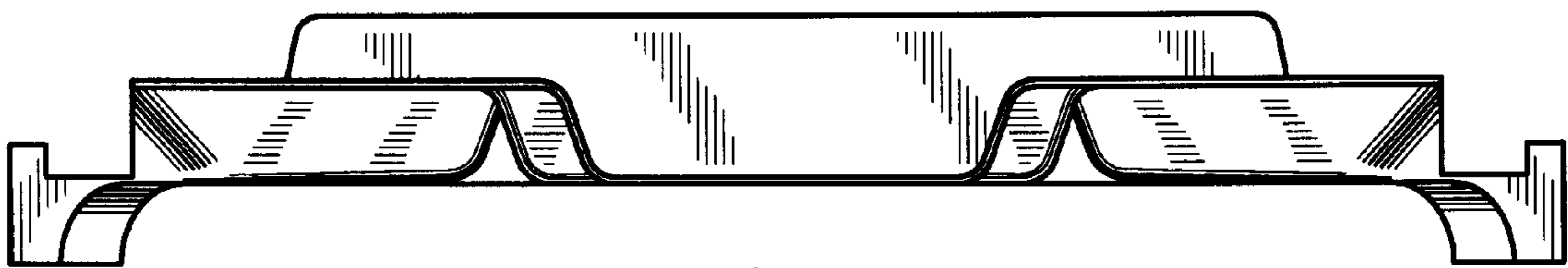
*Fig.4*



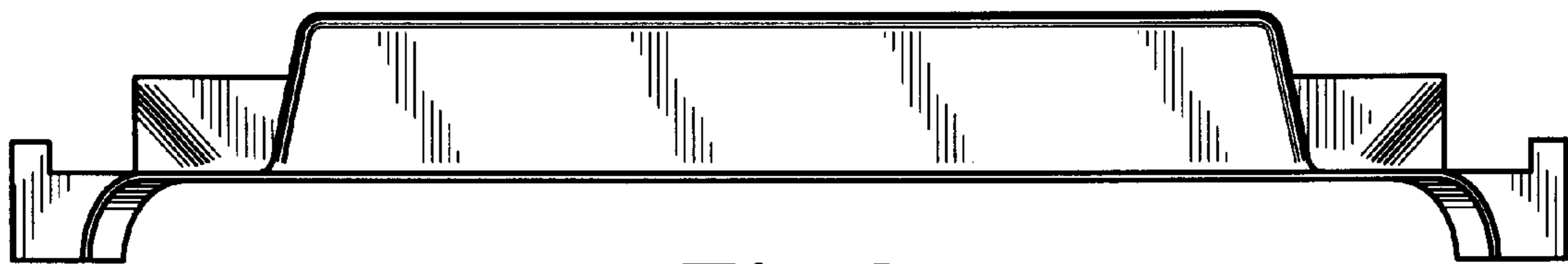
*Fig.5*



*Fig.6*



*Fig.7*



*Fig.8*