



US00D427612S

United States Patent [19] Shim

[11] **Patent Number: Des. 427,612**

[45] **Date of Patent: ** Jul. 4, 2000**

[54] **FORKLIFT TRUCK CABIN**

[75] **Inventor: Hong Sub Shim, Seoul, Rep. of Korea**

[73] **Assignee: Daewoo Heavy Industries Ltd.,
Incheon, Rep. of Korea**

[**] **Term: 14 Years**

[21] **Appl. No.: 29/106,933**

[22] **Filed: Jun. 25, 1999**

[30] **Foreign Application Priority Data**

Dec. 31, 1998 [KR] Rep. of Korea 98-23497

[51] **LOC (7) Cl. 12-16**

[52] **U.S. Cl. D15/23; D34/34; D12/96**

[58] **Field of Search D12/96, 14, 1;
D15/23, 25; D34/34-37; 180/22, 24, 89.12;
414/788.2, 503, 914; 280/756; 296/102**

[56] **References Cited**

U.S. PATENT DOCUMENTS

D. 270,350 8/1983 Chaney et al. D15/23

D. 312,643 12/1990 Gogen et al. D15/23
D. 348,553 7/1994 Martin, Jr. D34/37
D. 353,704 12/1994 Bhambra D34/37
D. 362,099 9/1995 Heilar D34/34

Primary Examiner—Melody N. Brown
Attorney, Agent, or Firm—Staas & Halsey

[57] **CLAIM**

The ornamental design for a forklift truck cabin, as shown and described.

DESCRIPTION

FIG. 1 is a perspective view of a forklift truck cabin according to my new design, with transparent windows indicated in oblique line shadings;
FIG. 2 is a front elevational view thereof;
FIG. 3 is a rear elevational view thereof;
FIG. 4 is a right side elevational view thereof which is the mirror image of a left side elevational view;
FIG. 5 is a top plan view thereof; and,
FIG. 6 is a bottom plan view thereof.

1 Claim, 6 Drawing Sheets

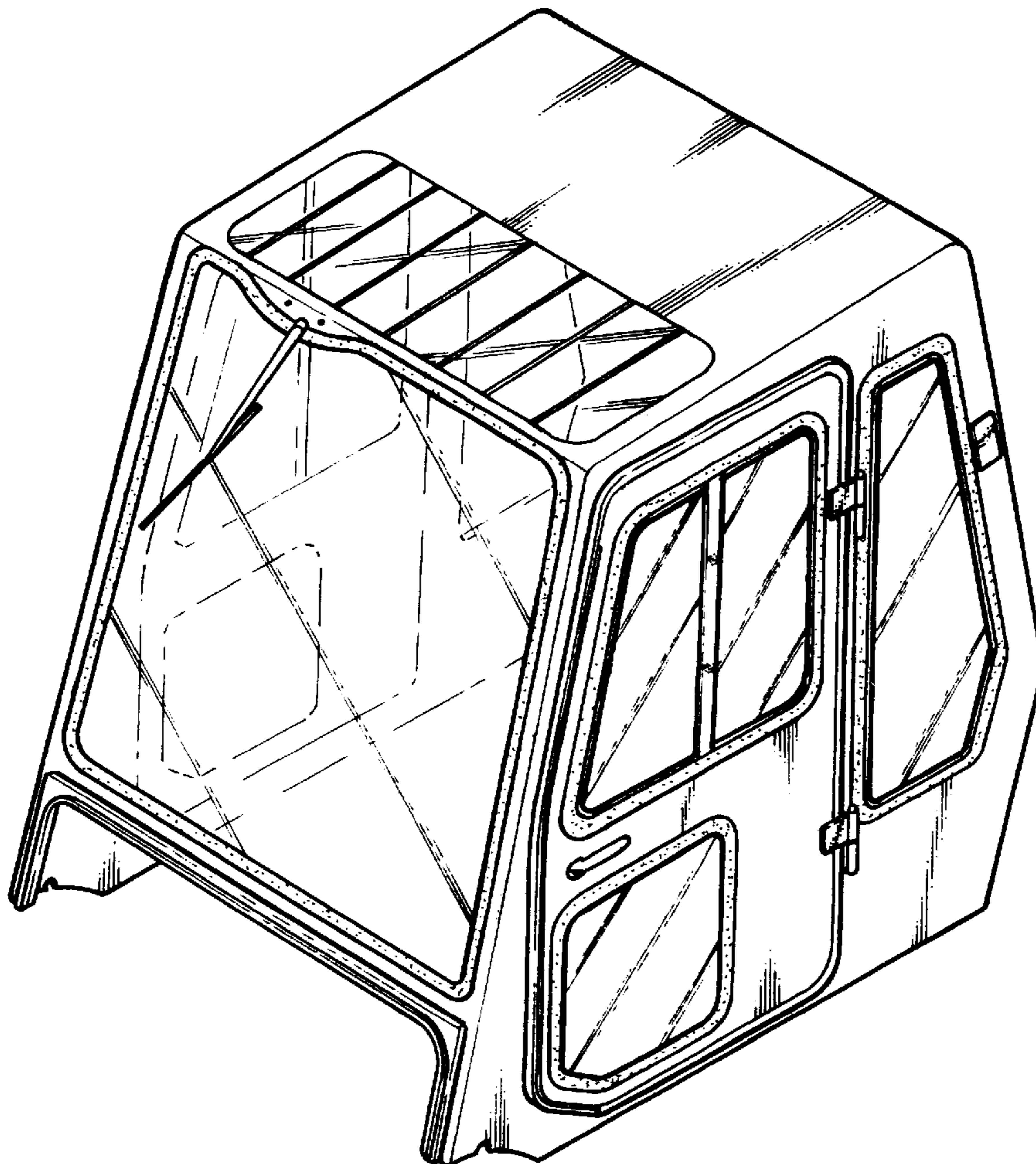


FIG. 1

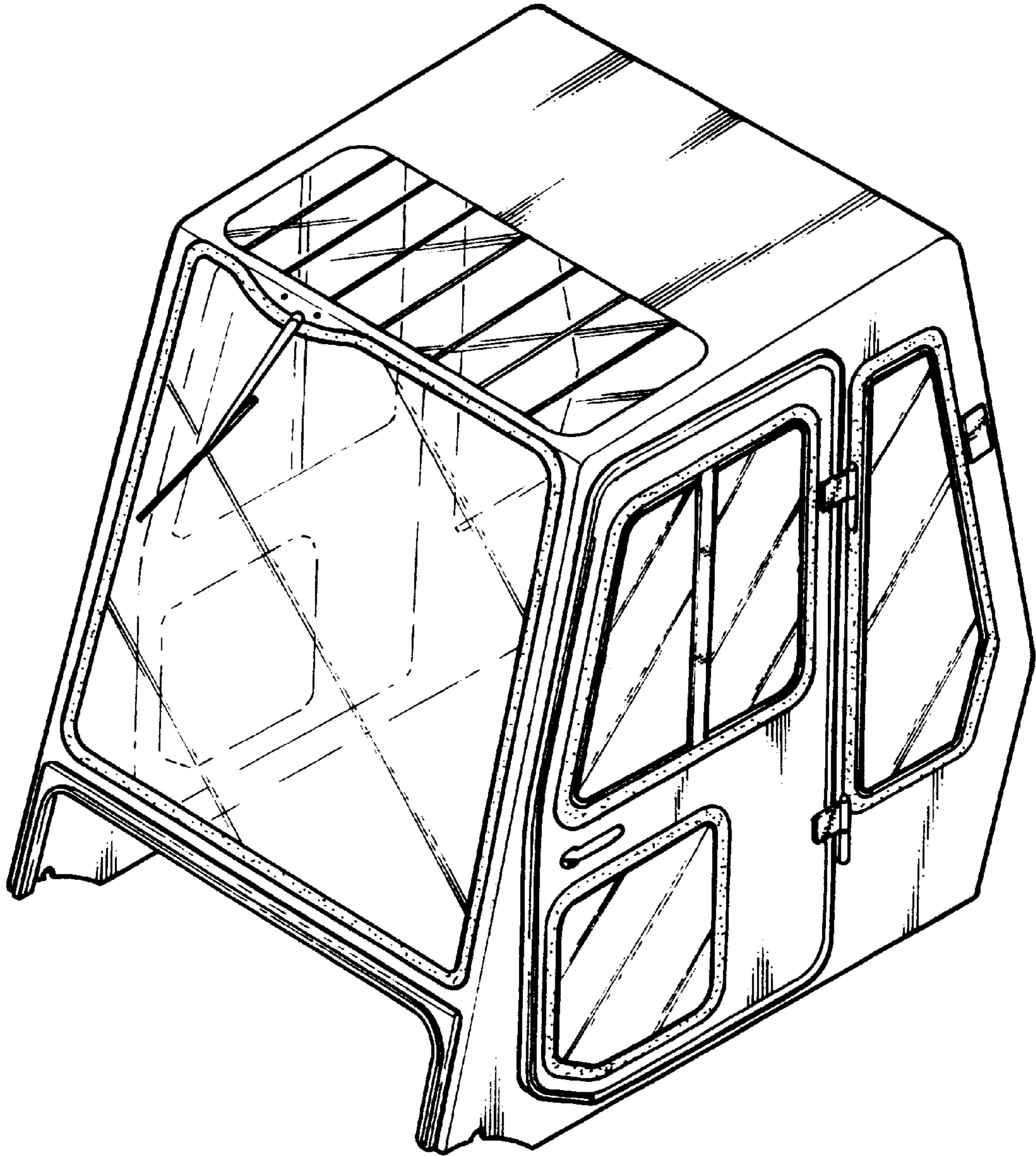


FIG. 2

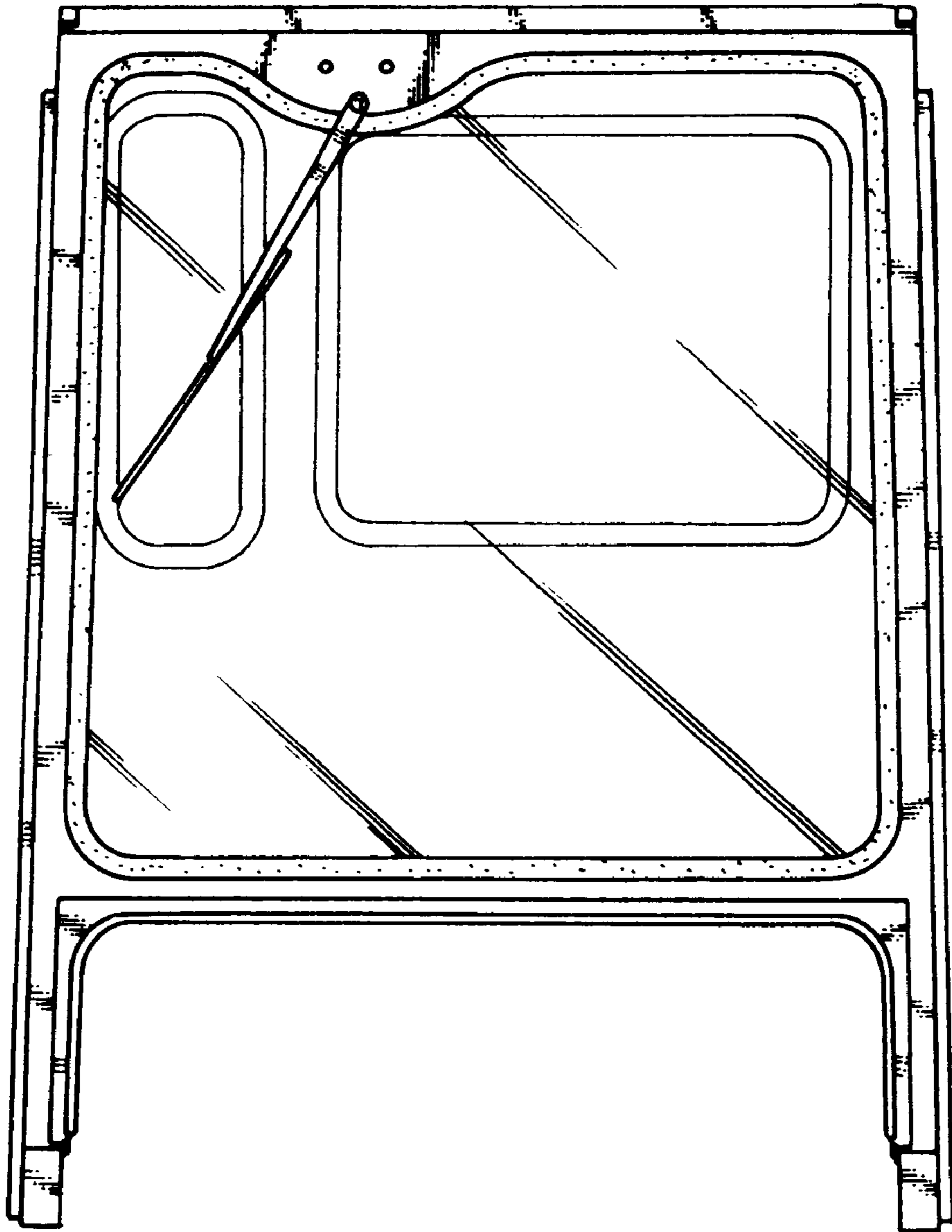


FIG. 3

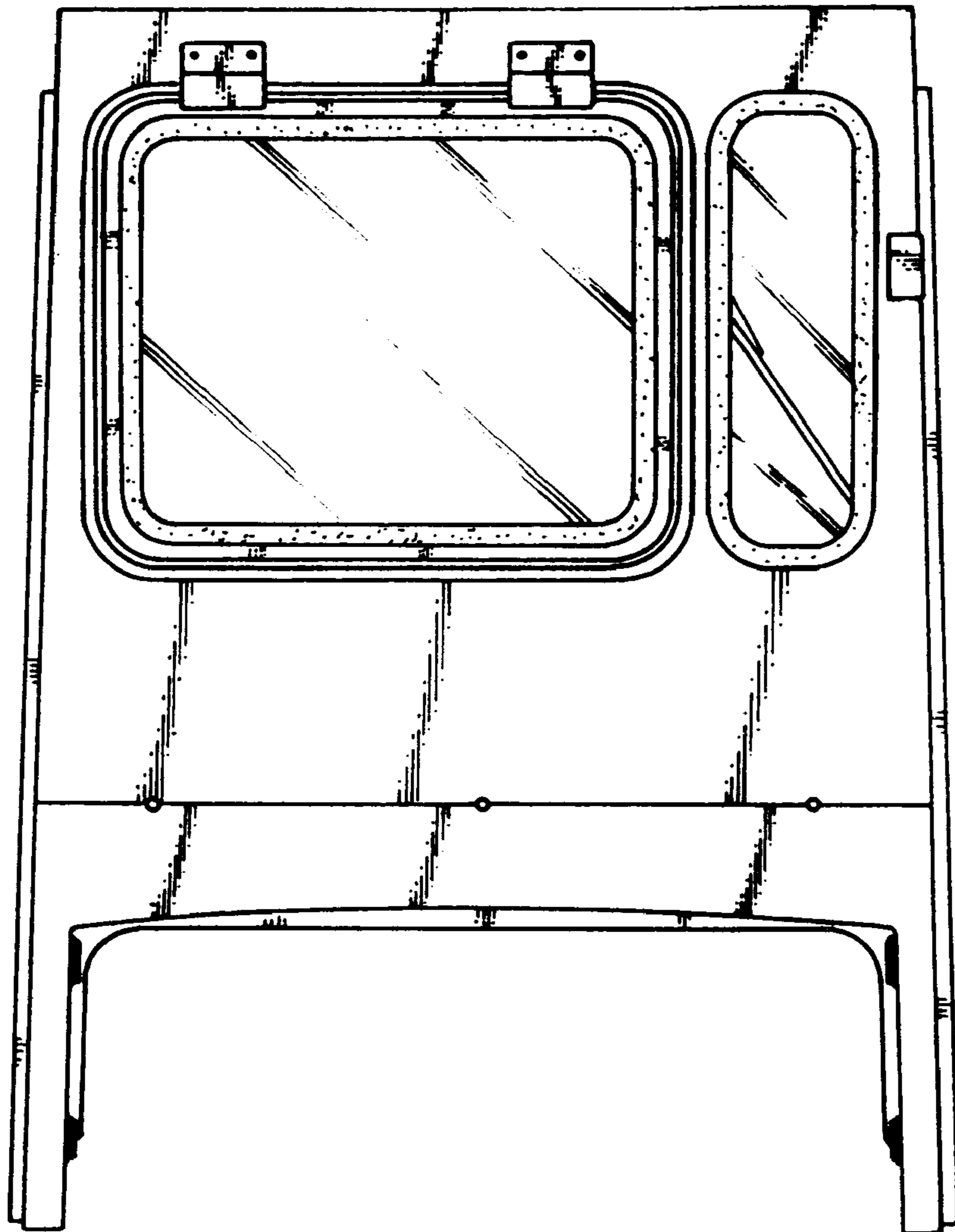


FIG. 4

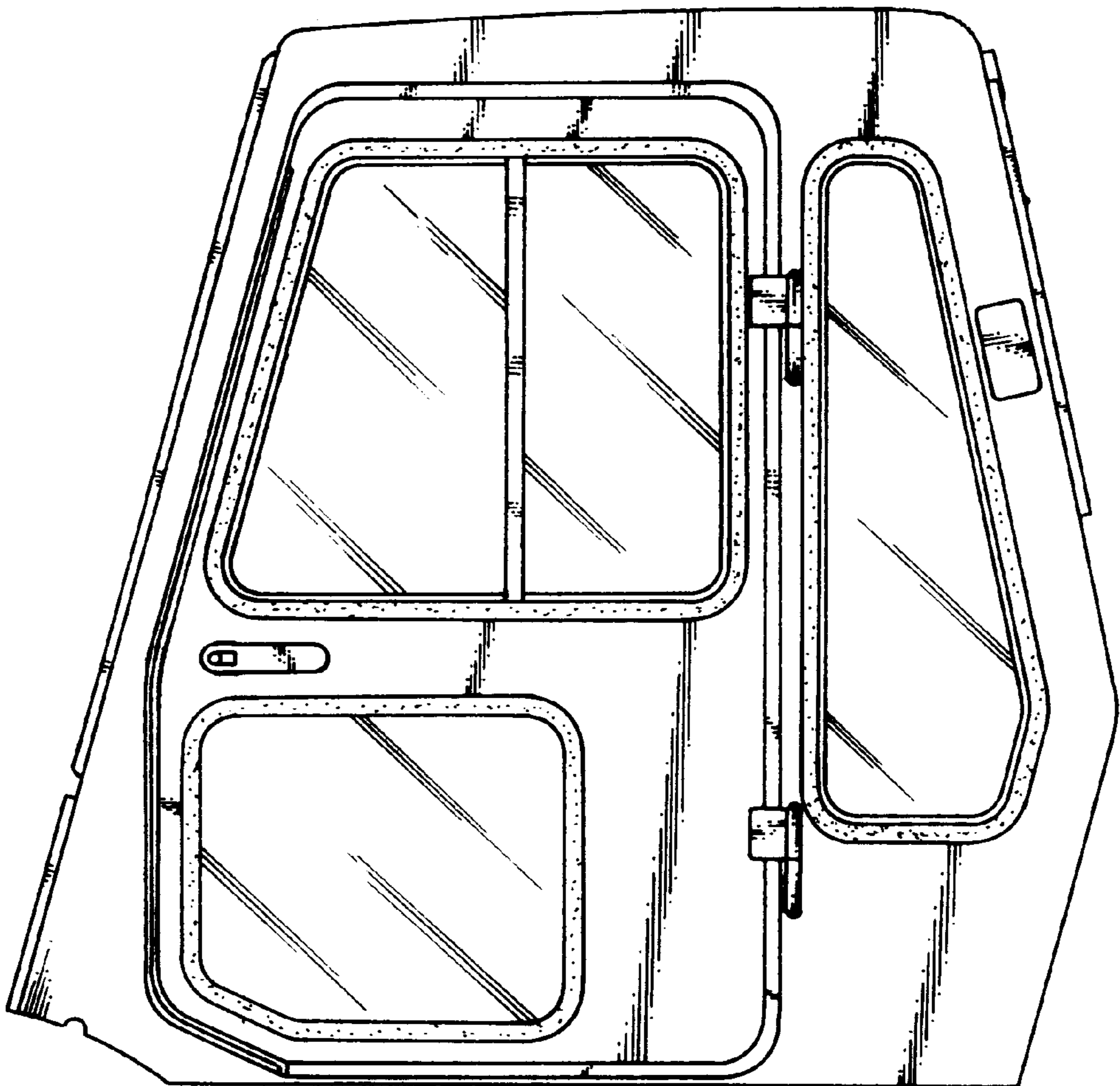


FIG. 5

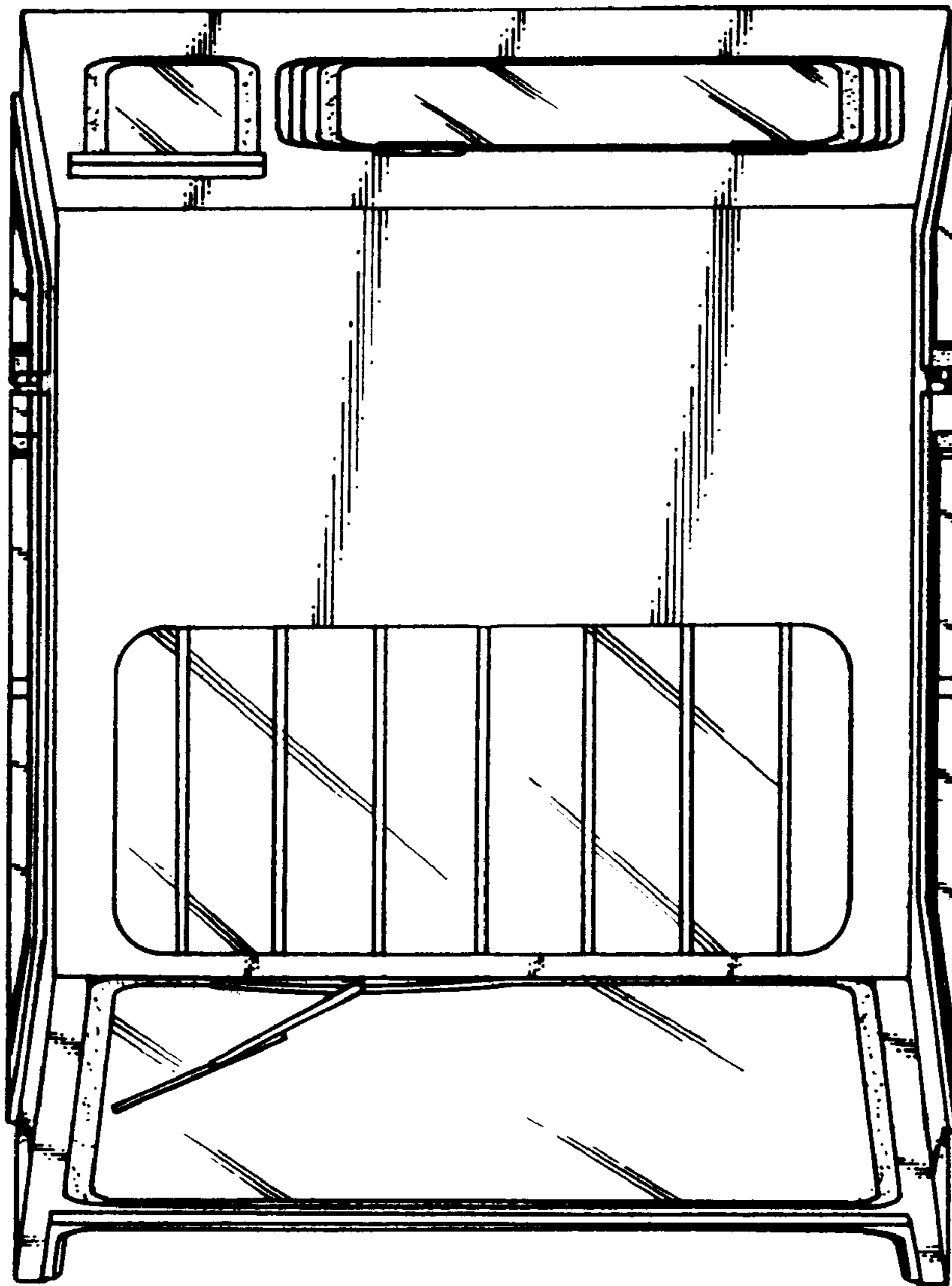


FIG. 6

