



US00D427605S

United States Patent [19]

Schmidt et al.

[11] Patent Number: Des. 427,605

[45] Date of Patent: ** Jul. 4, 2000

[54] STAND FOR HAND HELD OPTICAL SCANNER

D. 400,589 11/1998 Ham D14/453 X
D. 418,500 1/2000 Giordano et al. .

[75] Inventors: Mark C. Schmidt, Williamstown, N.J.;
Garrett K. Russell, Newark, Del.;
Charles P. Naylor, Sewell, N.J.

Primary Examiner—M. H. Tung
Attorney, Agent, or Firm—Nancy A. Smith

[73] Assignee: Metrologic Instruments, Inc.,
Blackwood, N.J.

[57] CLAIM

[**] Term: 14 Years

The ornamental design for a stand for a hand held optical scanner, as shown and described.

[21] Appl. No.: 29/113,689

[22] Filed: Nov. 9, 1999

[51] LOC (7) Cl. 14-02

[52] U.S. Cl. D14/453

[58] Field of Search D14/453, 457,
D14/426-31; 248/917-24; 235/375, 378,
385, 454, 462.15, 472.02; 211/69.1-69.9

DESCRIPTION

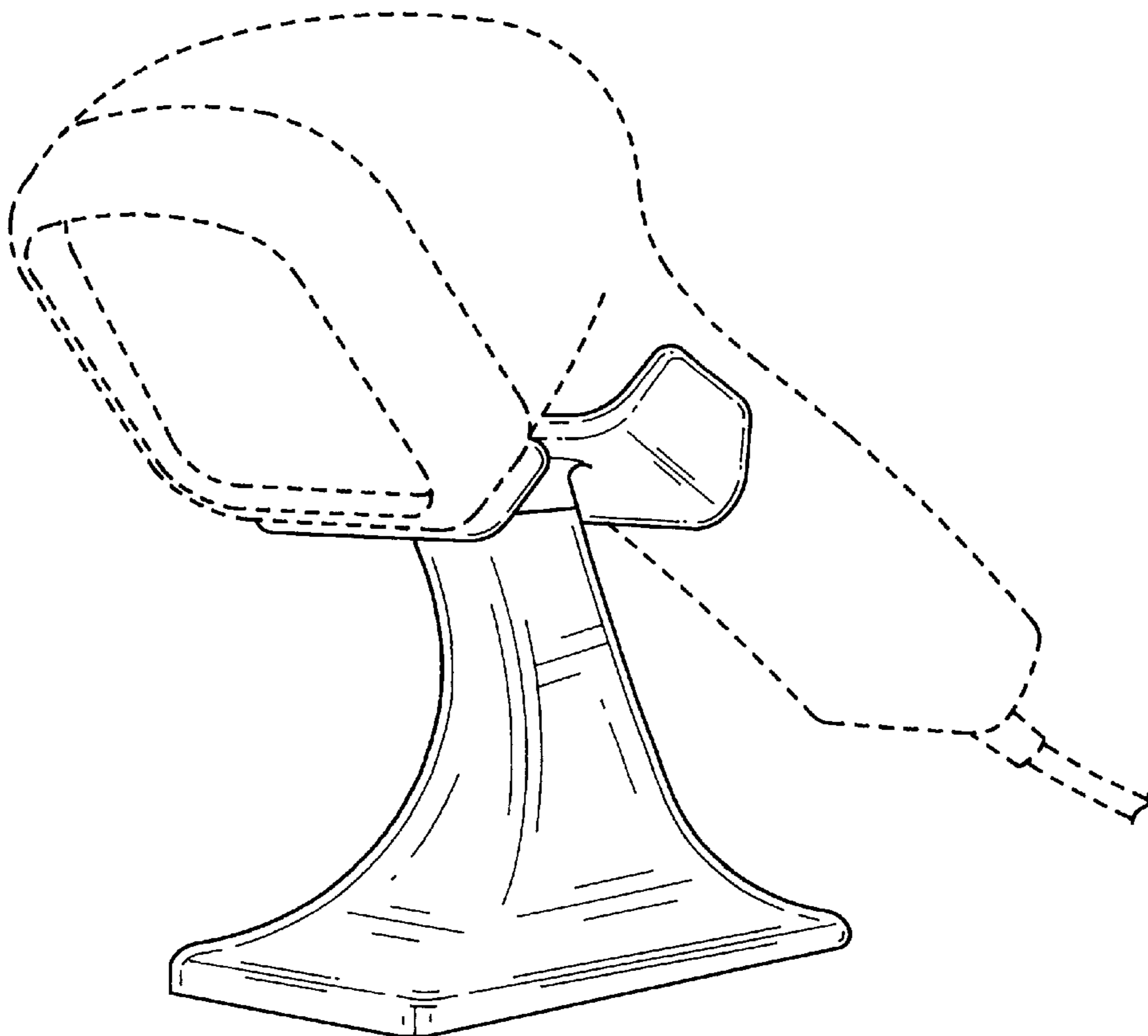
FIG. 1 is a rear view of the stand for a hand held optical scanner of the present invention;
FIG. 2 is a front view of the stand for a hand held optical scanner of the present invention;
FIG. 3 is a right side view of the stand for a hand held optical scanner of the present invention;
FIG. 4 is a left side view of the stand for a hand held optical scanner of the present invention;
FIG. 5 is a top view of the stand for a hand held optical scanner of the present invention;
FIG. 6 is a bottom view of the stand for a hand held optical scanner of the present invention; and,
FIG. 7 is a perspective view of the stand for a hand held optical scanner of the present invention, on a reduced scale, the broken line drawing of a hand held optical scanner is for illustrative purposes only and forms no part of the claimed design.

[56] References Cited

U.S. PATENT DOCUMENTS

D. 316,087	4/1991	Meckstroth et al.	D14/453
D. 317,911	7/1991	Yokoi	D14/453
D. 350,127	8/1994	Gummeson et al.	D14/453
D. 359,483	6/1995	Saunders et al. .	
D. 388,415	12/1997	Seabert	D14/453
D. 396,033	7/1998	Ahearn et al.	D14/457

1 Claim, 4 Drawing Sheets



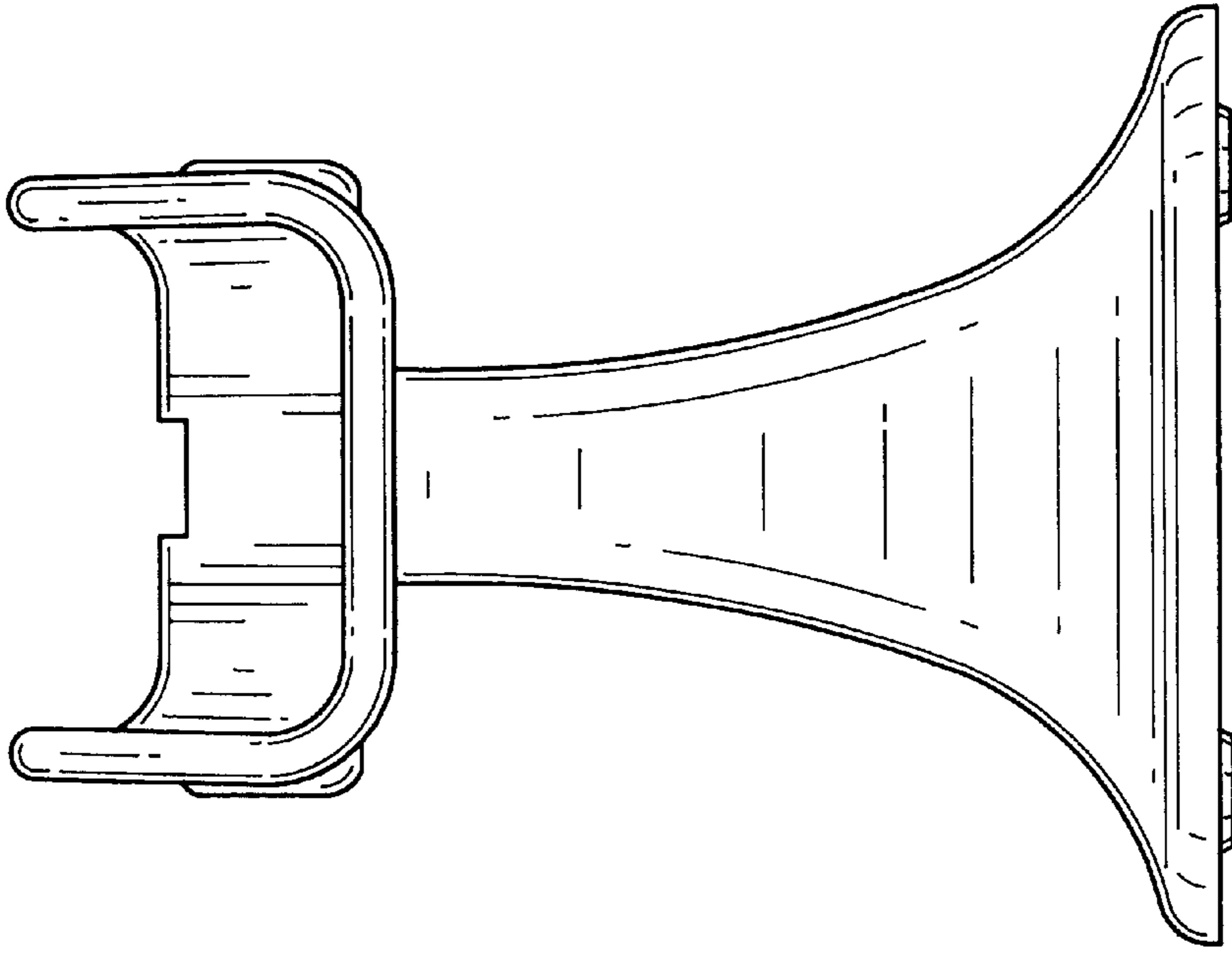


FIG. 2

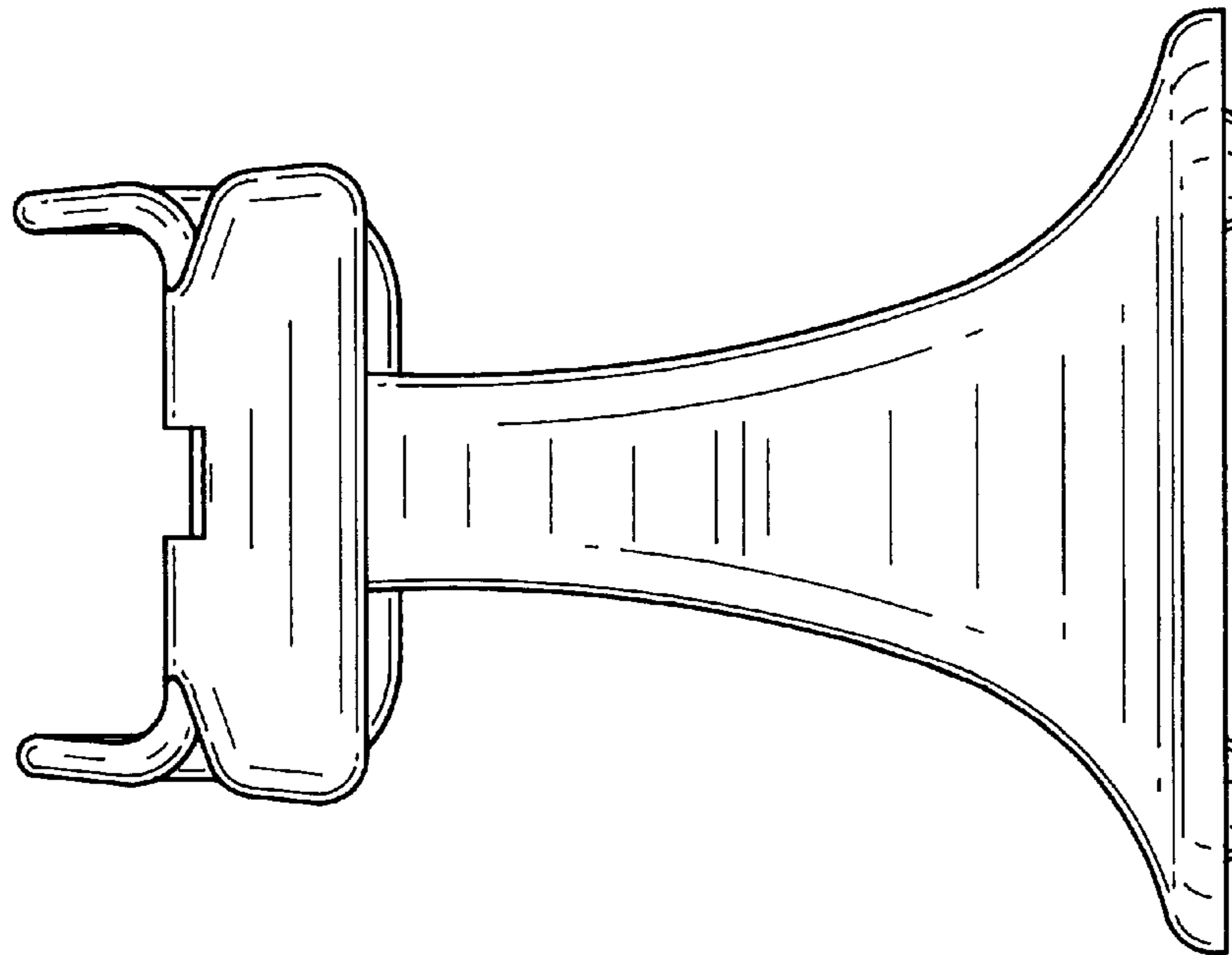


FIG. 1

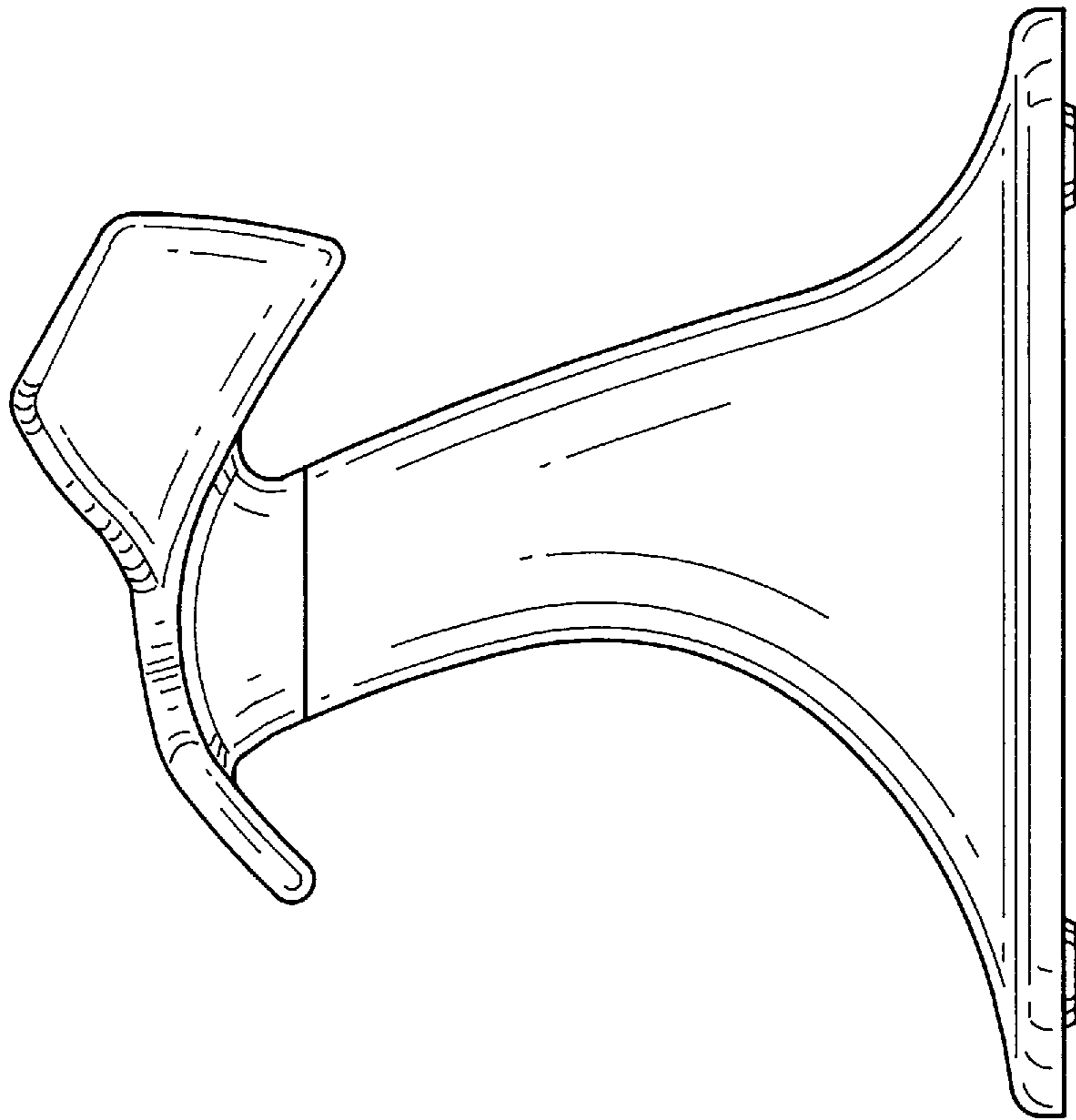


FIG. 3

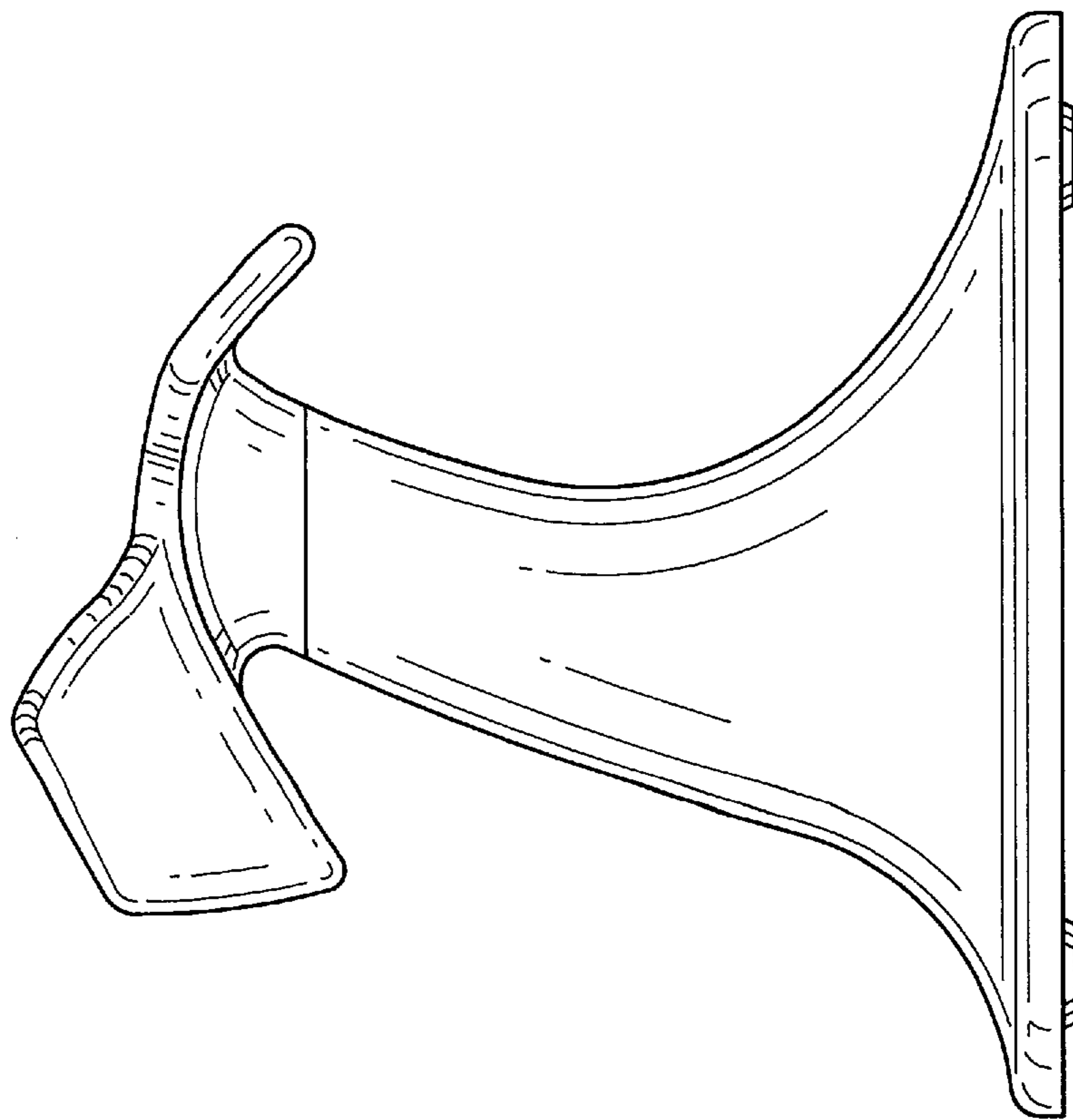


FIG. 4

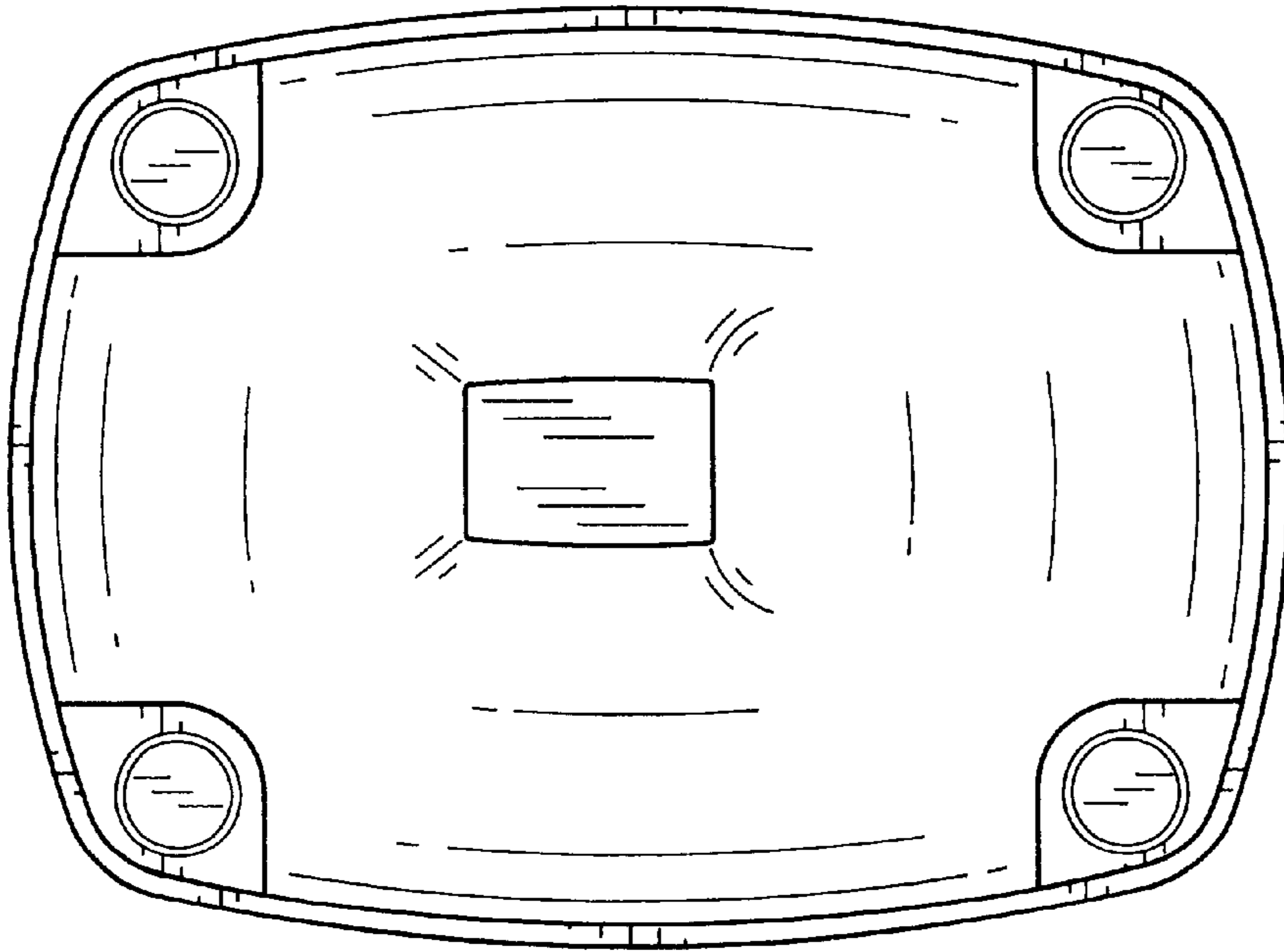


FIG. 6

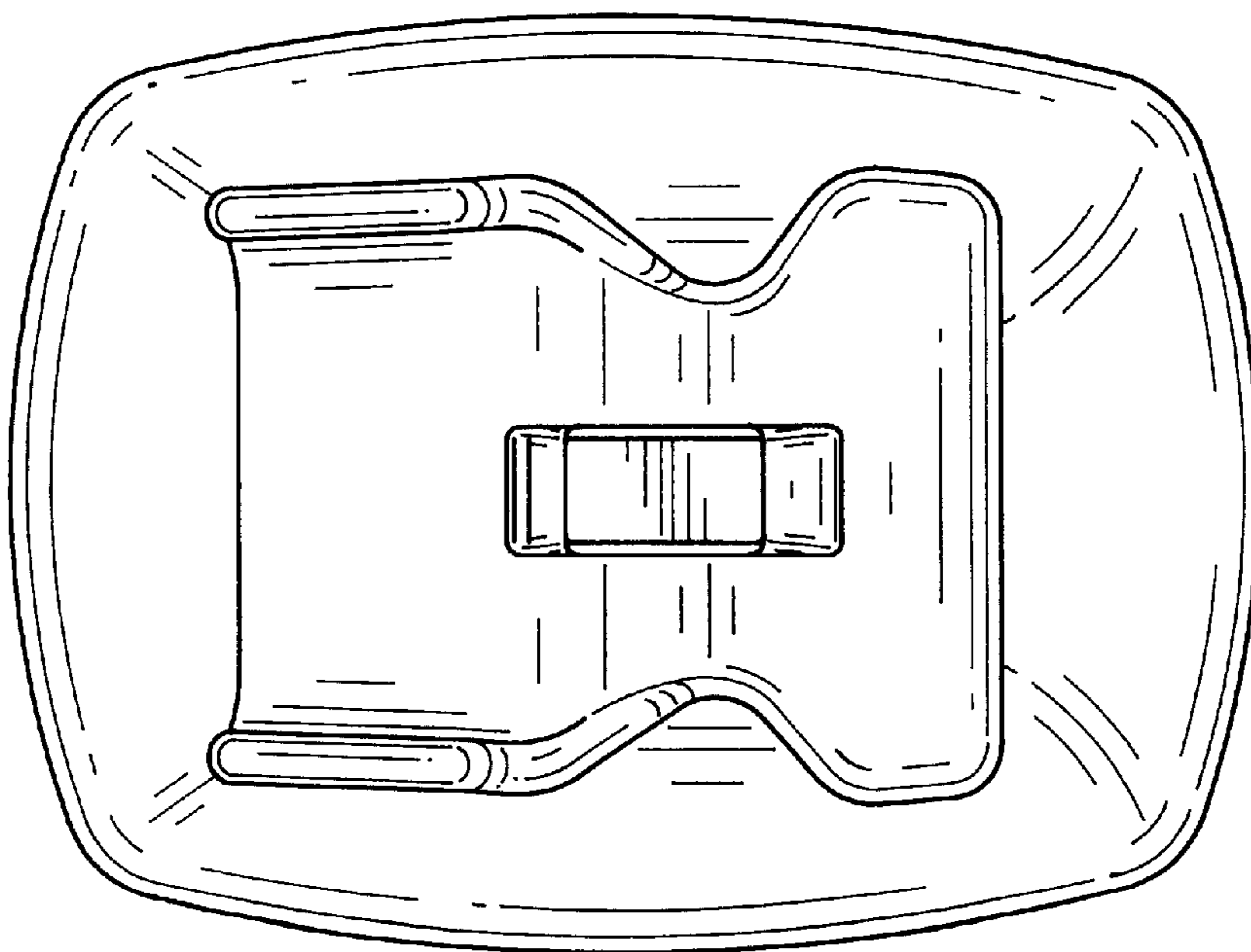


FIG. 5

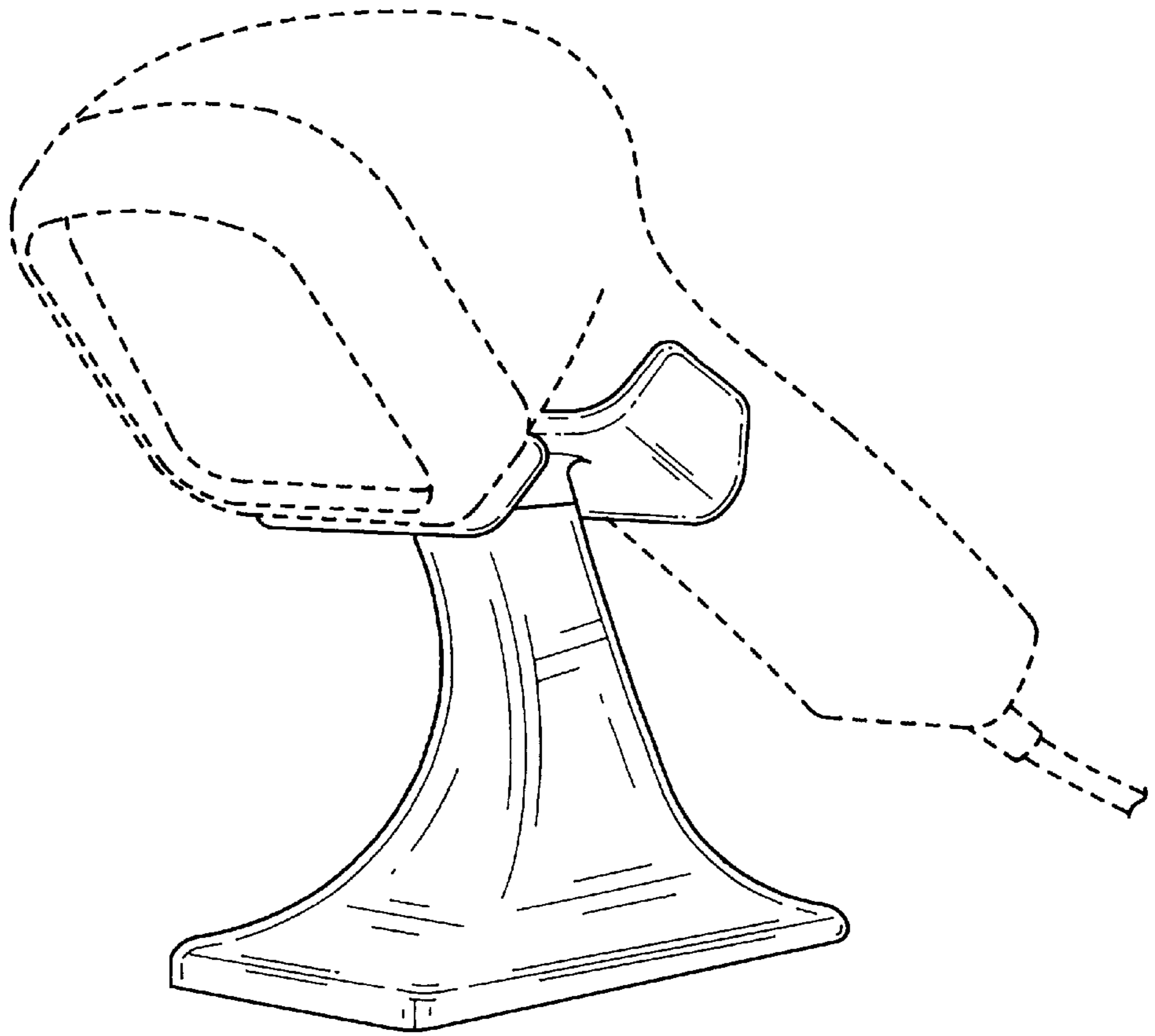


FIG. 7