



US00D427604S

United States Patent [19] Rosen

[11] Patent Number: Des. 427,604

[45] Date of Patent: ** *Jul. 4, 2000

[54] MONITOR SUPPORT ARM

[75] Inventor: John B. Rosen, Eugene, Oreg.

[73] Assignee: Rosen Products LLC, Eugene, Oreg.

[*] Notice: This patent is subject to a terminal disclaimer.

[**] Term: 14 Years

[21] Appl. No.: 29/084,068

[22] Filed: Feb. 23, 1998

Related U.S. Application Data

[63] Continuation-in-part of application No. 29/070,502, May 8, 1997, Pat. No. Des. 391,148.

[51] LOC (7) Cl. 14-02

[52] U.S. Cl. D14/447

[58] Field of Search D14/100, 114;
D6/422, 425, 430, 436-7, 449, 509-12;
248/917-24, 670, 675-6, 678; 364/188-90;
211/90, 153; 312/198, 204-5, 208, 270.3,
306, 348.5

[56] References Cited

U.S. PATENT DOCUMENTS

- D. 296,212 6/1988 Arney D14/114
- D. 340,235 10/1993 Robak et al. .
- D. 360,126 7/1995 Rosen .
- D. 367,477 2/1996 Rosen .
- D. 386,158 11/1997 Rosen D14/113
- D. 391,148 2/1998 Rosen D14/114 X

- D. 391,937 3/1998 Rosen D14/114
- D. 391,945 3/1998 Rosen D14/114
- D. 395,874 7/1998 Rosen D14/114
- 4,836,486 6/1989 Vossoughi et al. .
- 5,076,524 12/1991 Reh et al. .
- 5,177,616 1/1993 Riday .
- 5,179,447 1/1993 Lain .
- 5,195,709 3/1993 Yasushi .
- 5,222,780 6/1993 Reh et al. .
- 5,271,590 12/1993 Rosen .
- 5,697,588 12/1997 Gonzalez et al. .
- 5,850,997 12/1998 Rosen .

Primary Examiner—M. H. Tung
Attorney, Agent, or Firm—Kolisch, Hartwell, Dickinson,
McCormack & Heuser

[57] CLAIM

The ornamental design for a monitor support arm, as shown and described.

DESCRIPTION

FIG. 1 is an isometric view of a monitor support arm; FIG. 2 is a front elevational view of the monitor support arm shown in FIG. 1; FIG. 3 is a rear elevational view thereof; FIG. 4 is a right-side view thereof; FIG. 5 is a left-side view thereof; FIG. 6 is a top plan view thereof; and, FIG. 7 is a bottom plan view thereof.

The broken line drawings of the center portion of the arm, the bottom portion of the connecting element, and the monitor in the views are for illustrative purposes only and forms no part of the claimed design.

1 Claim, 2 Drawing Sheets

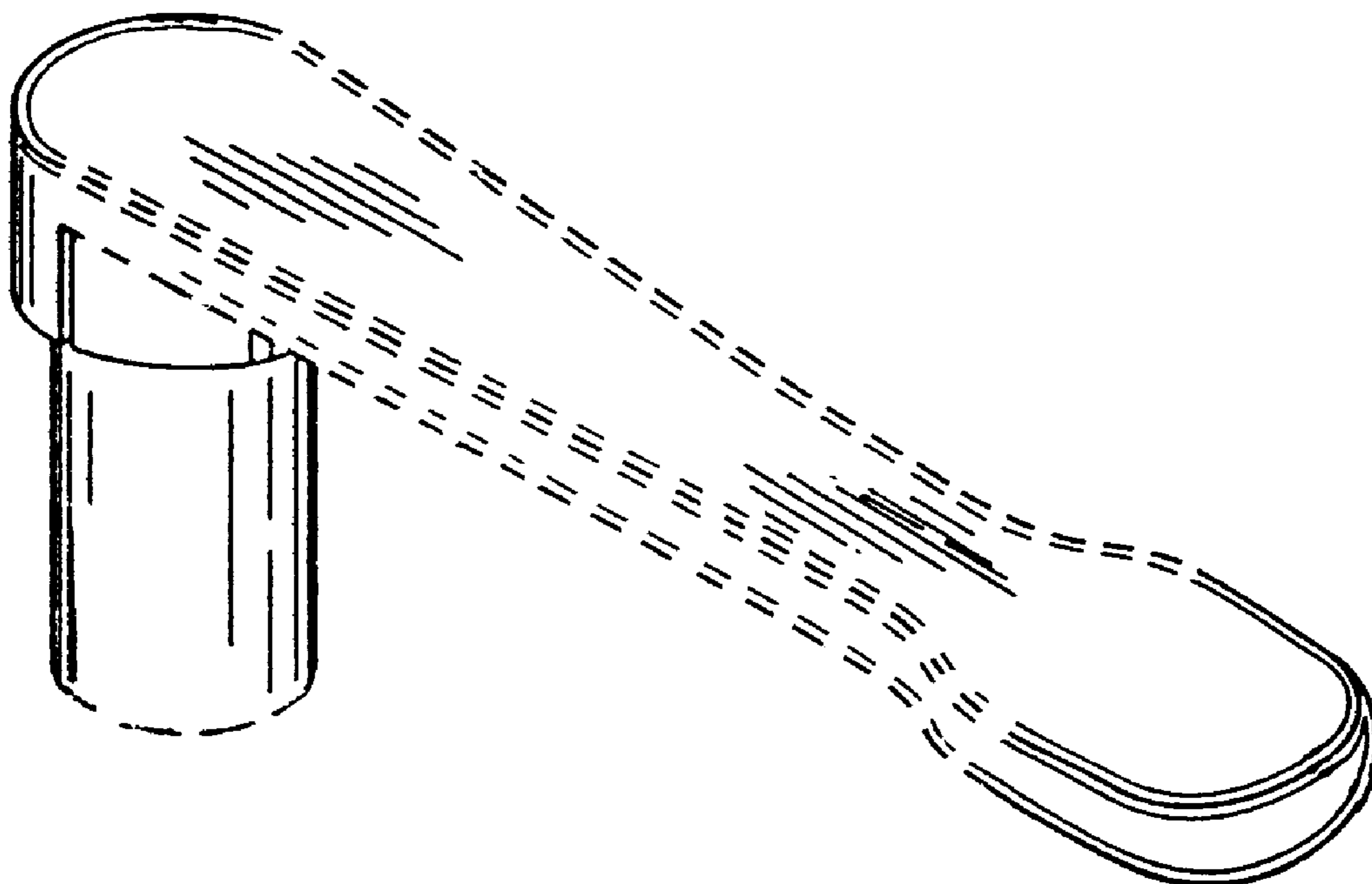


FIG. 1

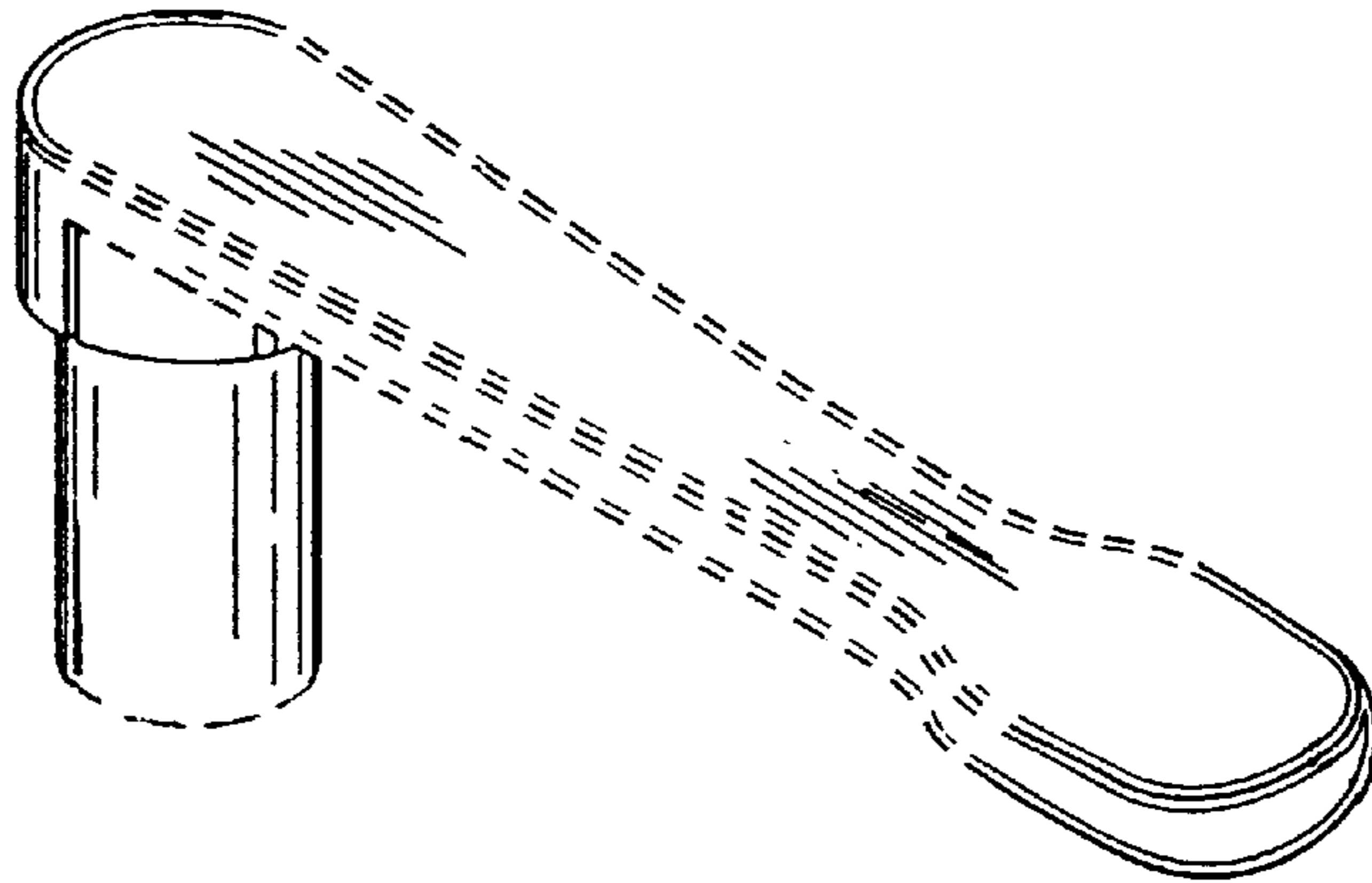


FIG. 2

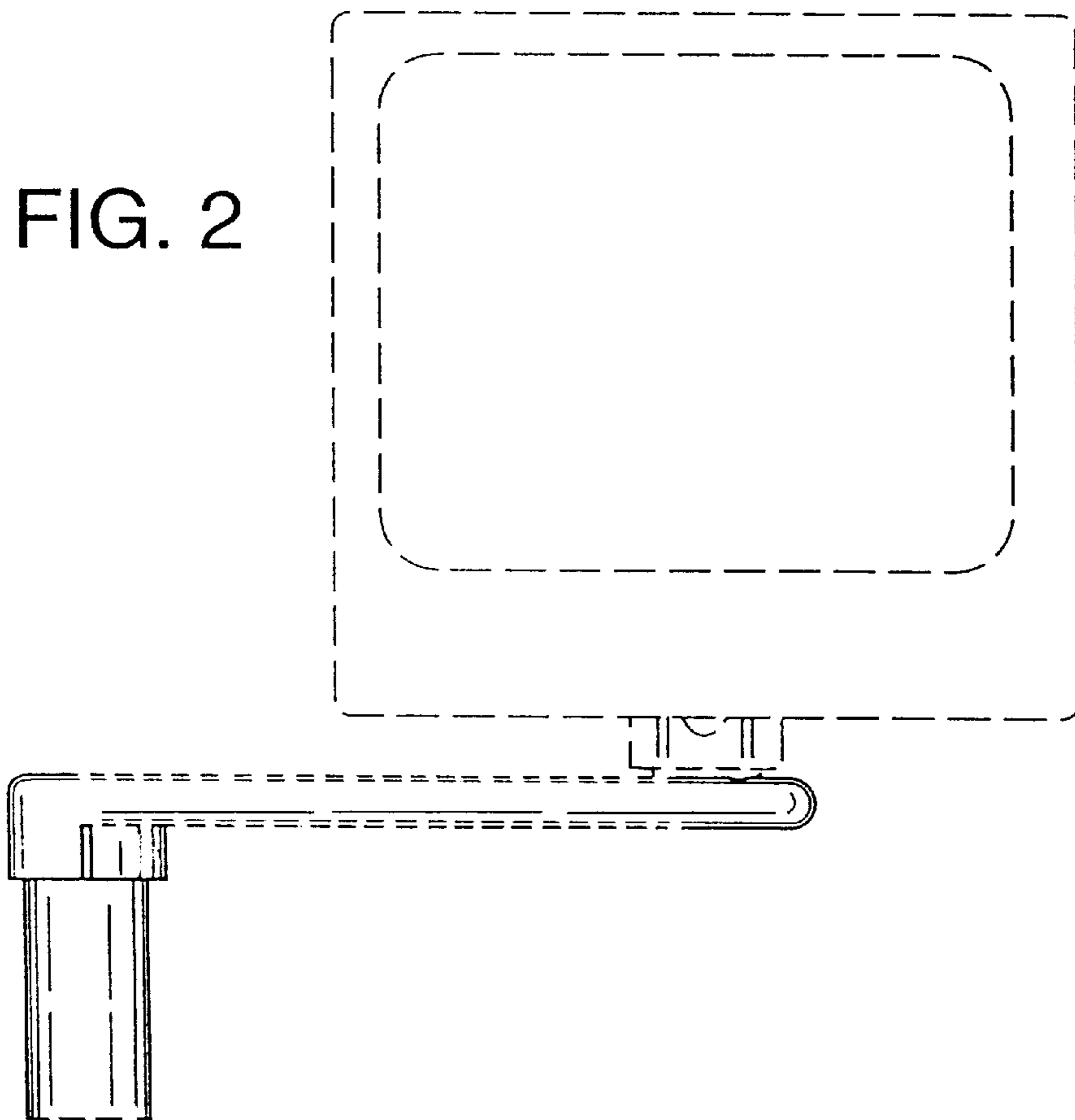


FIG. 6

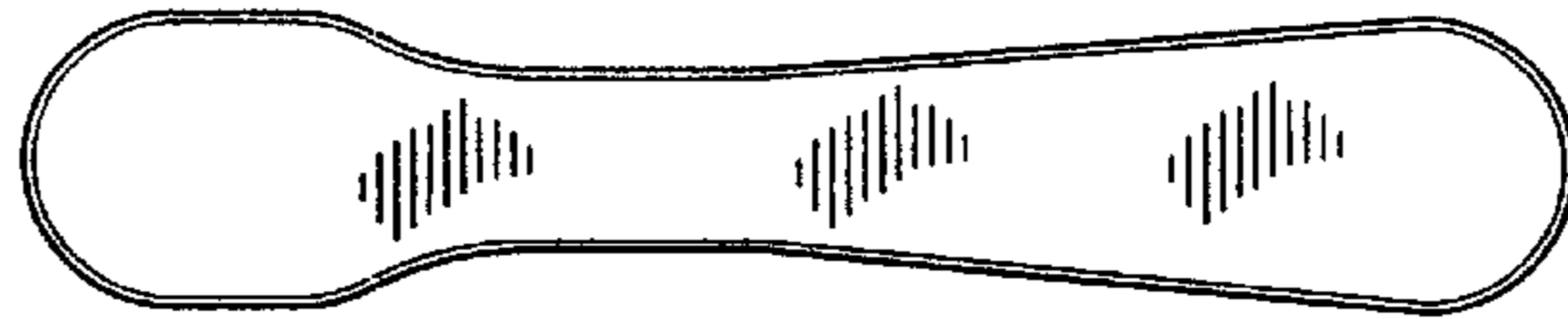


FIG. 4



FIG. 5



FIG. 3

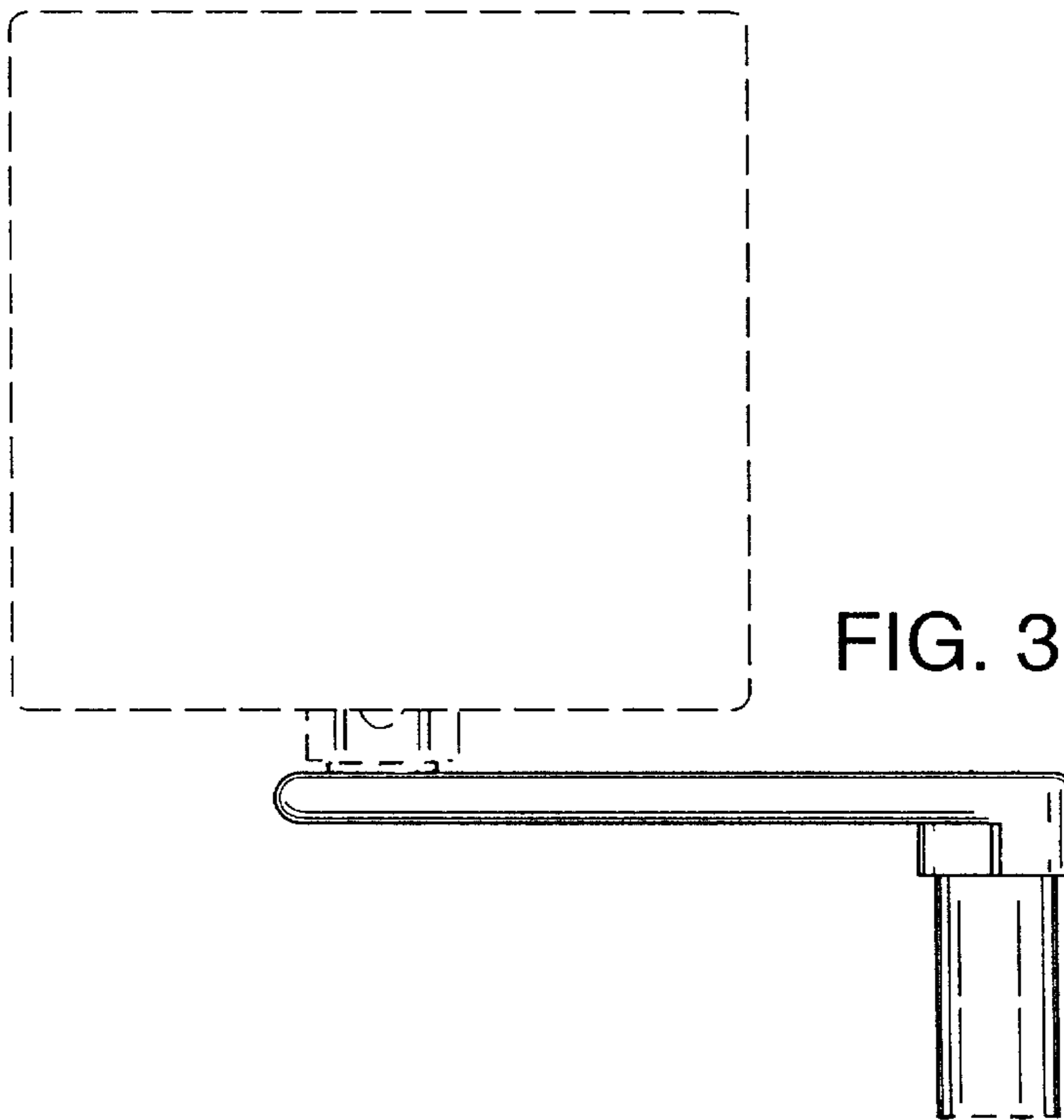


FIG. 7

