



US00D427600S

# United States Patent [19]

Pröbstel et al.

[11] **Patent Number: Des. 427,600**

[45] **Date of Patent: \*\* Jul. 4, 2000**

[54] **REMOTE CONTROL DEVICE**

[75] Inventors: **Robert Pröbstel**, Denkendorf; **Harald Metzger**, Fliderstadt, both of Germany

[73] Assignee: **Putzmeister Aktiengesellschaft**, Germany

[\*\*] Term: **14 Years**

[21] Appl. No.: **29/102,420**

[22] Filed: **Mar. 23, 1999**

[30] **Foreign Application Priority Data**

Sep. 23, 1998 [DE] Germany ..... 498 09 381

[51] **LOC (7) Cl.** ..... **14-02**

[52] **U.S. Cl.** ..... **D14/414**

[58] **Field of Search** ..... 463/30-38, 46-47; 273/148 B; D14/414, 413, 412

[56] **References Cited**

**U.S. PATENT DOCUMENTS**

- D. 394,885 6/1998 Chan ..... D14/117.1
- D. 415,485 10/1999 Lefier et al. .... D14/117.1

*Primary Examiner*—Brian N. Vinson  
*Attorney, Agent, or Firm*—Pendorf & Cutliff

[57] **CLAIM**

The ornamental design for a remote control device, as shown and described.

**DESCRIPTION**

FIG. 1 is an elevated perspective view of a remote control device;

FIG. 2 is a top view of the remote control device of FIG. 1; FIG. 3 is a bottom view of the remote control device of FIG. 1;

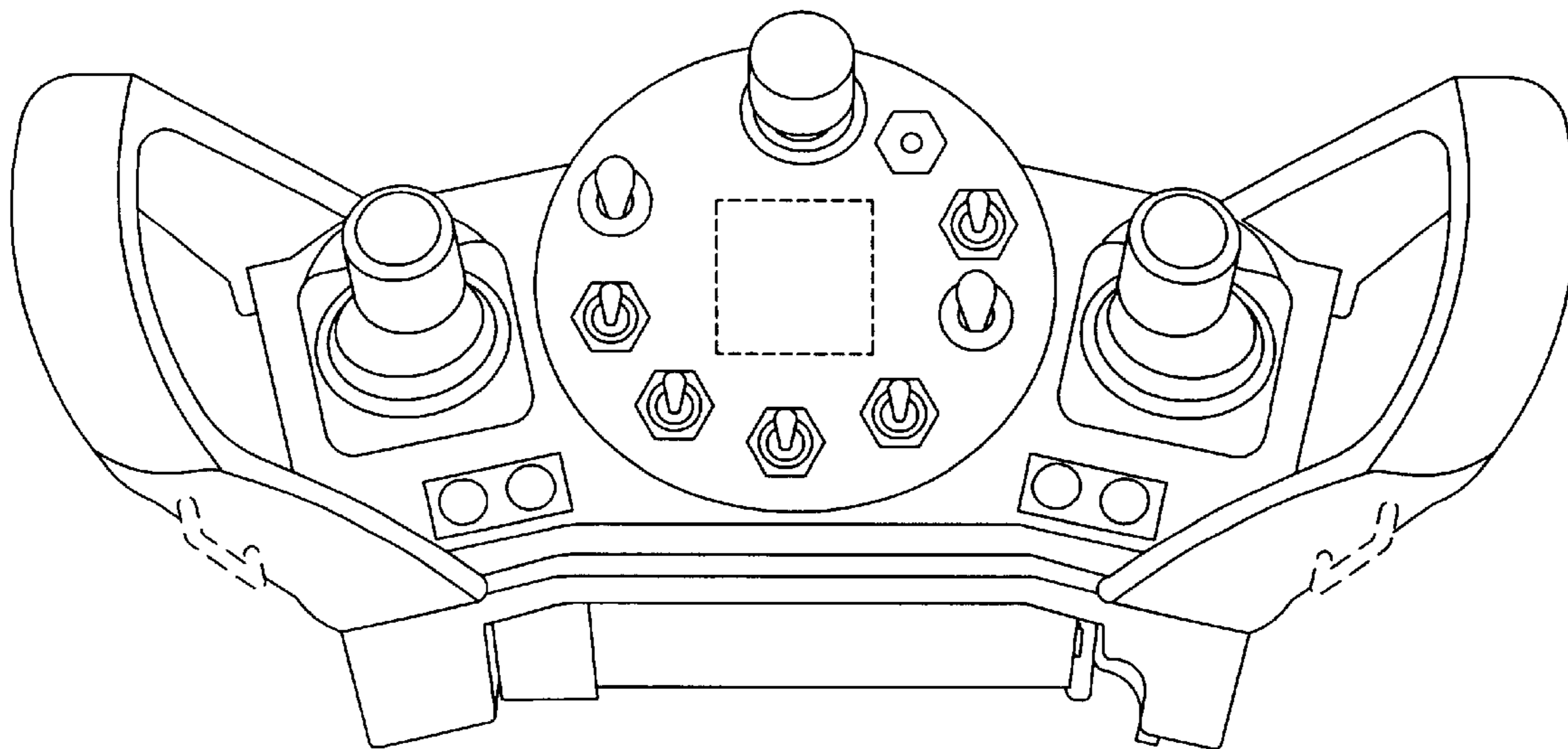
FIG. 4 is a front view of the remote control device of FIG. 1;

FIG. 5 is a rear view of the remote control device of FIG. 1; and,

FIG. 6 is a right side view of the remote control device of FIG. 1, the left side being the reverse thereof.

The broken-line disclosure of various elements in the views is for illustrative purposes only and forms no part of the claimed design.

**1 Claim, 3 Drawing Sheets**



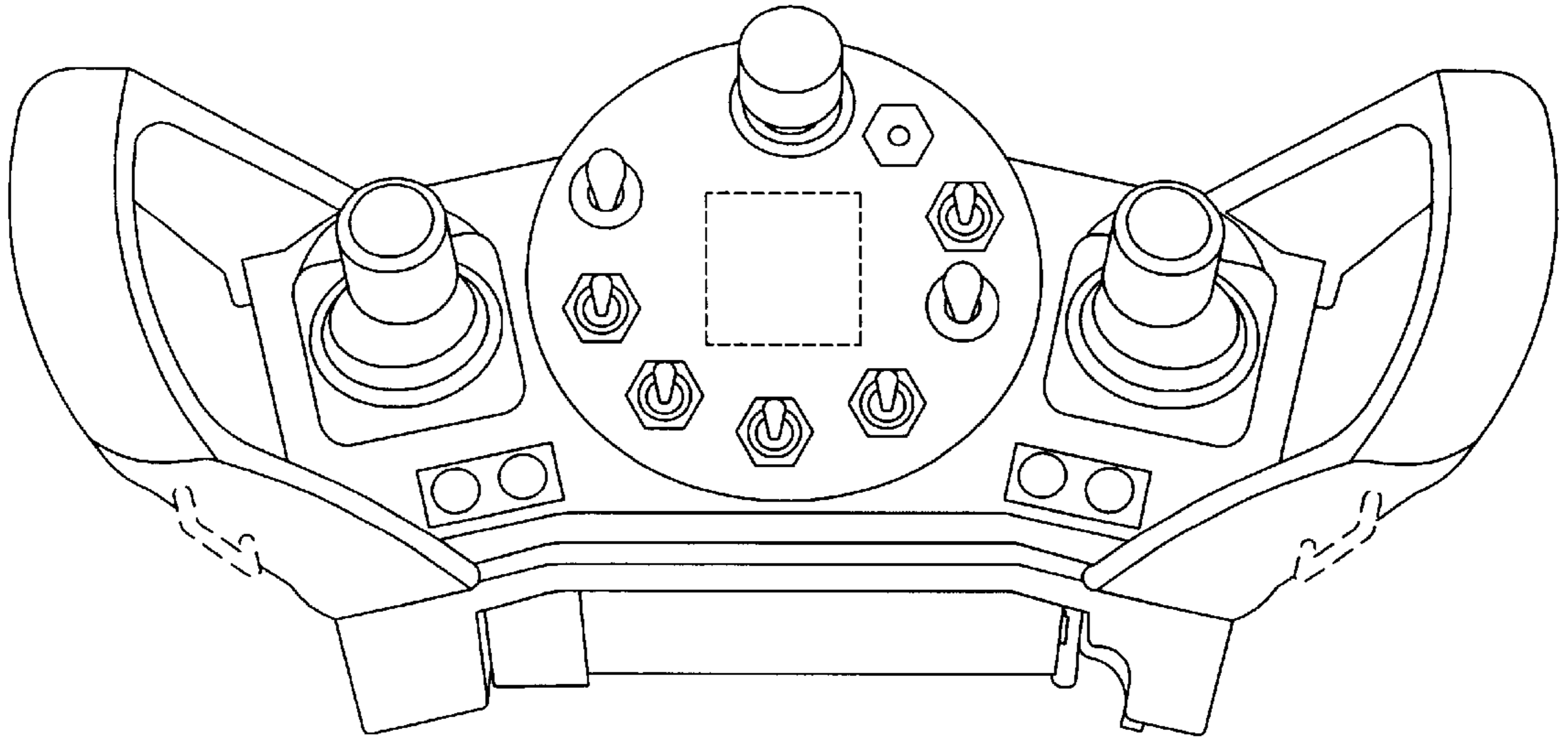


Fig. 1

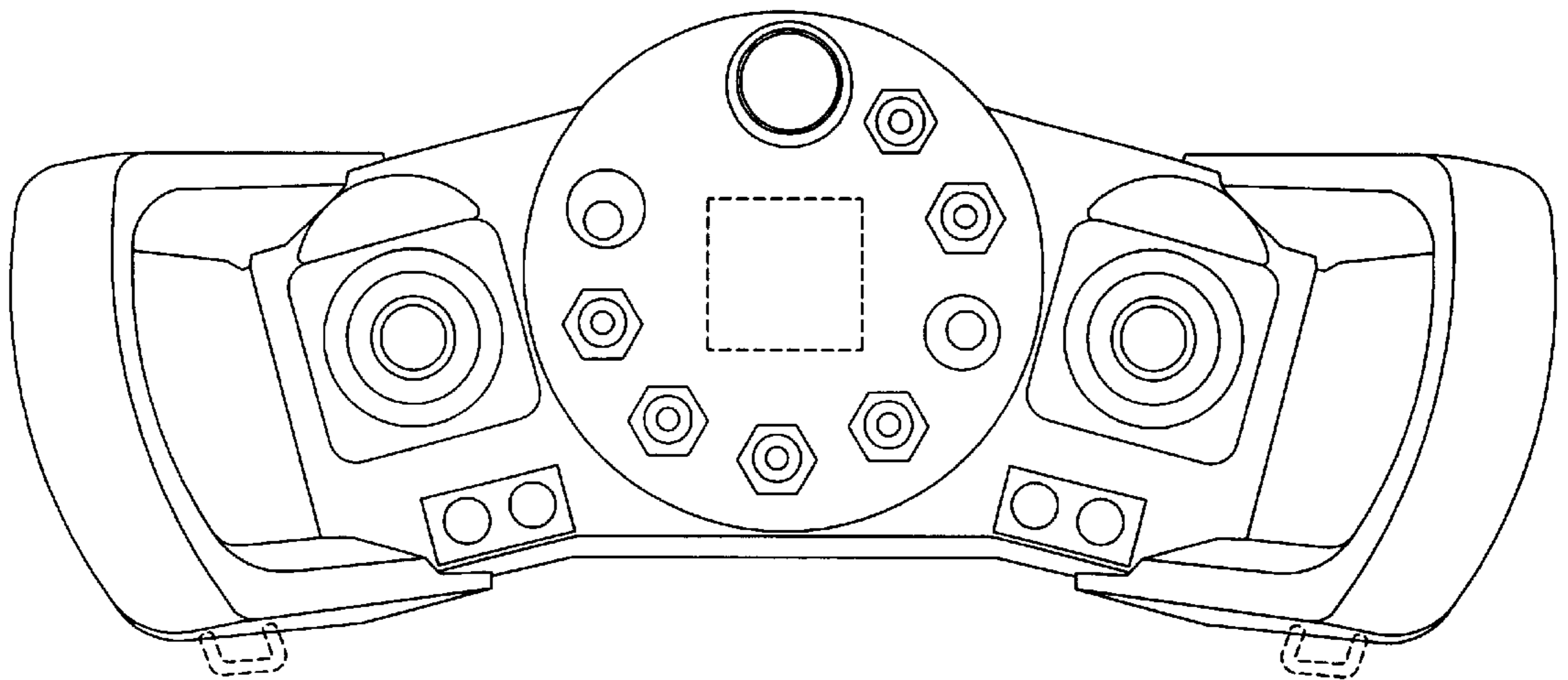


Fig. 2

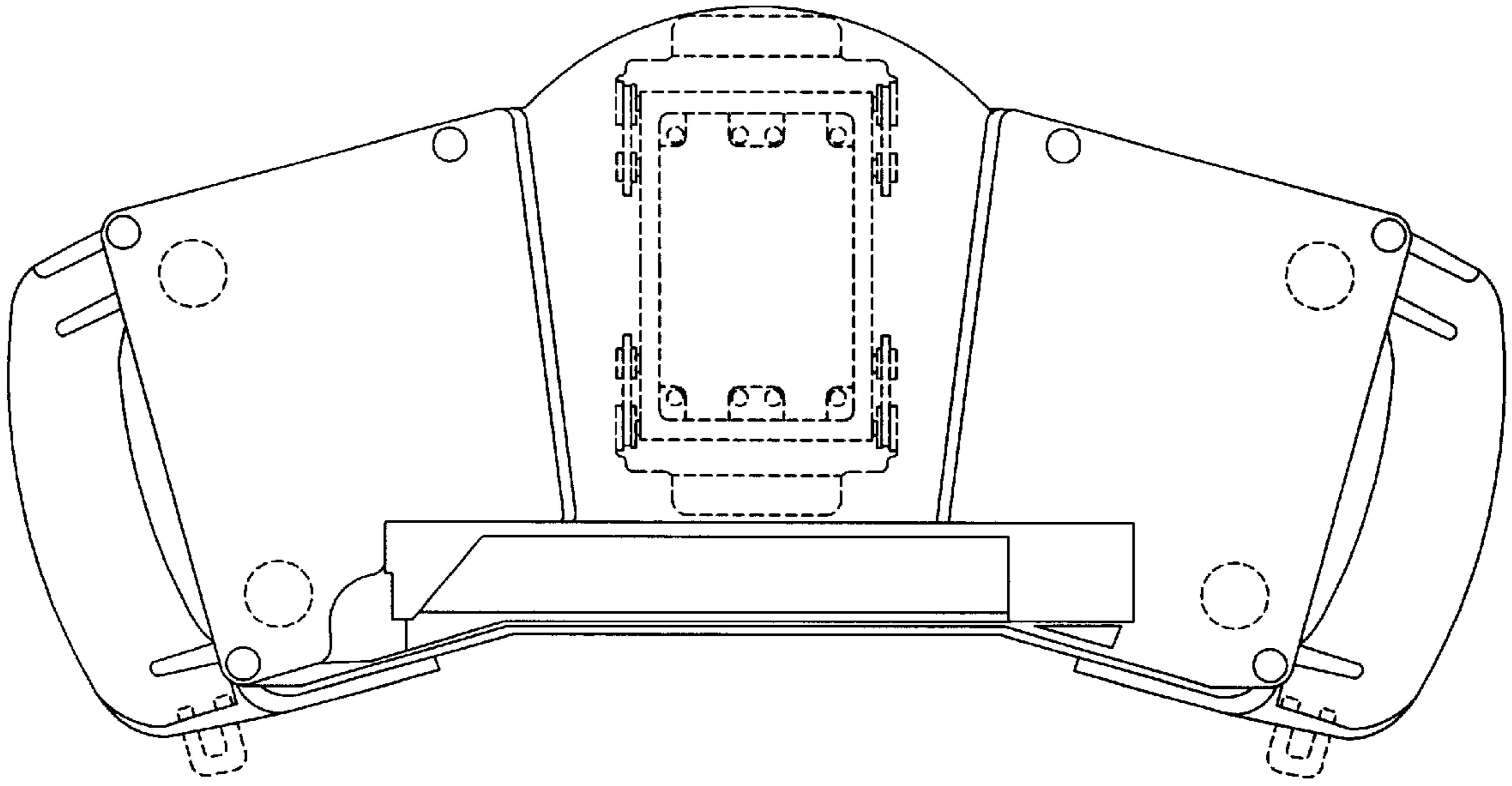


Fig. 3

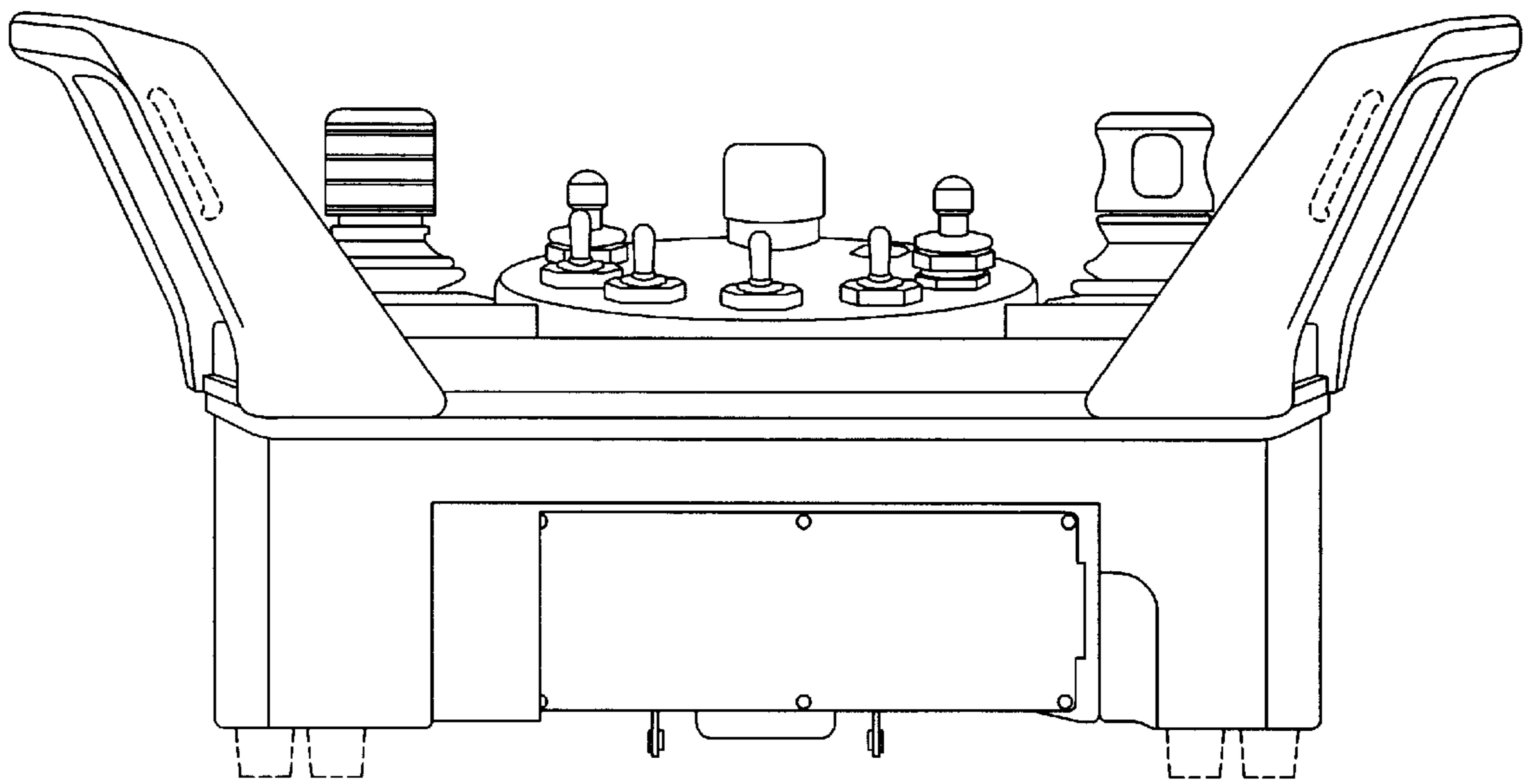


Fig. 4

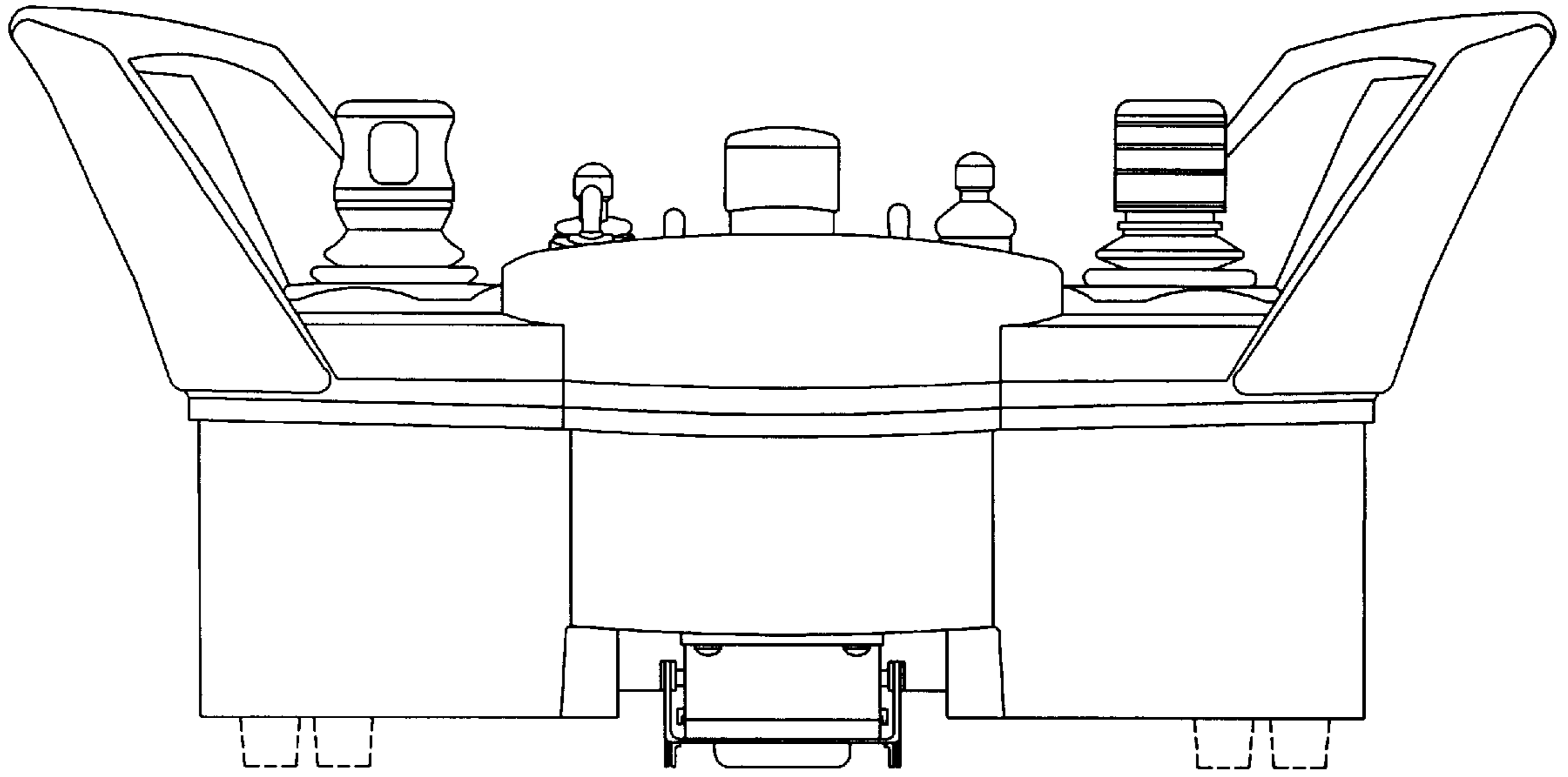


Fig. 5

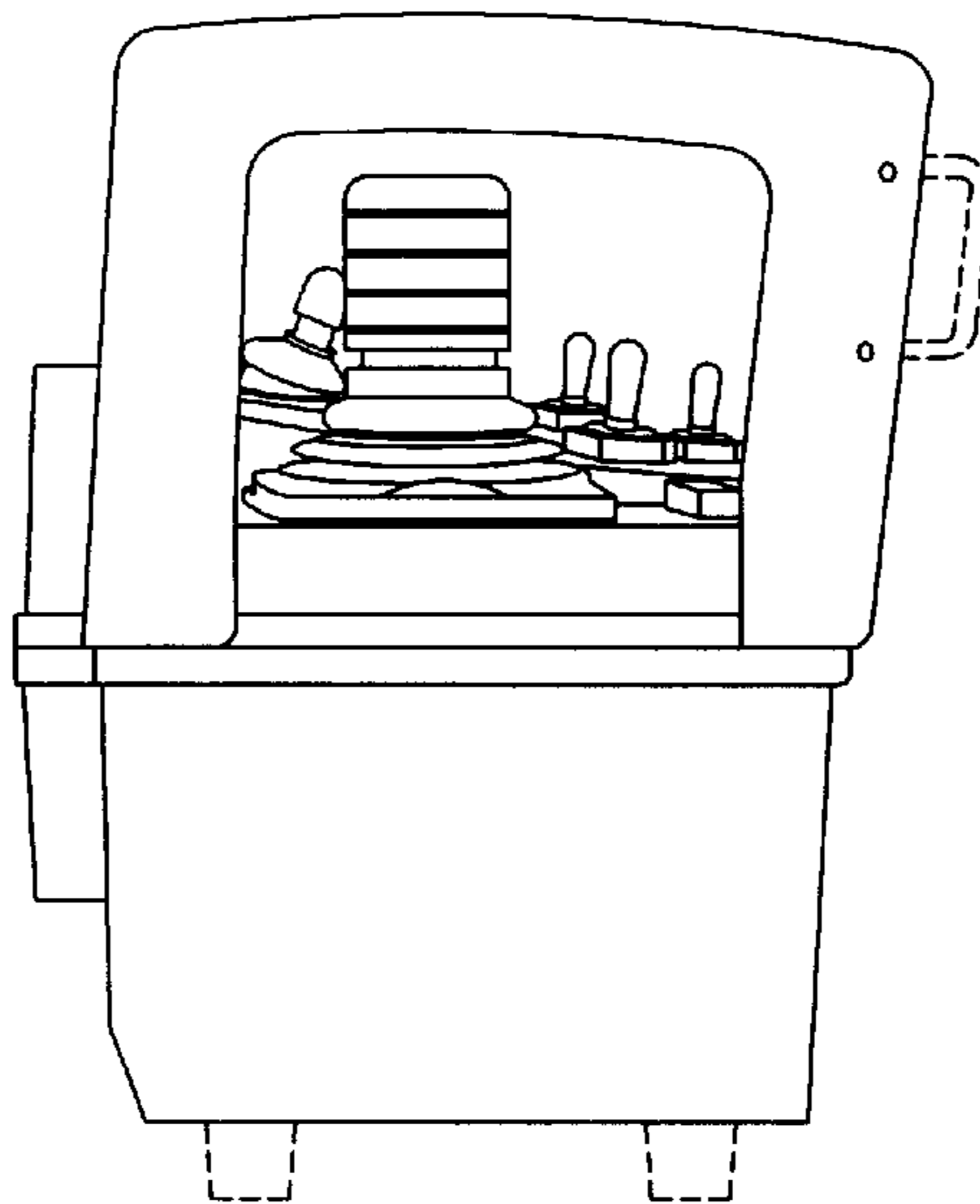


Fig. 6