



US00D427595S

# United States Patent [19]

Liu et al.

[11] Patent Number: **Des. 427,595**

[45] Date of Patent: **\*\* Jul. 4, 2000**

[54] **DESKTOP COMPUTER**

[75] Inventors: **Alvin Liu; Yin Sheng Yeh**, both of Taipei, Taiwan

[73] Assignee: **Hon Hai Precision Ind. Co., Ltd.**, Taipei Hsien, Taiwan

[\*\*] Term: **14 Years**

[21] Appl. No.: **29/113,541**

[22] Filed: **Nov. 4, 1999**

[51] **LOC (7) Cl.** ..... **14-02**

[52] **U.S. Cl.** ..... **D14/351**

[58] **Field of Search** ..... D14/349, 352, D14/351, 354; D13/162, 184, 199; D6/432, 436, 445, 448; 312/223.2; 361/683, 685, 725, 265.6

[56] **References Cited**

**U.S. PATENT DOCUMENTS**

D. 370,467 6/1996 Barthelemy et al. .... D14/349

D. 393,248 4/1998 Lin ..... D14/351  
D. 408,797 4/1999 Yeh et al. .... D14/349  
5,828,545 10/1998 Loudenslager ..... 361/683

*Primary Examiner*—Freda Nunn  
*Attorney, Agent, or Firm*—Wei Te Chung

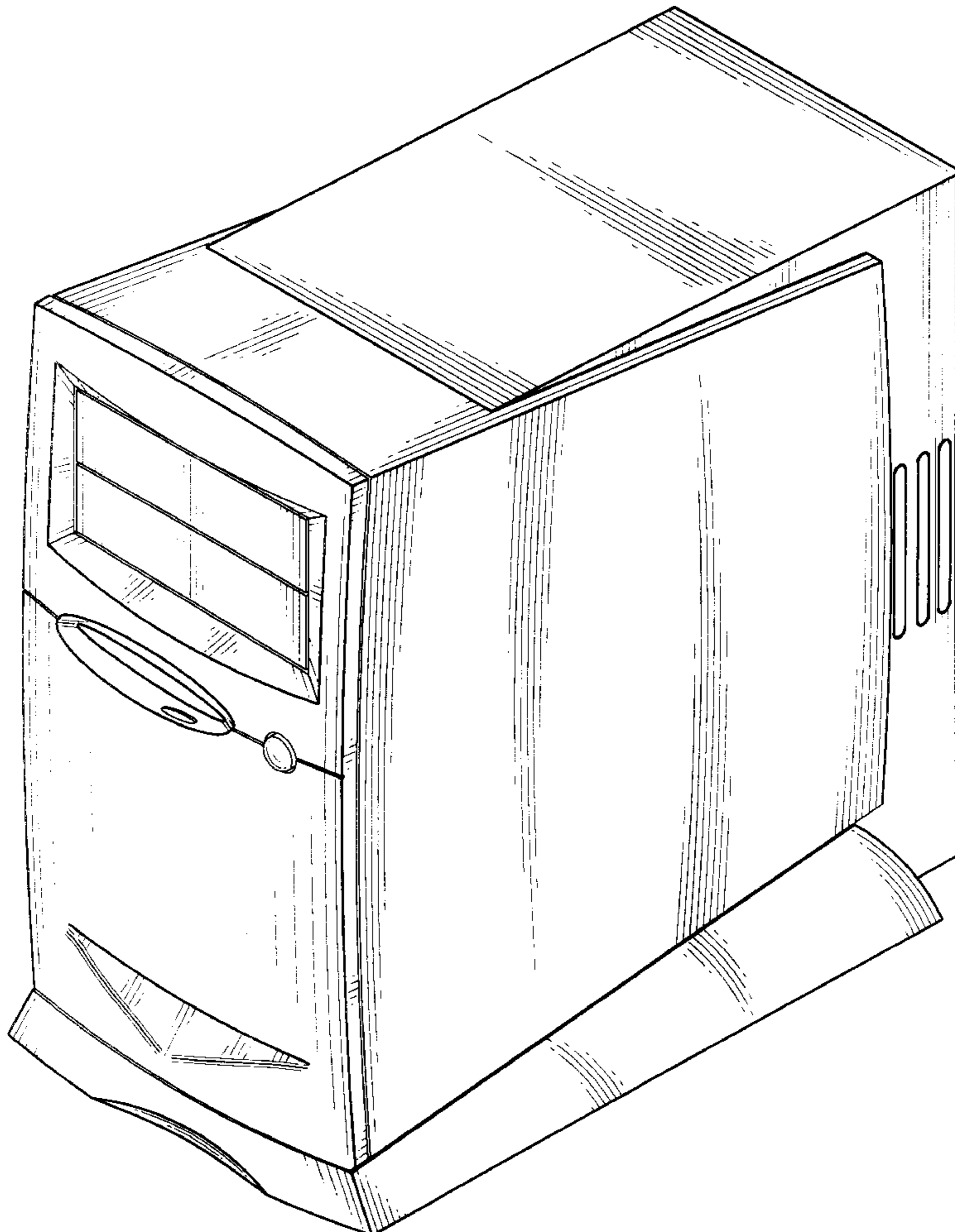
[57] **CLAIM**

The ornamental design for a desktop computer, as shown.

**DESCRIPTION**

FIG. 1 is a perspective view of a desktop computer showing my new design;  
FIG. 2 is a front elevational view thereof;  
FIG. 3 is a rear elevational view thereof;  
FIG. 4 is a left side elevational view thereof;  
FIG. 5 is a right side elevational view thereof;  
FIG. 6 is a top plan view thereof; and,  
FIG. 7 is a bottom plan view thereof.

**1 Claim, 7 Drawing Sheets**



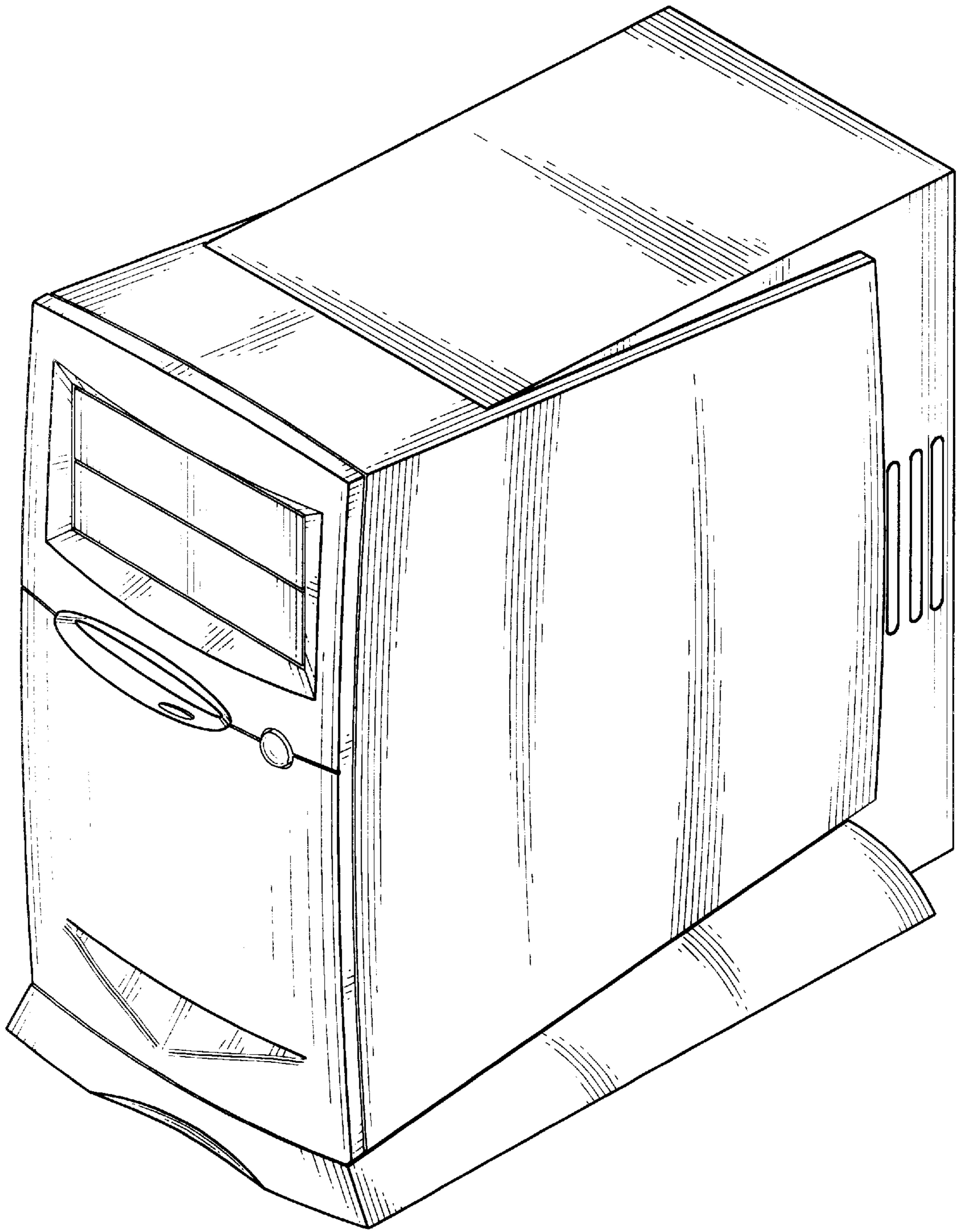


FIG.1

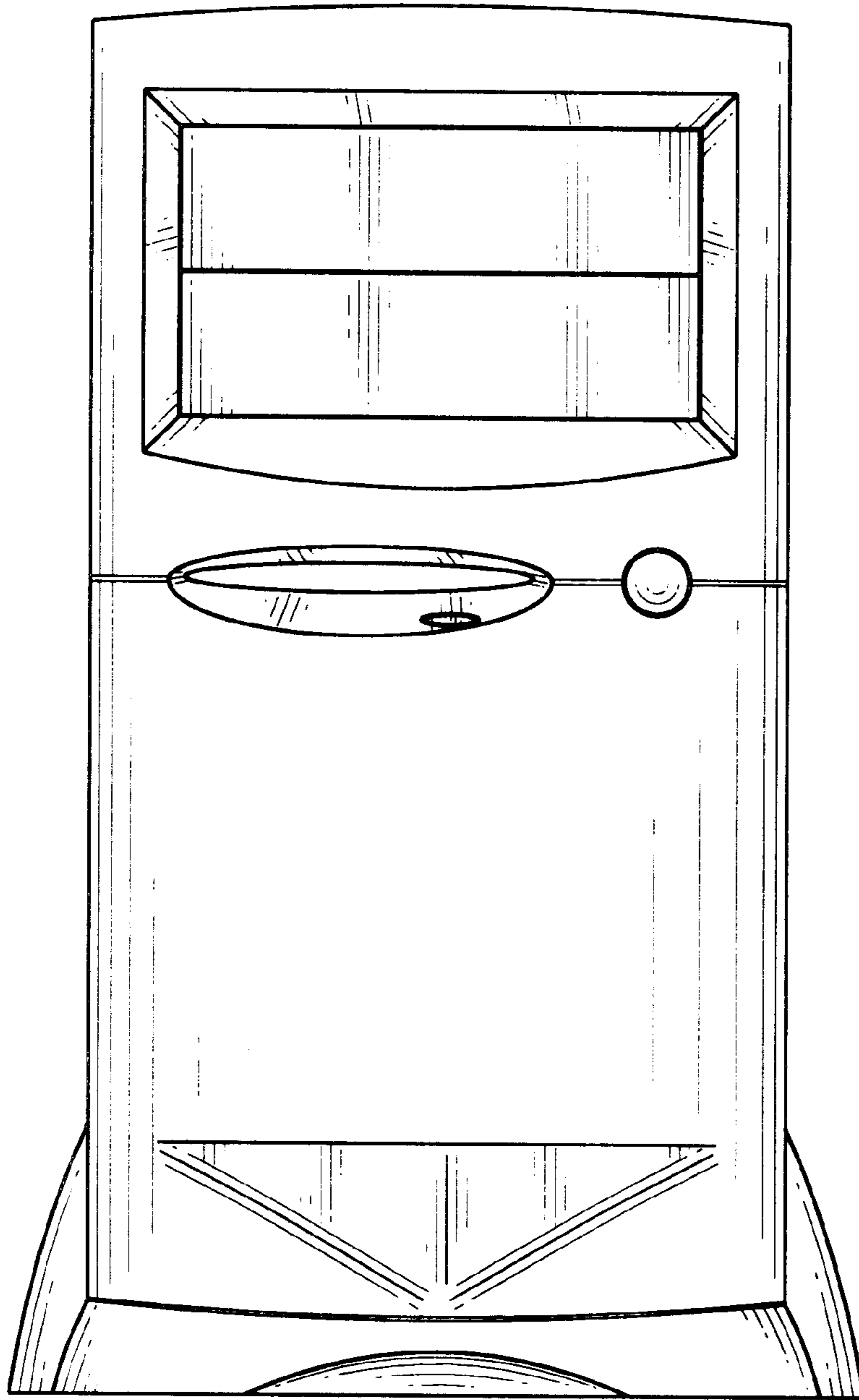


FIG. 2

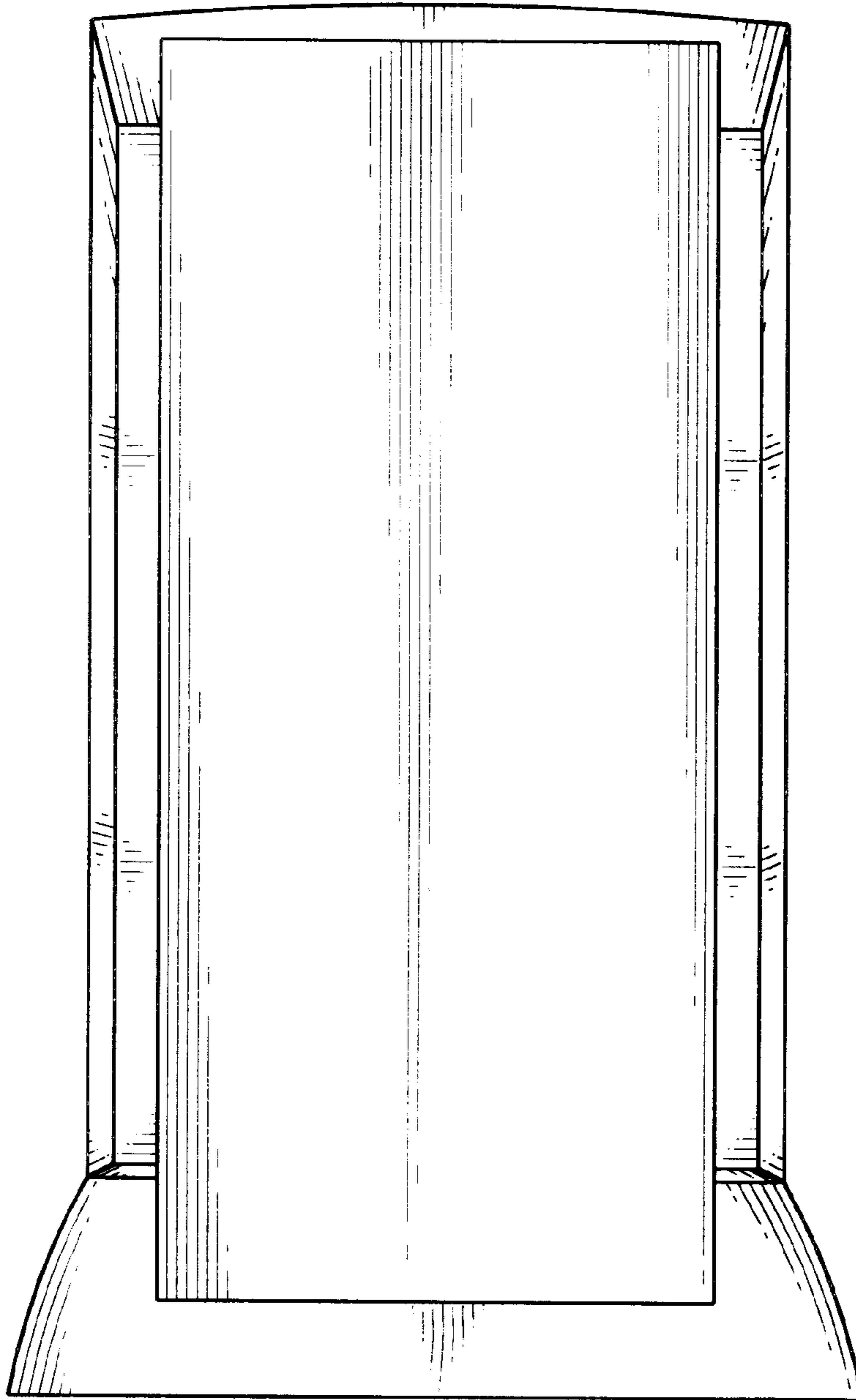


FIG.3

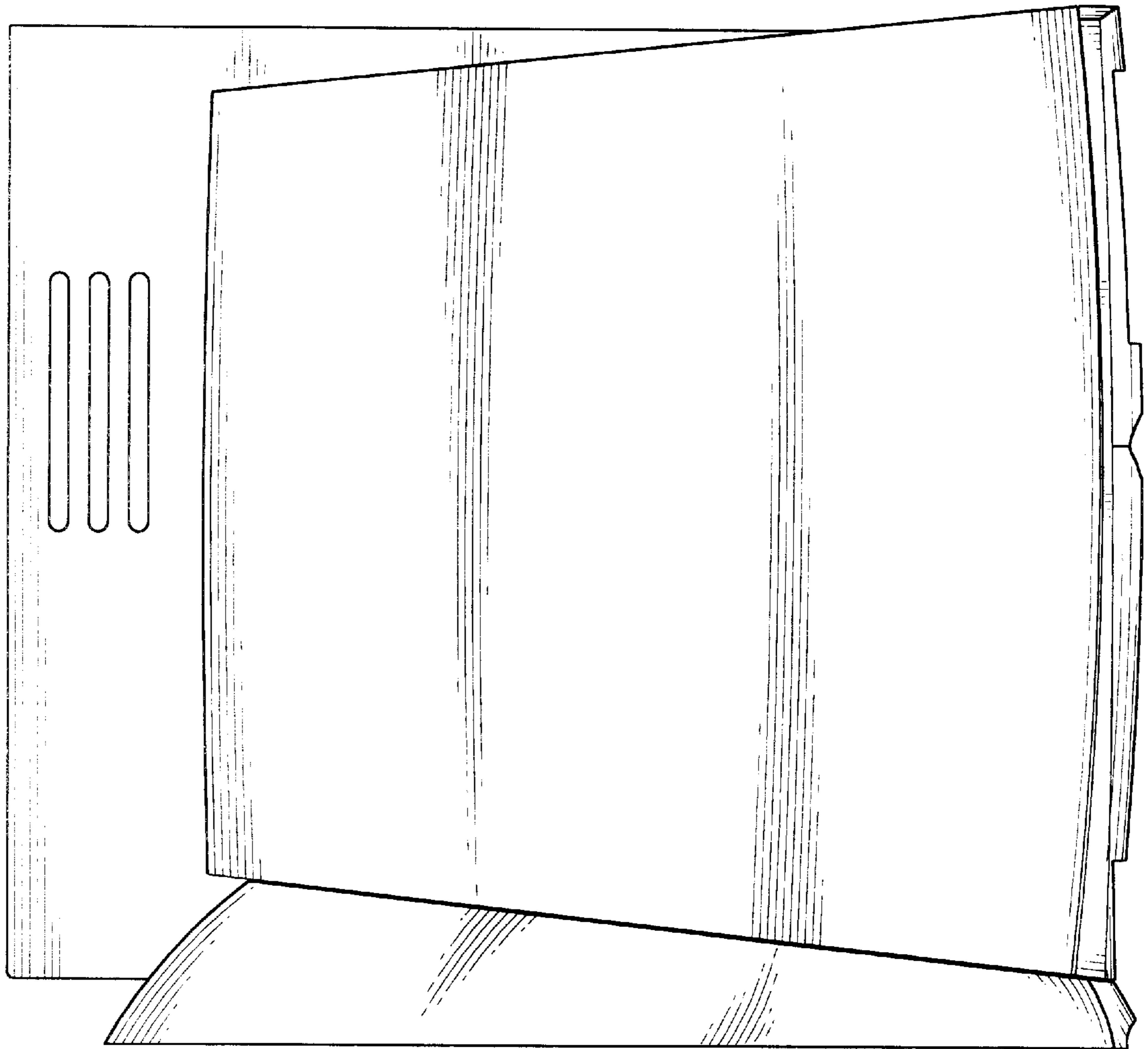


FIG.4



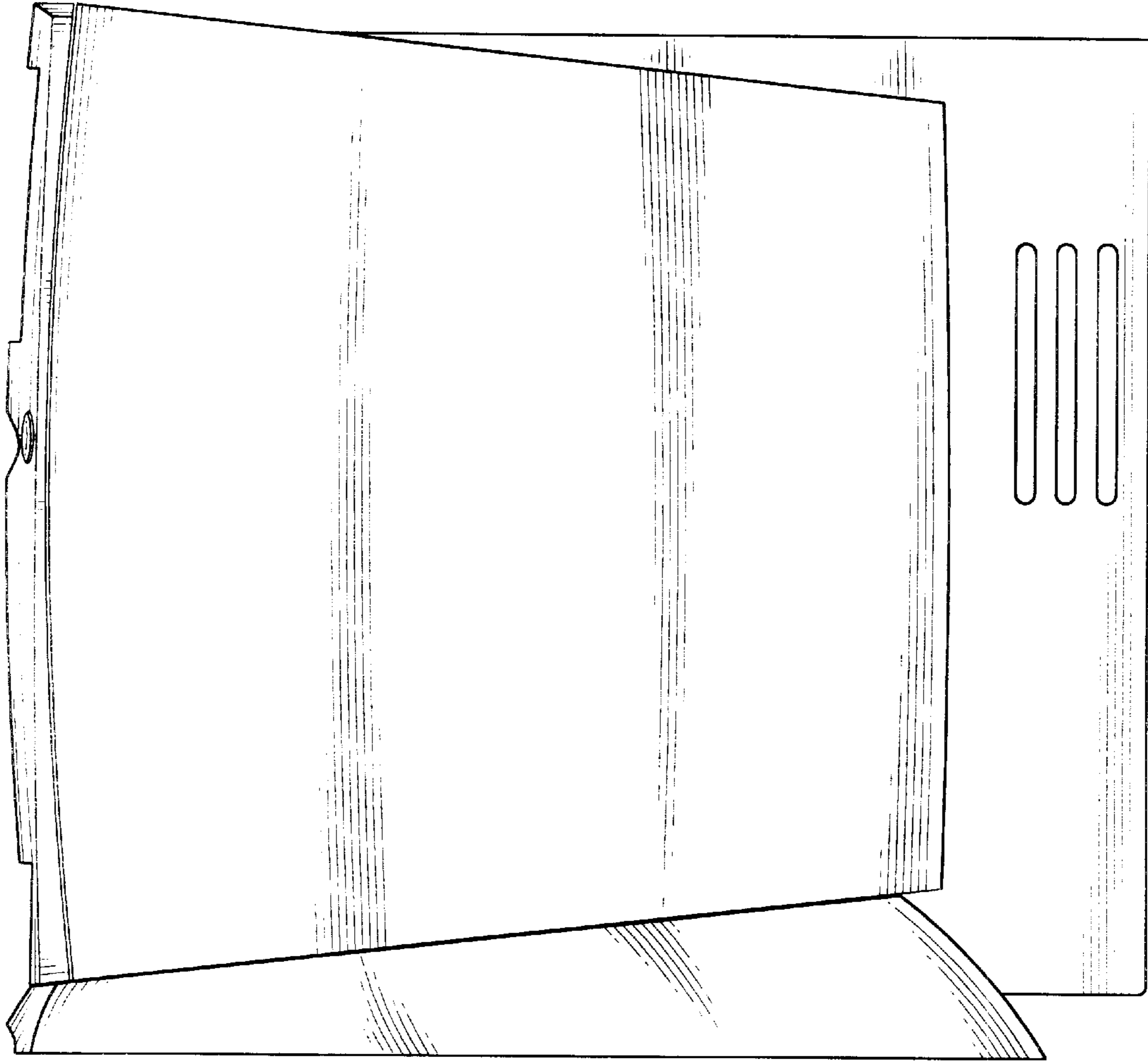


FIG.5

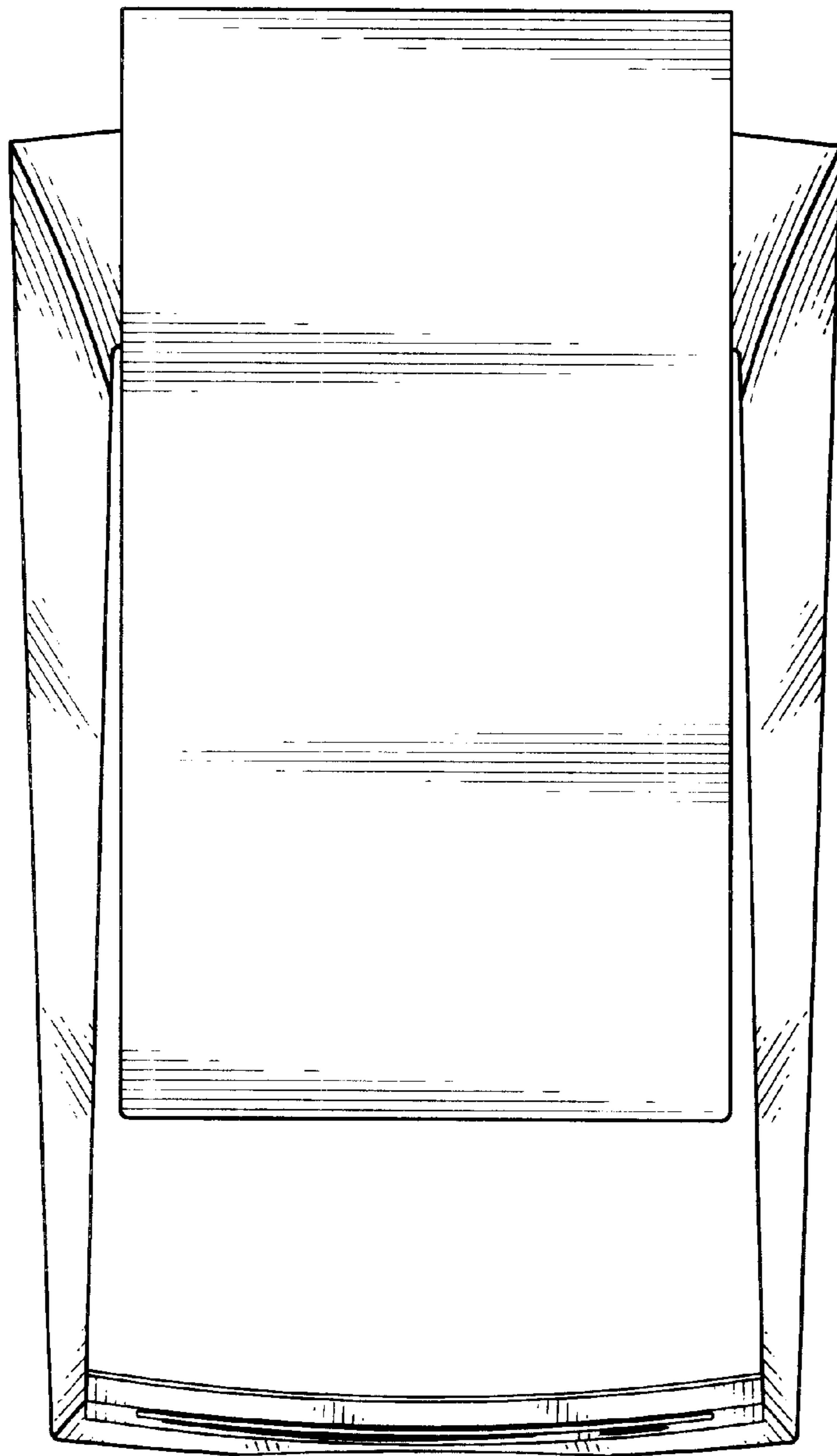


FIG.6

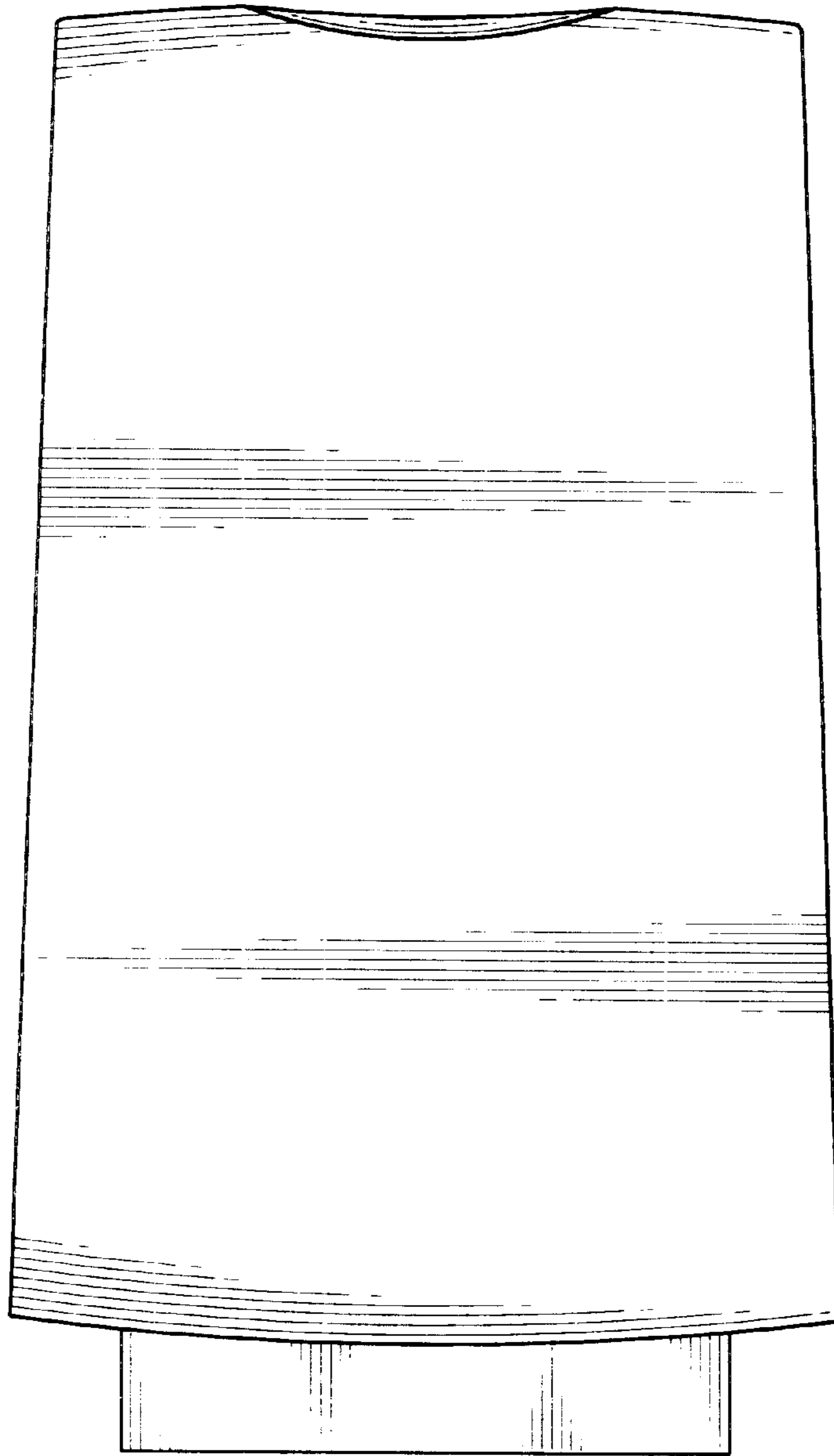


FIG.7