



US00D427594S

United States Patent [19] Lai

[11] **Patent Number: Des. 427,594**
[45] **Date of Patent: ** Jul. 4, 2000**

[54] **COMPUTER SYSTEM UNIT**

[76] Inventor: **Vincent Lai**, No. 57, La. 350,
Nanshang Rd., Gueishan Hsiang,
Taoyuan Hsien, Taiwan

[**] Term: **14 Years**

[21] Appl. No.: **29/110,817**

[22] Filed: **Sep. 14, 1999**

[51] **LOC (7) Cl.** **14-02**

[52] **U.S. Cl.** **D14/349**

[58] **Field of Search** D14/300, 302,
D14/308, 311, 354, 356, 352, 349, 351;
D13/162, 184, 199; D6/441; 312/223.2;
360/99.12; 369/34, 36; 361/690-696

[56] **References Cited**

U.S. PATENT DOCUMENTS

D. 363,707 10/1995 Crane, Jr. et al. D14/352
D. 369,923 5/1996 Crane, Jr. et al. D14/302 X

D. 370,467 6/1996 Barthelemy et al. D14/349
D. 398,906 9/1998 Fynn et al. D14/349

Primary Examiner—Freda Nunn
Attorney, Agent, or Firm—Pro-Techtor International
Services

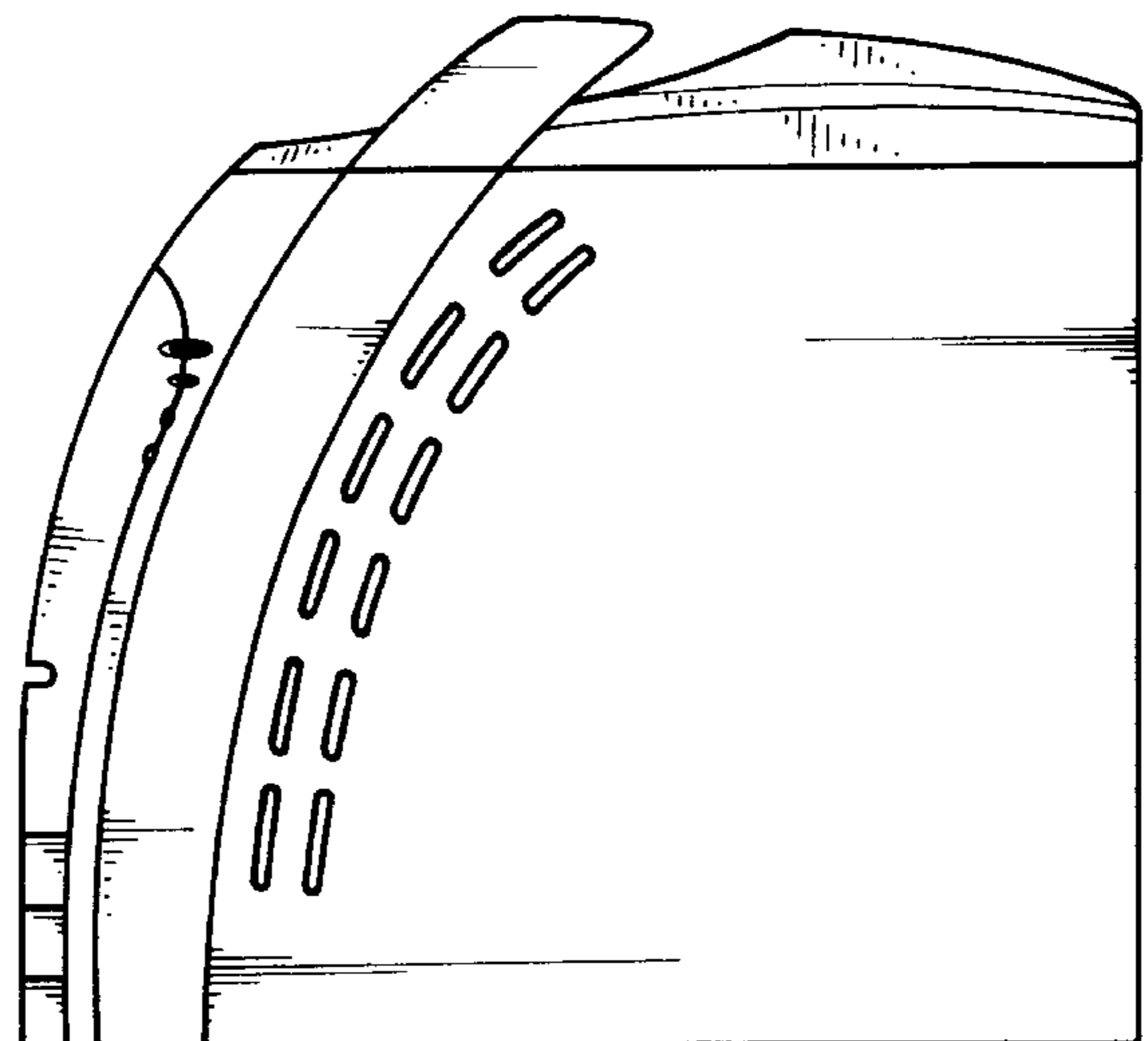
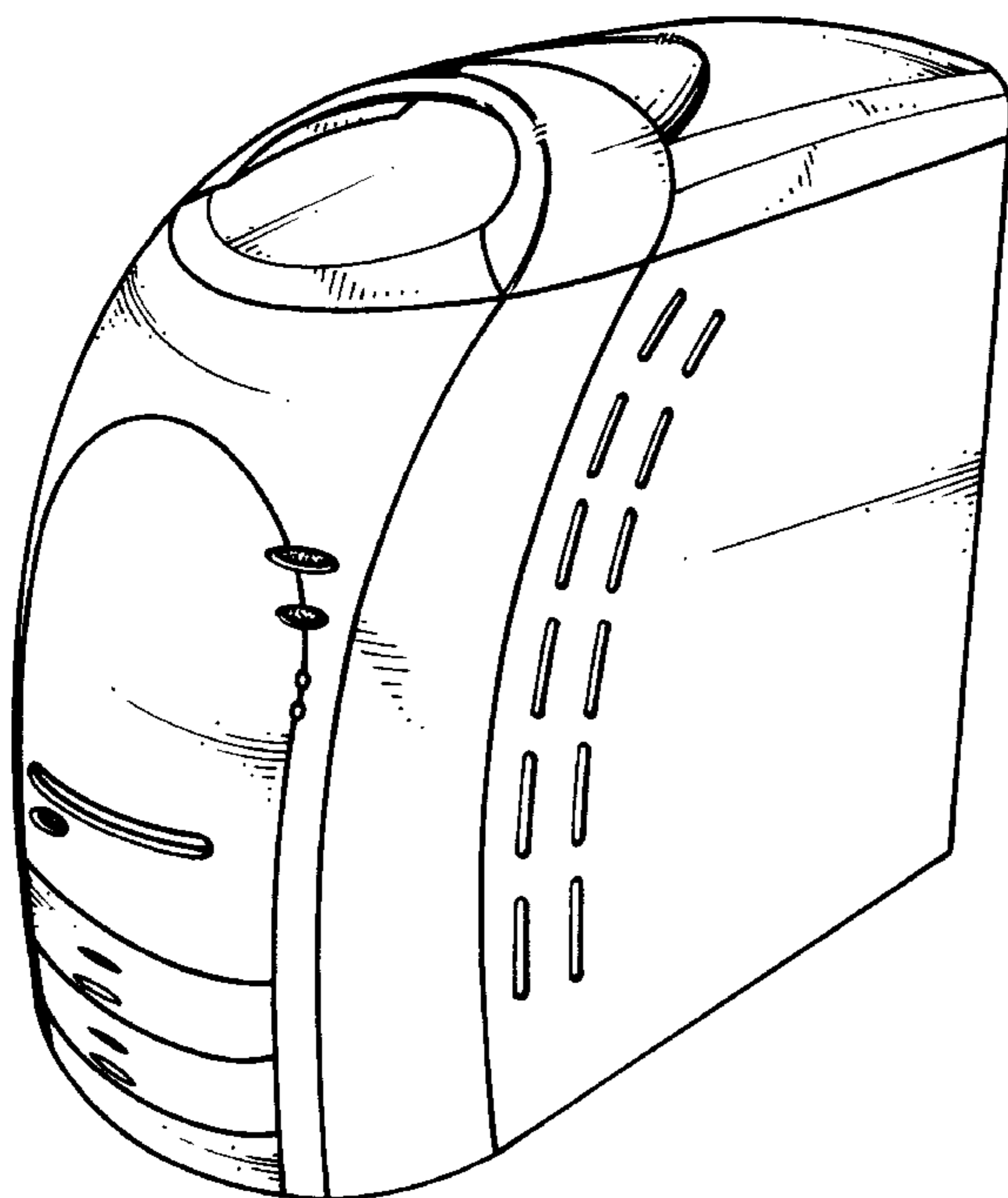
[57] **CLAIM**

The ornamental design for a computer system unit, as shown
and described.

DESCRIPTION

FIG. 1 is a perspective view of a computer system unit
showing my new design;
FIG. 2 is a front elevational view thereof;
FIG. 3 is a rear elevational view thereof;
FIG. 4 is a top plan view thereof;
FIG. 5 is a bottom plan view thereof;
FIG. 6 is a left side elevational view thereof; and,
FIG. 7 is a right side elevational view thereof.

1 Claim, 7 Drawing Sheets



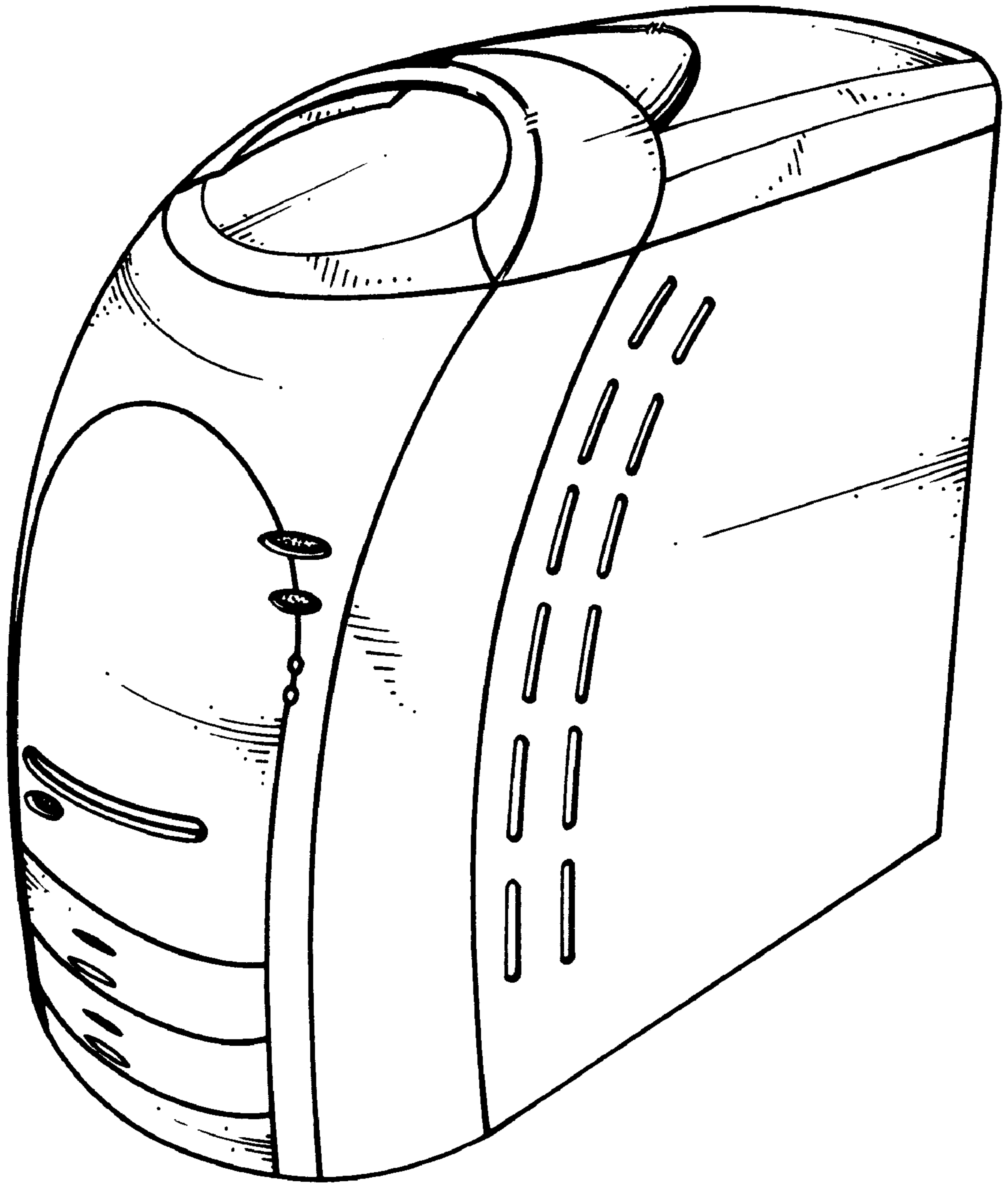


FIG. 1

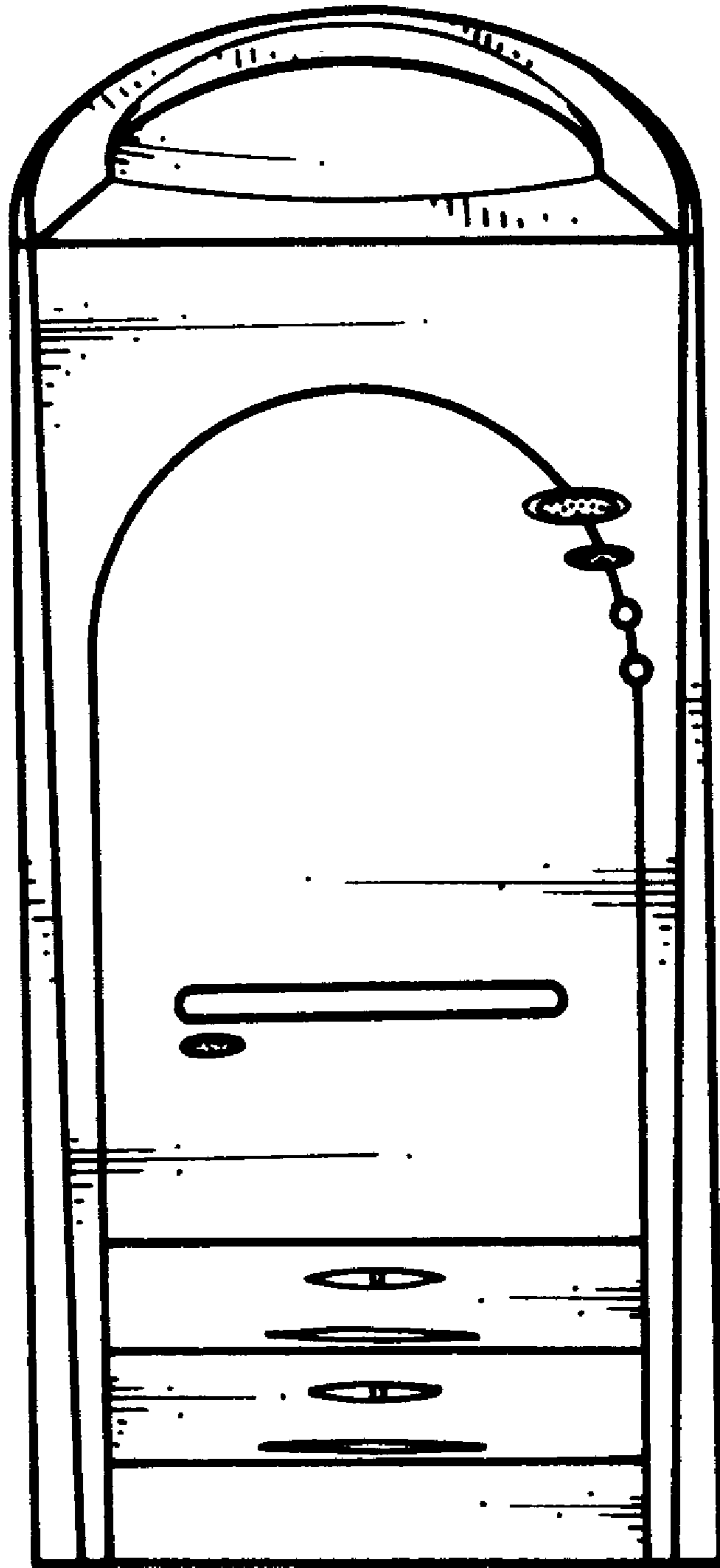


FIG. 2

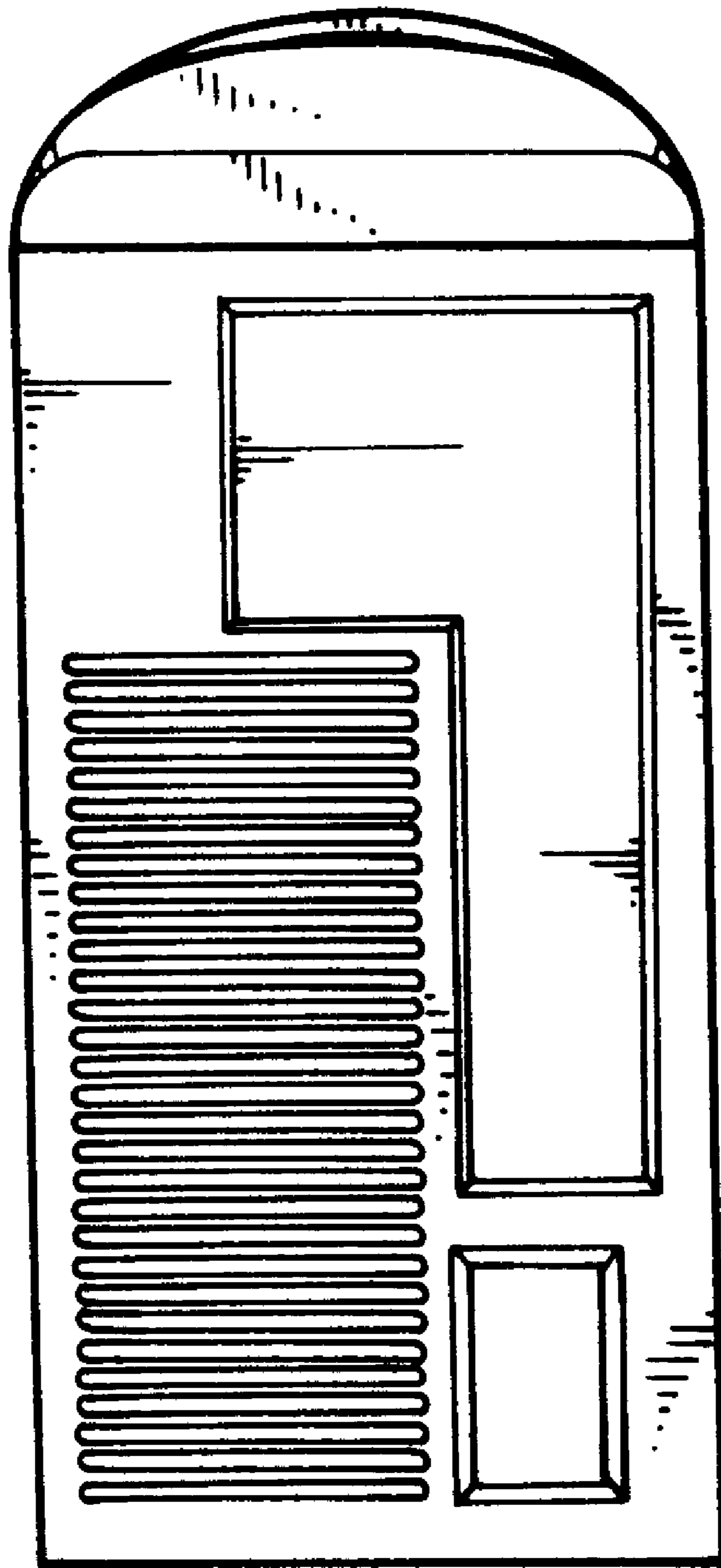


FIG. 3

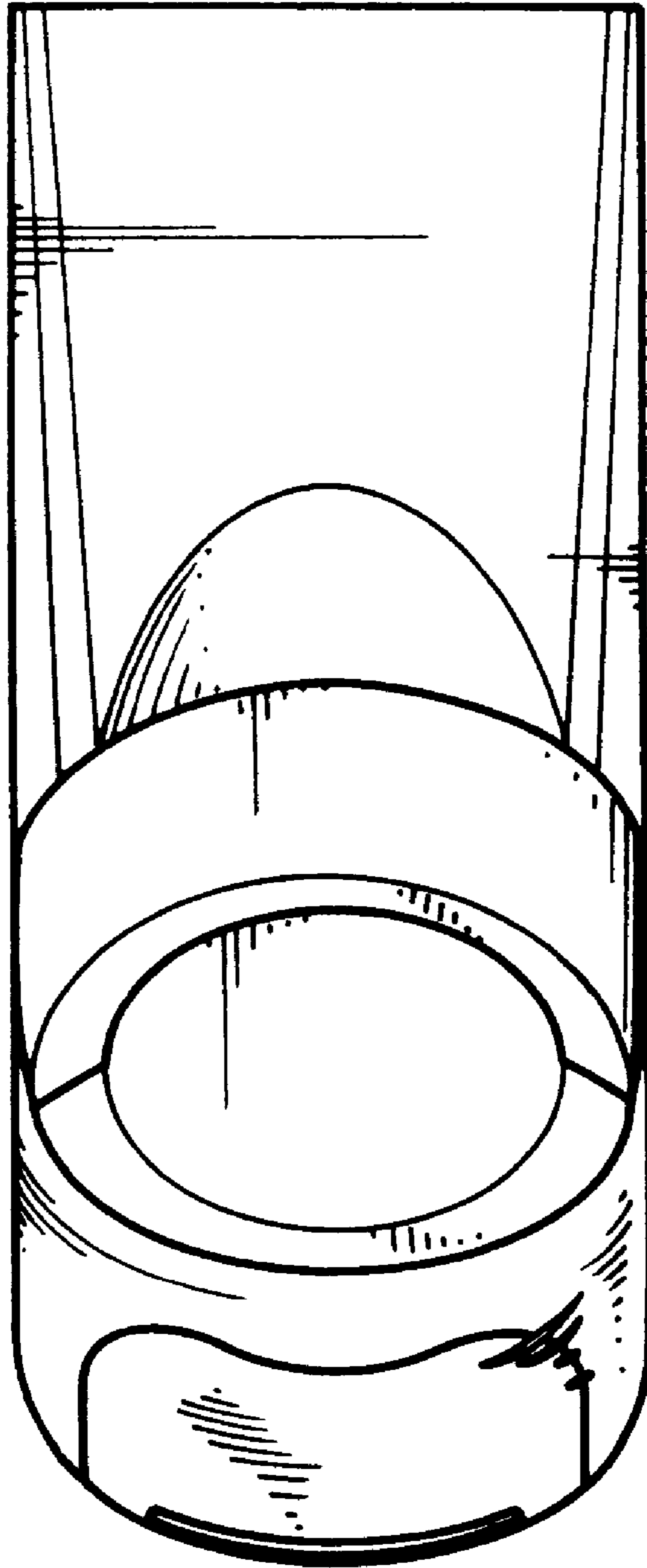


FIG. 4

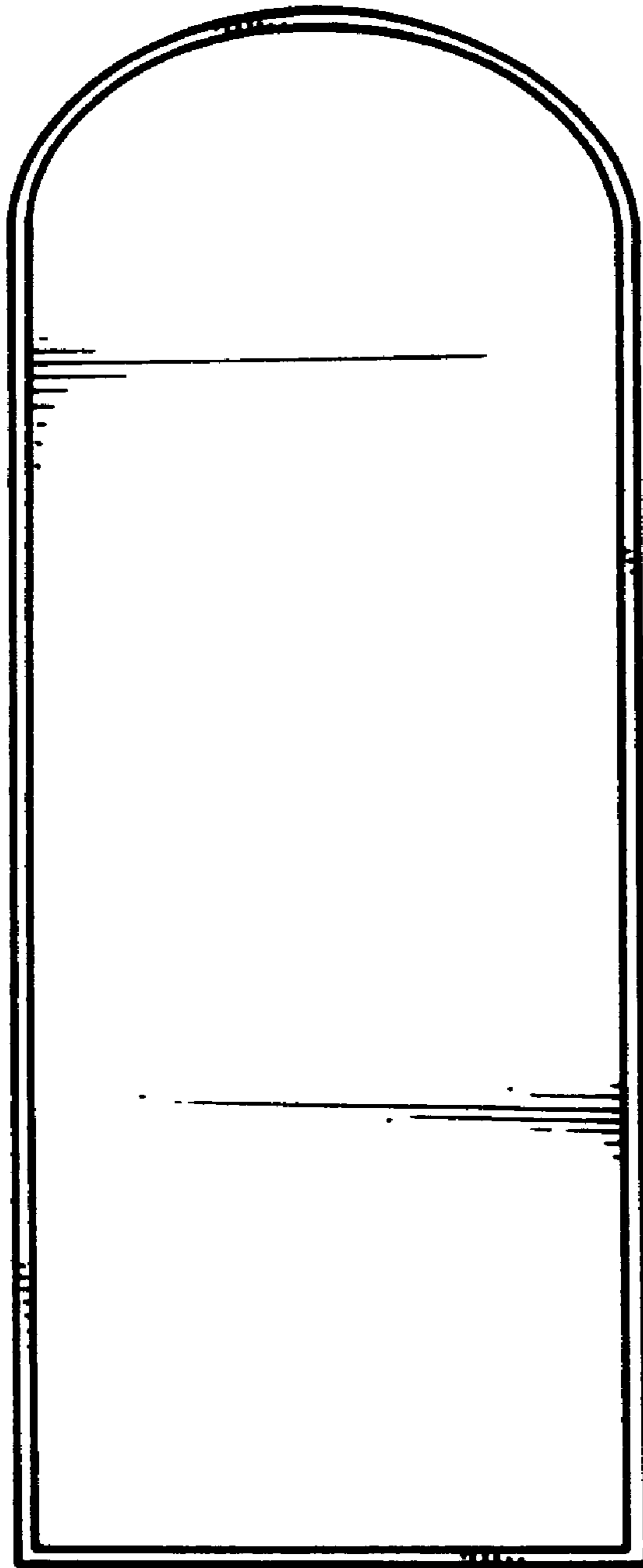


FIG. 5

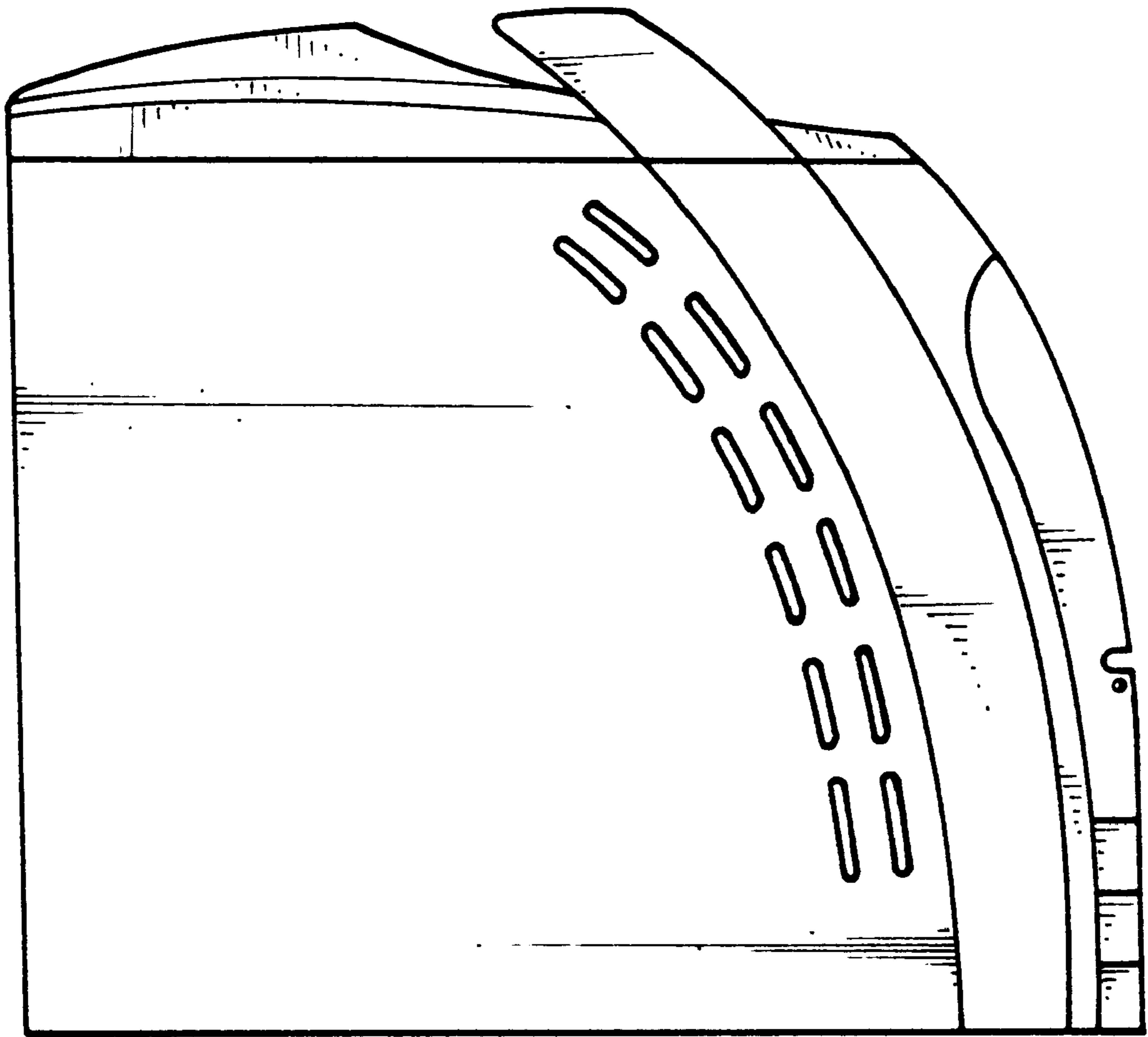


FIG. 6

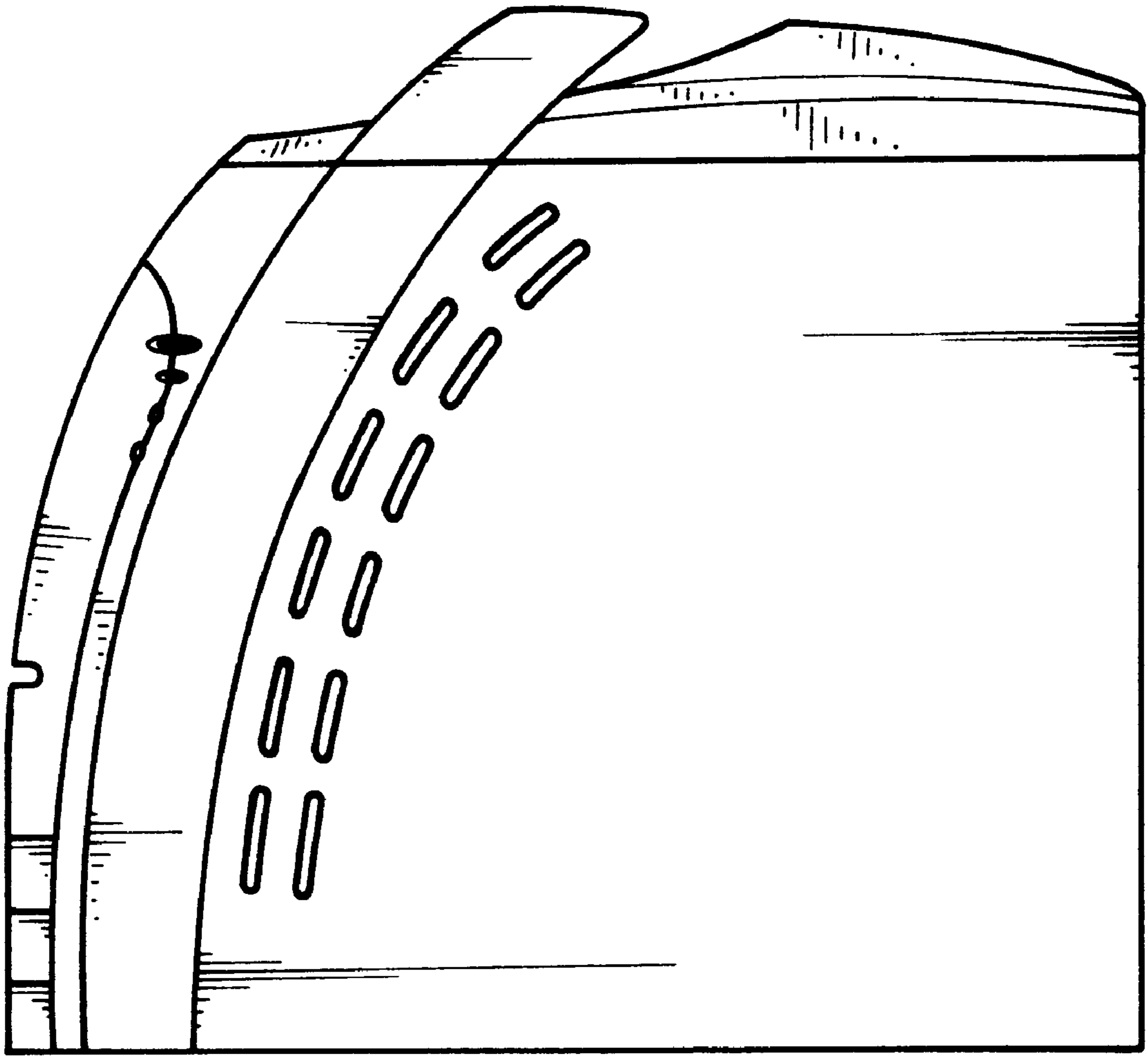


FIG. 7