



US00D427587S

United States Patent [19]

[11] Patent Number: Des. 427,587

Jacobsen et al.

[45] Date of Patent: ** Jul. 4, 2000

[54] PORTABLE COMMUNICATION DISPLAY DEVICE

[75] Inventors: Jeffrey Jacobsen, Hollister, Calif.; John C. C. Fan, Chestnut Hill, Mass.; Stephen Pombo, Campbell; Rodney Bumgardner, San Jose, both of Calif.

[73] Assignee: Kopin Corporation, Taunton, Mass.

[**] Term: 14 Years

[21] Appl. No.: 29/065,765

[22] Filed: Jun. 13, 1997

Related U.S. Application Data

[63] Continuation-in-part of application No. 08/853,630, May 9, 1997, which is a continuation-in-part of application No. 08/838,420, Apr. 7, 1997, which is a continuation-in-part of application No. 08/810,646, Mar. 3, 1997, which is a continuation-in-part of application No. 08/766,607, Dec. 13, 1996, which is a continuation-in-part of application No. 08/741,671, Oct. 31, 1996.

[51] LOC (7) Cl. 14-03

[52] U.S. Cl. D14/240

[58] Field of Search D14/137, 138, D14/140, 142, 147, 148, 240, 256, 130, 125, 239, 107, 113; D13/103, 146, 147; 379/419, 420, 428, 433, 440-442; 455/550-575, 90; 345/87, 88, 84, 92, 8, 32; 349/5, 6; 704/243

[56] References Cited

U.S. PATENT DOCUMENTS

- D. 269,433 6/1983 Stein et al. D14/240
- D. 297,009 8/1988 Grambush et al. D14/64
- D. 297,733 9/1988 Watanabe D14/64
- D. 306,299 2/1990 Soren et al. D14/251
- D. 306,594 3/1990 Taylor D14/253
- D. 307,271 4/1990 Nagele D14/138
- D. 315,161 3/1991 Watanabe D14/253
- D. 319,061 8/1991 Powell et al. D14/240
- D. 335,494 5/1993 Roegner D14/138
- D. 335,666 5/1993 Roegner D14/138
- D. 335,878 5/1993 Roegner D14/138

- D. 337,984 8/1993 Lindahl D13/103
- D. 352,040 11/1994 Rak et al. D14/240
- D. 353,373 12/1994 Delhaes D14/149
- D. 353,374 12/1994 Heijnen D14/149
- D. 354,280 1/1995 Fenton D14/107
- D. 354,749 1/1995 Phillips D14/151
- D. 354,951 1/1995 Fenton et al. D14/107
- D. 355,173 2/1995 Fenton et al. D14/107
- D. 355,412 2/1995 Rak et al. D14/107
- D. 364,618 11/1995 Somoza D14/142
- D. 368,260 3/1996 Oschman et al. D14/137
- D. 373,124 8/1996 Béhar et al. D14/148
- D. 390,848 2/1998 Santee et al. D14/240
- D. 406,848 3/1999 Salmi D14/240
- 4,916,441 4/1990 Gombrich 340/712
- 5,020,090 5/1991 Morris 379/58
- 5,325,429 6/1994 Kurgan 379/429
- 5,422,656 6/1995 Allard et al. 345/173
- 5,485,504 1/1996 Ohnsorge 379/58
- 5,606,594 2/1997 Register et al. 379/58
- 5,671,274 9/1997 Kotaka 379/433
- 5,787,361 7/1998 Chen 455/550
- 5,828,951 10/1998 Suemitsu 455/90
- 5,867,795 2/1999 Novis et al. 455/566

FOREIGN PATENT DOCUMENTS

- 0 464 011 A1 6/1991 European Pat. Off.
- 0 472 361 A2 8/1991 European Pat. Off.
- 0 526 802 A2 7/1992 European Pat. Off.
- 0 539 699 A2 9/1992 European Pat. Off.
- 0 626 773 A1 5/1993 European Pat. Off.

OTHER PUBLICATIONS

Design News, p. 48, "mini display", Dec. 1997.
"SA620 Integrated Front-End," Philips Electronics North America (1993).

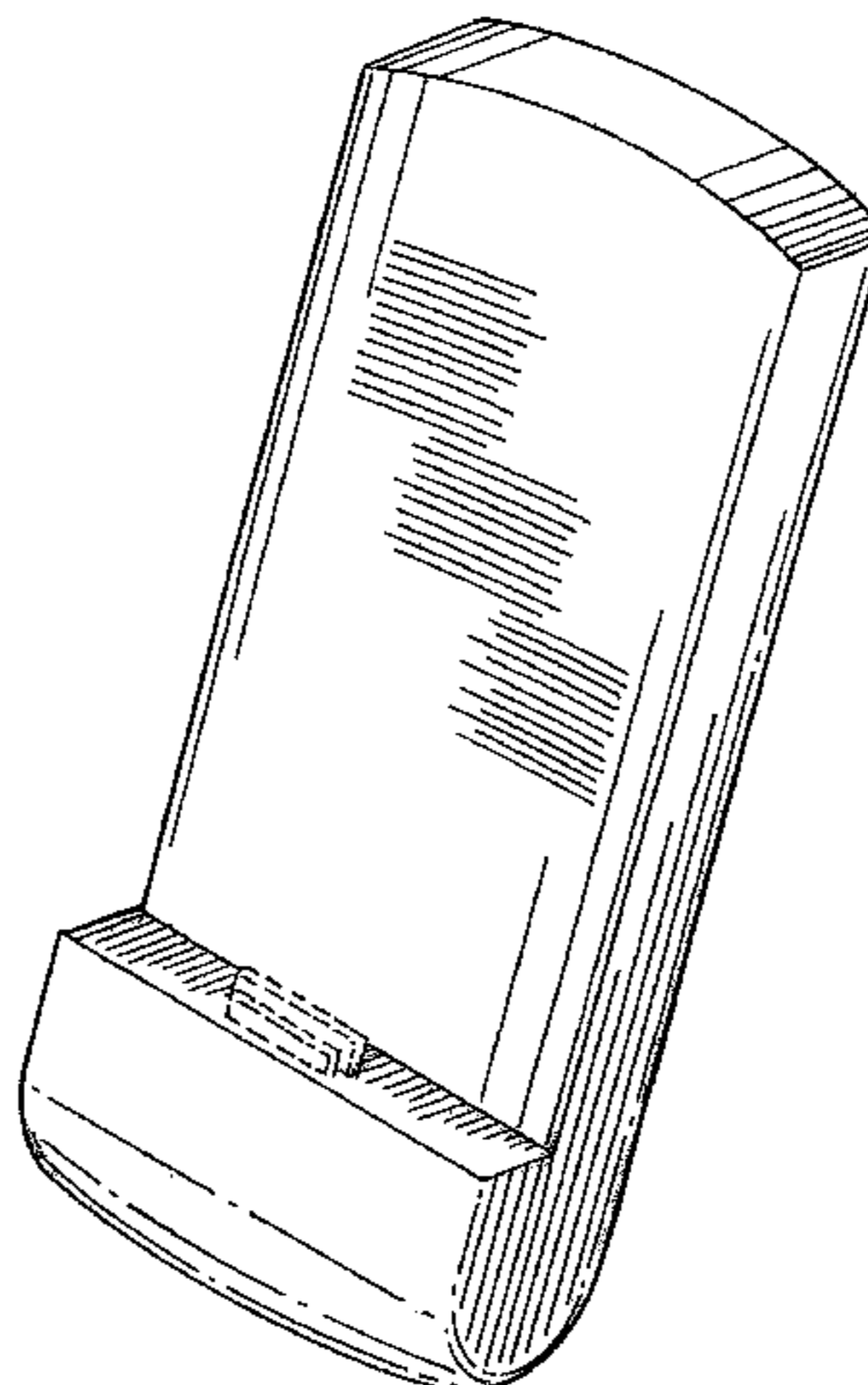
Primary Examiner—Jeffrey Asch
Attorney, Agent, or Firm—Hamilton, Brook, Smith & Reynolds, P.C.

[57] CLAIM

The ornamental design of the portable communication display device, as shown and described.

DESCRIPTION

FIG. 1 is a front right perspective view of a portable communication display device showing the new design. A



connector is shown in broken line;

FIG. 2 is a front view of the portable communication display device;

FIG. 3 is a right view of the portable communication display device;

FIG. 4 is a top view of the portable communication display device;

FIG. 5 is a rear view of the portable communication display device;

FIG. 6 is a left view of the portable communication display device. A display pod is shown rotated in broken line; and, FIG. 7 is a bottom view of the portable communication display device.

The broken line showings of a connector and, a display housing or pod, are for illustration purposes only and form no part of the claimed design.

1 Claim, 2 Drawing Sheets

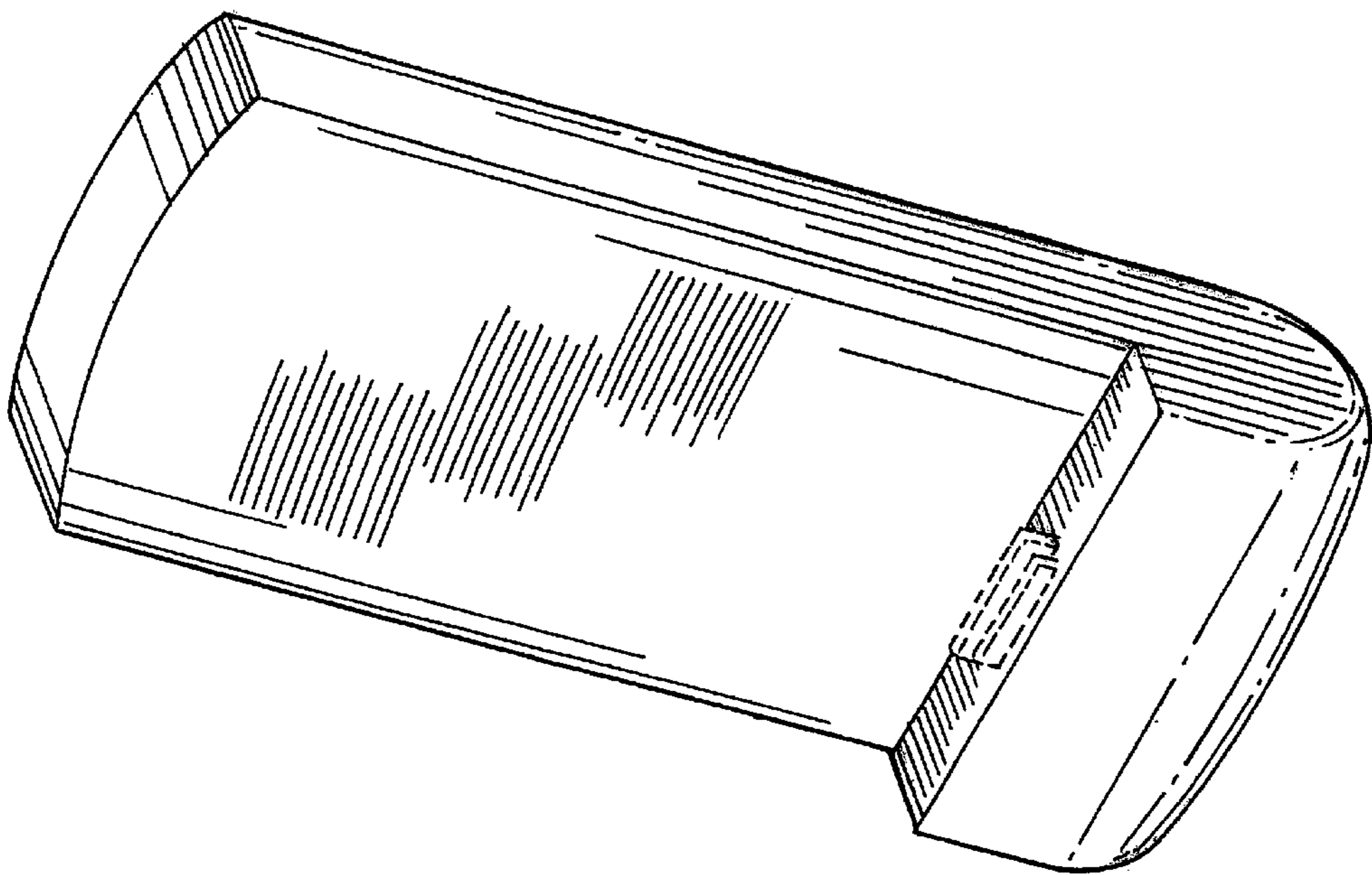


FIGURE 1

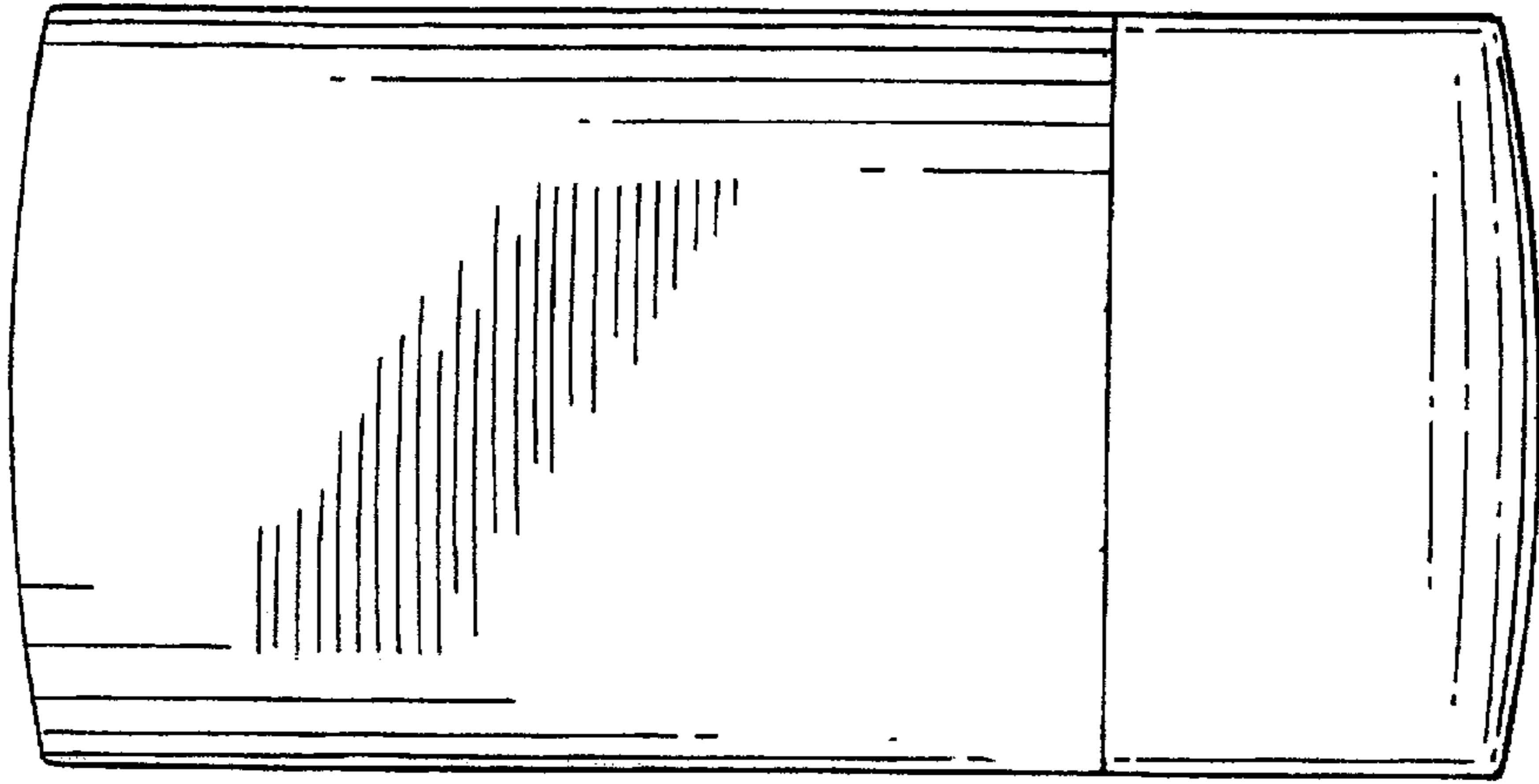


FIGURE 2

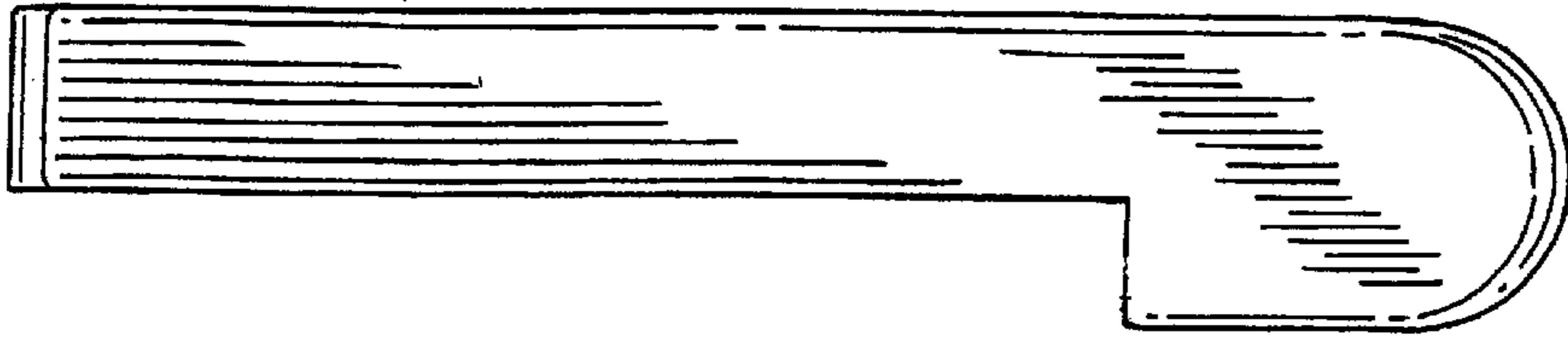


FIGURE 3

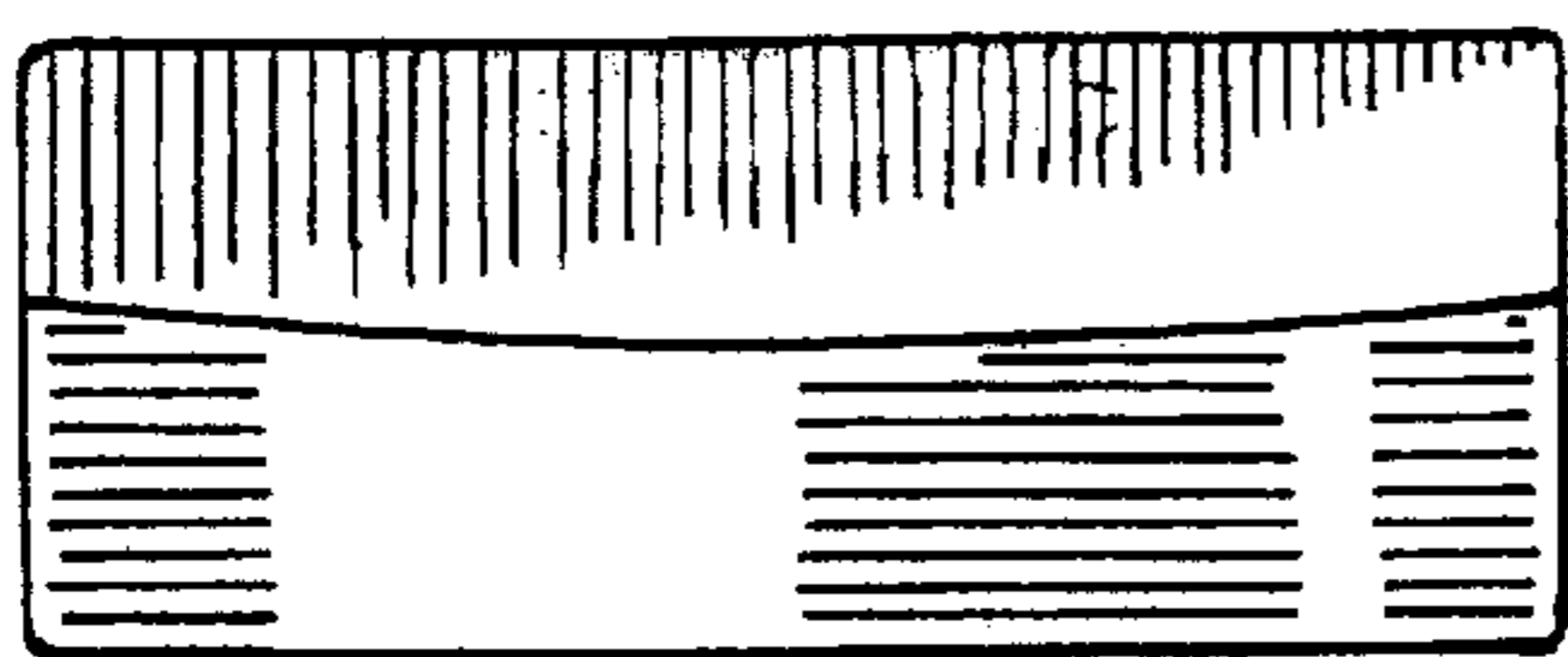


FIGURE 4

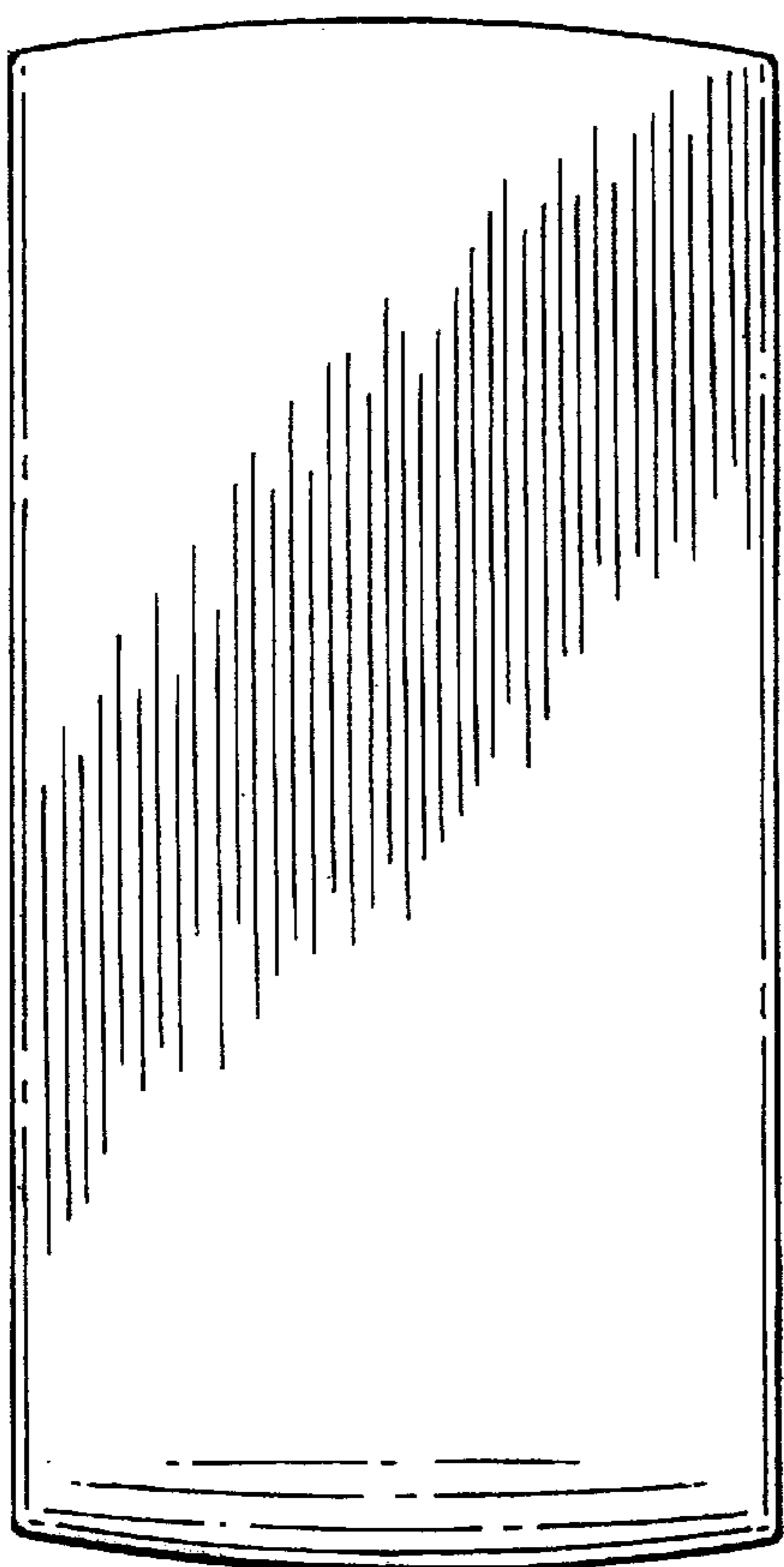


FIGURE 5

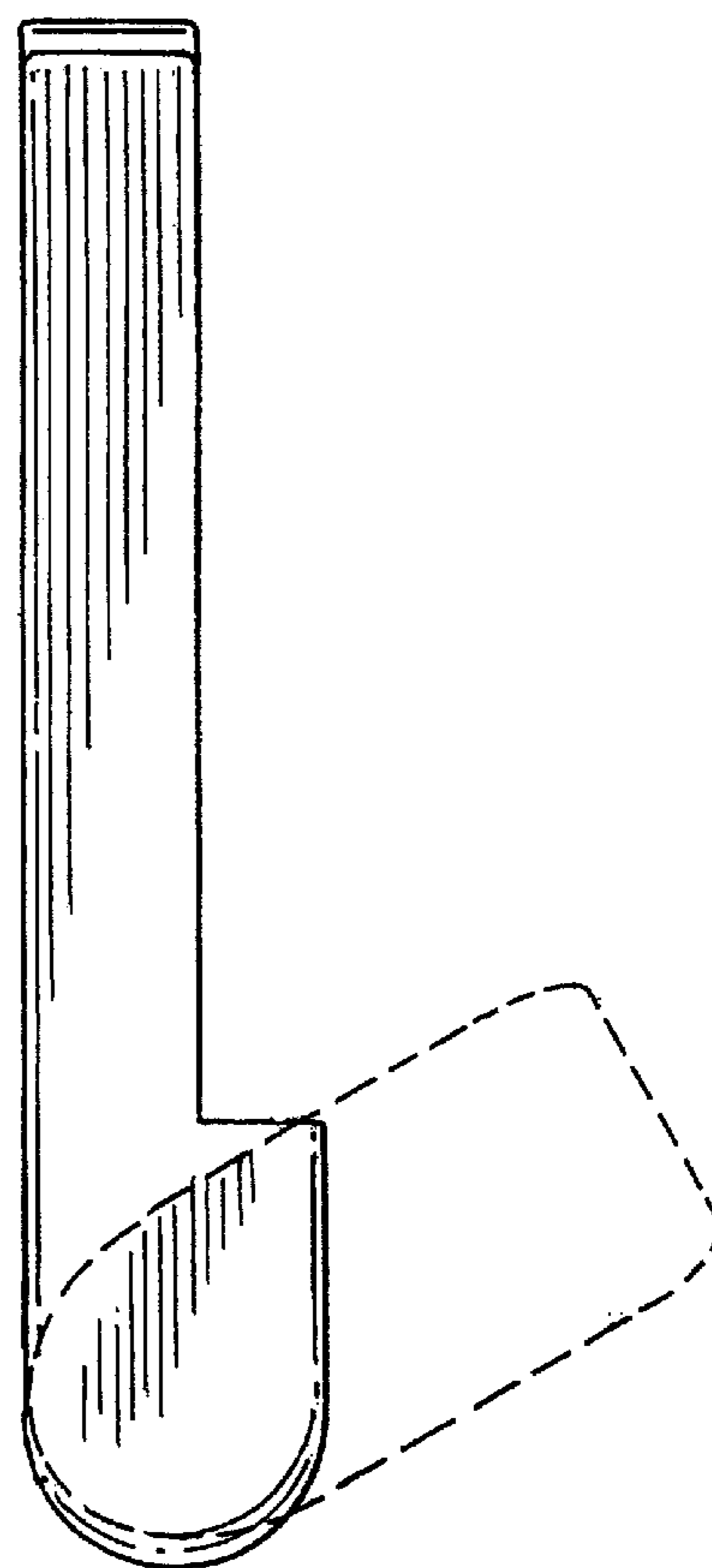


FIGURE 6

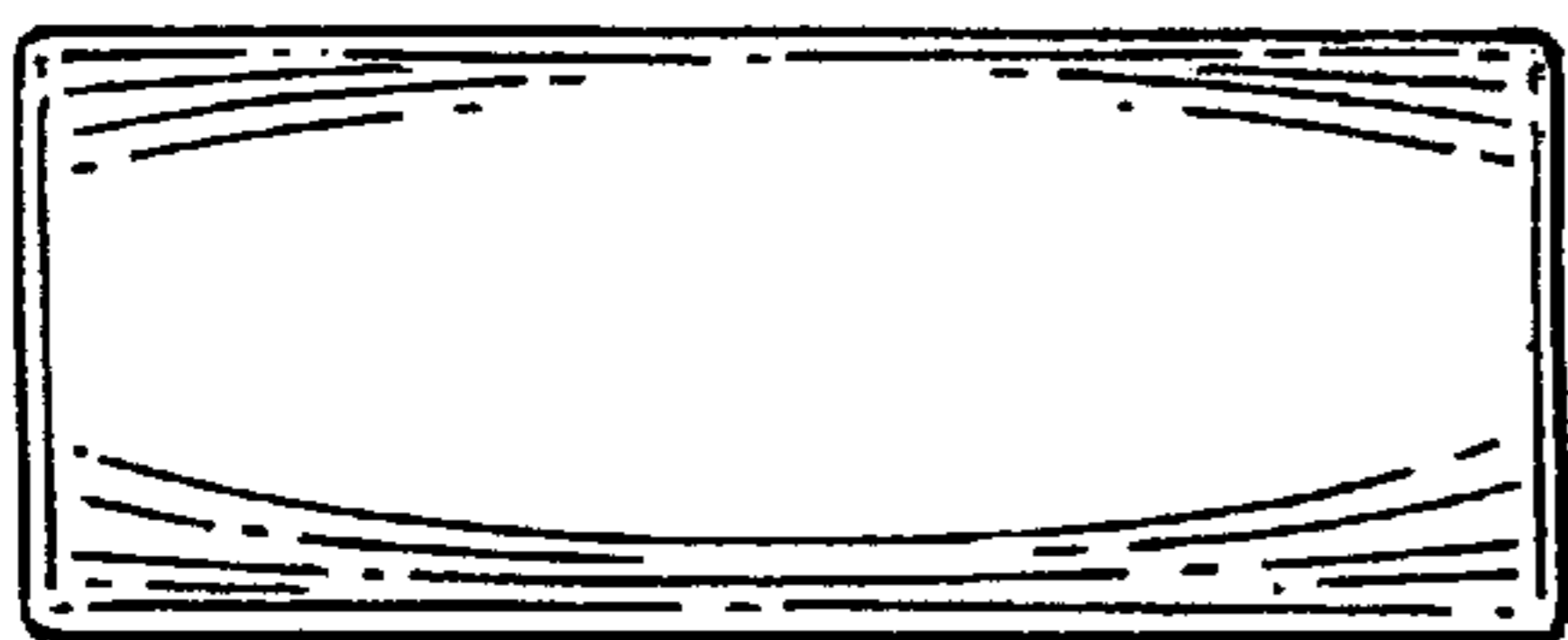


FIGURE 7