



US00D427586S

United States Patent [19]

Cozzolino et al.

[11] Patent Number: Des. 427,586

[45] Date of Patent: ** Jul. 4, 2000

[54] **MICROPHONE SWIVEL ADAPTER**

[75] Inventors: **Steven C. Cozzolino; John Sundquist; Chun C. Chang**, all of Chicago, Ill.

[73] Assignee: **Shure Incorporated**, Evanston, Ill.

[**] Term: **14 Years**

[21] Appl. No.: **29/099,258**

[22] Filed: **Jan. 19, 1999**

[51] **LOC (7) Cl.** **14-01**

[52] **U.S. Cl.** **D14/229**

[58] **Field of Search** D8/356; D14/217, D14/224-229; 24/11 M, 11 R, 339; 181/158, 242; 248/49, 74.1, 126, 163.1, 539, 645, 688

[56] **References Cited**

U.S. PATENT DOCUMENTS

D. 251,970	5/1979	Fujita	D14/229
D. 269,155	5/1983	Rose	D8/356
D. 305,026	12/1989	Wolf	D14/229
D. 397,120	8/1998	Liou	D14/229
4,997,148	3/1991	Sherman	248/74.1
5,018,260	5/1991	Ziu	248/126
5,642,557	7/1997	Clews	24/339

OTHER PUBLICATIONS

Page from Shure—Catalog AL 1350B (Jul. 1998).
Page from Beyerdynamic Catalog—E1/Accessories (May 1991).

Page from AKG Full Line Catalog (1997).
Page from Audio-Technica Catalog (1990).
Page from Audix Professional Microphones Brochure (1994).
Page from CAD (Conneaut Audio Devices)—Pro Performance Microphones Brochure (Believed to be dated prior to Jan. 1998).
Page from Electro-Voice—Broadcast/Production Products Catalog (1993).
Page from *Electronic Musician* Magazine (Jul. 1996).
Page from Sennheiser—Revue 13 (Believed to be dated prior to Jan. 1998).
Page from Peavey—Microphones Catalog (1990).

Primary Examiner—Nanda Bondade
Attorney, Agent, or Firm—Banner & Witcoff, Ltd.

[57] **CLAIM**

The ornamental design for a microphone swivel adapter, as shown and described.

DESCRIPTION

FIG. 1 is an isometric view of a microphone swivel adaptor showing our new design;
FIG. 2 is front elevational view thereof;
FIG. 3 is a right side elevational view thereof;
FIG. 4 is a rear elevational view thereof;
FIG. 5 is a top plan view thereof;
FIG. 6 is a left side elevational view thereof; and,
FIG. 7 is a bottom plan view thereof.
The broken lines which define the bounds of the claimed design form no part thereof.

1 Claim, 2 Drawing Sheets

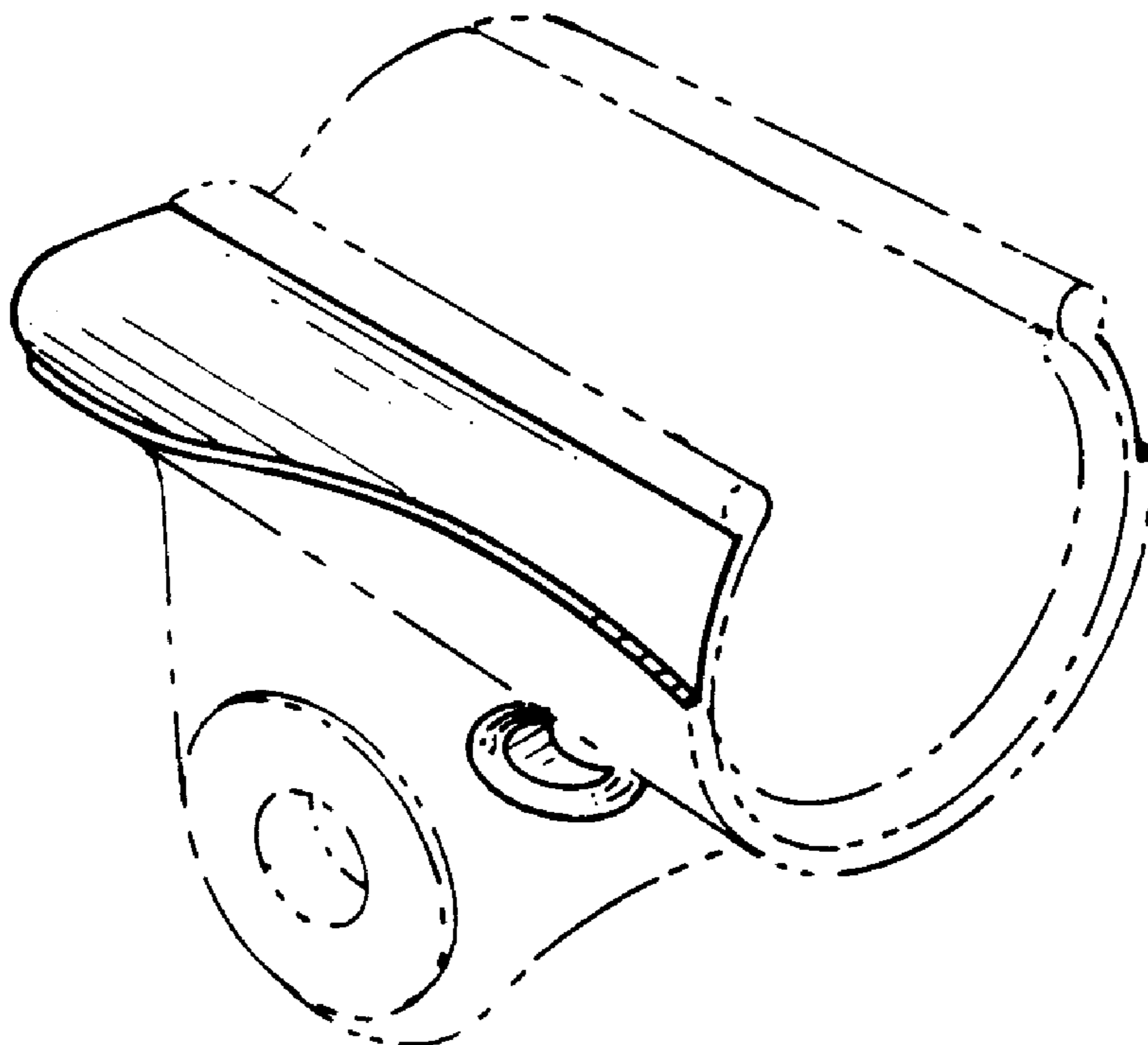


FIG. 1

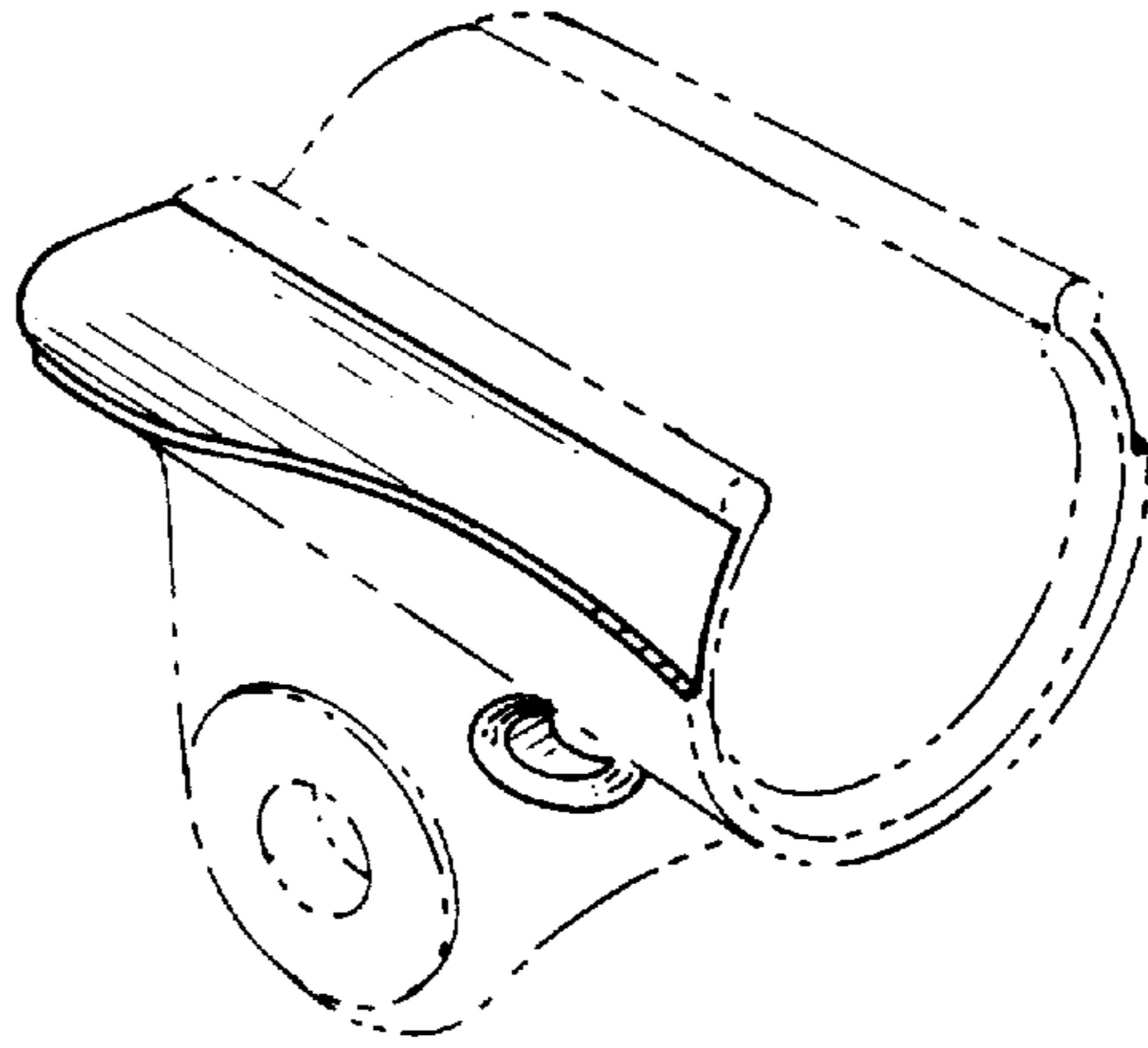


FIG. 2

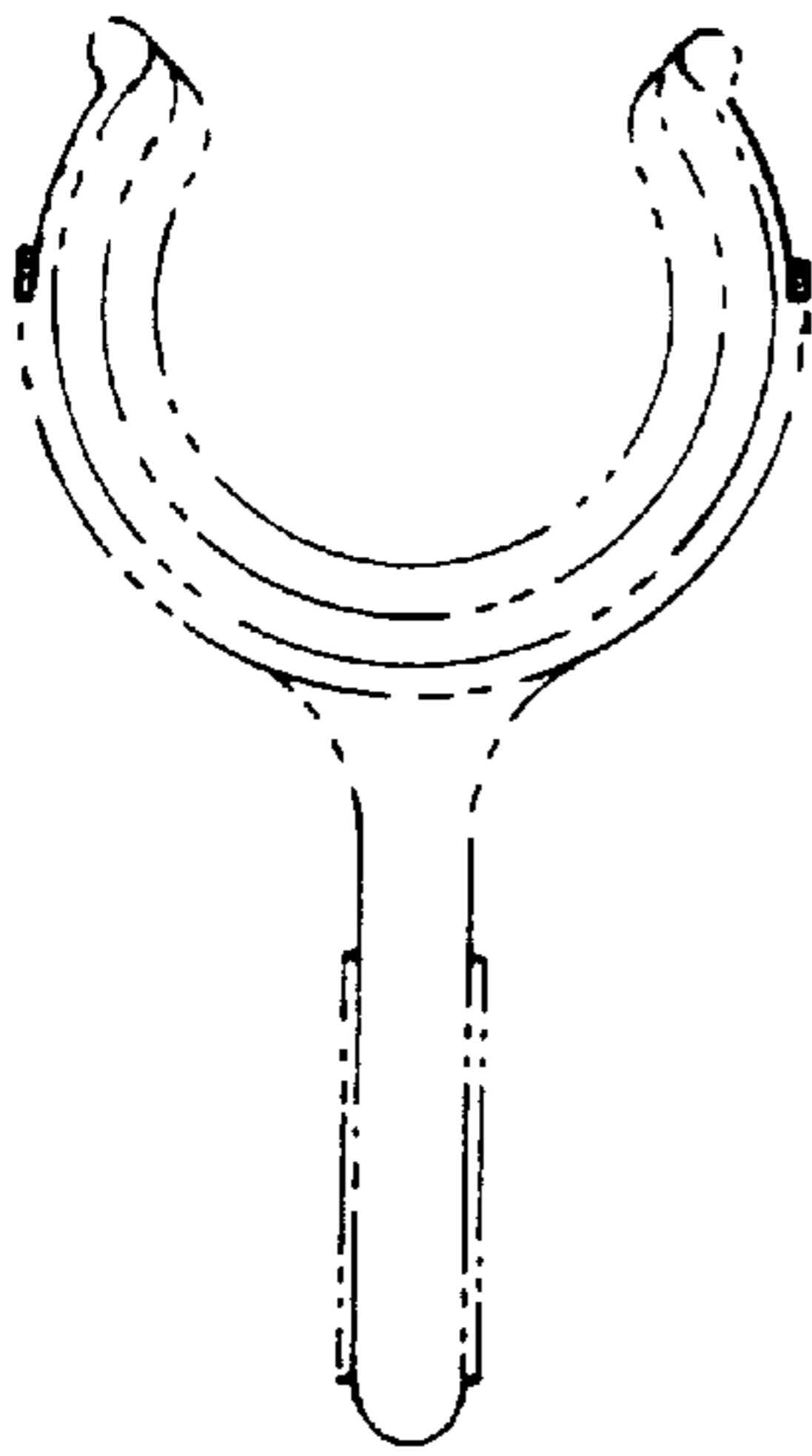


FIG. 3

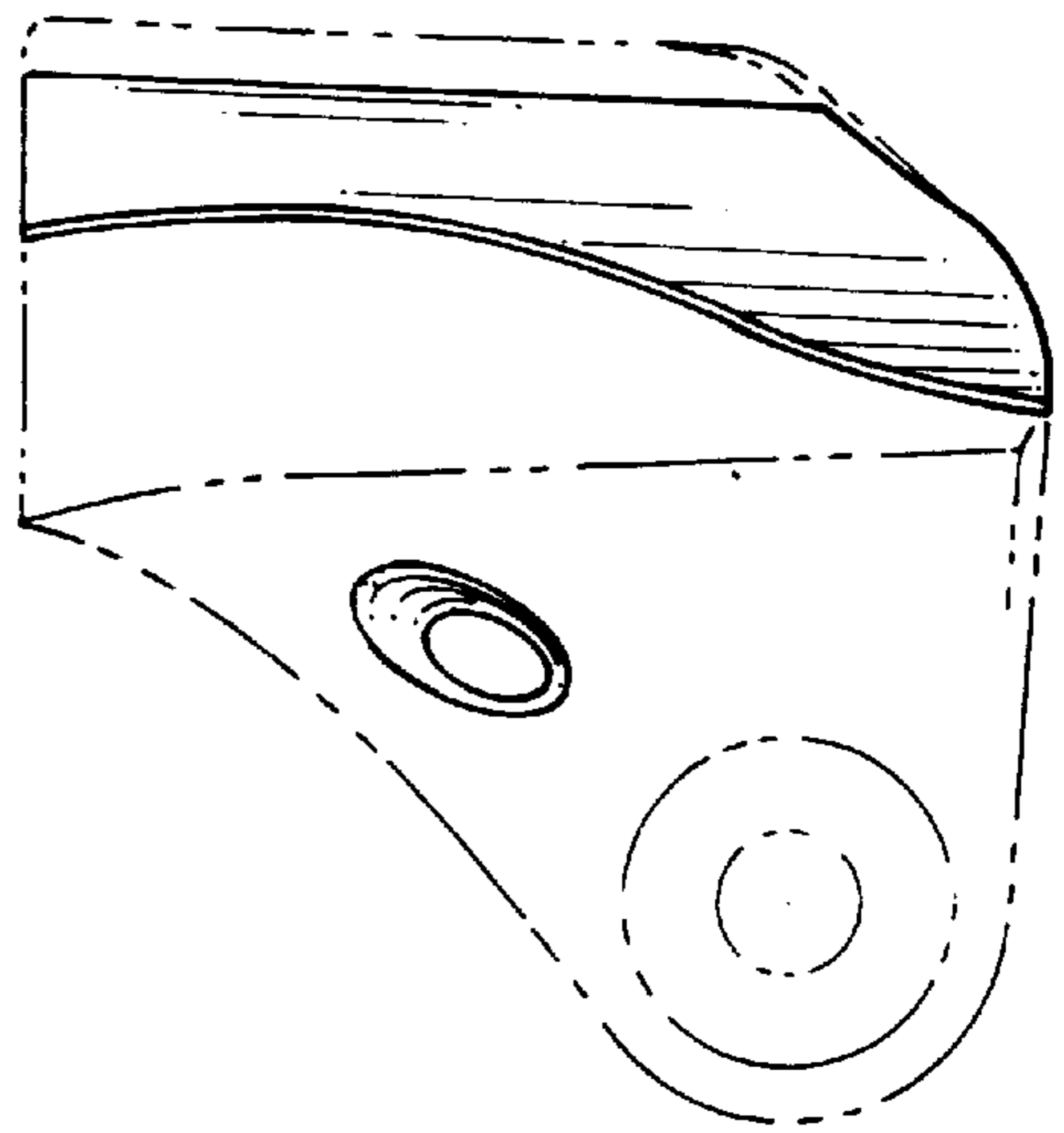


FIG. 4

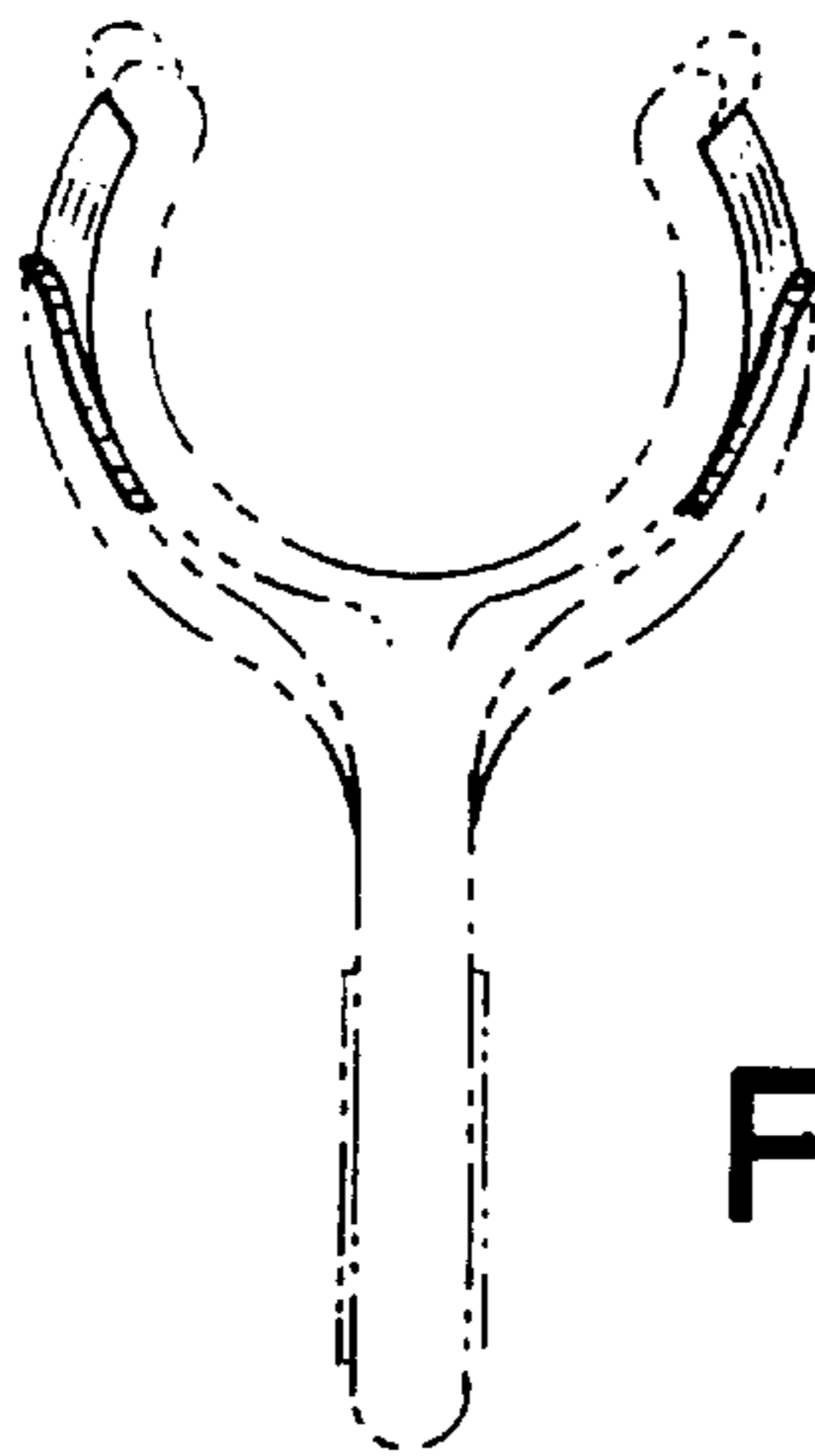


FIG. 5

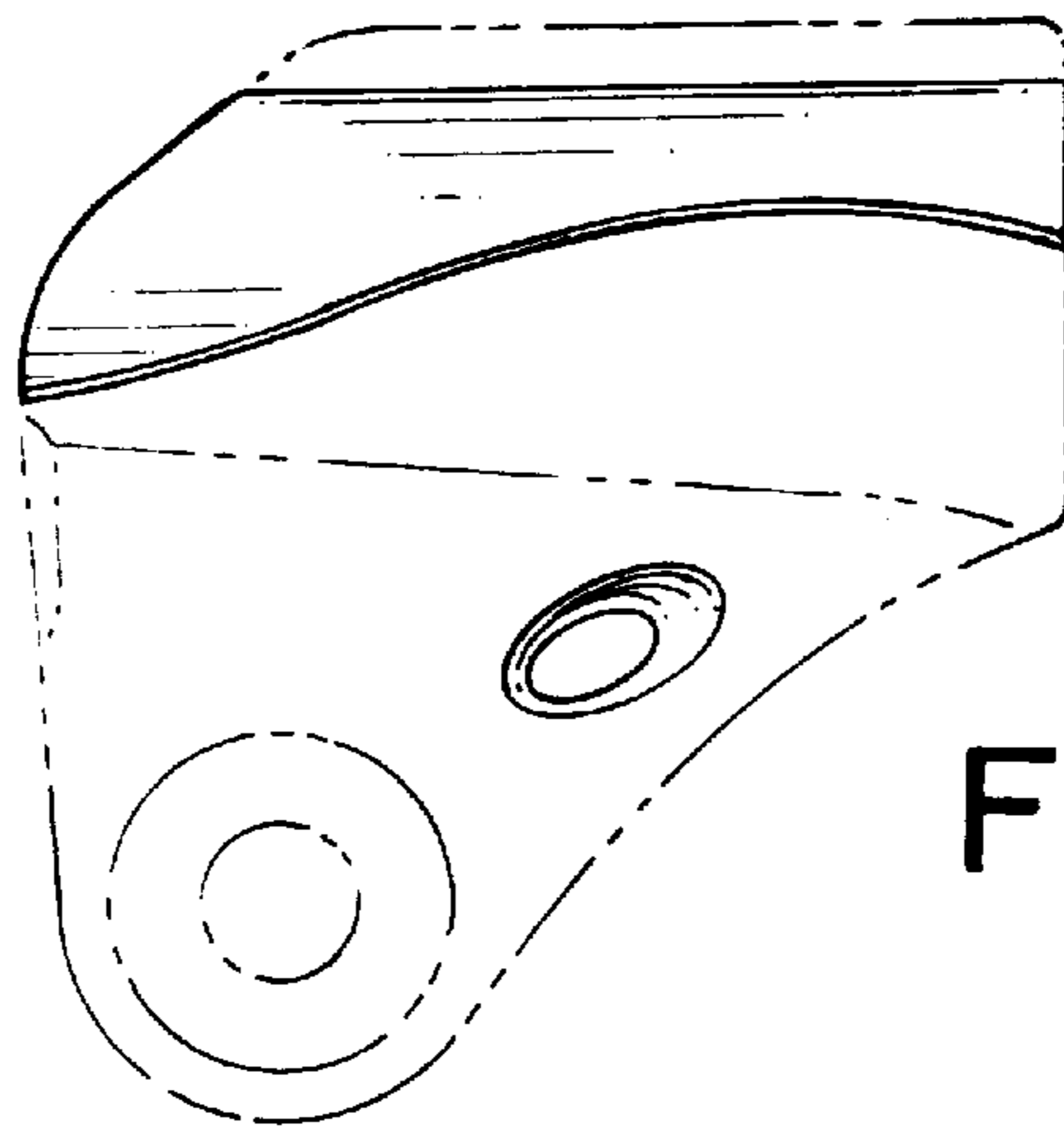
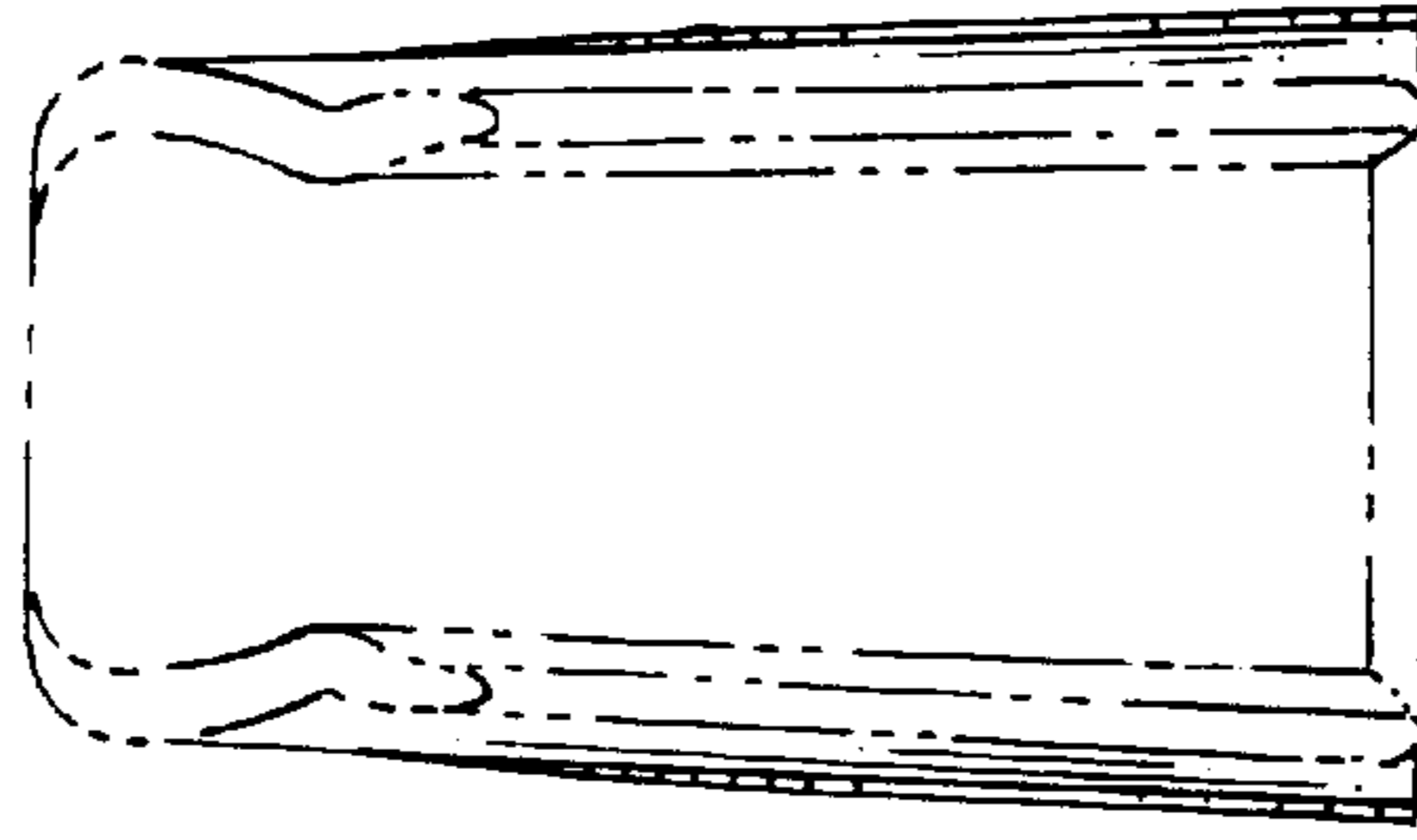


FIG. 6

FIG. 7

