



US00D427581S

United States Patent [19] Hattori

[11] **Patent Number: Des. 427,581**
[45] **Date of Patent: ** Jul. 4, 2000**

[54] **COMBINED DISC PLAYER AND RADIO RECEIVER**

[75] Inventor: **Naofumi Hattori**, Tokyo, Japan

[73] Assignee: **Sony Corporation**, Japan

[**] Term: **14 Years**

[21] Appl. No.: **29/094,322**

[22] Filed: **Sep. 30, 1998**

[51] **LOC (7) Cl.** **14-01**

[52] **U.S. Cl.** **D14/168**

[58] **Field of Search** D14/124, 156,
D14/160-168, 188, 193-198, 204, 209-216;
181/144-147, 150, 153, 157, 198-199;
381/24, 88, 90, 153, 159, 188; 455/344,
350, 351

[56] **References Cited**

U.S. PATENT DOCUMENTS

D. 311,187 10/1990 Mori D14/168 X
D. 327,683 7/1992 Takimoto D14/168

D. 339,345 9/1993 Fuke D14/163 X

OTHER PUBLICATIONS

Catalog "86"; Sony; Jul. 1997; pp. 101 & 102.

Catalog "87"; Sony; Nov. 1997; p. 106.

Catalog "89"; Sony; Jul. 1988; p. 96.

Primary Examiner—Nanda Bondade

Attorney, Agent, or Firm—Rader, Fishman & Grauer

[57] **CLAIM**

The ornamental design for a combined disc player and radio receiver, as shown and described.

DESCRIPTION

FIG. 1 is a perspective view of a combined disc player and radio receiver showing my new design;

FIG. 2 is a top plan view thereof;

FIG. 3 is a left side elevational view thereof;

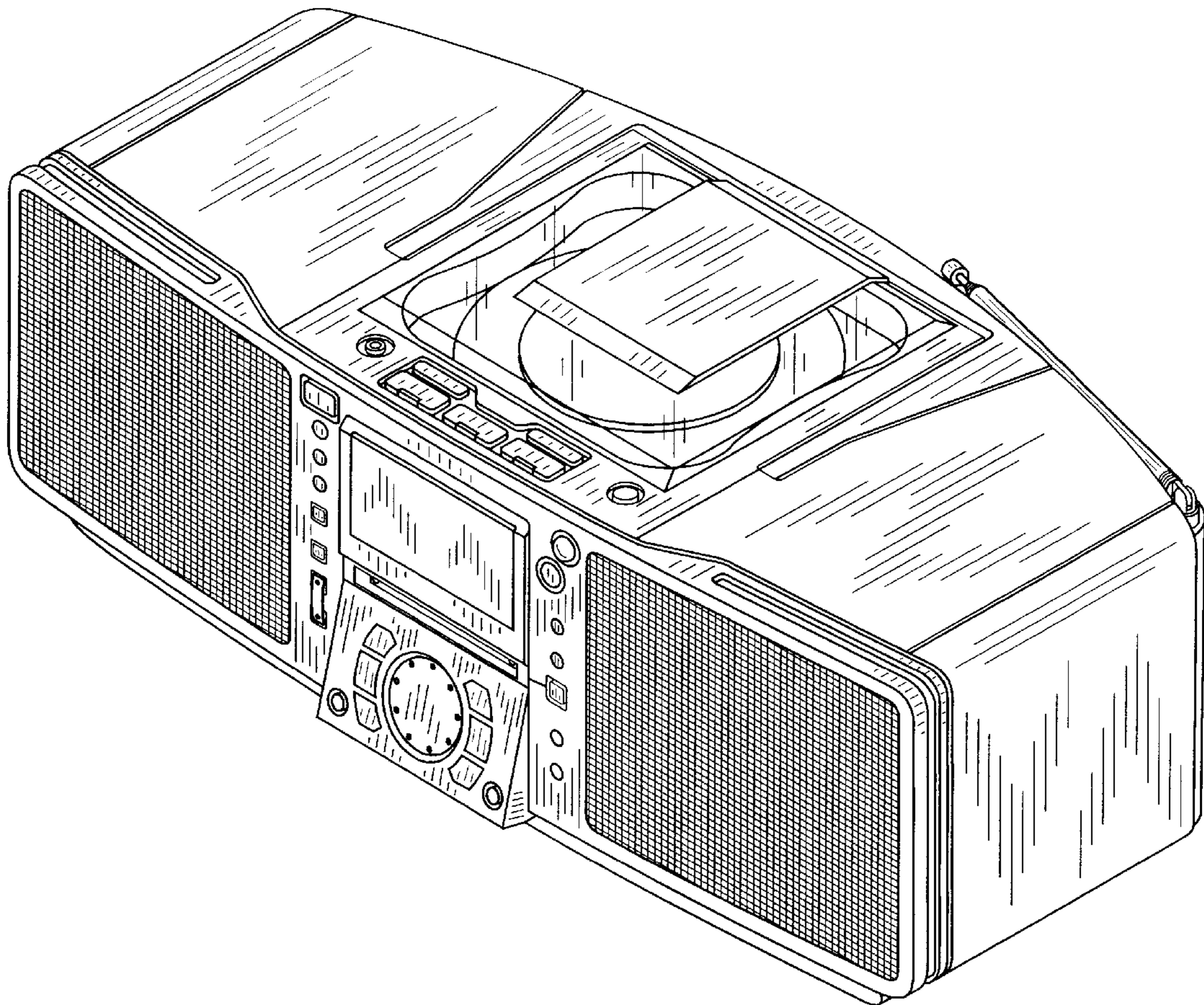
FIG. 4 is a front elevational view thereof;

FIG. 5 is a bottom plan view thereof;

FIG. 6 is a right side elevational view thereof; and,

FIG. 7 is a rear elevational view thereof.

1 Claim, 5 Drawing Sheets



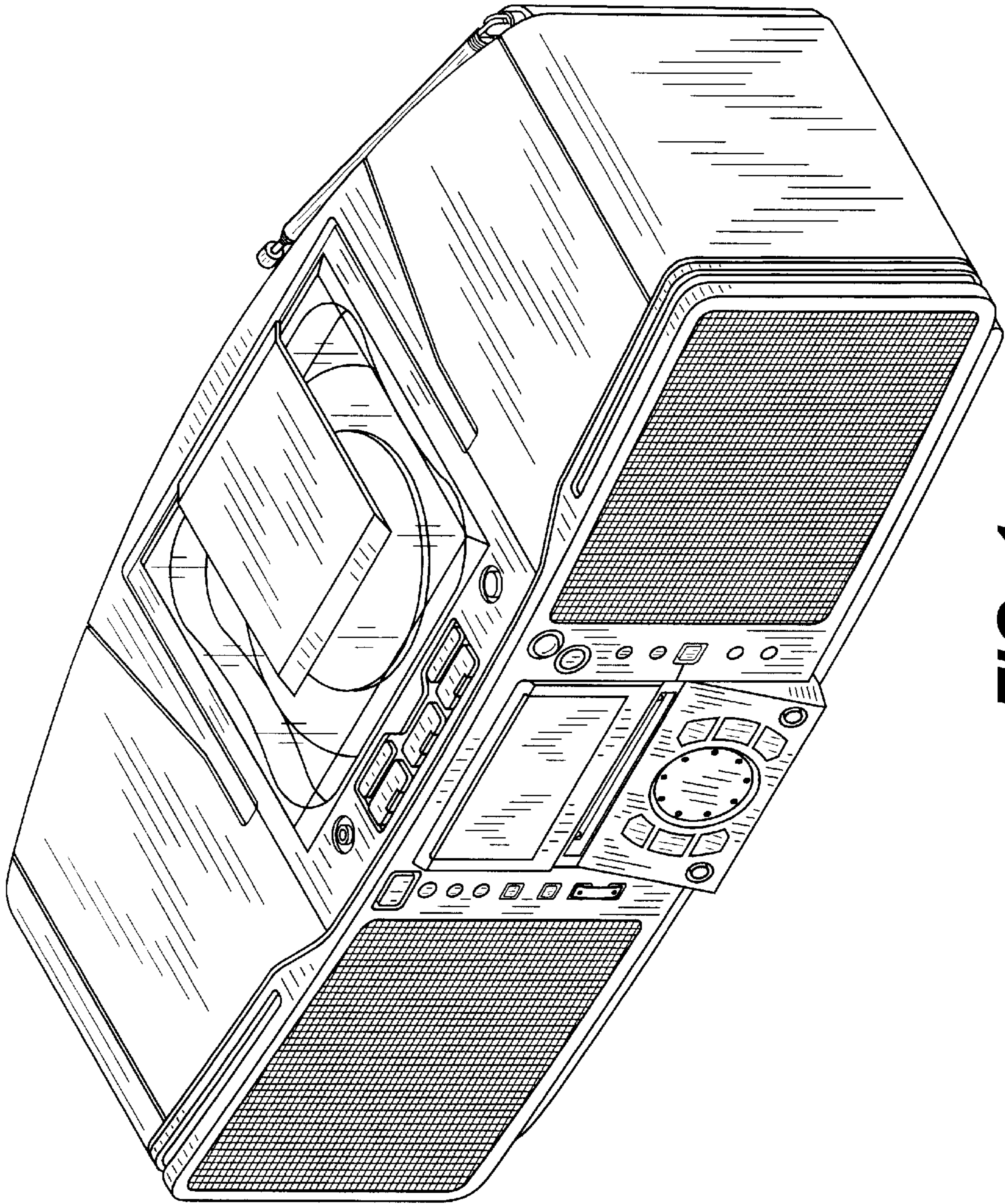


FIG. 1

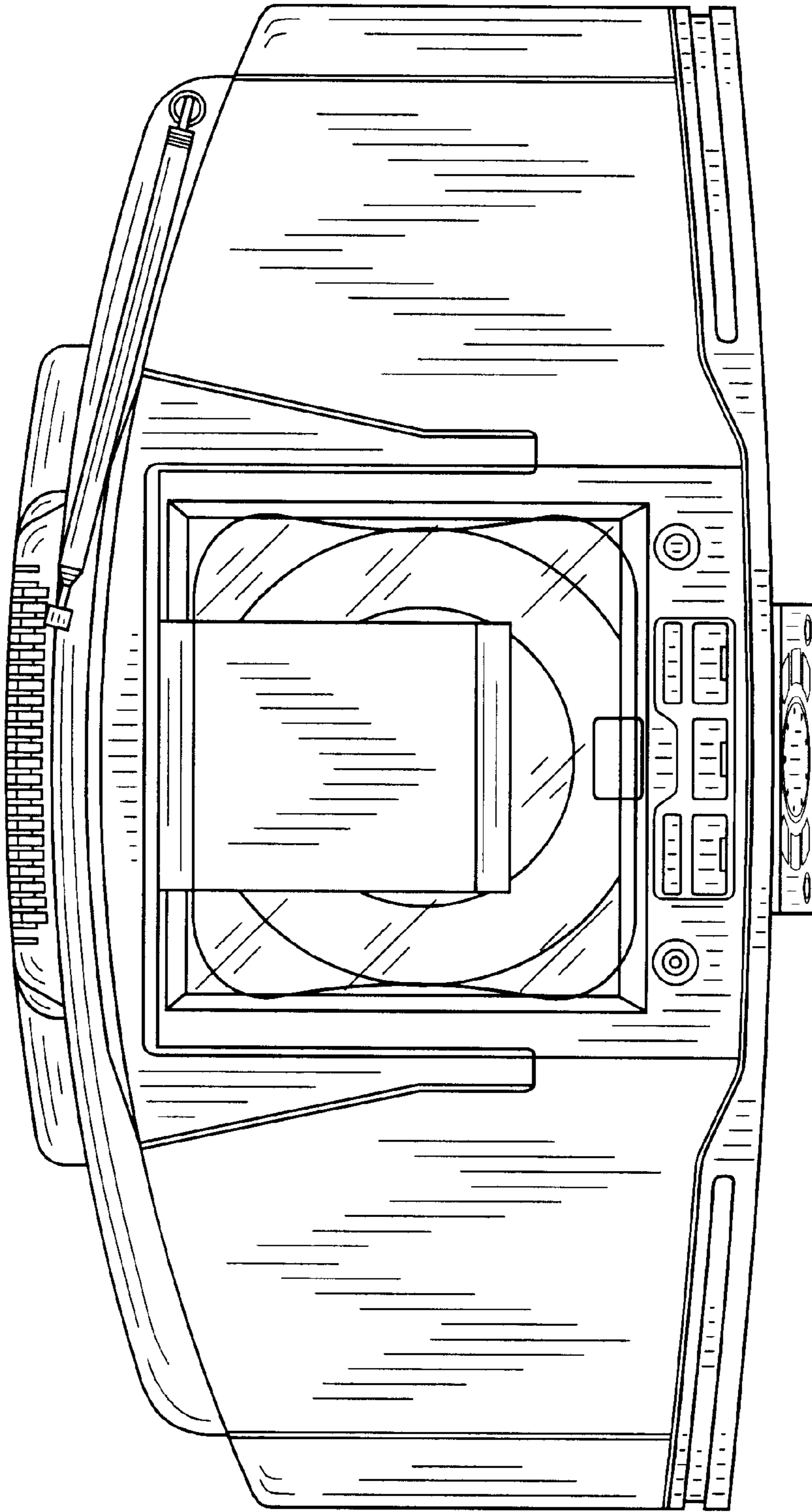


FIG. 2

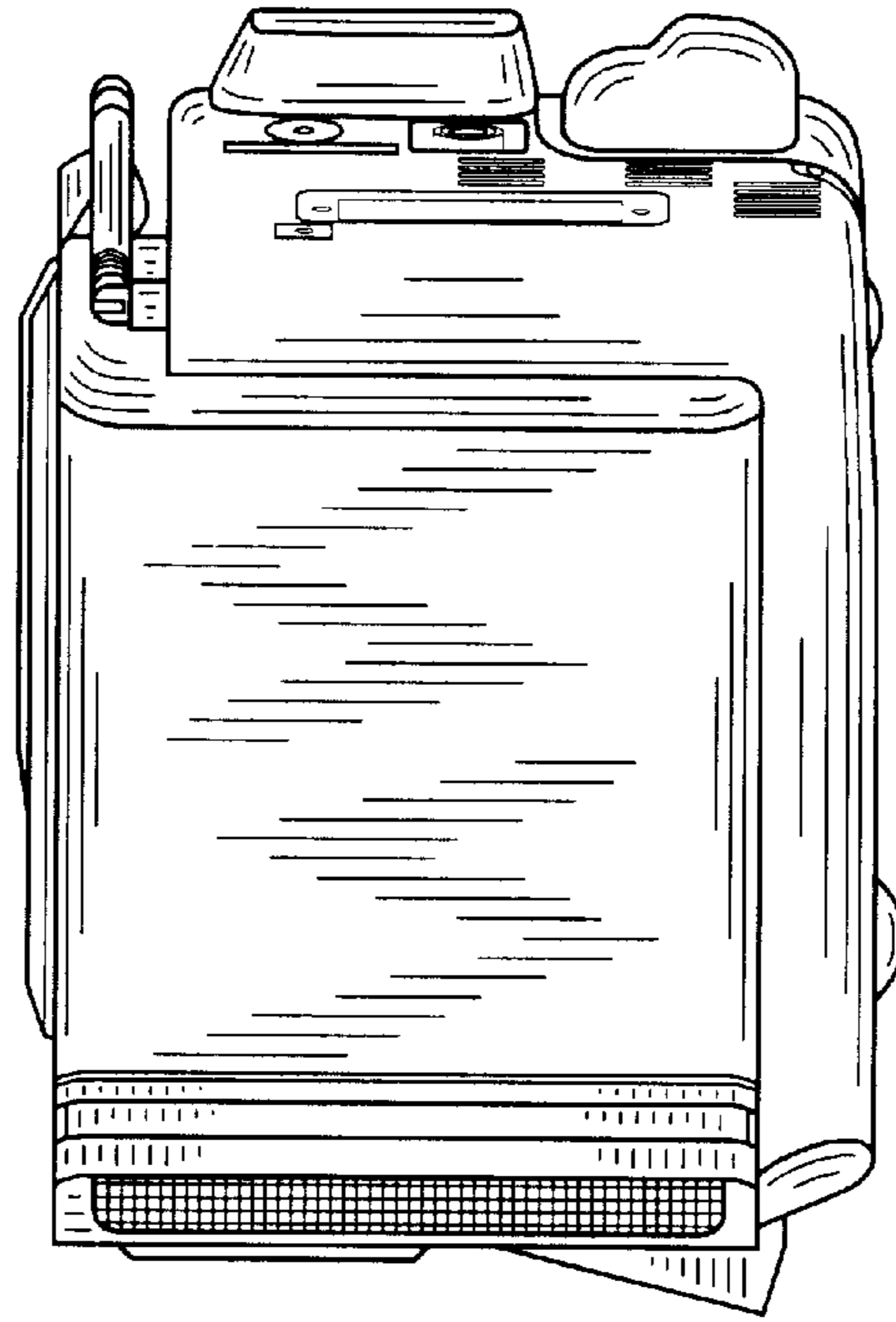


FIG. 6

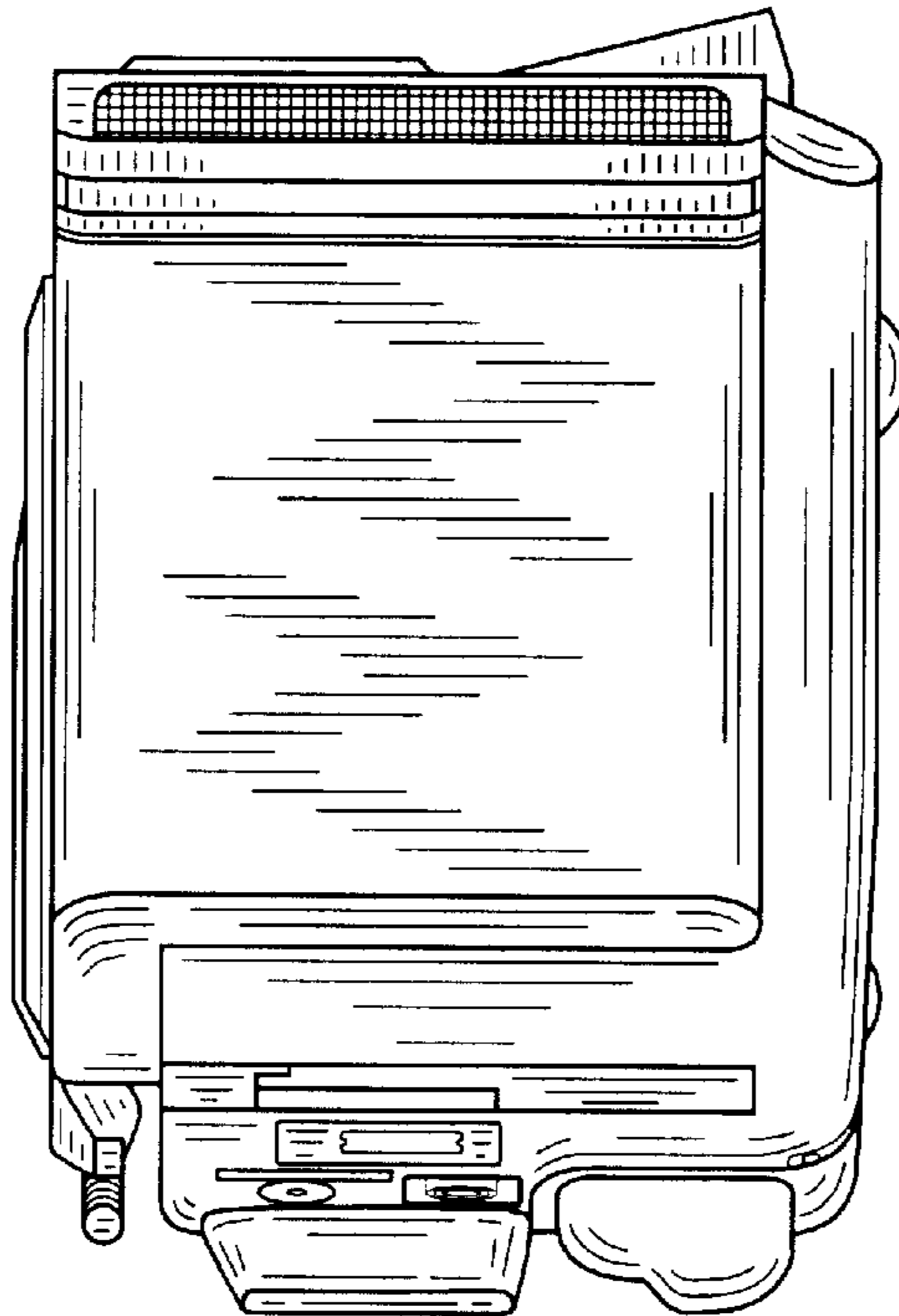


FIG. 3

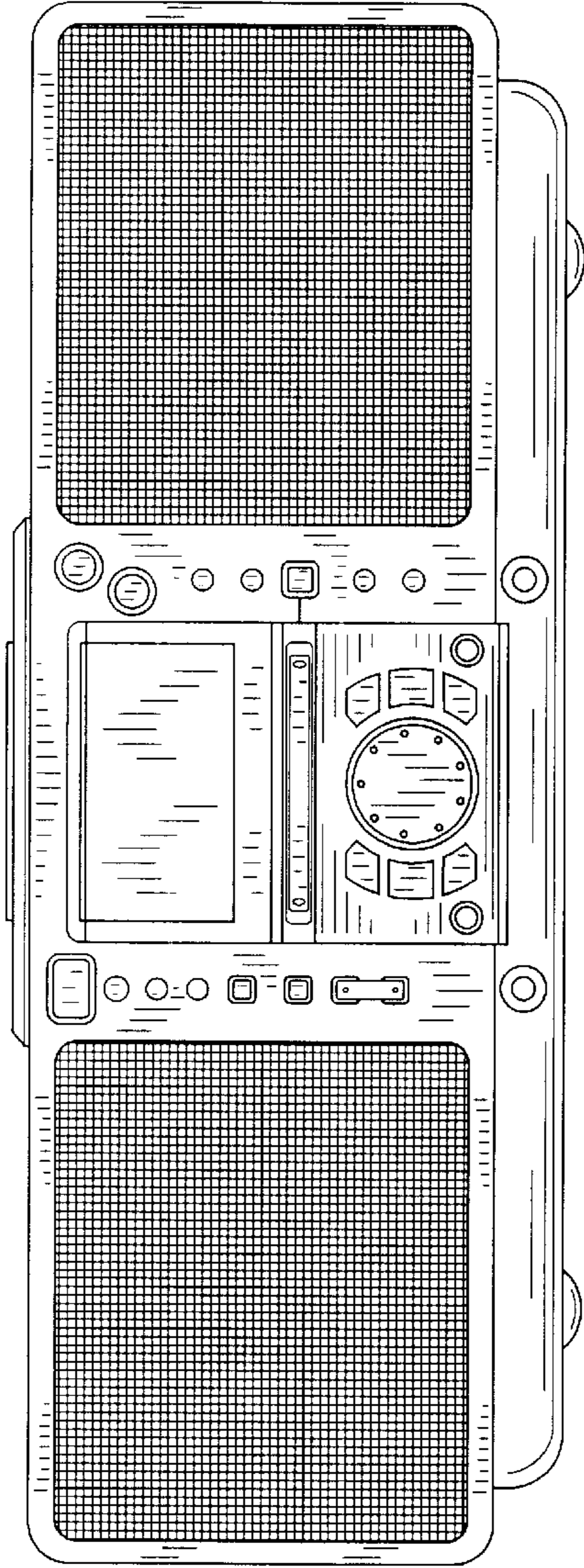


FIG. 4

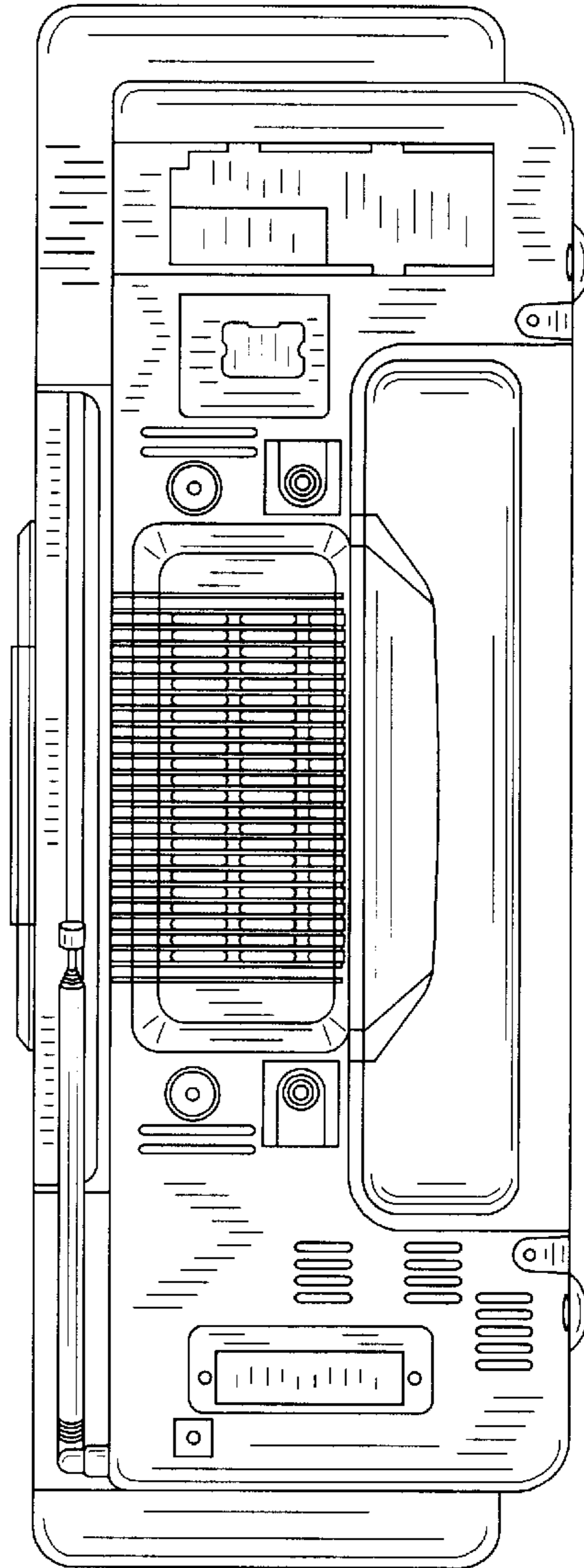


FIG. 7

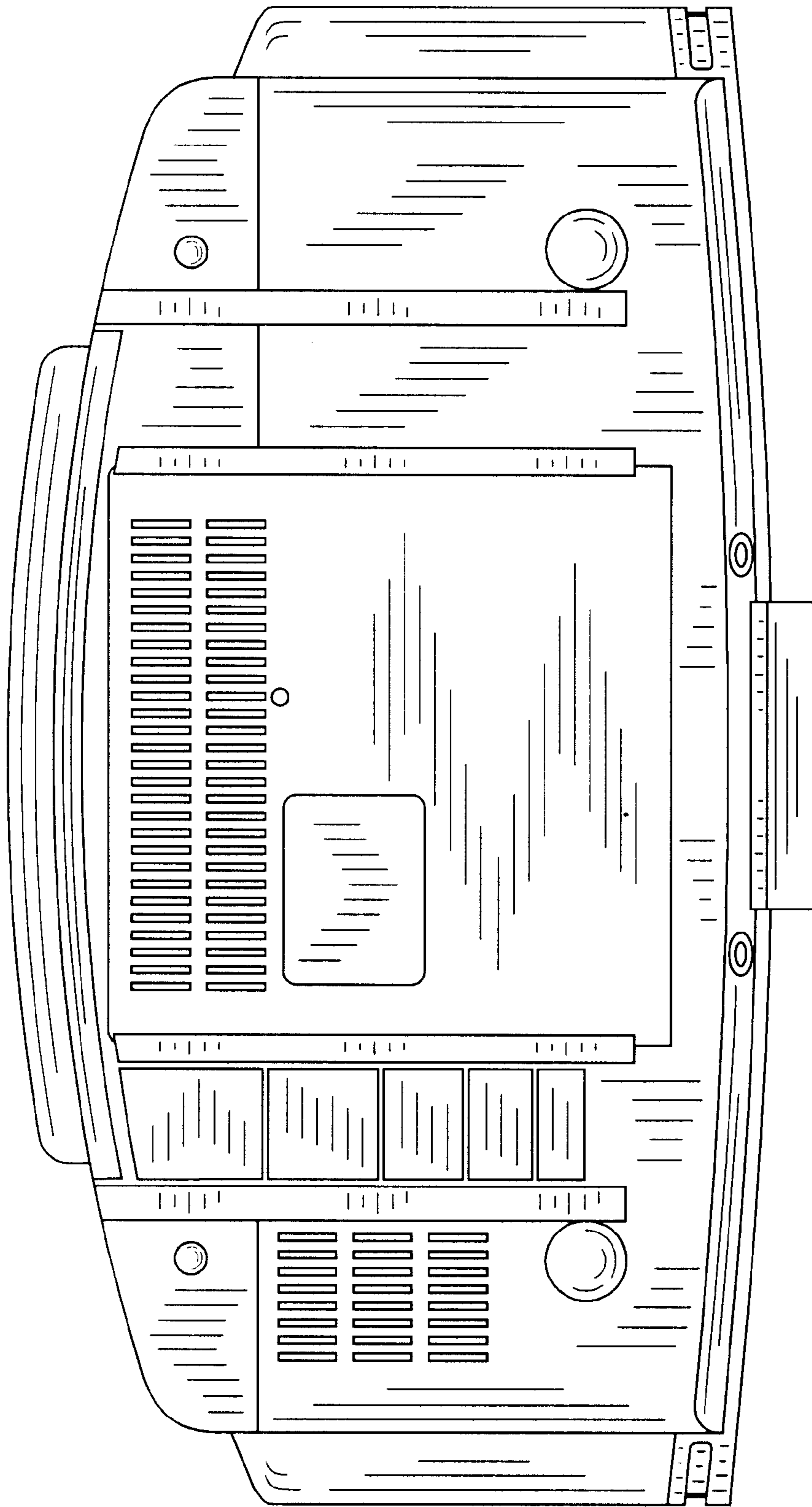


FIG. 5