



US00D427573S

**United States Patent** [19]  
**Wiggins**

[11] **Patent Number: Des. 427,573**  
[45] **Date of Patent: \*\* Jul. 4, 2000**

[54] **KEYBOARD TRAY**

556,064 3/1896 Pepper .  
4,073,460 2/1978 Dale .  
4,511,111 4/1985 Godfrey et al. .

[76] Inventor: **Charles D. Wiggins**, 615 N.  
Broadview, P.O. Box 1328, Cape  
Girardeau, Mo. 63702-1328

*Primary Examiner*—M. H. Tung  
*Attorney, Agent, or Firm*—Howell & Haferkamp, L.C.

[\*\*] Term: **14 Years**

[57] **CLAIM**

[21] Appl. No.: **29/101,120**

The ornamental design for a keyboard tray, as shown and described.

[22] Filed: **Feb. 23, 1999**

[51] **LOC (7) Cl.** ..... **14-02**

[52] **U.S. Cl.** ..... **D14/114**

[58] **Field of Search** ..... D14/114, 100;  
D19/86, 92, 95, 91; 248/441.1, 917-24,  
346.02; D6/406, 420, 509, 511, 436, 430

**DESCRIPTION**

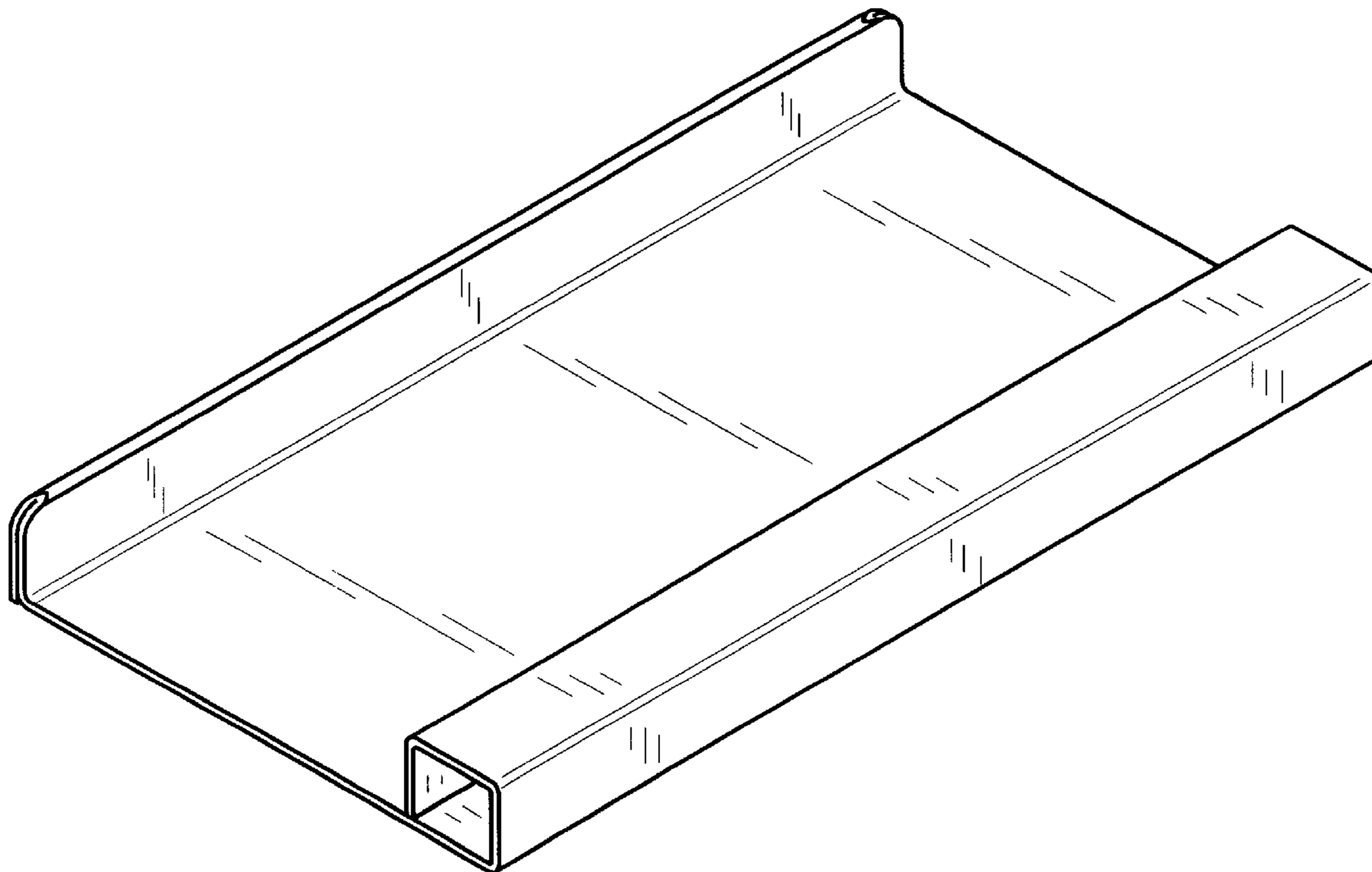
[56] **References Cited**

**U.S. PATENT DOCUMENTS**

D. 402,643	12/1998	Grassel	.....	D14/114
D. 409,588	5/1999	Dumont	.....	D14/114
D. 410,453	6/1999	Timm	.....	D14/114
D. 414,166	9/1999	De Paris	.....	D14/114
D. 415,482	10/1999	Jolson	.....	D14/114

FIG. 1 is perspective view of a keyboard tray showing my new design;  
FIG. 2 is an end elevational view of the keyboard tray of FIG. 1, the opposite end being a mirror image thereof;  
FIG. 3 is a front elevational view of the keyboard tray of FIG. 1;  
FIG. 4 is a rear elevational view of the keyboard tray of FIG. 1;  
FIG. 5 is a top plan view of the keyboard tray of FIG. 1; and,  
FIG. 6 is a bottom plan view of the keyboard tray of FIG. 1.

**1 Claim, 2 Drawing Sheets**



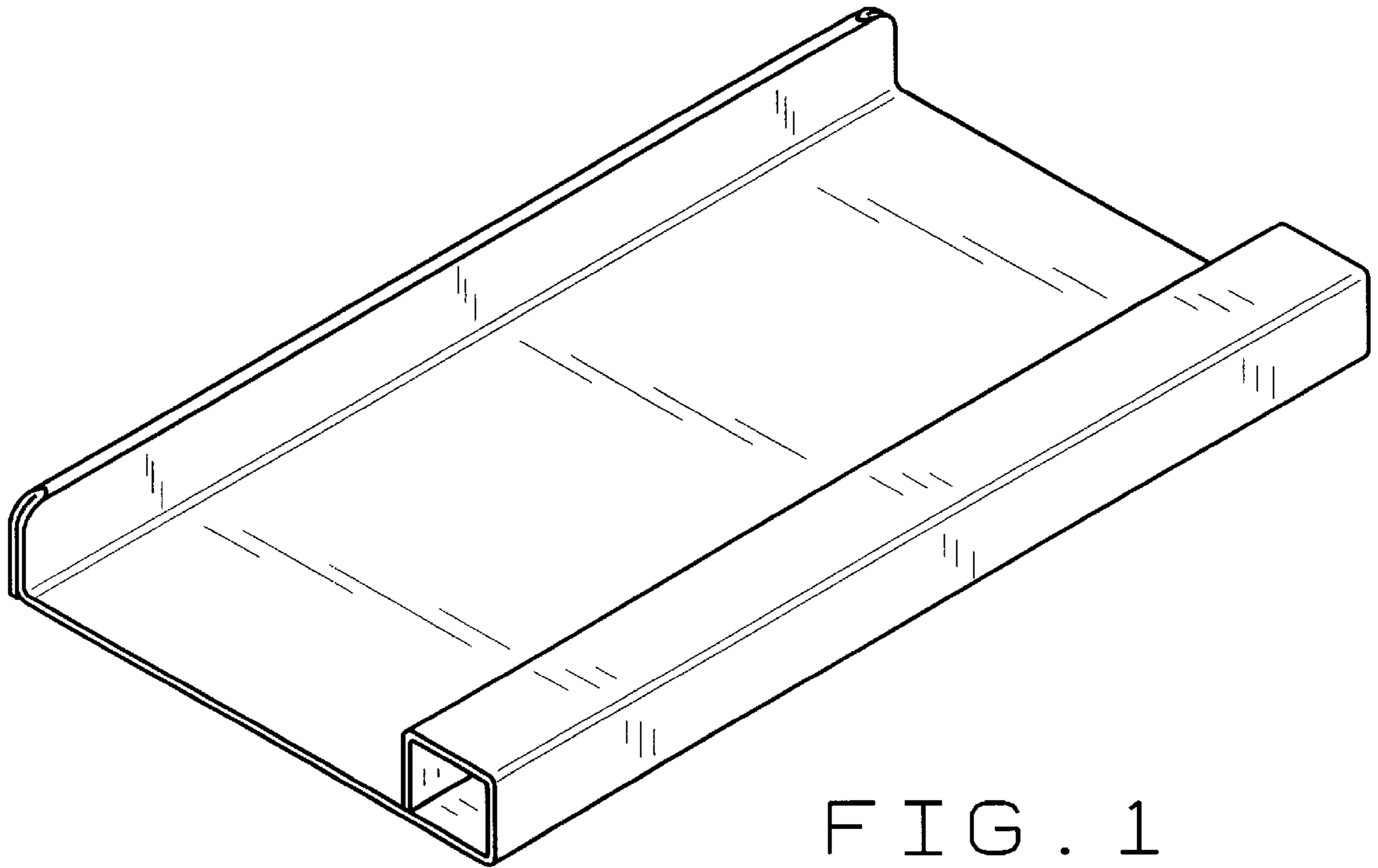


FIG. 1



FIG. 2



FIG. 3



FIG. 4

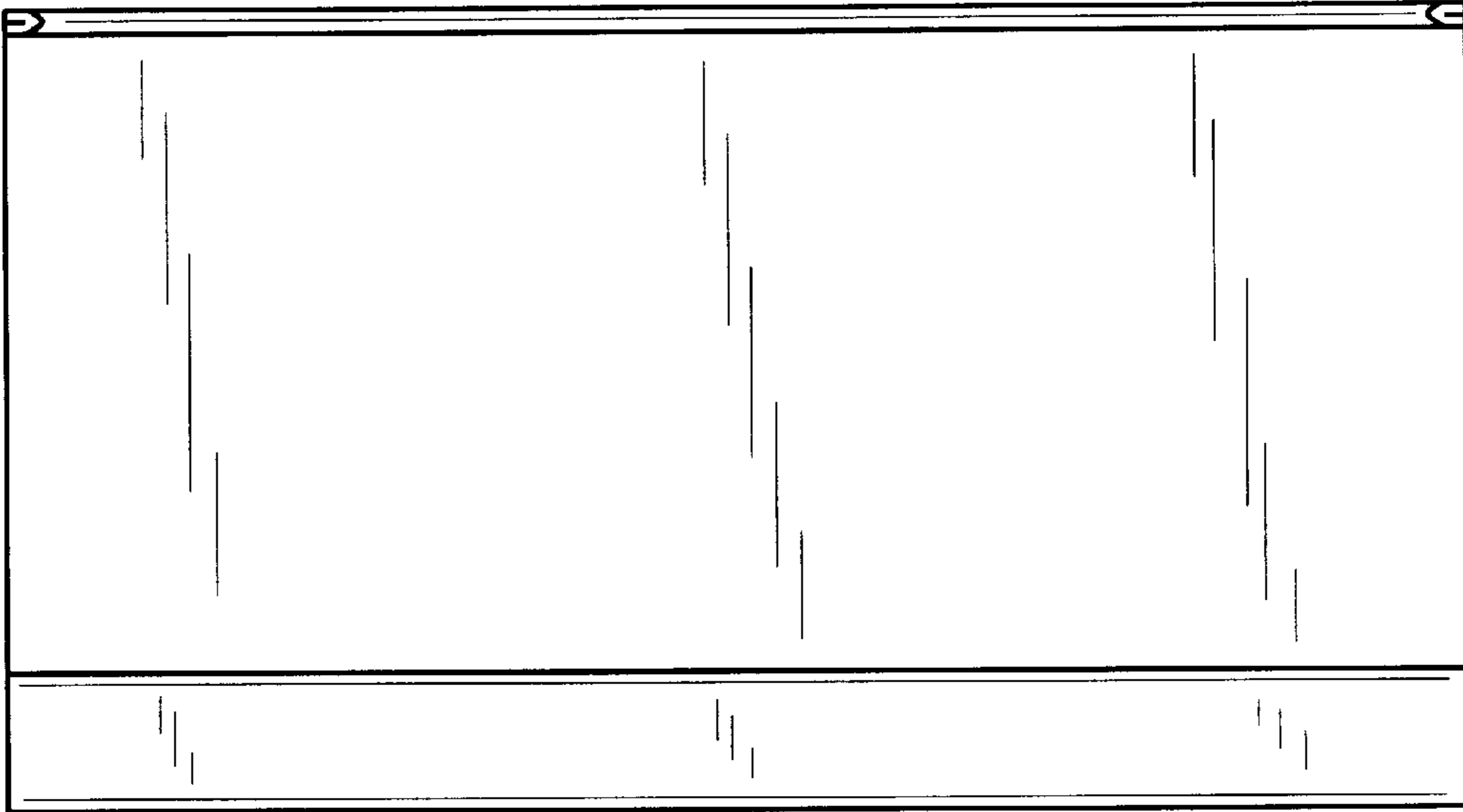


FIG. 5

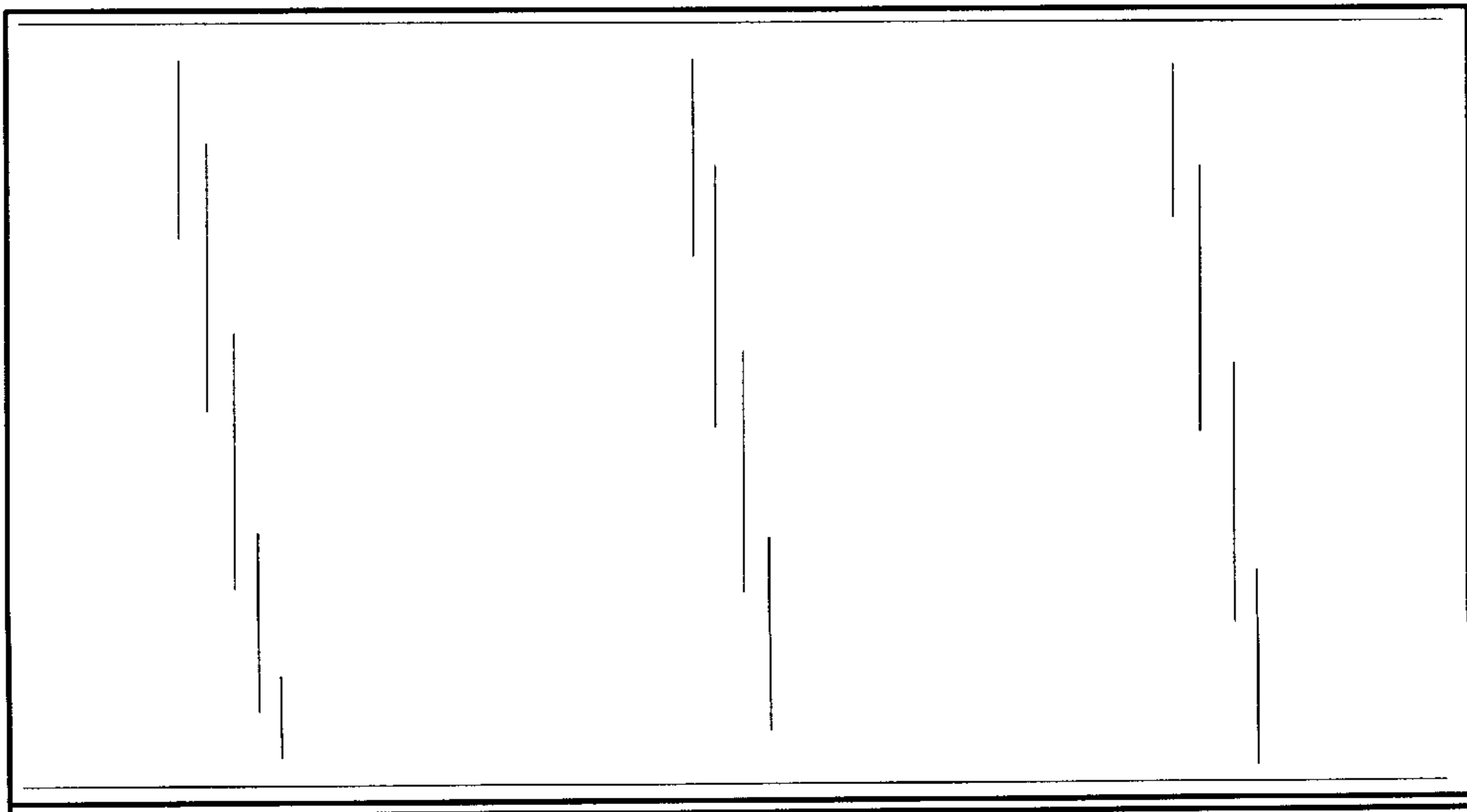


FIG. 6