



US00D427572S

# United States Patent [19]

Solomon et al.

[11] Patent Number: **Des. 427,572**

[45] Date of Patent: **\*\* Jul. 4, 2000**

[54] **MOBILE NOTEBOOK COMPUTER HANDLE**

[75] Inventors: **Brian Solomon**, Yorba Linda; **Walter Chantlos**, Anaheim; **Neil Nagy**, San Pedro, all of Calif.

[73] Assignee: **CDCE, Inc.**, Yorba Linda, Calif.

[\*\*] Term: **14 Years**

[21] Appl. No.: **29/086,776**

[22] Filed: **Apr. 20, 1998**

[51] **LOC (7) Cl.** ..... **14-02**

[52] **U.S. Cl.** ..... **D14/114**

[58] **Field of Search** ..... D14/100, 114;  
D8/315-6, 319-20, 306, 300, 313; 16/410,  
436; 294/137

[56] **References Cited**

**U.S. PATENT DOCUMENTS**

D. 193,468	8/1962	Thompson .	
D. 274,784	7/1984	Pelavin et al. ....	D8/306
D. 282,217	1/1986	Seynhaeve .	
D. 301,201	5/1989	King .....	D8/306
D. 335,810	5/1993	Asien .....	D8/306

D. 380,956	7/1997	Collins .....	D8/316
D. 391,262	2/1998	Rosen .....	D14/114 X
1,204,877	11/1916	Isidor .....	16/410

*Primary Examiner*—M. H. Tung  
*Attorney, Agent, or Firm*—Seong-Kun Oh; Limbach & Limbach L.L.P.

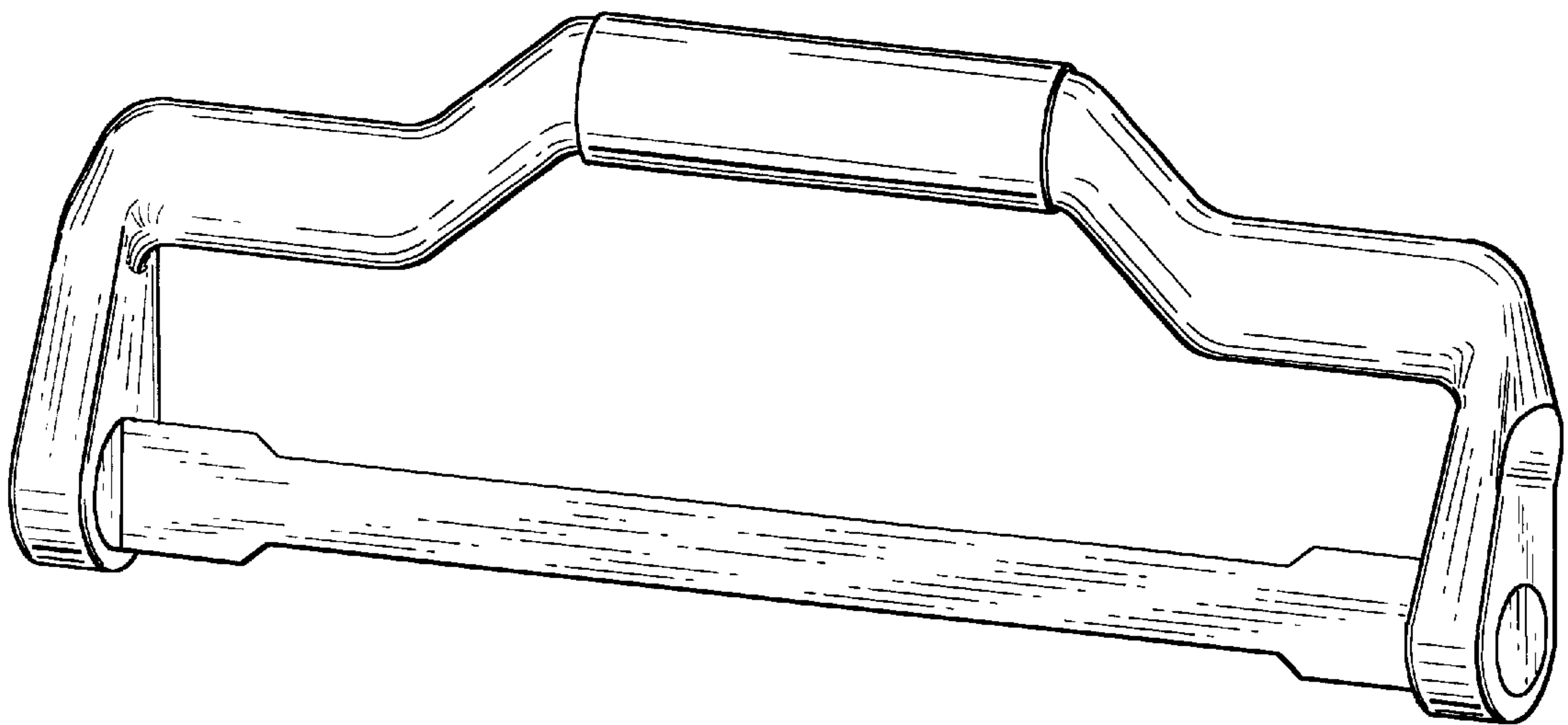
[57] **CLAIM**

The ornamental design for a mobile notebook computer handle, as shown and described.

**DESCRIPTION**

FIG. 1 is a perspective view of a mobile notebook computer handle showing our design in accordance a first embodiment;  
FIG. 2 is a front view of the first embodiment with the rear side being the same;  
FIG. 3 is a top plan view of the first embodiment;  
FIG. 4 is a side view of the first embodiment with the other side being the same;  
FIG. 5 is a side cross-sectional view of the first embodiment; and,  
FIG. 6 is a bottom plan view of the first embodiment.

**1 Claim, 2 Drawing Sheets**



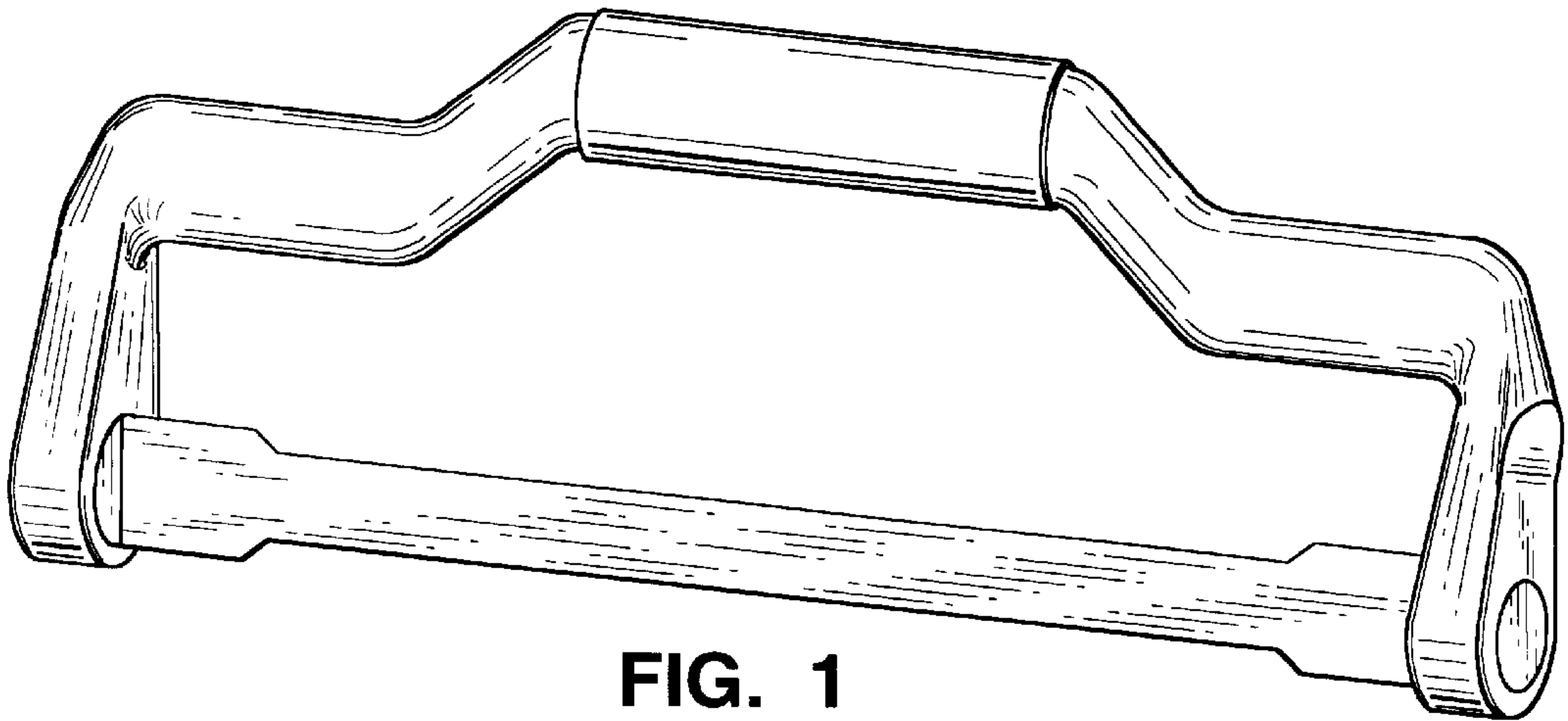


FIG. 1

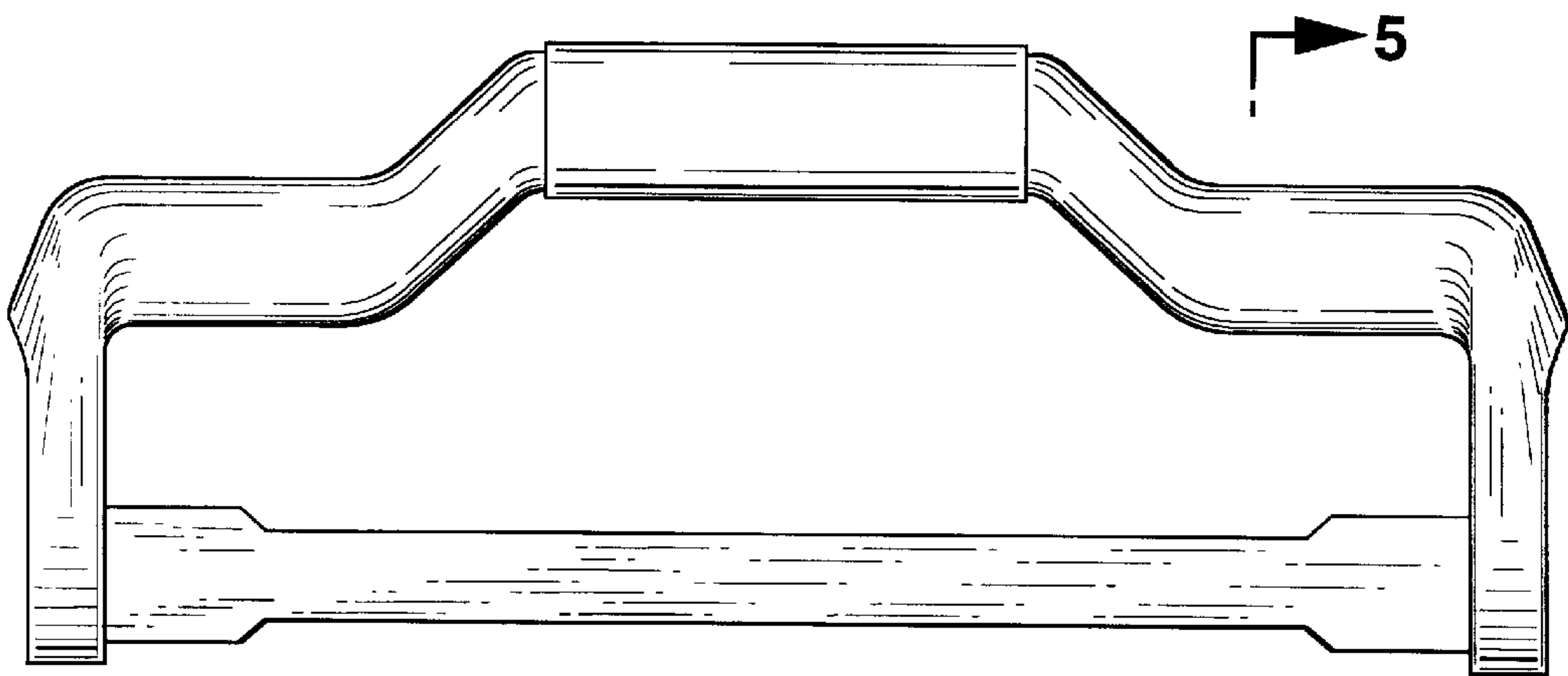


FIG. 2

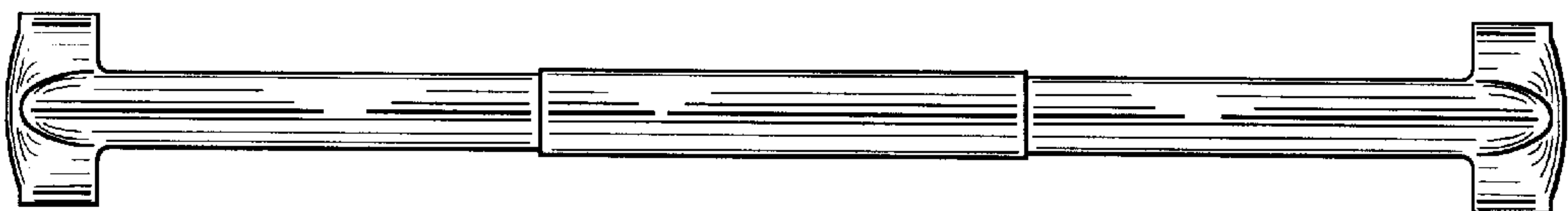


FIG. 3

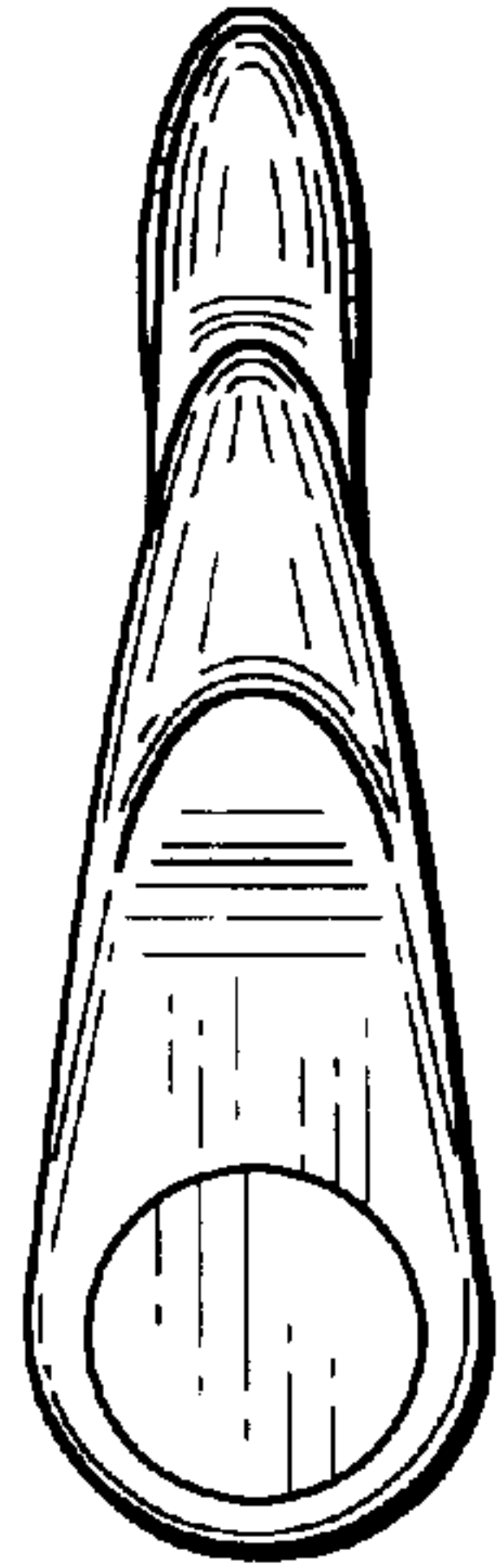


FIG. 4

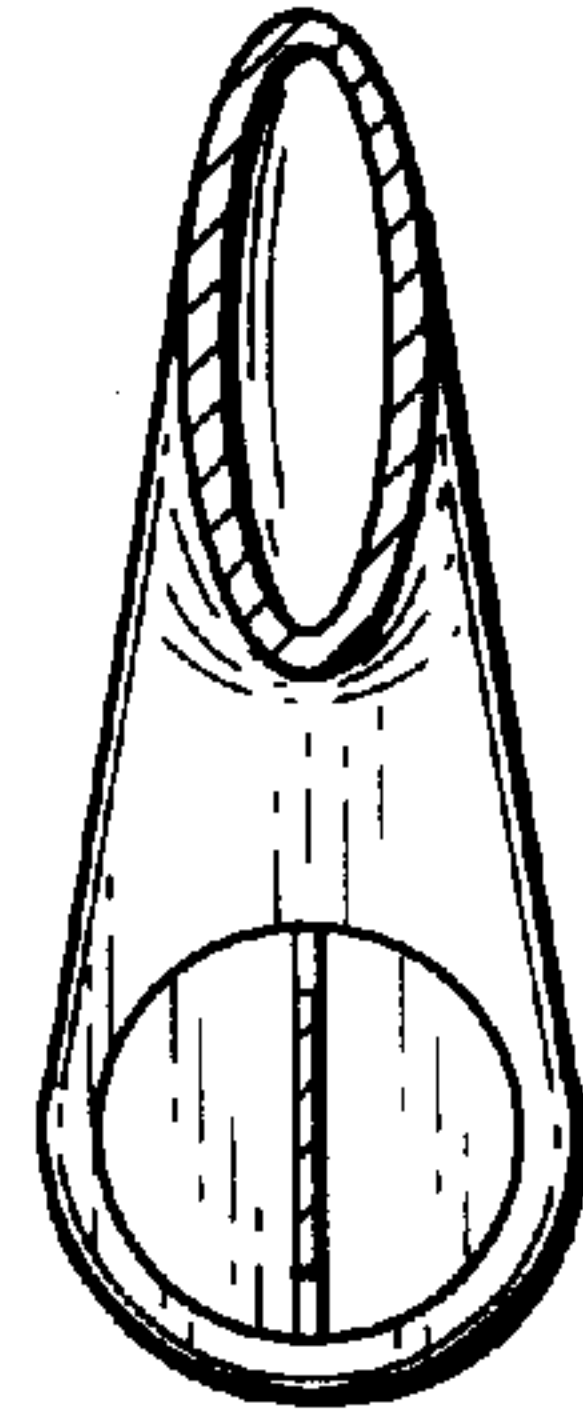


FIG. 5

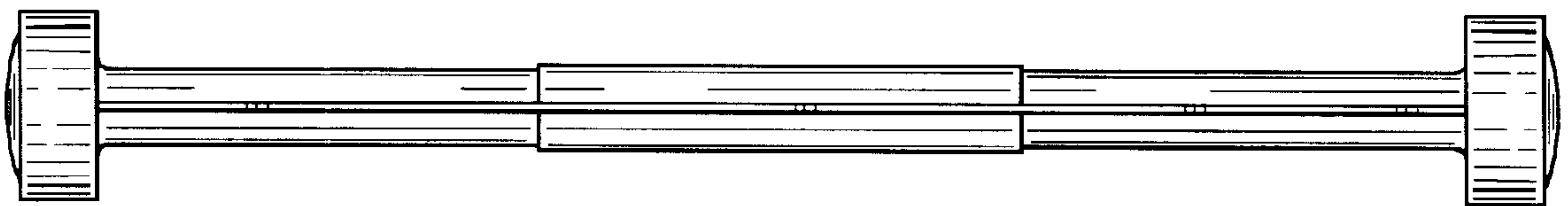


FIG. 6