



US00D427571S

United States Patent [19]

[11] **Patent Number: Des. 427,571**

Hsieh

[45] **Date of Patent: ** Jul. 4, 2000**

[54] **LOCKING BUTTON FOR A HEATSINK**

Primary Examiner—Brian N. Vinson
Attorney, Agent, or Firm—Gardere & Wynne, L.L.P.;
Sanford E. Warren, Jr.; Daniel J. Chalker

[76] **Inventor: Hsin-Mao Hsieh**, No. 6, East Section,
Chiao Nan Li, Industrial 6th Rd.,
Pingtung City, Pingtung Hsien, Taiwan

[57] **CLAIM**

[**] **Term: 14 Years**

The ornamental design for the locking button for a heatsink,
as shown and described.

[21] **Appl. No.: 29/101,924**

DESCRIPTION

[22] **Filed: Mar. 12, 1999**

[51] **LOC (7) Cl. 13-99**

[52] **U.S. Cl. D13/199**

[58] **Field of Search** D13/179, 199;
D30/394; 439/894; 174/1, 168; 361/437,
748, 759, 760

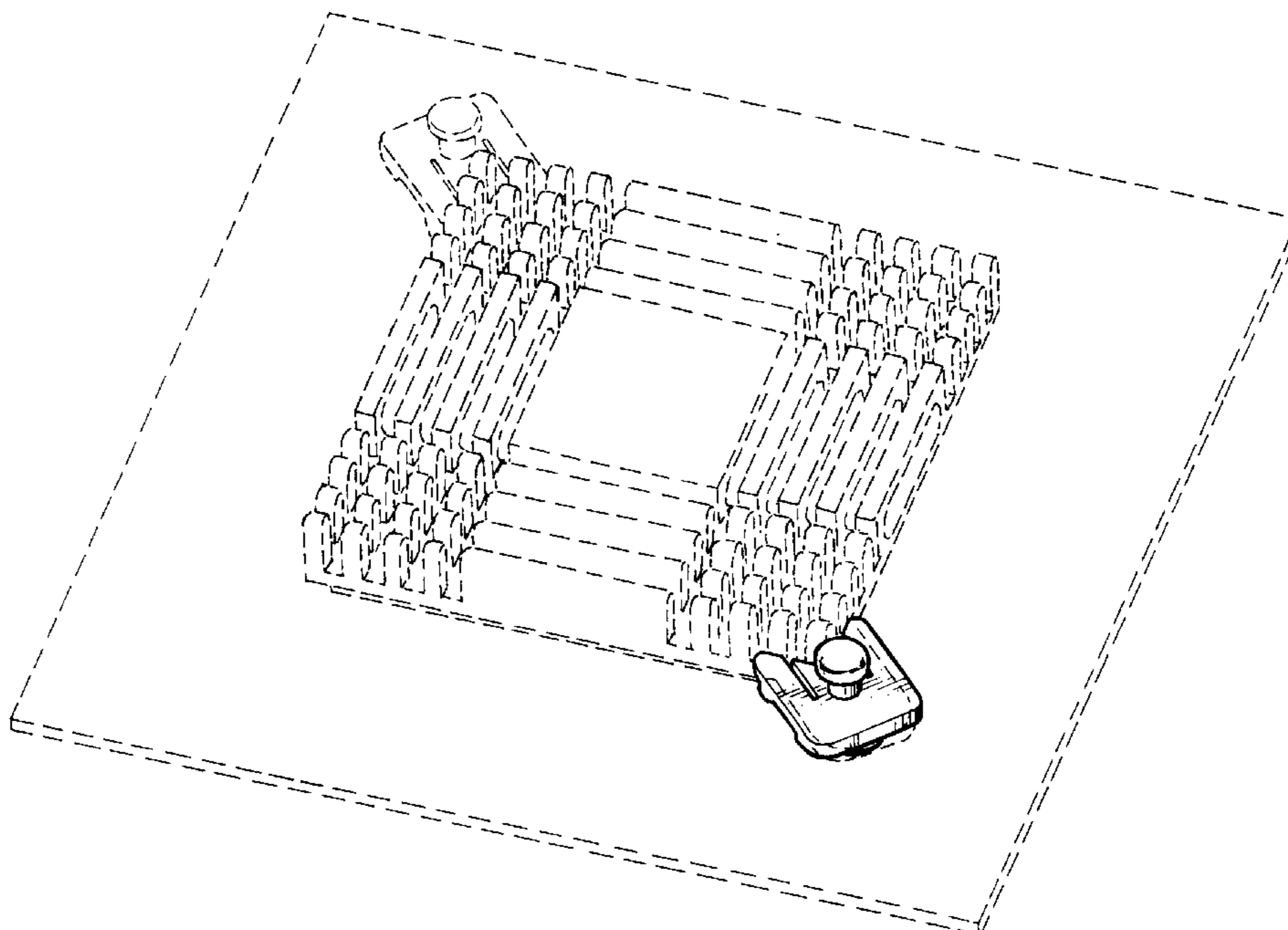
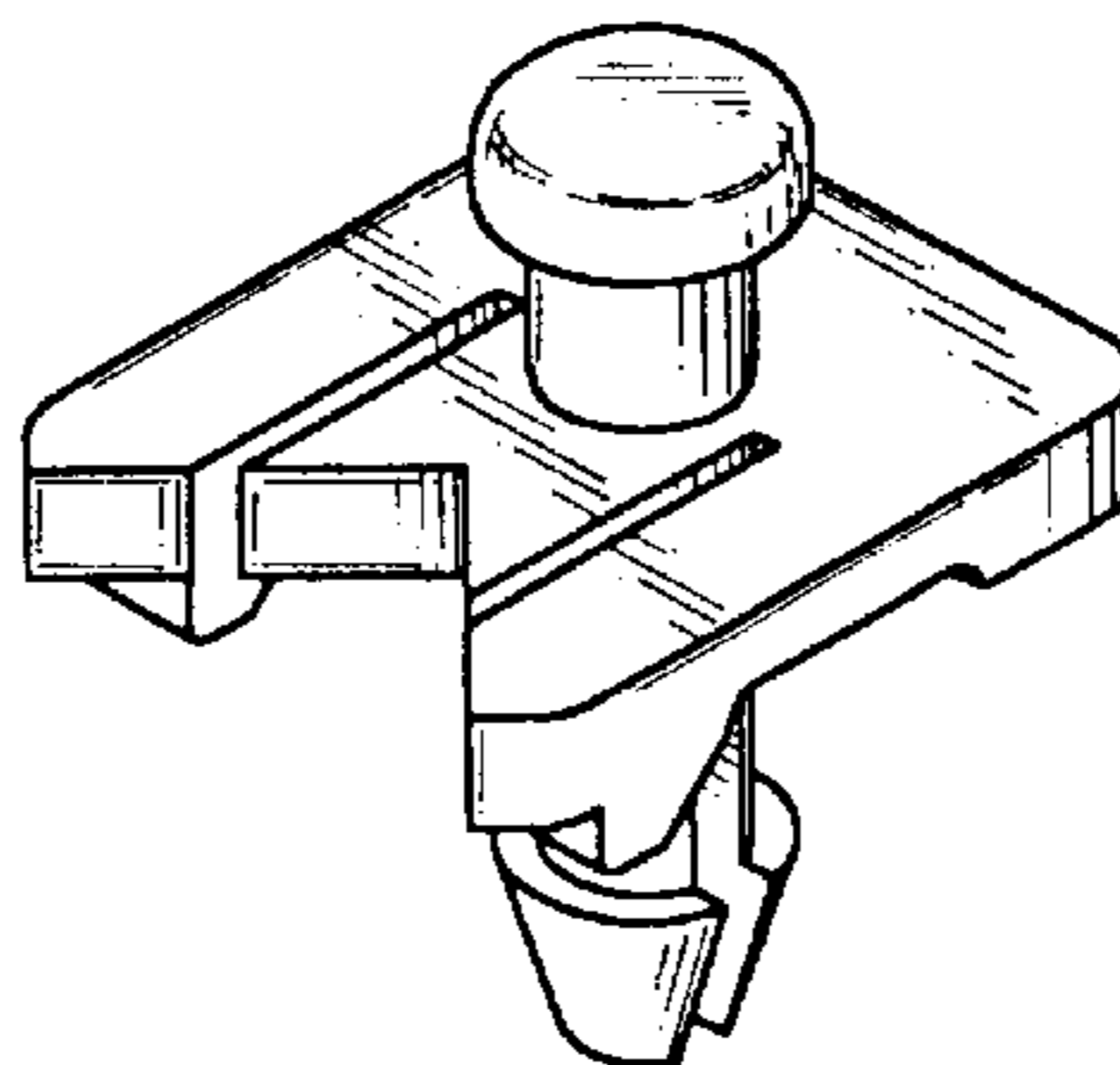
FIG. 1 is a perspective view of a locking button for a heatsink showing my new design;
FIG. 2 is a front view thereof;
FIG. 3 is a rear view thereof;
FIG. 4 is a left side view thereof;
FIG. 5 is a right side view thereof;
FIG. 6 is a top view thereof;
FIG. 7 is a bottom view thereof; and,
FIG. 8 is a view showing the application of the locking button, wherein the broken line portion is for illustrative purposes only and forms no part of the claimed design.

[56] **References Cited**

U.S. PATENT DOCUMENTS

D. 278,143	3/1985	Hill	D13/199
D. 359,726	6/1995	Umeya et al.	D13/199
5,083,696	1/1992	Kan et al.	361/760 X
5,754,407	5/1998	Kohno	361/760

1 Claim, 3 Drawing Sheets



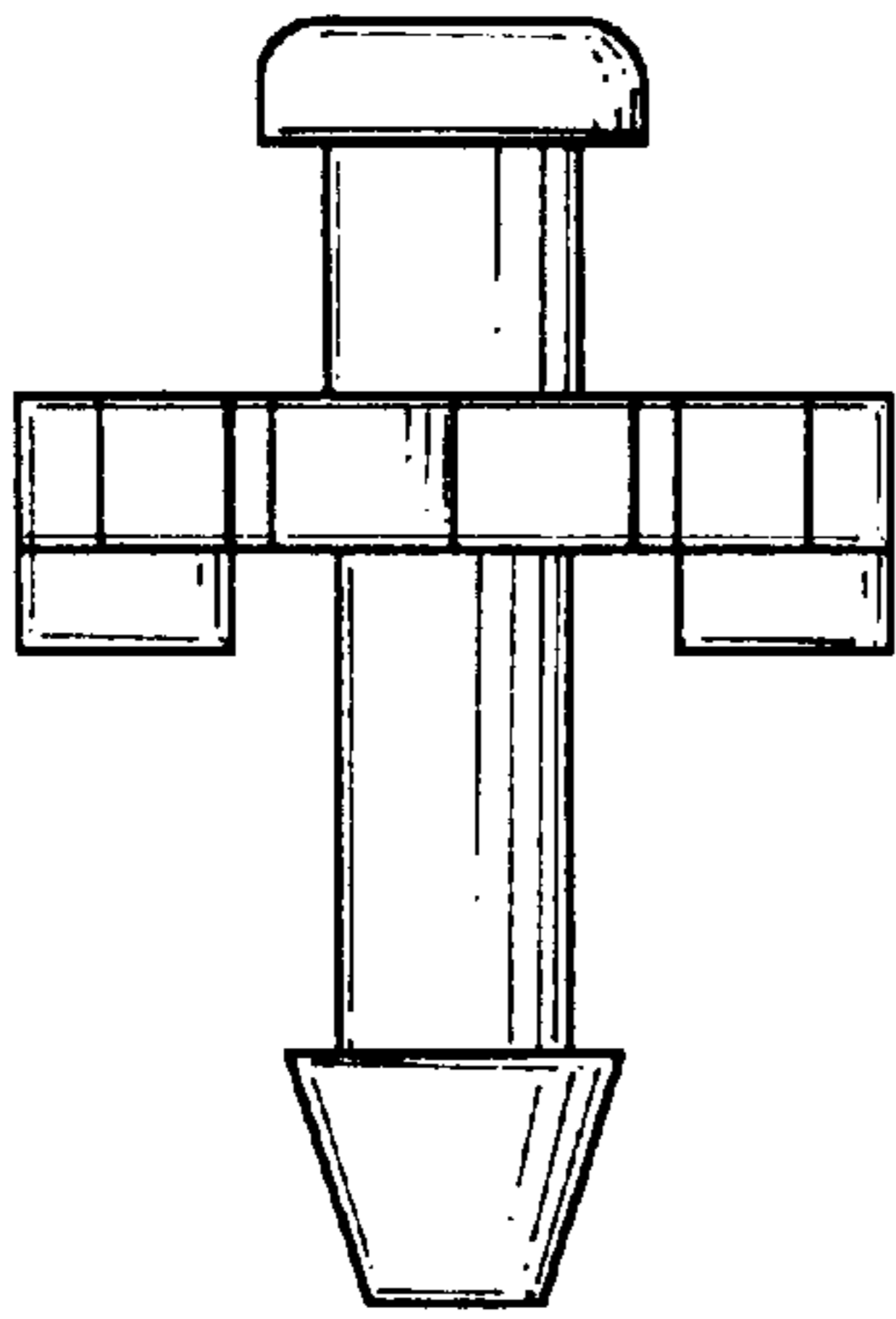


FIG. 2

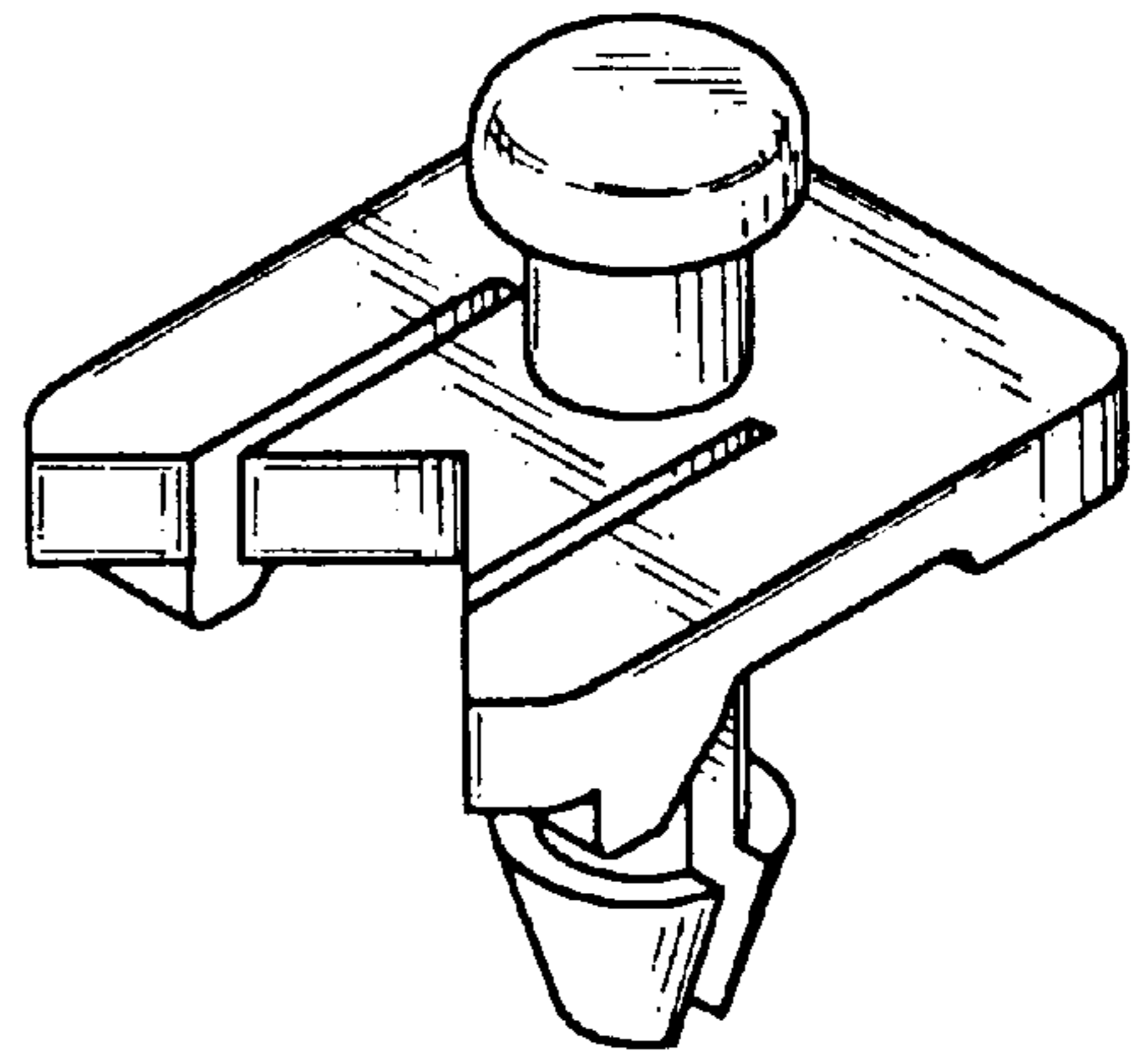


FIG. 1

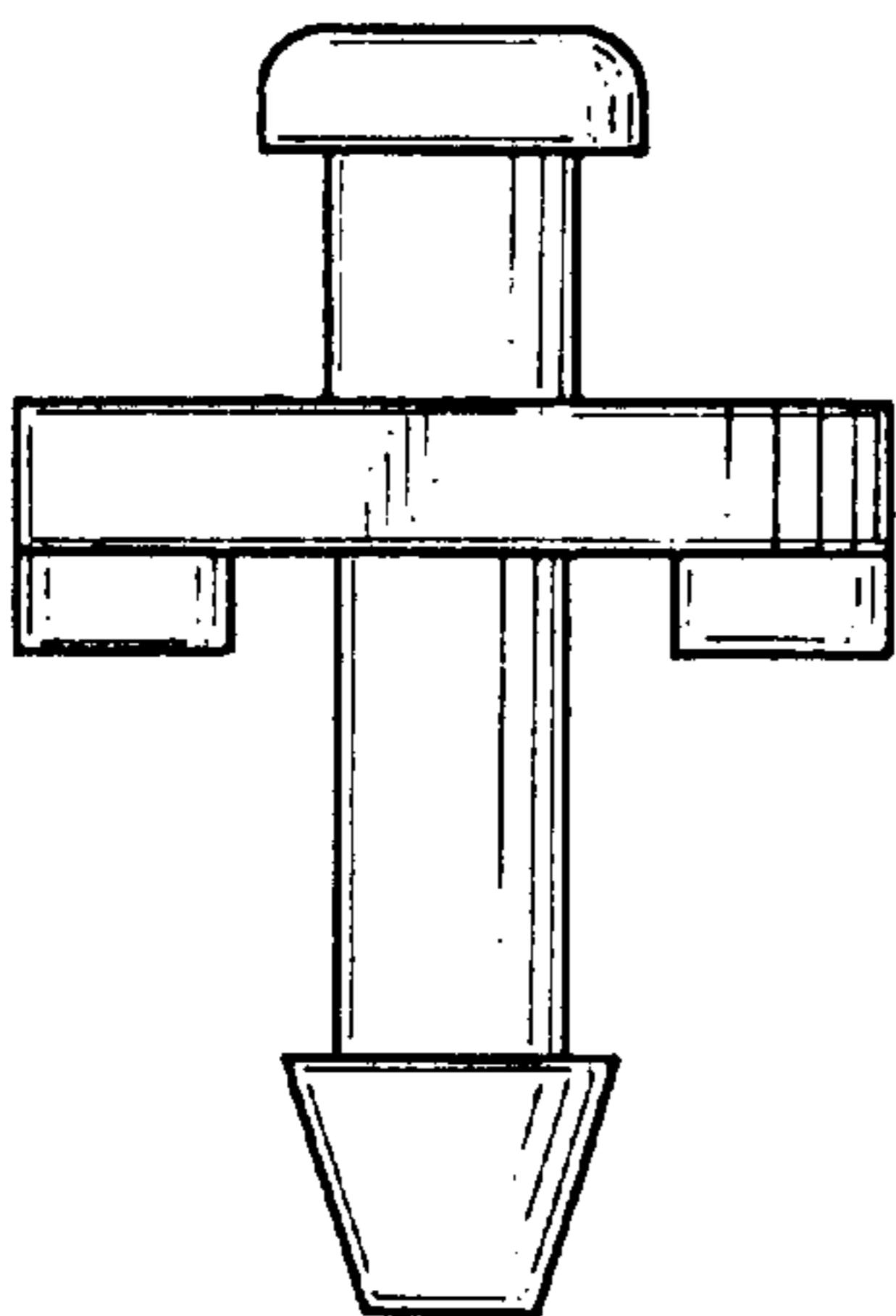


FIG. 3

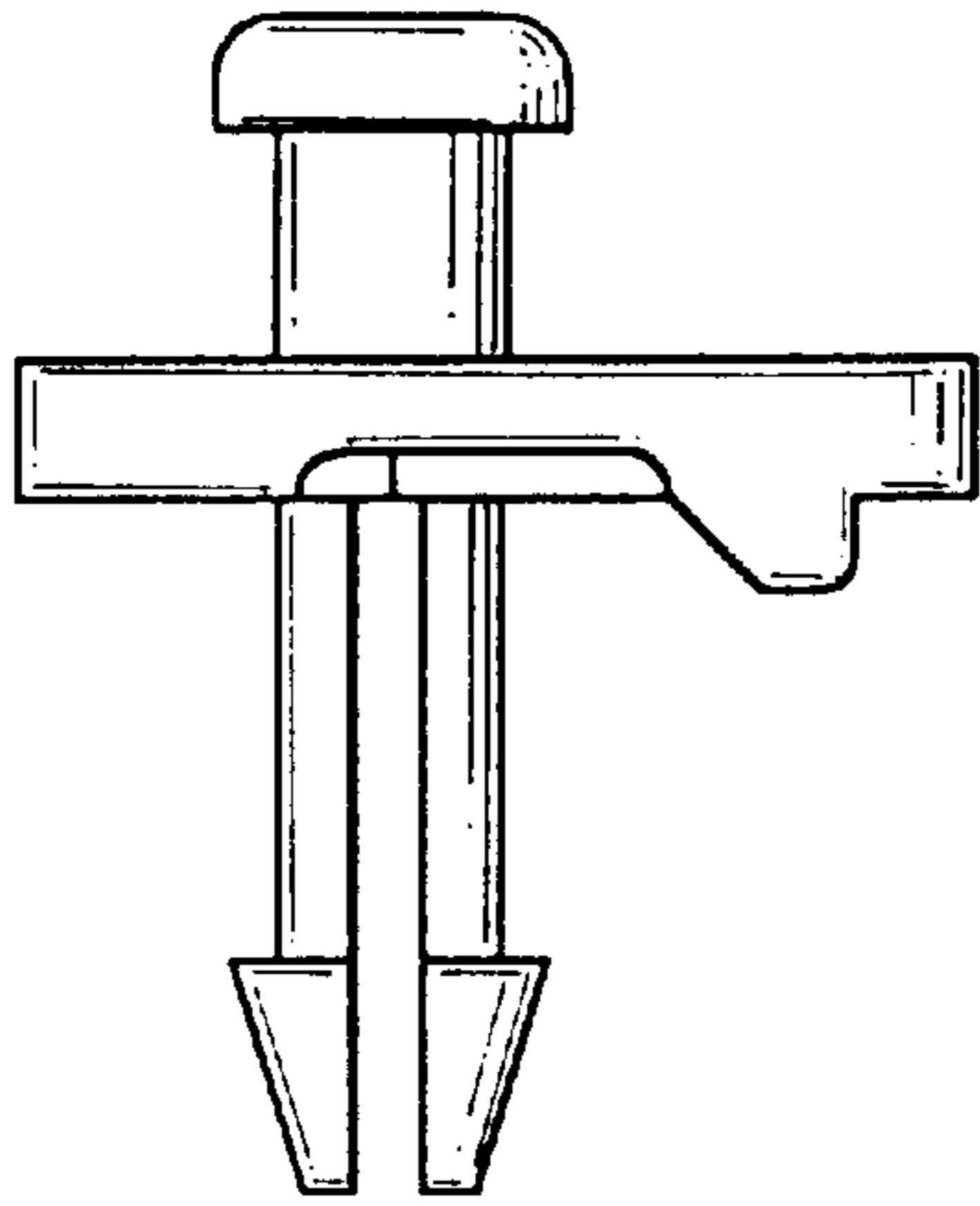


FIG. 4

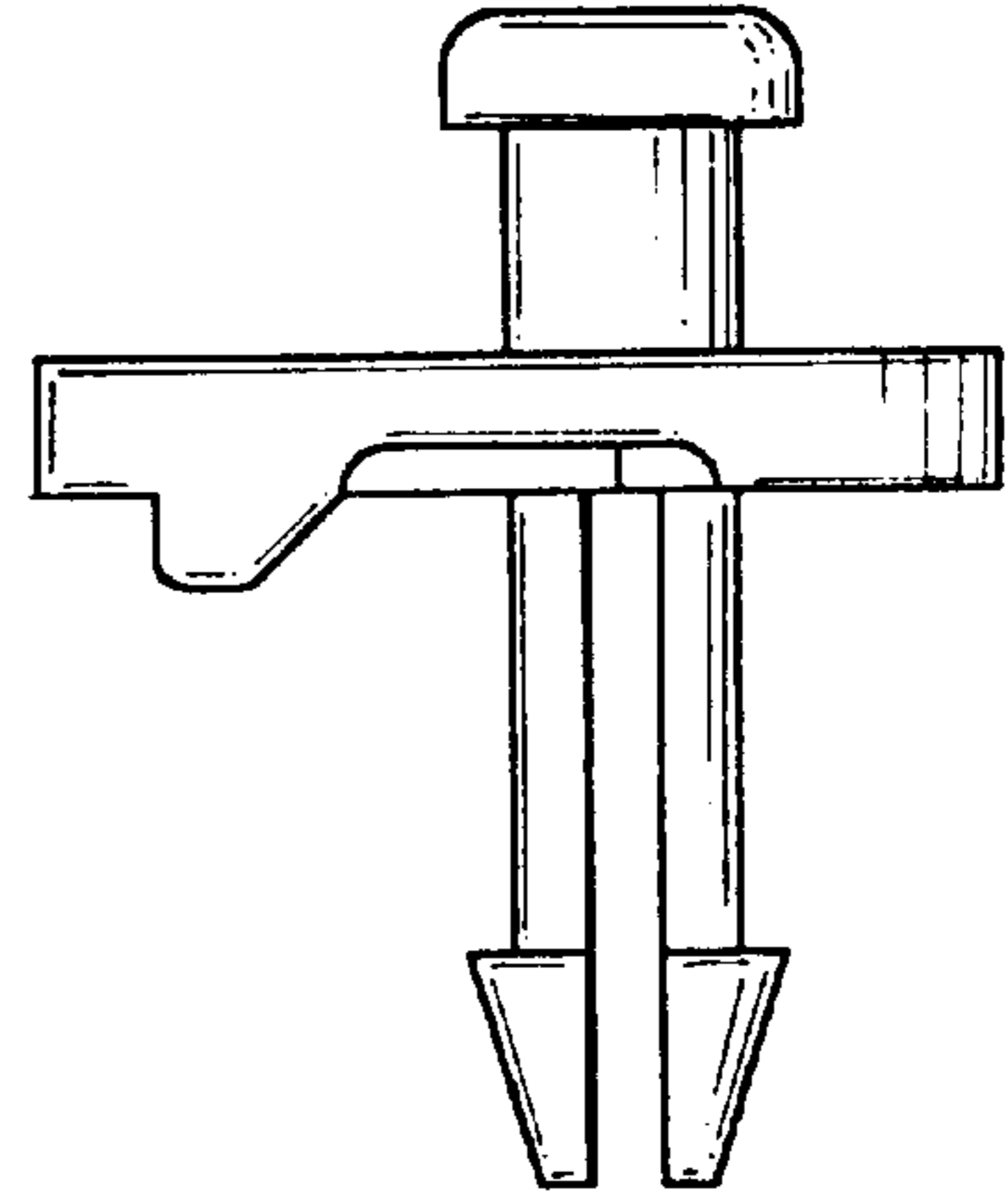


FIG. 5

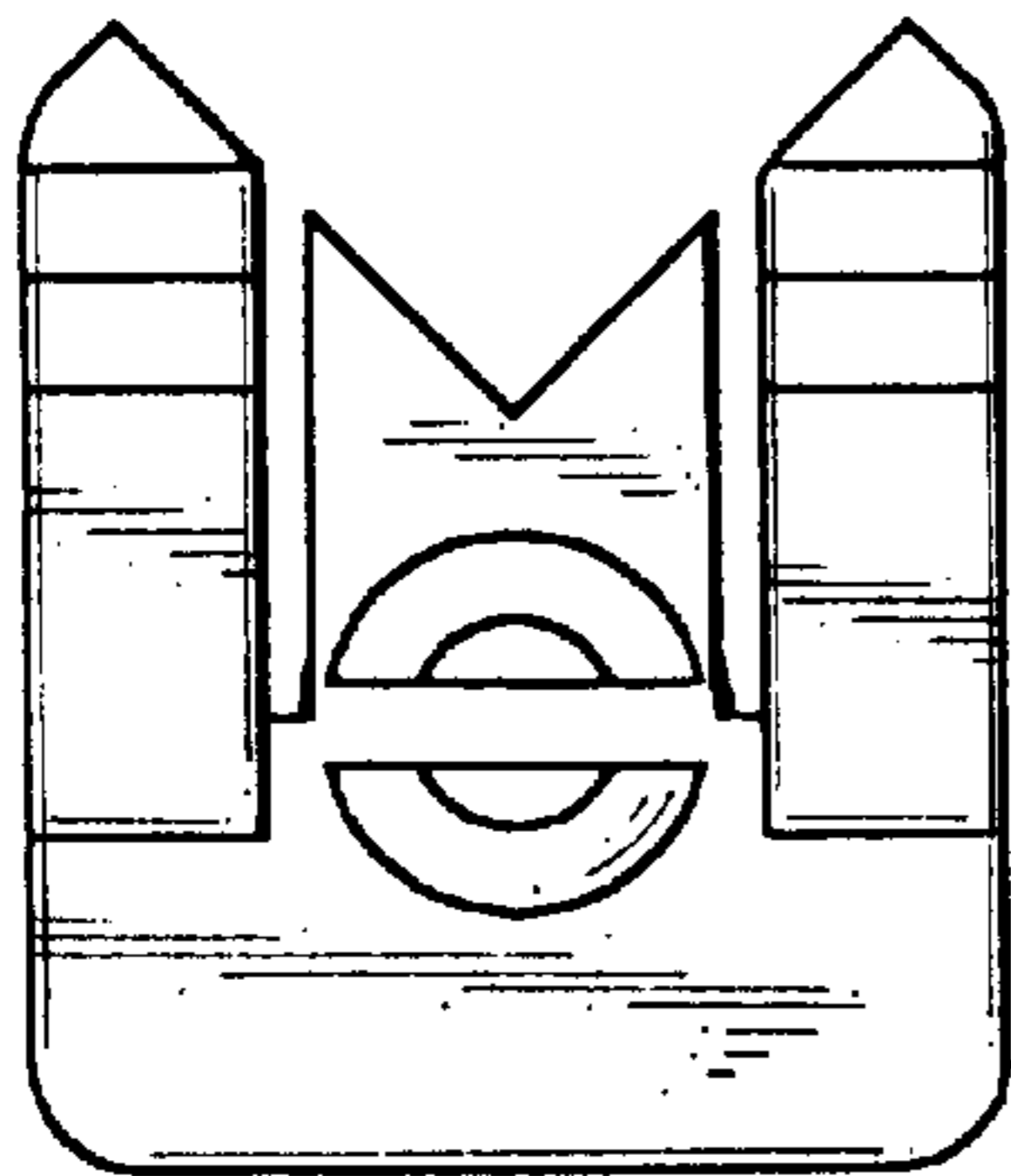


FIG. 7

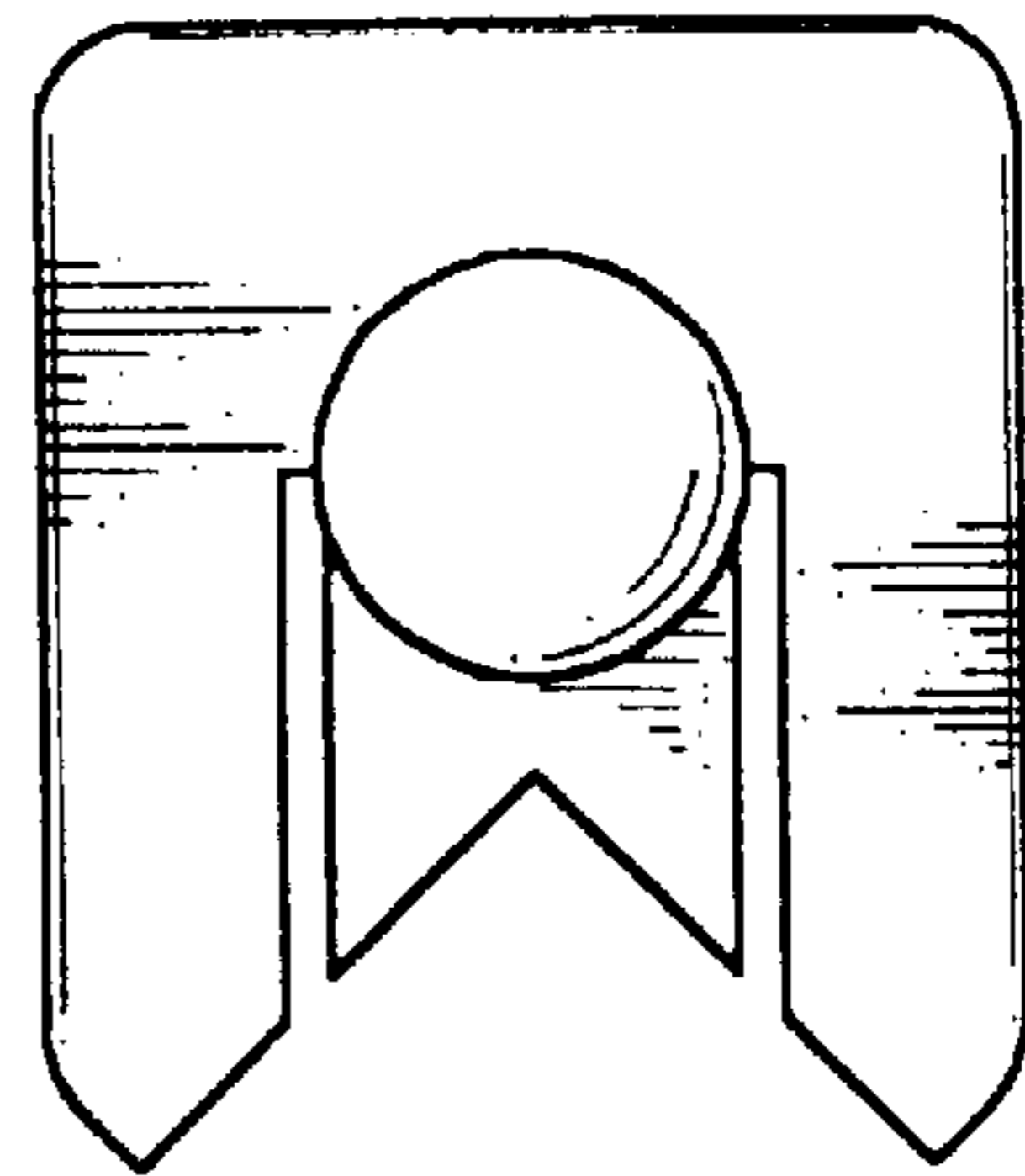


FIG. 6

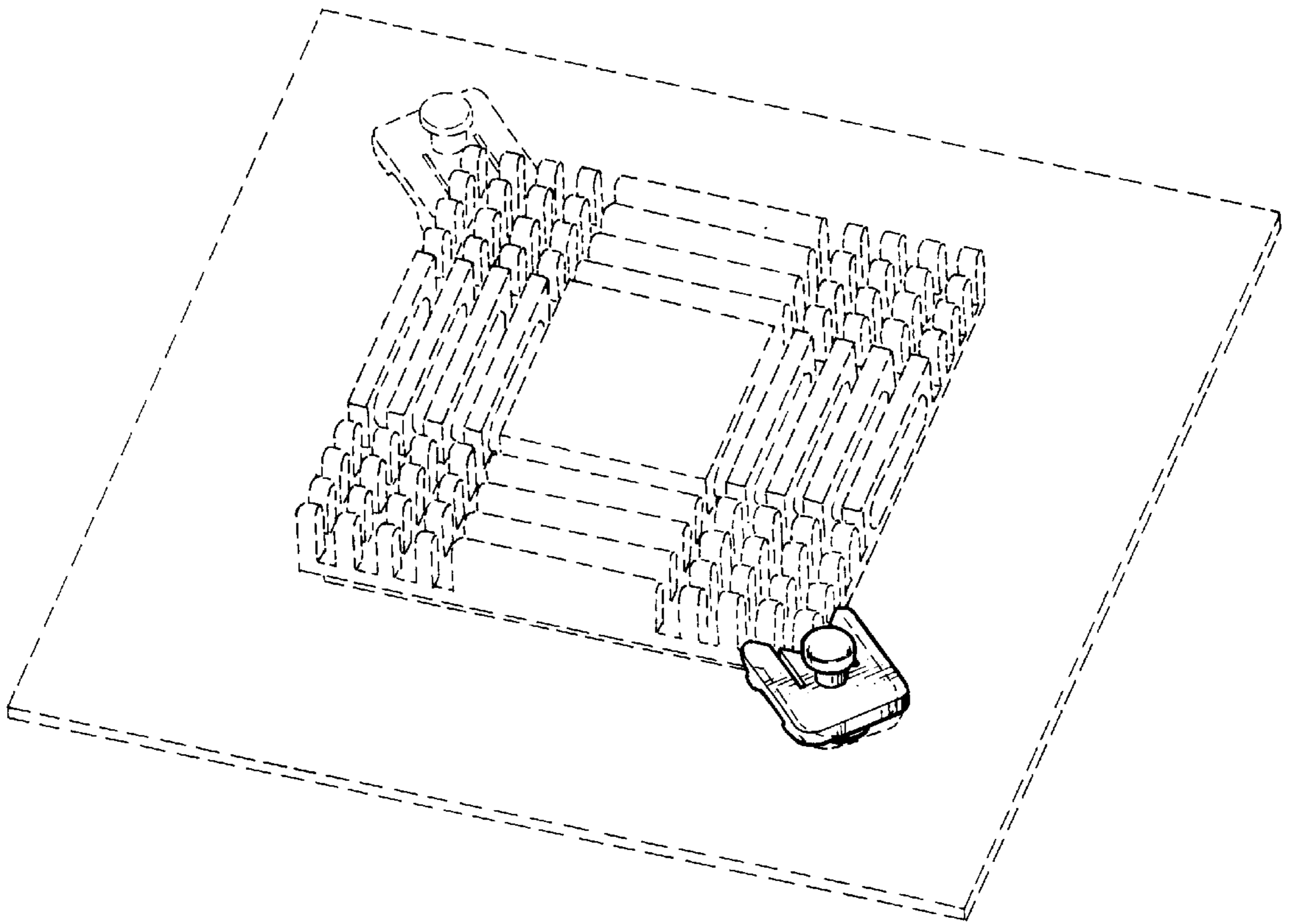


FIG. 8