



US00D427570S

United States Patent [19]

[11] Patent Number: **Des. 427,570**

Ishii

[45] Date of Patent: **** Jul. 4, 2000**

[54] **QUARTZ FIN HEAT RETAINING TUBE**

5,303,671 4/1994 Fondo et al. 118/725
5,482,558 1/1996 Watanabe et al. 118/724

[75] Inventor: **Katsutoshi Ishii**, Kanagawa, Japan

Primary Examiner—Lisa Lichtenstein
Attorney, Agent, or Firm—Ladas & Parry

[73] Assignee: **Tokyo Electron Limited**, Tokyo-To, Japan

[57] CLAIM

[**] Term: **14 Years**

I claim the ornamental design for quartz fin heat retaining tube, as shown and described.

[21] Appl. No.: **29/074,295**

DESCRIPTION

[22] Filed: **Jul. 24, 1997**

[30] Foreign Application Priority Data

Jan. 31, 1997 [JP] Japan 9-2646

[51] **LOC (7) Cl.** **13-03**

[52] **U.S. Cl.** **D13/182**

[58] **Field of Search** D23/340; 392/416,
392/418; 118/500, 724, 725; D13/182, 179;
D15/144, 144.1, 199

FIG. 1: a perspective view of a quartz fin heat retaining tube.
FIG. 2: a top plan view thereof.

FIG. 3: a front elevational view thereof, the rear elevational view being a mirror image of the front view.

FIG. 4: a right side view thereof.

FIG. 5: a bottom plan view thereof.

FIG. 6: a left side view thereof.

FIG. 7: a cross sectional view thereof taken along line 7—7 in FIG. 2.

FIG. 8: a cross sectional view thereof taken along line 8—8 in FIG. 3; and,

FIG. 9: a cross sectional view thereof taken along line 9—9 in FIG. 3.

[56] References Cited

U.S. PATENT DOCUMENTS

D. 361,752 8/1995 Yamaga D13/182
D. 380,454 7/1997 Iwai et al. D13/182

1 Claim, 3 Drawing Sheets

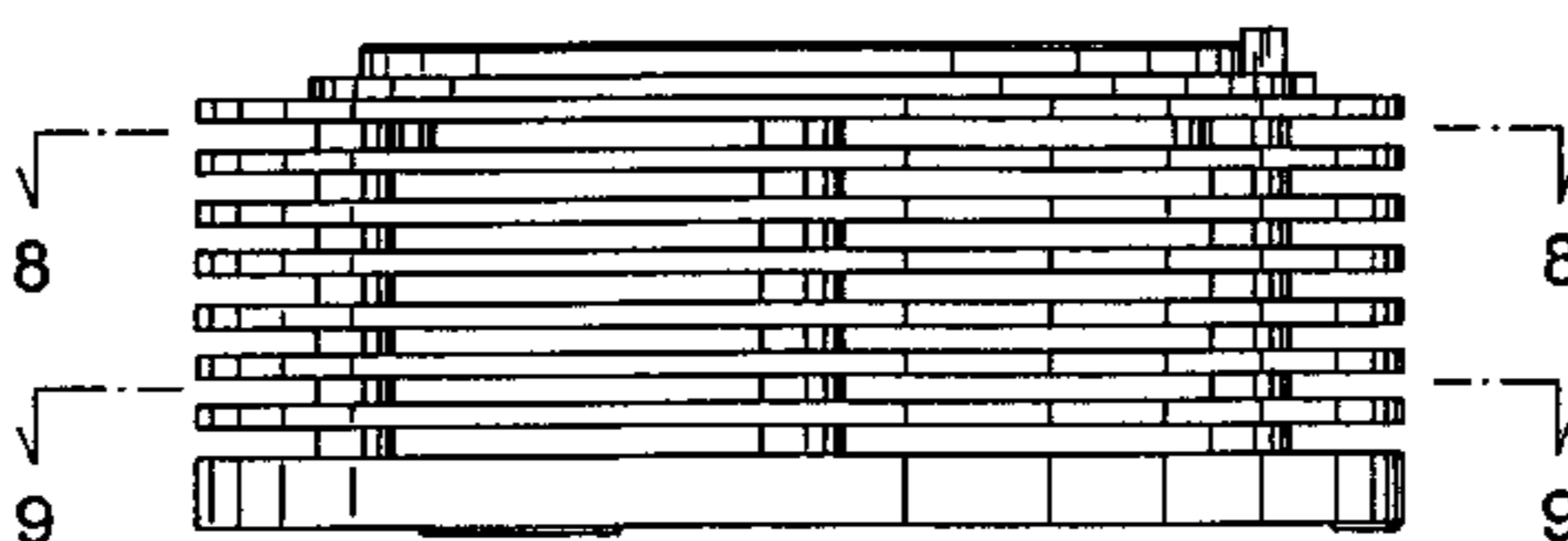
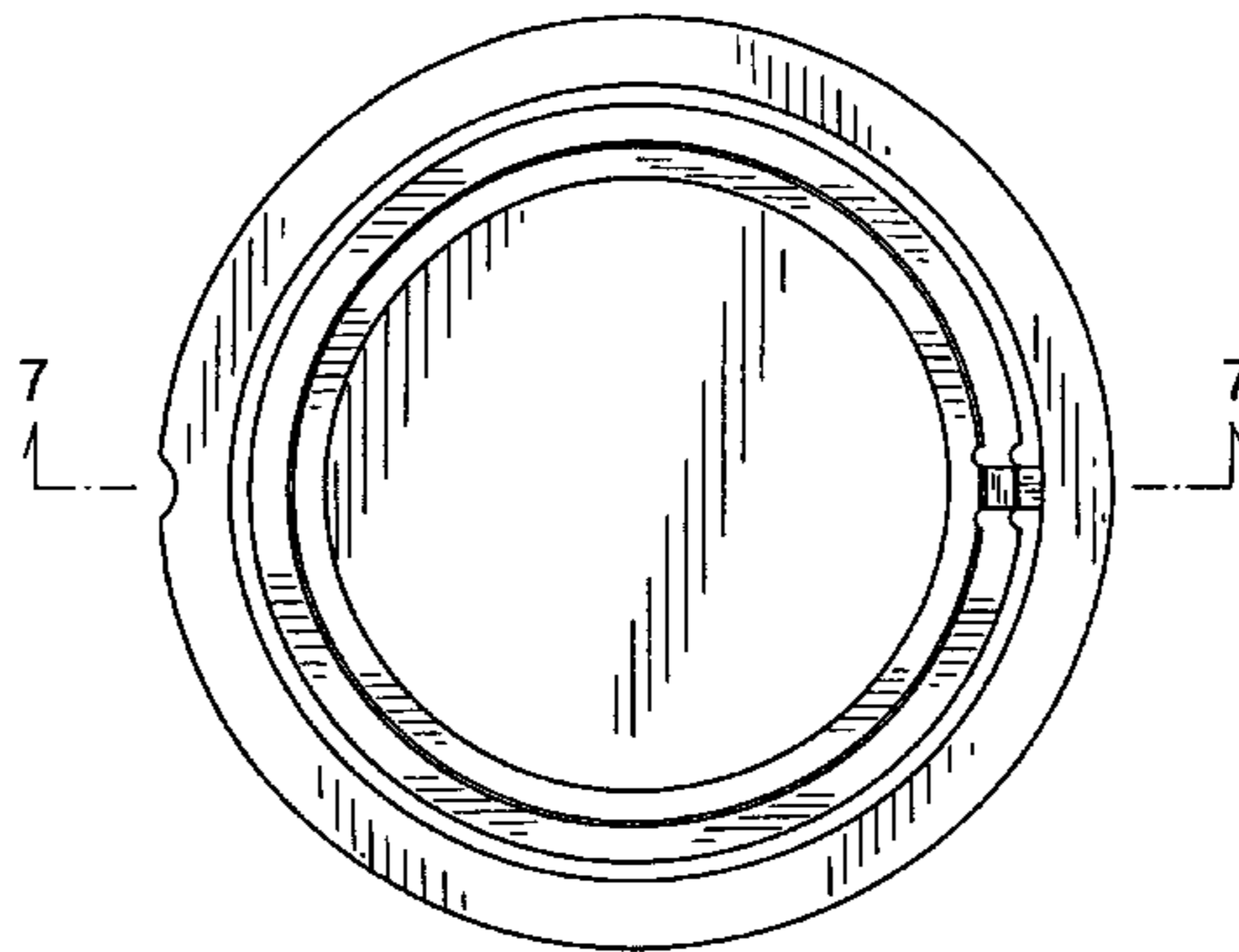
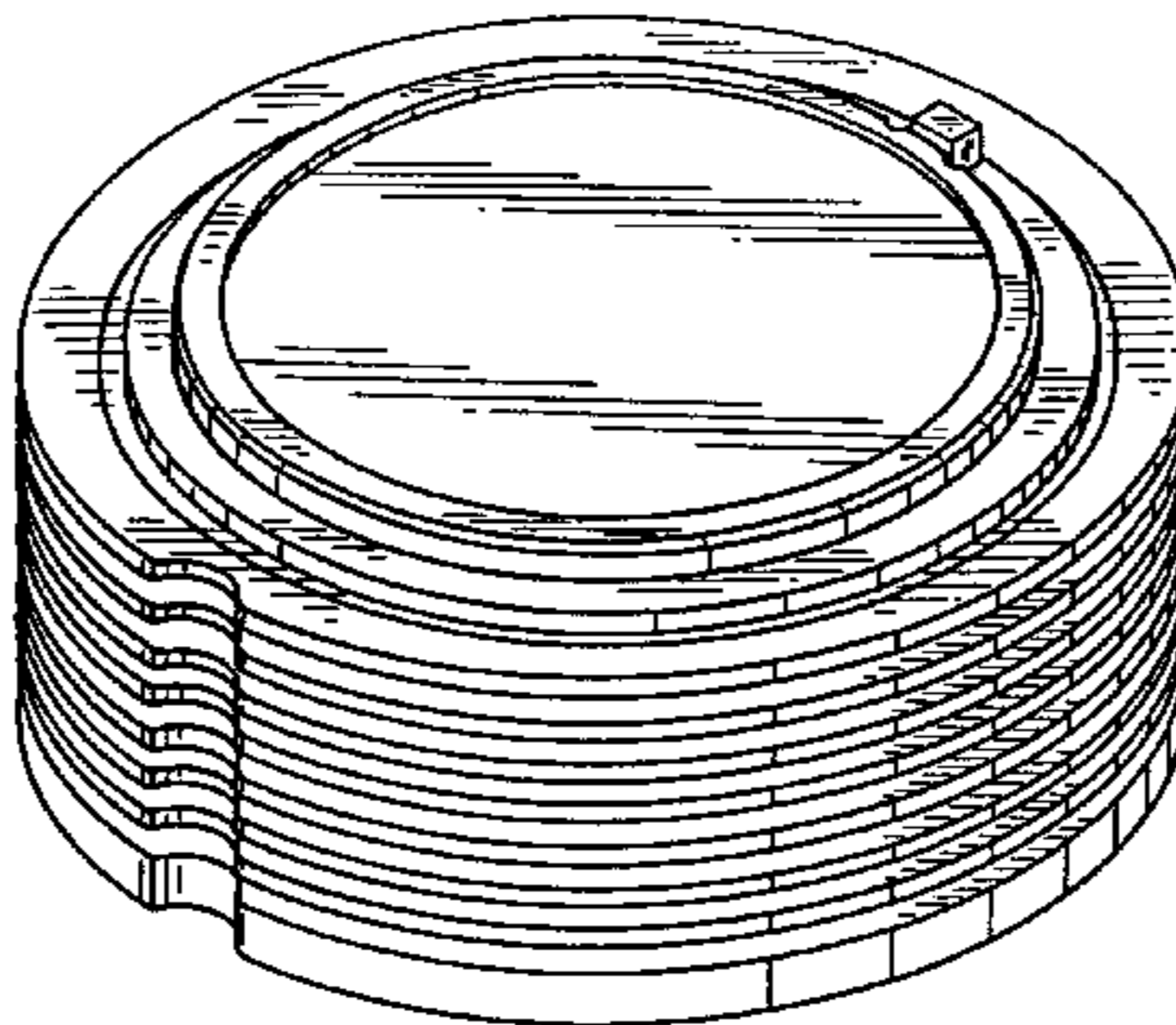


FIG. 1

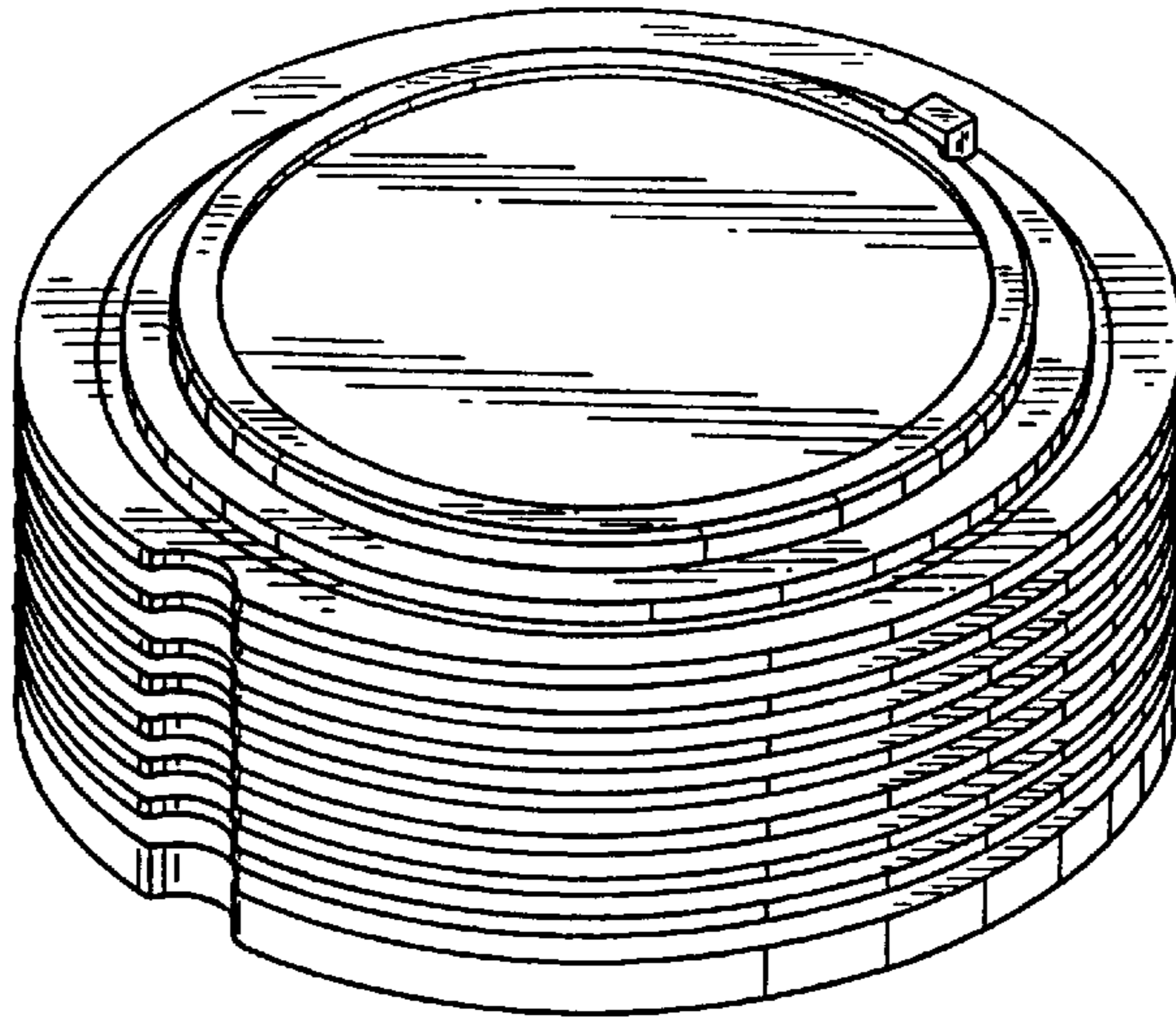


FIG. 2

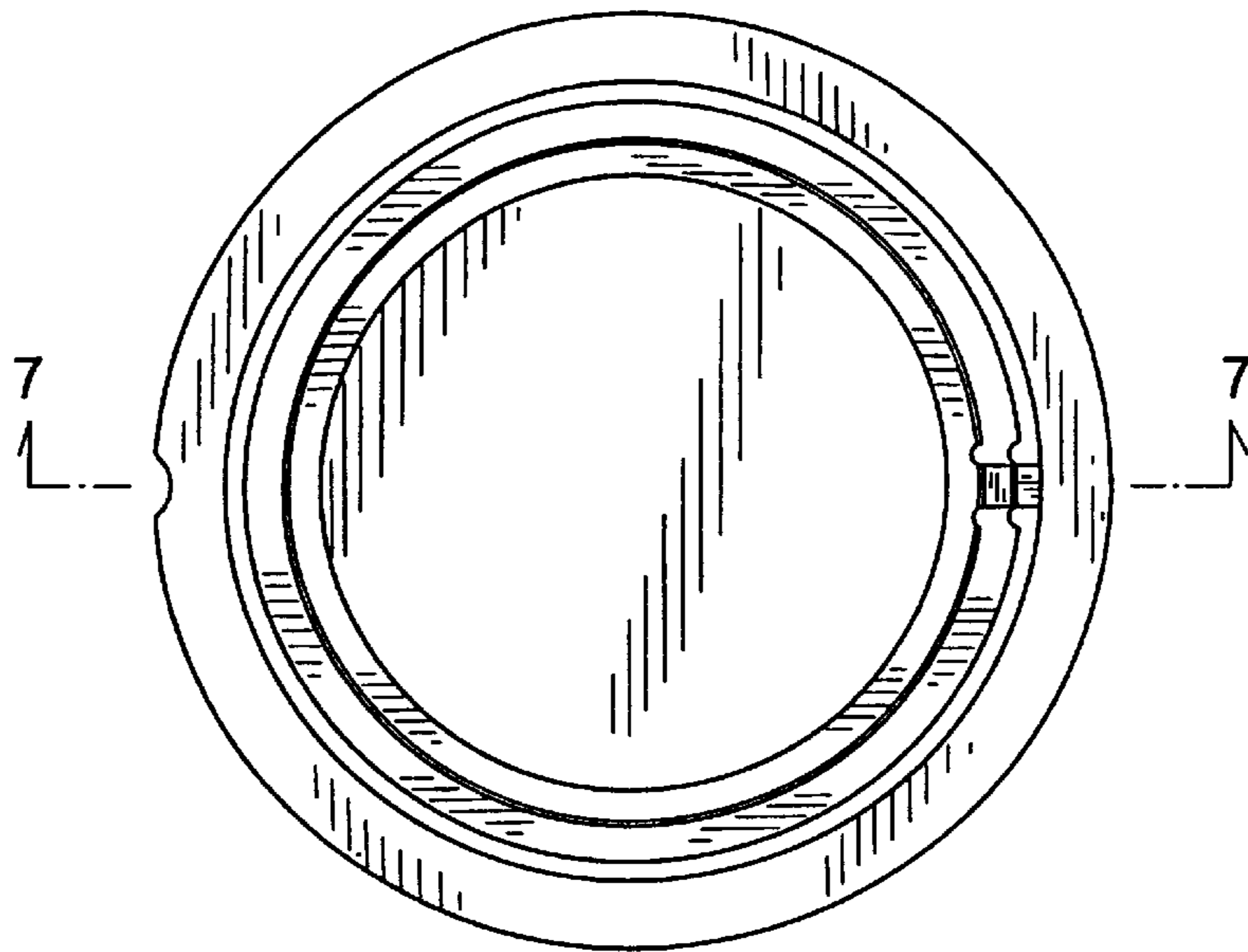


FIG. 3

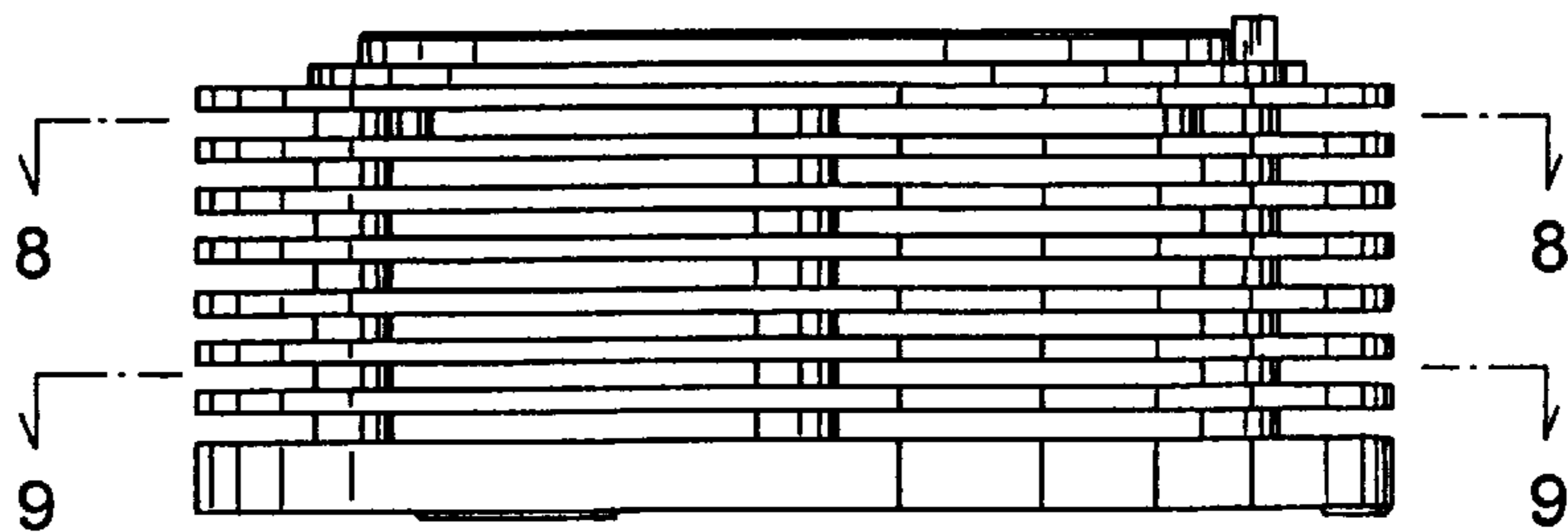


FIG. 4

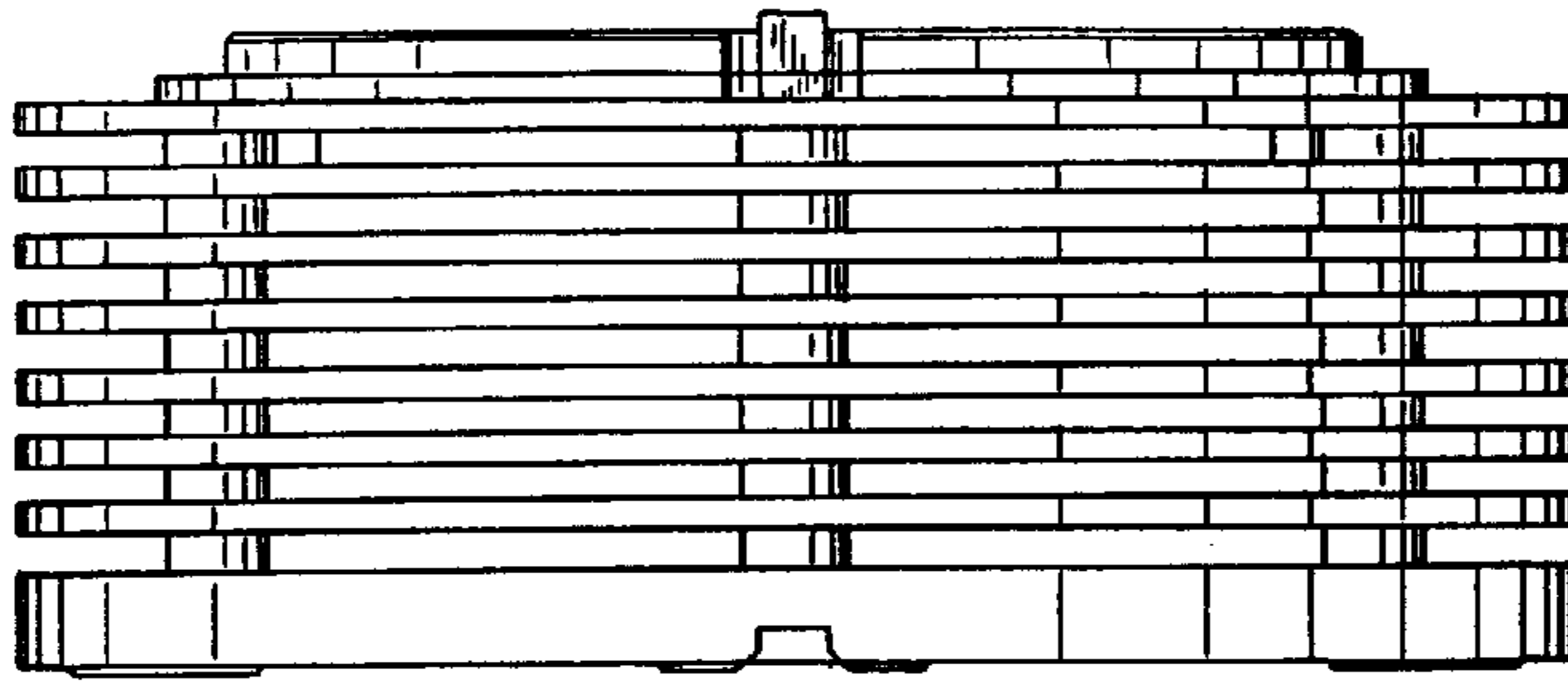


FIG. 5

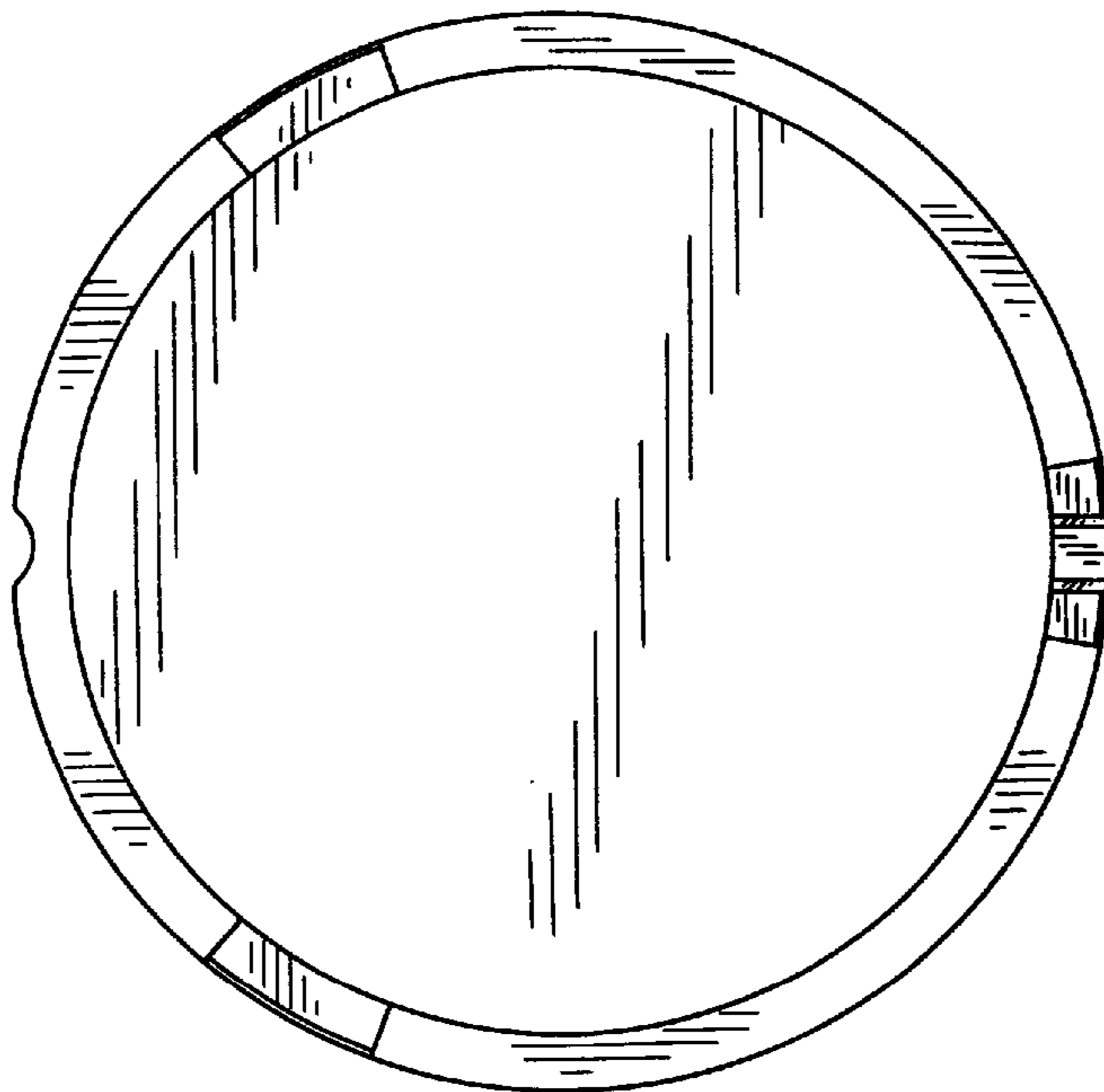


FIG. 6

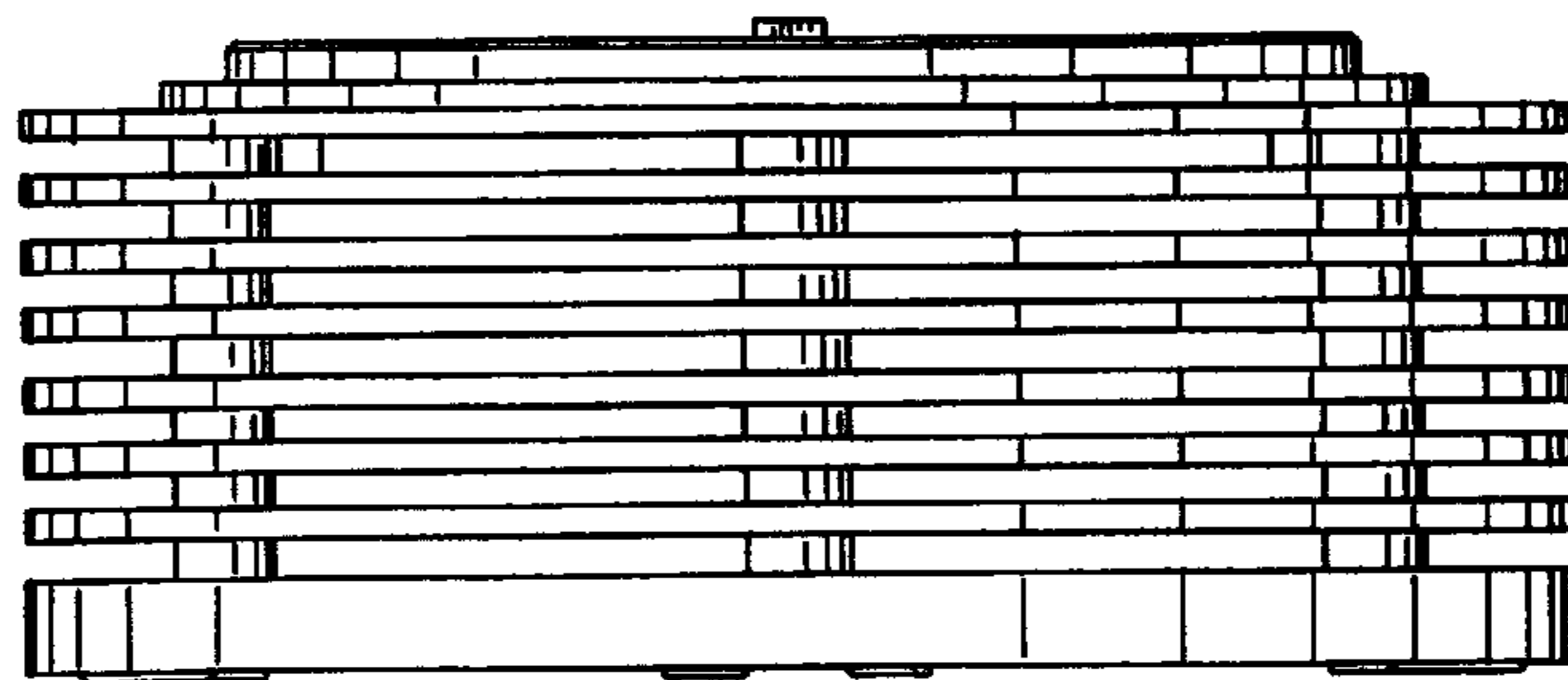


FIG. 7

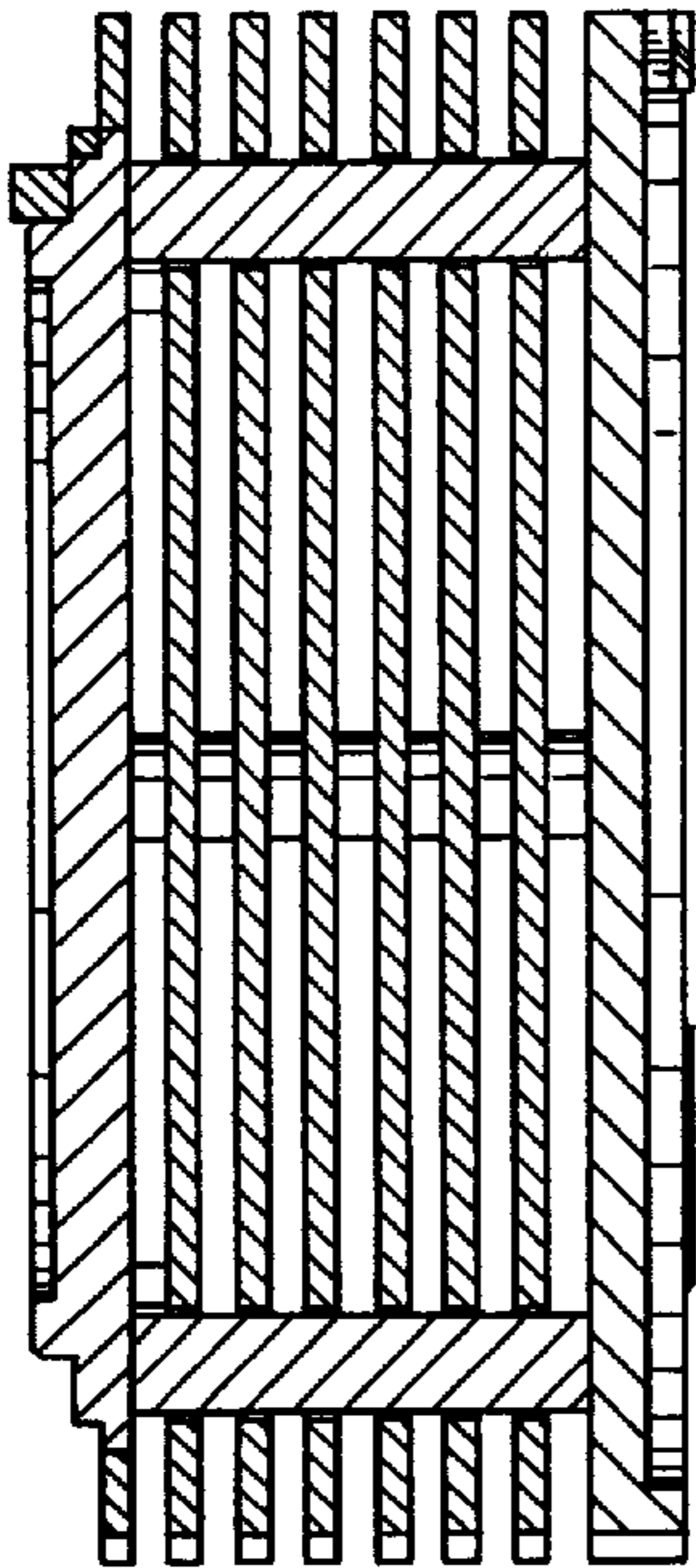


FIG. 9

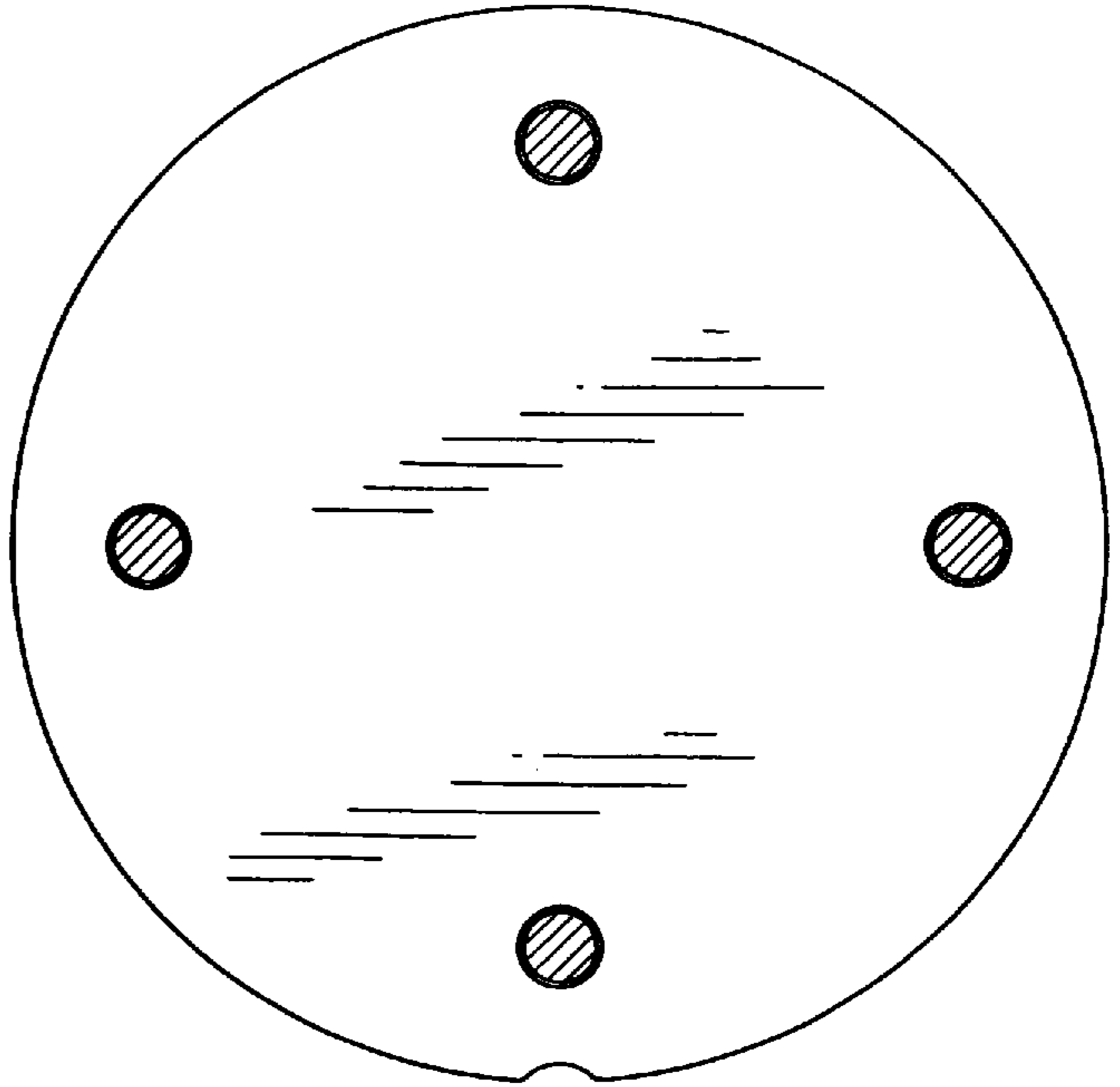


FIG. 8

