



US00D427569S

# United States Patent [19]

Douglass et al.

[11] Patent Number: Des. 427,569

[45] Date of Patent: \*\* Jul. 4, 2000

[54] TOUCH SAFE FUSE MODULE

[75] Inventors: Robert Stephen Douglass, Wildwood, Mo.; Matthew Rain Darr, Godfrey, Ill.

[73] Assignee: Cooper Technologies Company, Houston, Tex.

[\*\*] Term: 14 Years

[21] Appl. No.: 29/109,618

[22] Filed: Aug. 18, 1999

### Related U.S. Application Data

[63] Continuation-in-part of application No. 09/187,063, Nov. 6, 1998, abandoned, which is a continuation of application No. 08/784,389, Jan. 17, 1997, Pat. No. 5,841,337.

[51] LOC (7) Cl. .... 13-03

[52] U.S. Cl. .... D13/160; D13/178

[58] Field of Search ..... D13/158, 160, D13/173, 178; 337/198, 159, 161, 162, 197, 194, 183, 195, 265, 263

### [56] References Cited

#### U.S. PATENT DOCUMENTS

D. 403,307	12/1998	Arzoumanian	.....	D13/178
D. 414,749	10/1999	Carr	.....	D13/178
2,091,204	8/1937	Horn	.....	337/195 X
3,202,788	8/1965	George	.....	337/194
3,229,066	1/1966	Rowe	.....	337/197 X

4,308,516	12/1981	Shimada et al.	.....	337/265 X
4,751,489	6/1988	Spannhorst	.....	337/263 X
5,002,505	3/1991	Jones et al.	.....	337/263 X

Primary Examiner—Brian N. Vinson  
Attorney, Agent, or Firm—Armstrong Teasdale LLP

### [57] CLAIM

We claim the ornamental design for a touch safe fuse module, as shown and described.

### DESCRIPTION

FIG. 1 is a perspective view of a touch safe fuse module in accordance with one embodiment of the present invention and positioned for insertion into a touch safe fuse module holder.

FIG. 2 is a perspective view similar to FIG. 1 but showing the touch safe fuse module connected to a touch safe fuse module.

FIG. 3 is a side view of the touch safe fuse module shown in FIG. 1.

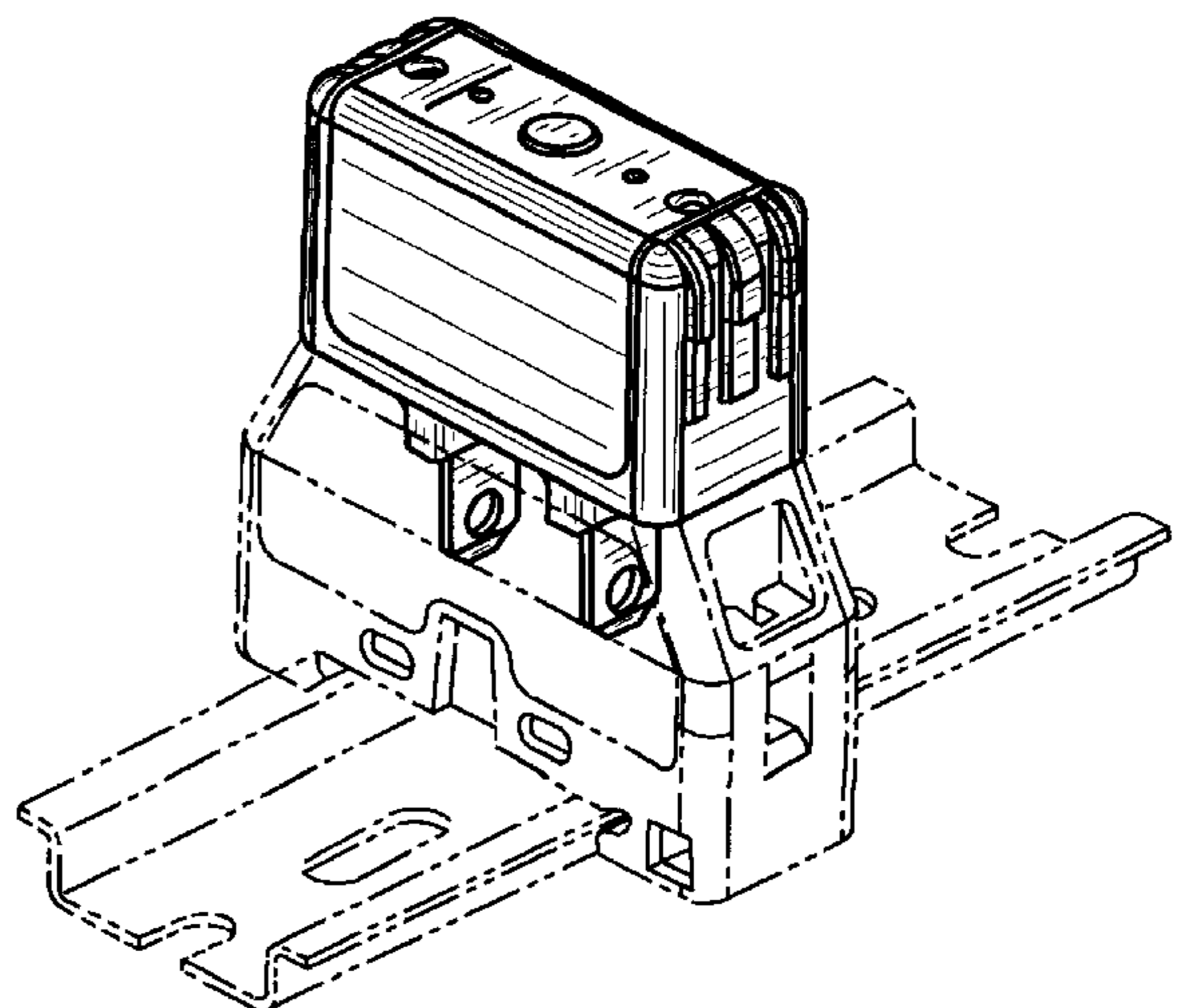
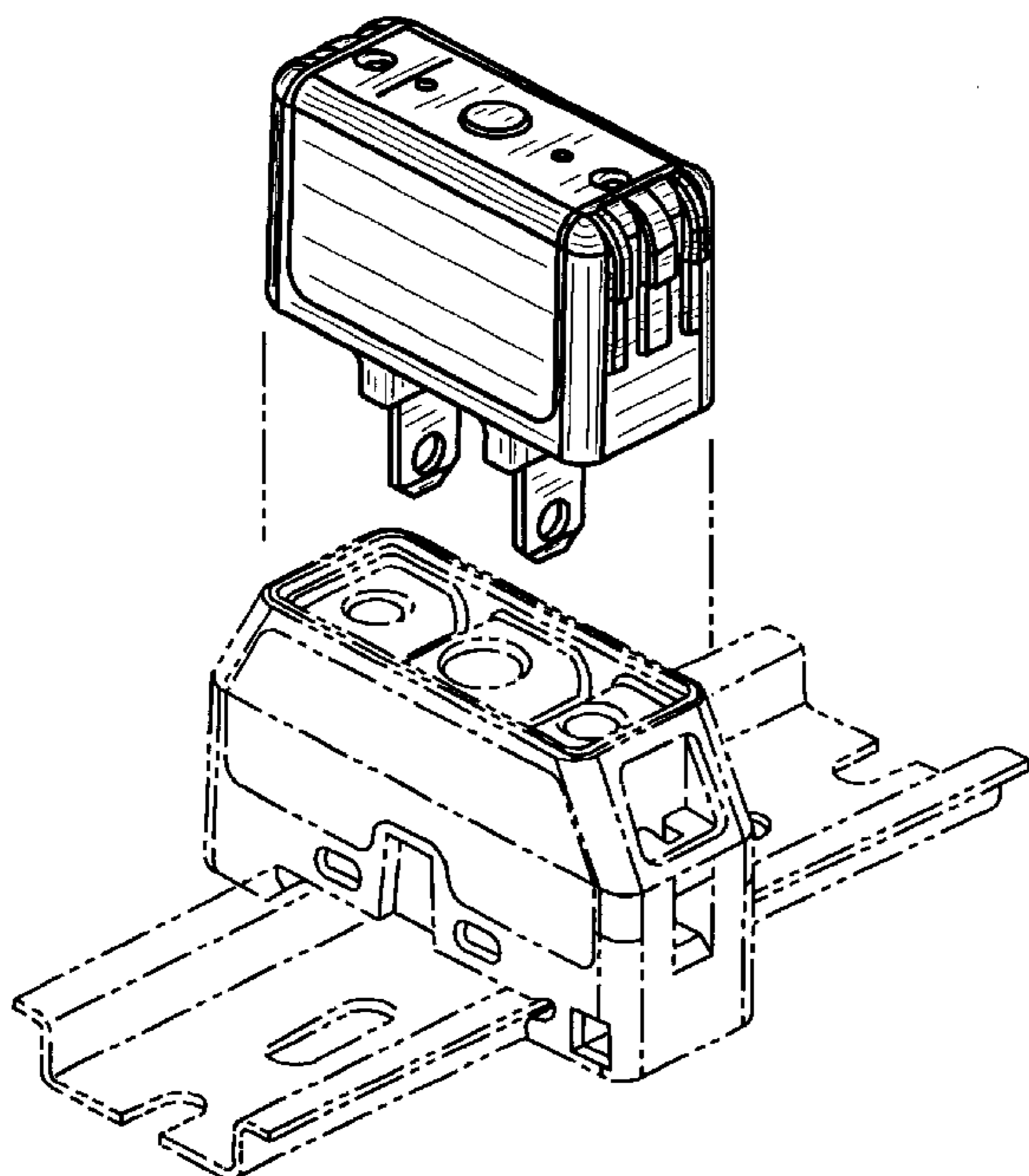
FIG. 4 is a front view of the touch safe fuse module shown in FIG. 1.

FIG. 5 is a top view of the touch safe fuse module shown in FIG. 1; and,

FIG. 6 is a bottom view of the touch safe fuse module holder shown in FIG. 1.

The broken-line disclosure of the module holder and rail in the views is for illustrative purposes only and forms no part of the claimed design.

1 Claim, 2 Drawing Sheets



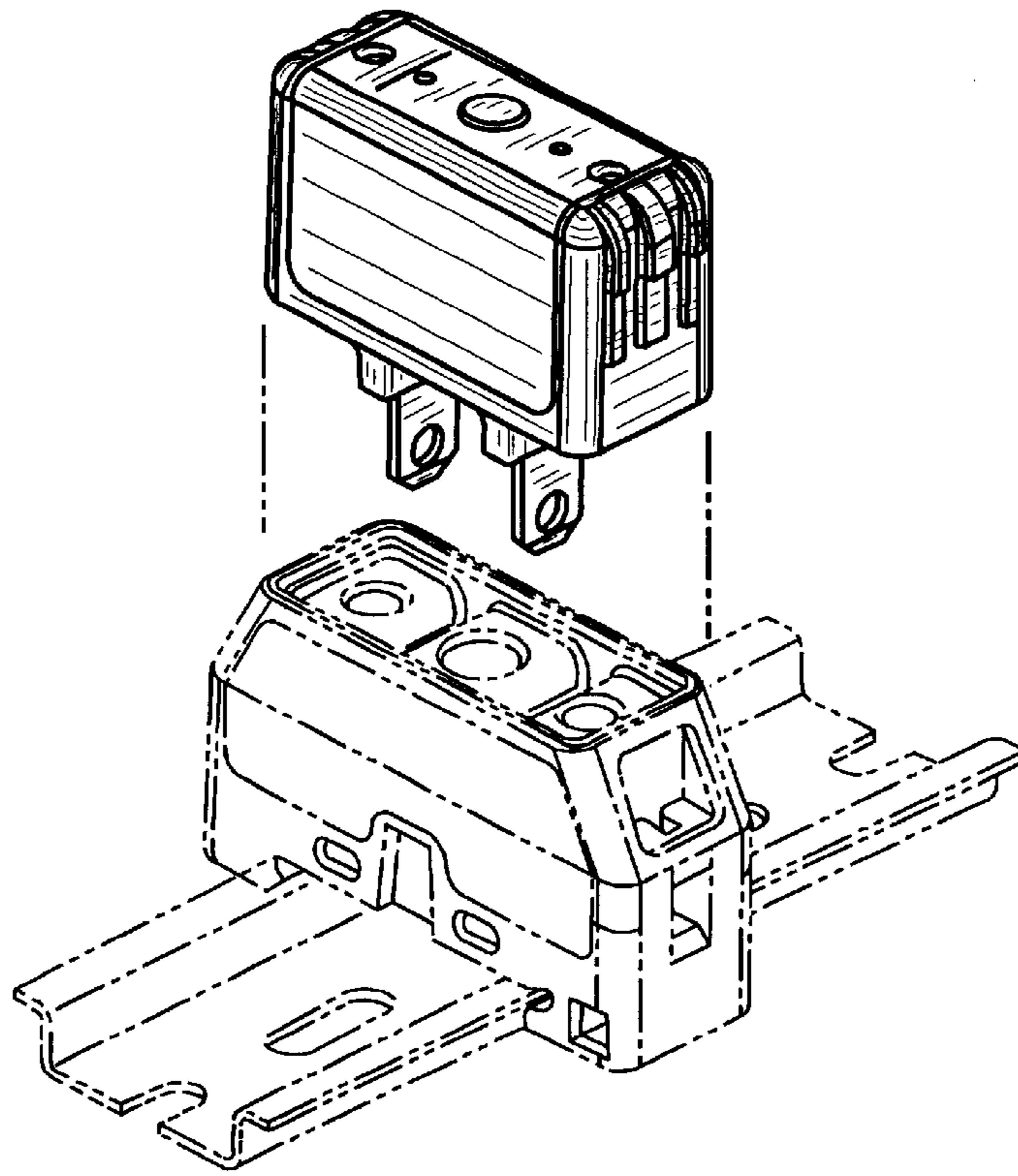


FIG. 1

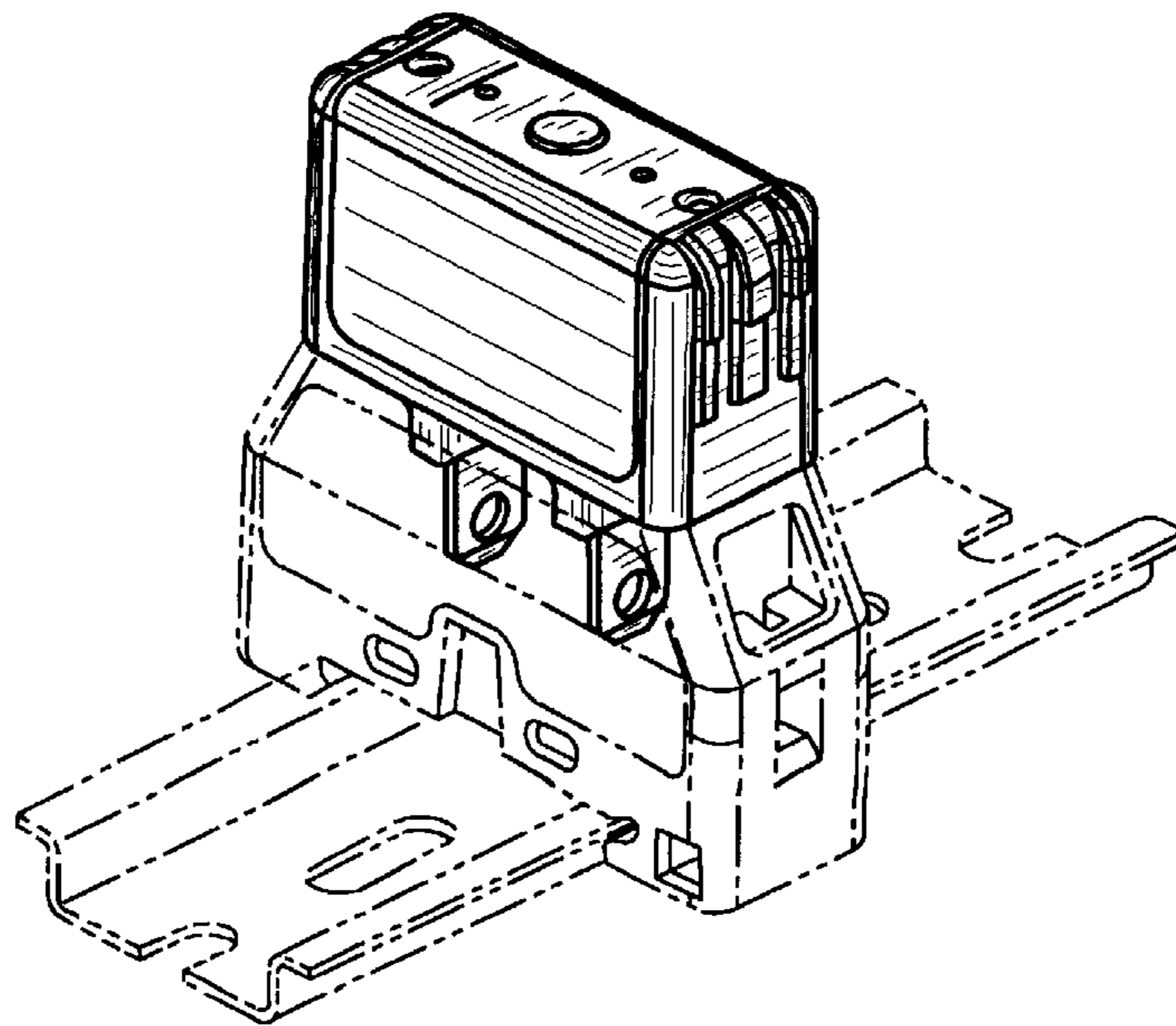


FIG. 2

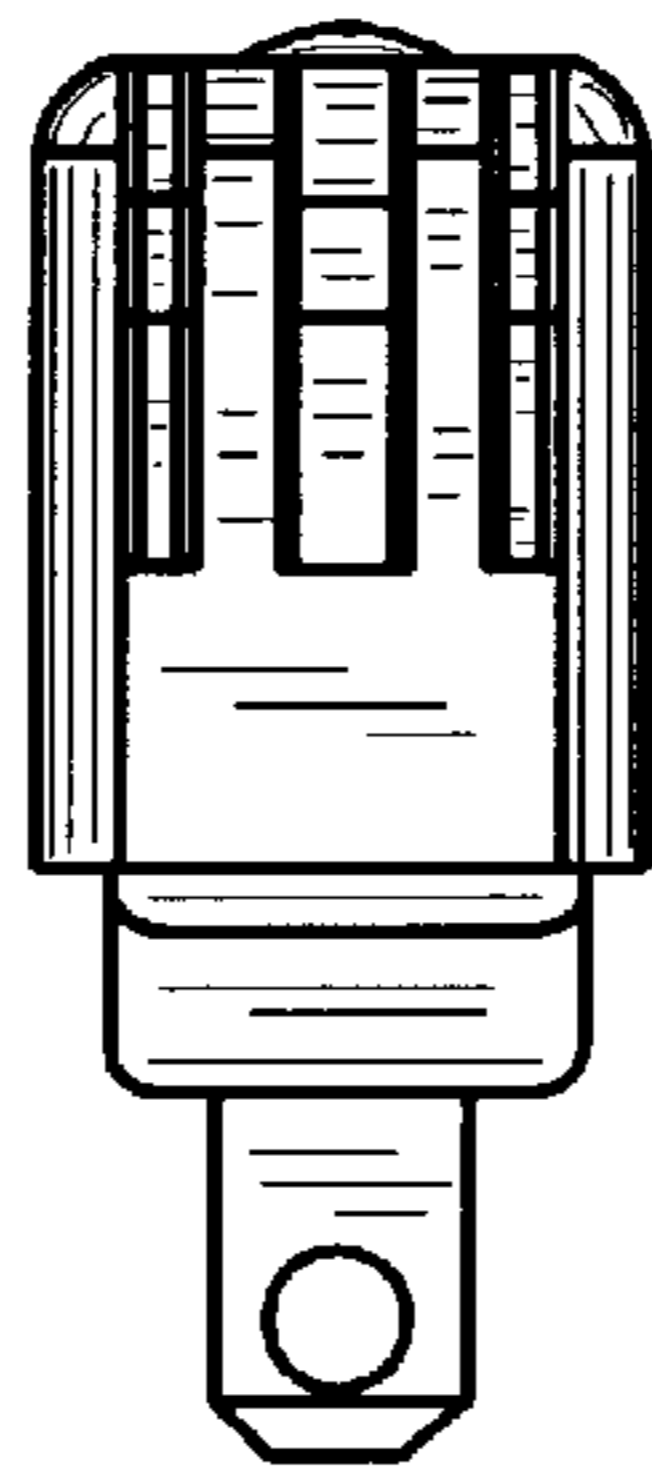


FIG. 3

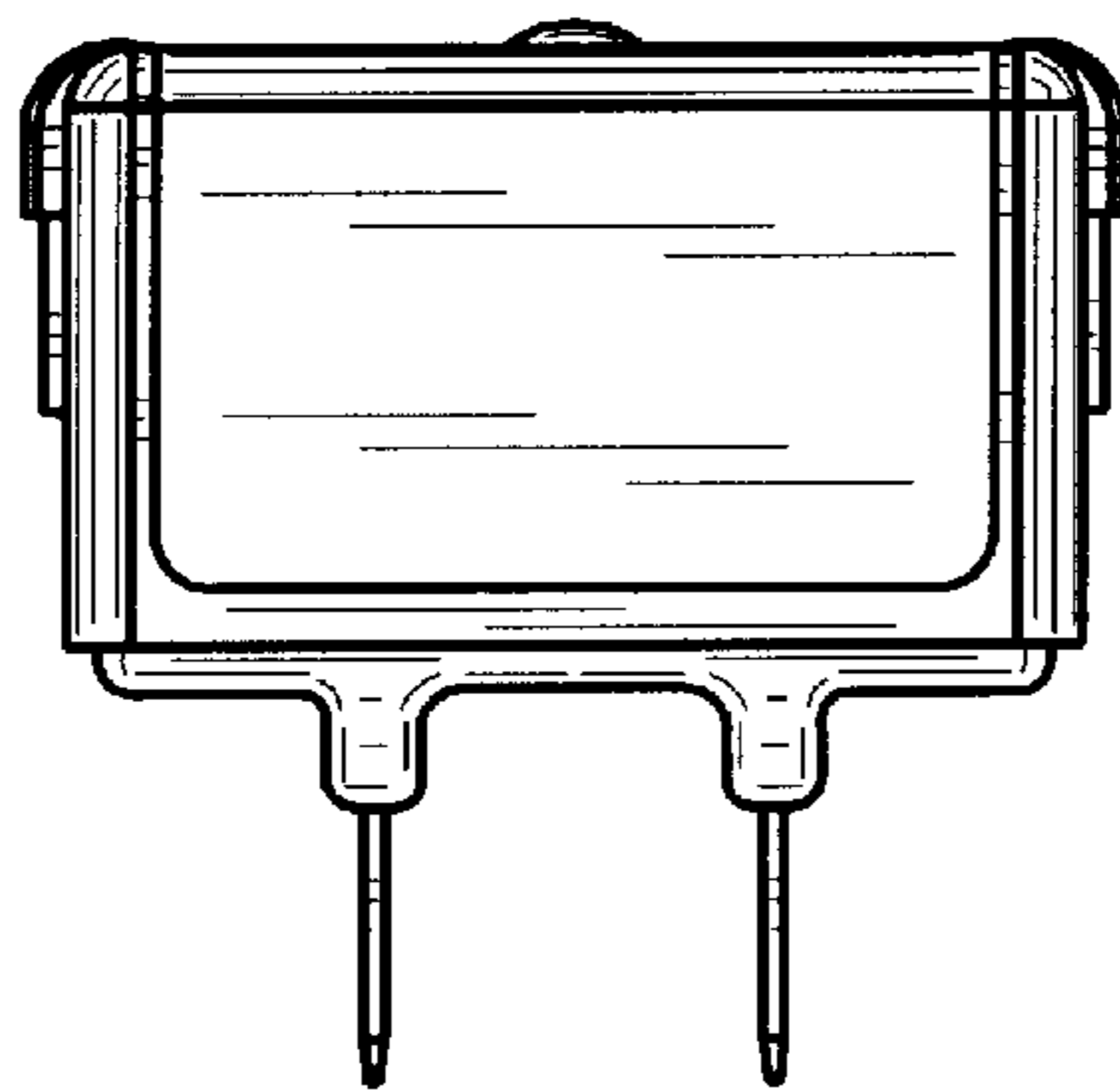


FIG. 4

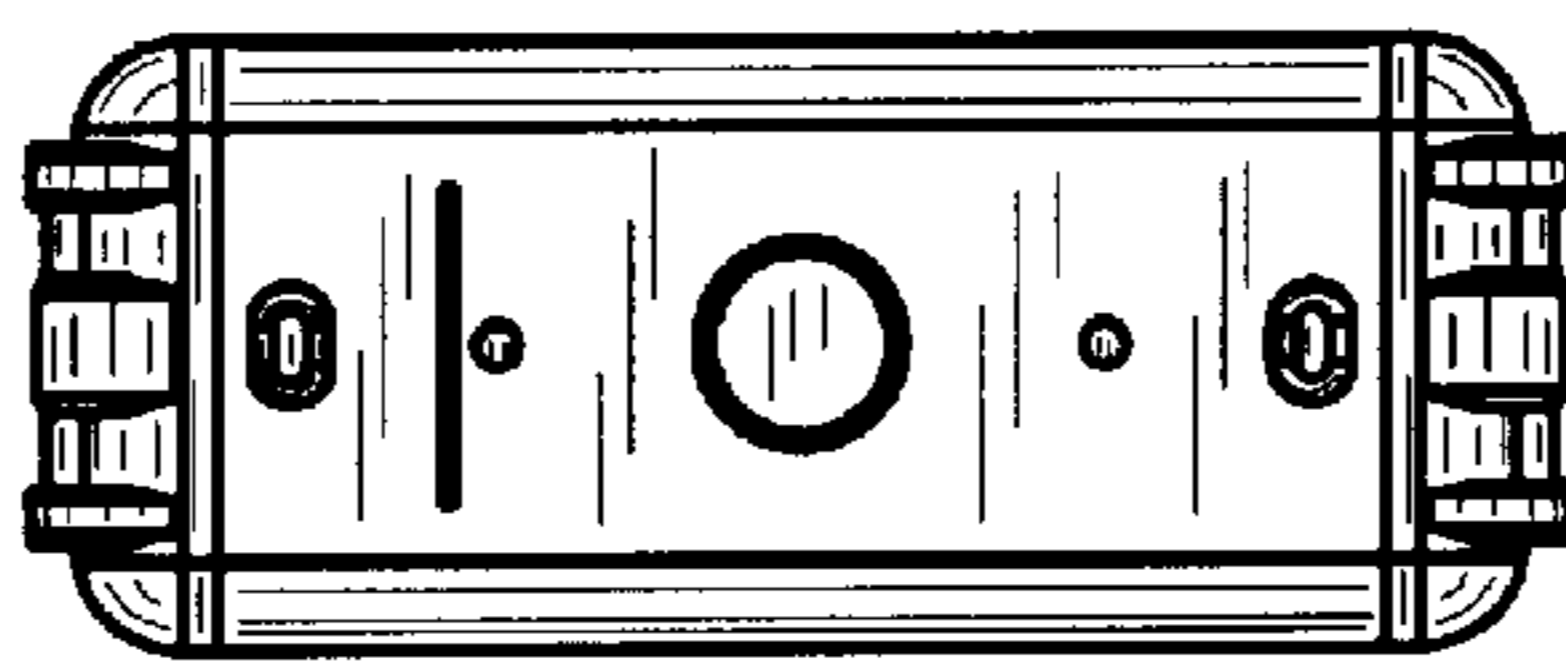


FIG. 5

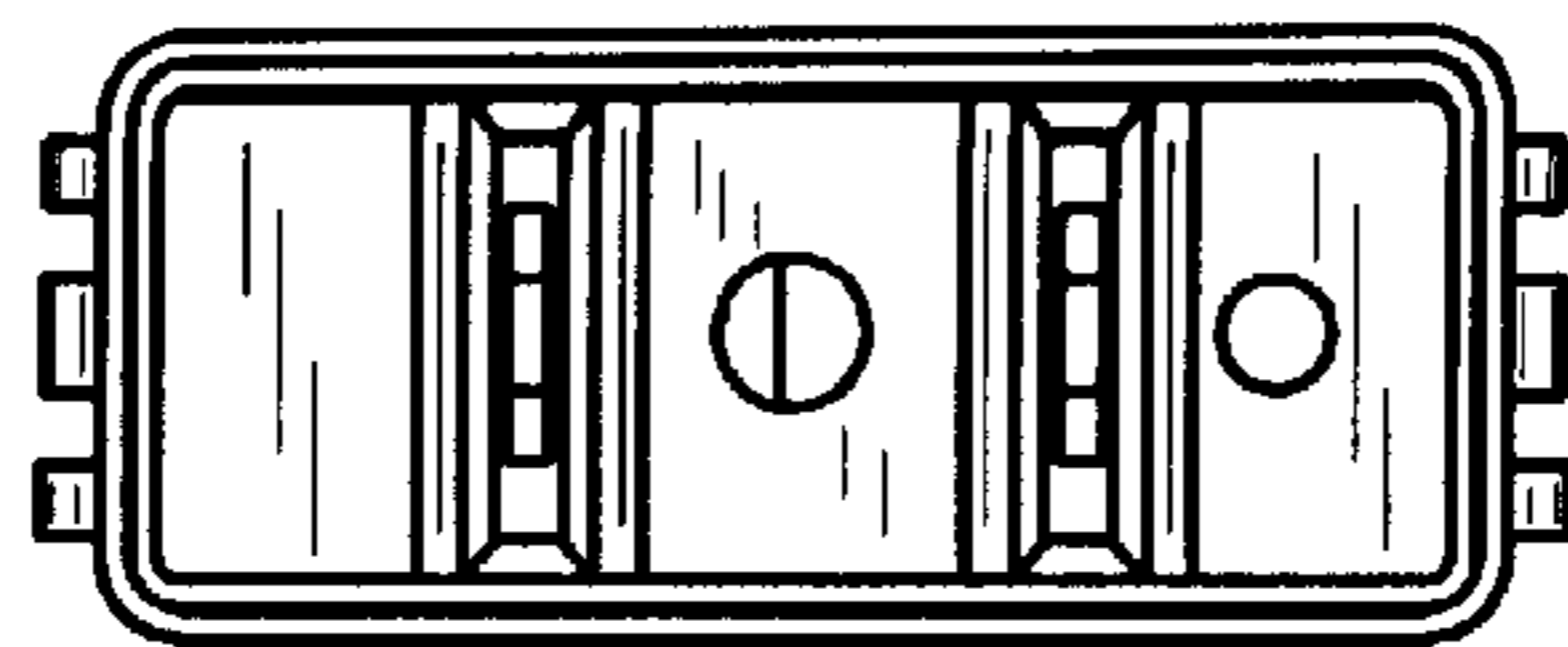


FIG. 6