



US00D427568S

# United States Patent [19]

Ko et al.

[11] Patent Number: **Des. 427,568**

[45] Date of Patent: **\*\* Jul. 4, 2000**

[54] **POWER CONNECTOR**

[75] Inventors: **David Tso-Chin Ko**, Thousand Oaks;  
**Eric Juntwait**, Irvine, both of Calif.

[73] Assignee: **Hon Hai Precision Ind. Co., Ltd.**,  
Taipei Hsien, Taiwan

[\*\*] Term: **14 Years**

[21] Appl. No.: **29/115,015**

[22] Filed: **Dec. 3, 1999**

[51] **LOC (7) Cl.** ..... **13-03**

[52] **U.S. Cl.** ..... **D13/147**

[58] **Field of Search** ..... D13/146, 147;  
439/352, 362, 608, 660

[56] **References Cited**

**U.S. PATENT DOCUMENTS**

- D. 385,255 10/1997 Sato ..... D13/147
- D. 409,573 5/1999 Shimojo et al. .... D13/147

- 4,577,919 3/1986 Waters ..... 439/362 X
- 5,197,900 3/1993 Ellis et al. .... 439/352
- 5,647,758 7/1997 Ichikawa et al. .... 439/362
- 5,876,248 3/1999 Bruncker et al. .... 439/660 X

*Primary Examiner*—Joel Sincavage  
*Attorney, Agent, or Firm*—Wei Te Chung

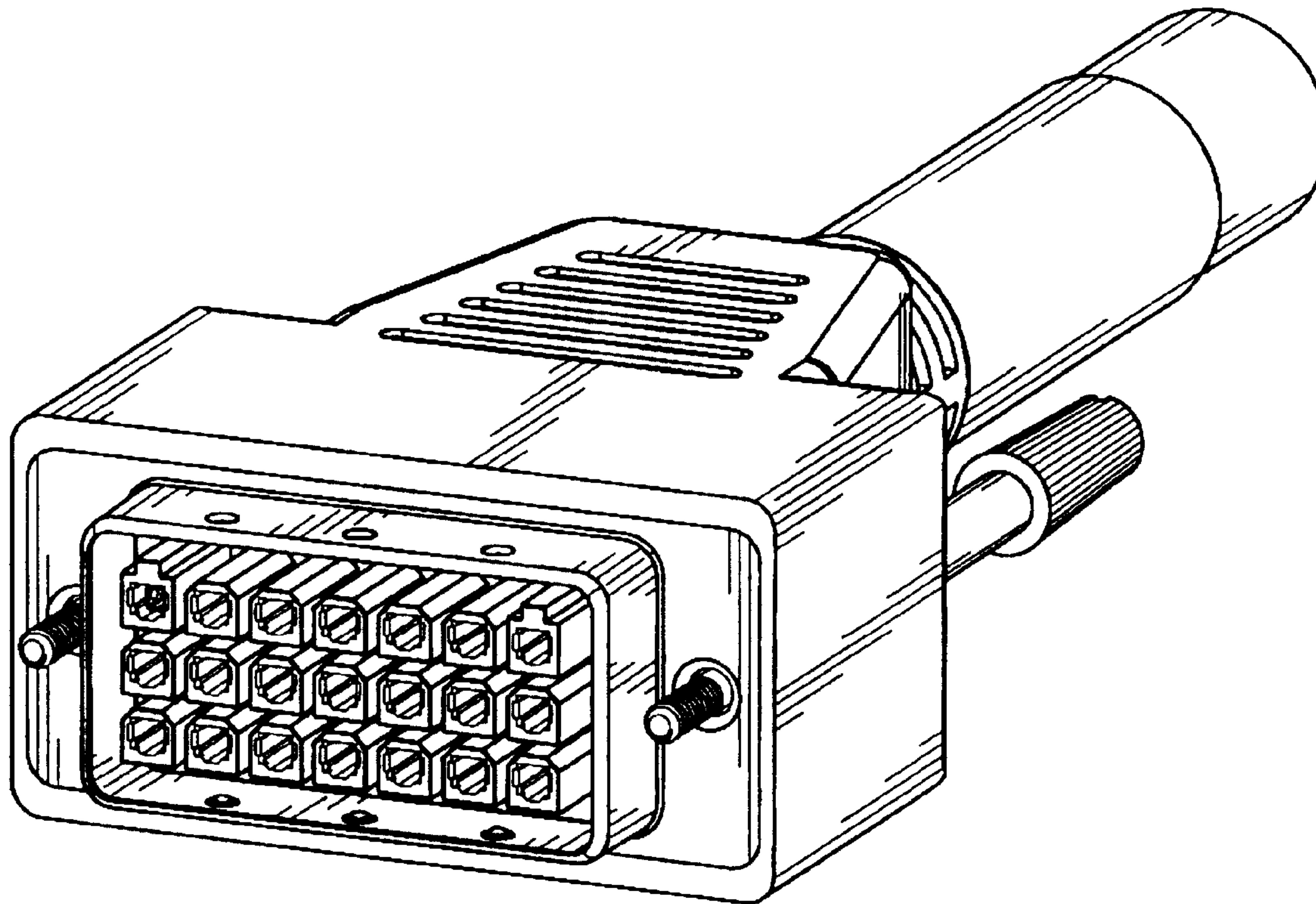
[57] **CLAIM**

The ornamental design for a power connector, as shown.

**DESCRIPTION**

FIG. 1 is a front, top and right side perspective view of a power connector showing our new design; FIG. 2 is a front elevational view thereof; FIG. 3 is a rear elevational view thereof; FIG. 4 is a left side elevational view thereof; FIG. 5 is a right side elevational view thereof; FIG. 6 is a top plan view thereof; and, FIG. 7 is a bottom plan view thereof.

**1 Claim, 5 Drawing Sheets**



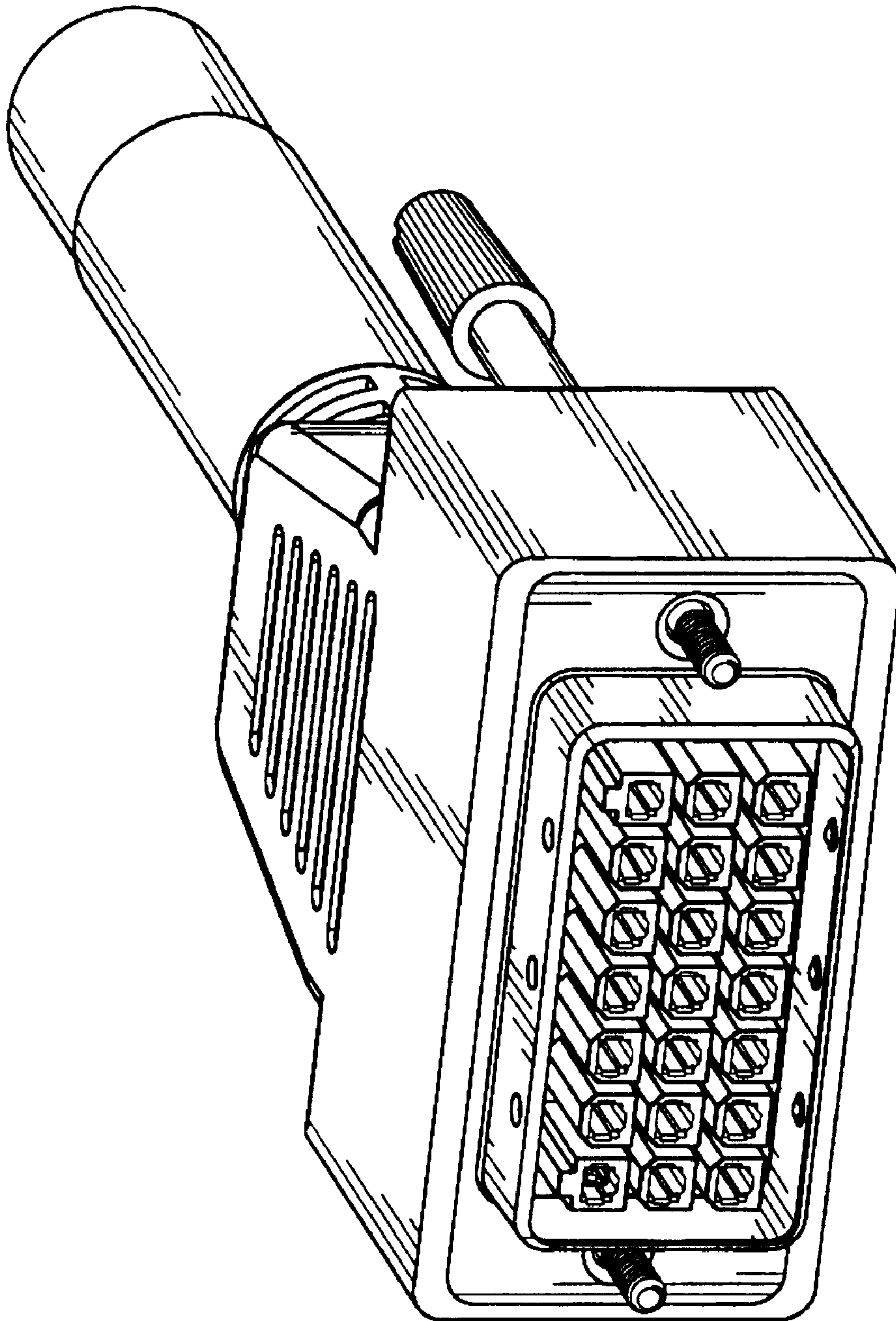


FIG. 1

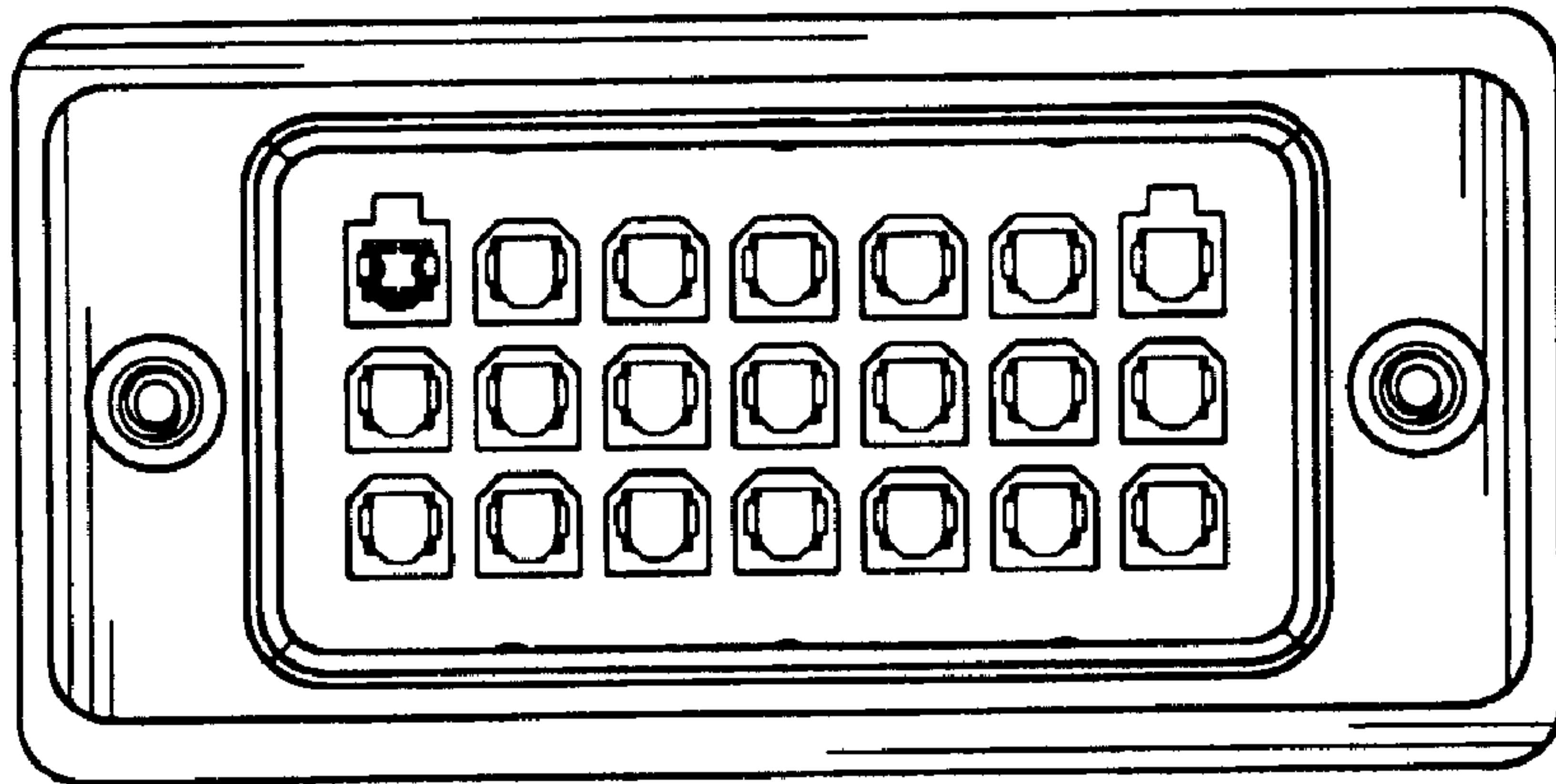


FIG. 2

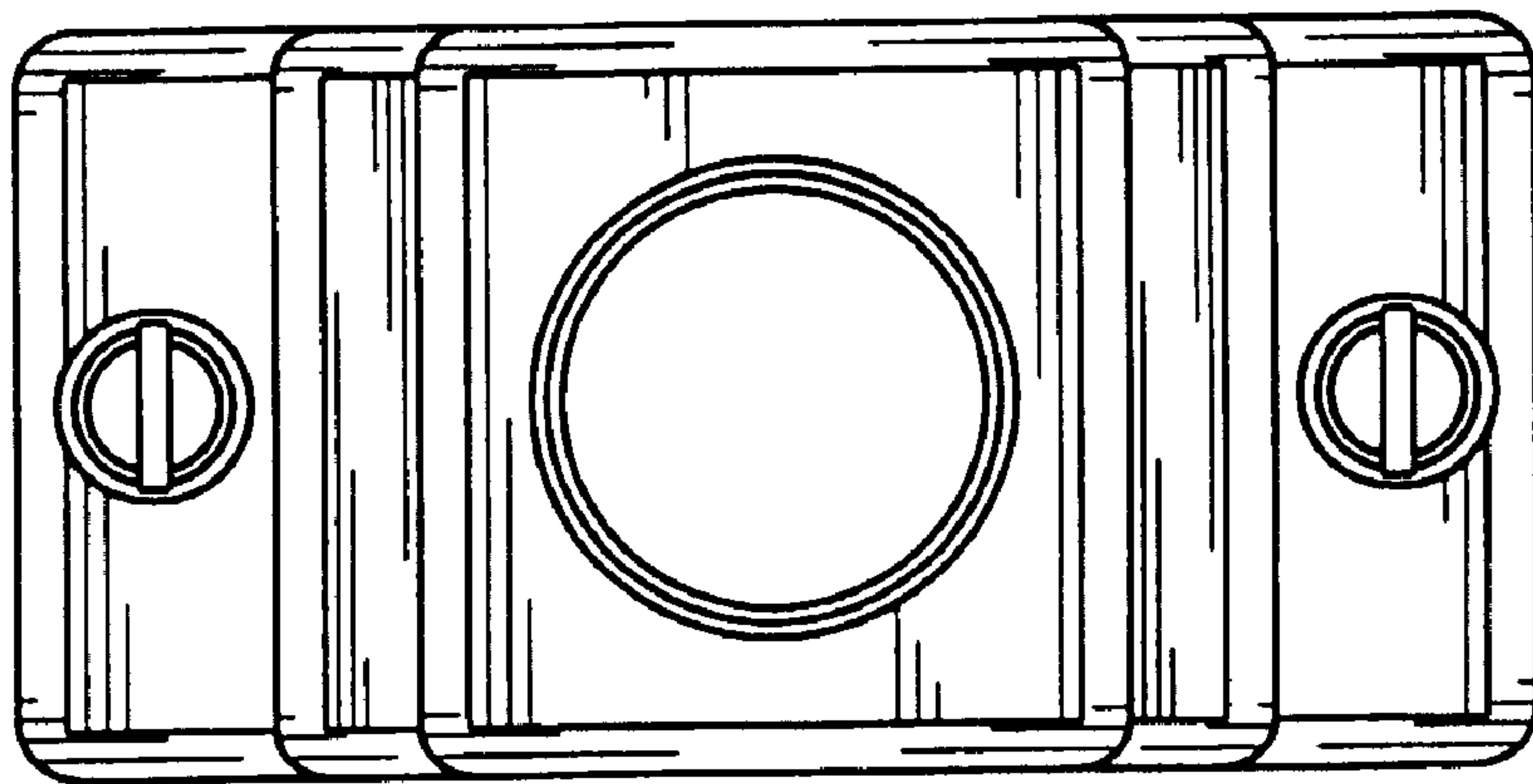


FIG. 3

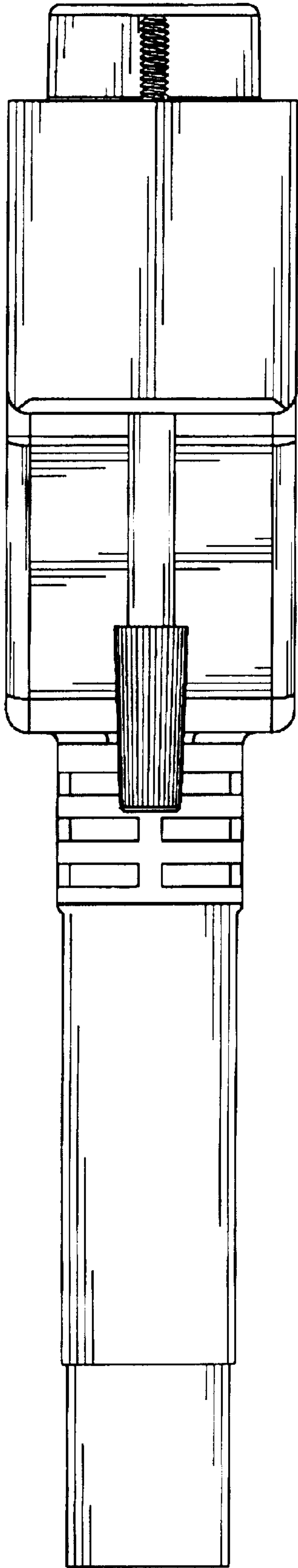


FIG. 4

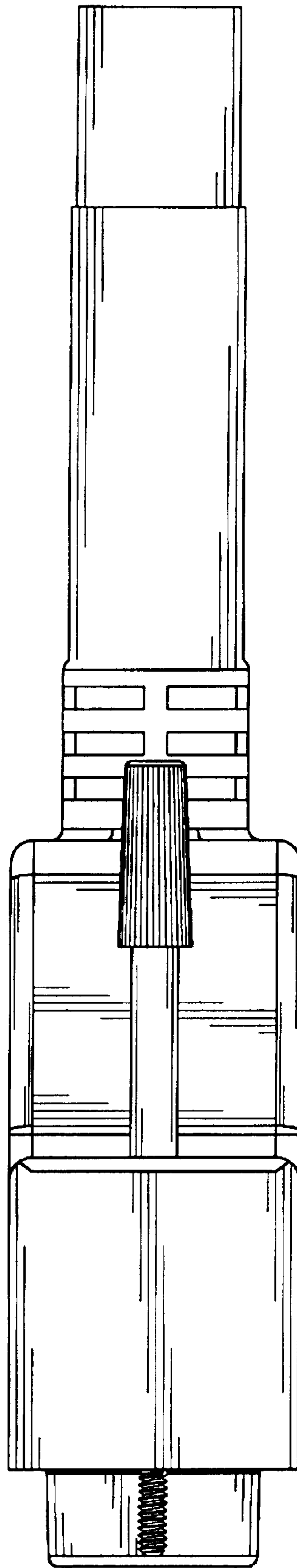


FIG. 5

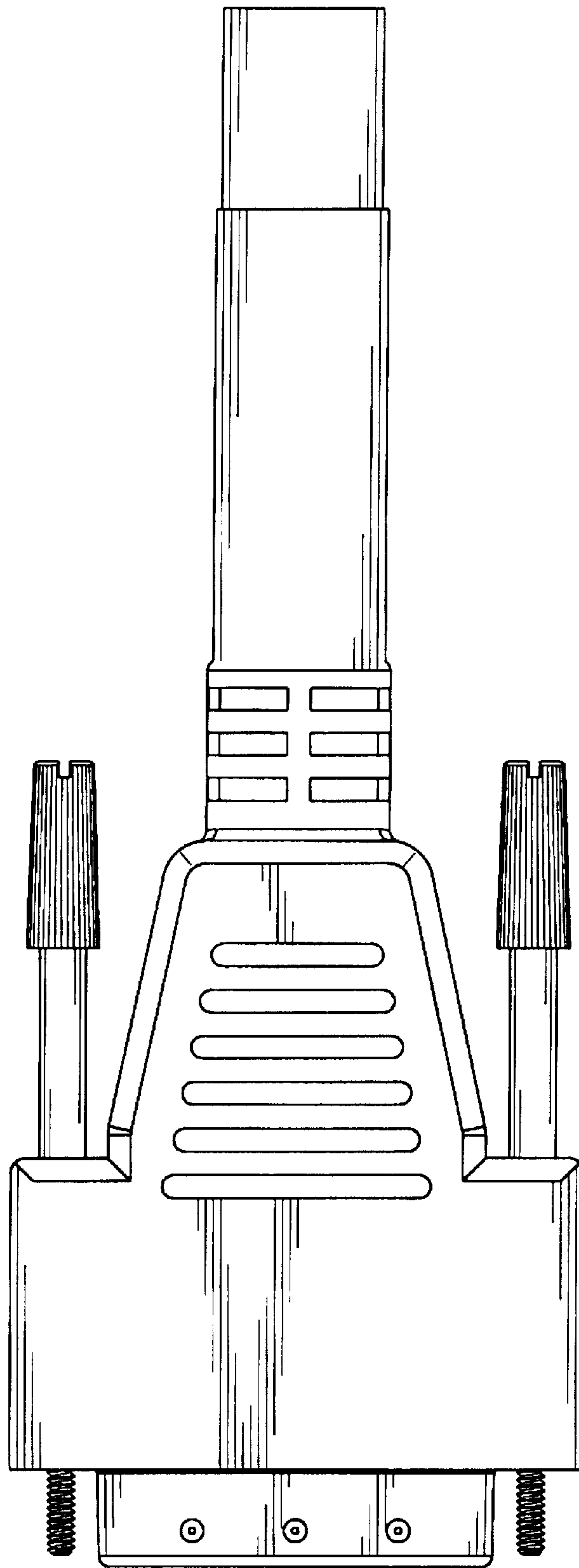


FIG. 6



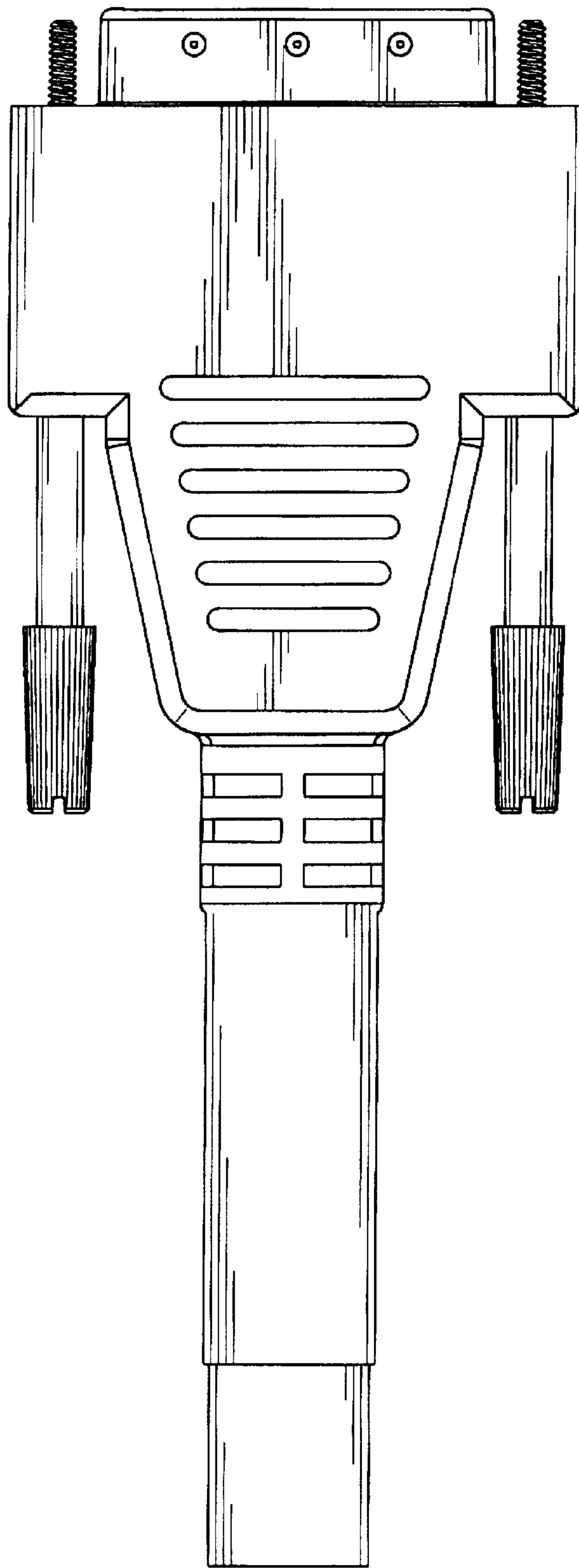


FIG. 7