



US00D427567S

United States Patent [19]

Nishio et al.

[11] Patent Number: **Des. 427,567**

[45] Date of Patent: **** Jul. 4, 2000**

[54] **ELECTRONIC CONNECTOR**

[75] Inventors: **Atsushi Nishio**, Ibaraki-ken; **Katsuhiro Hori**, Mito, both of Japan

[73] Assignee: **Mitsumi Electric Co., Ltd.**, Japan

[**] Term: **14 Years**

[21] Appl. No.: **29/107,584**

[22] Filed: **Jul. 8, 1999**

[51] **LOC (7) Cl.** **13-03**

[52] **U.S. Cl.** **D13/147**

[58] **Field of Search** D13/146, 147;
439/607, 609, 108

[56] **References Cited**

U.S. PATENT DOCUMENTS

D. 377,007 12/1996 Tan et al. D13/147

D. 380,196 6/1997 Aramaki D13/147

D. 408,788 4/1999 Homma D13/147

D. 416,863 11/1999 Sato et al. D13/147

Primary Examiner—Joel Sincavage
Attorney, Agent, or Firm—Morrison Law Firm

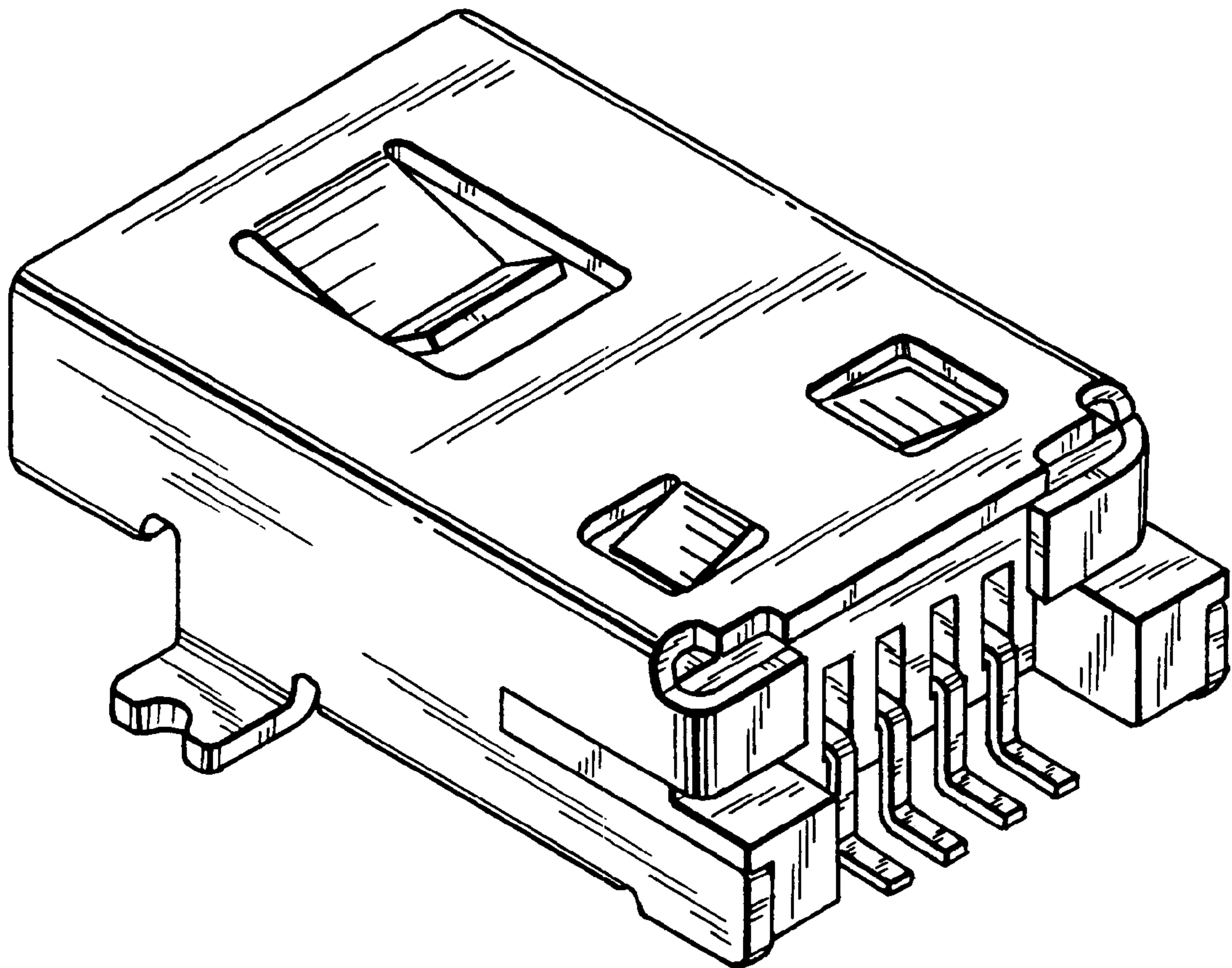
[57] **CLAIM**

The ornamental design for an electronic connector, as shown and described.

DESCRIPTION

FIG. 1 is a top, rear, right side perspective view of an electronic connector showing our design; FIG. 2 is a top plan view thereof; FIG. 3 is a rear view thereof; FIG. 4 is a right side view thereof, the left side being the mirror image thereof; FIG. 5 is a front view thereof; and, FIG. 6 is a bottom view thereof.

1 Claim, 3 Drawing Sheets



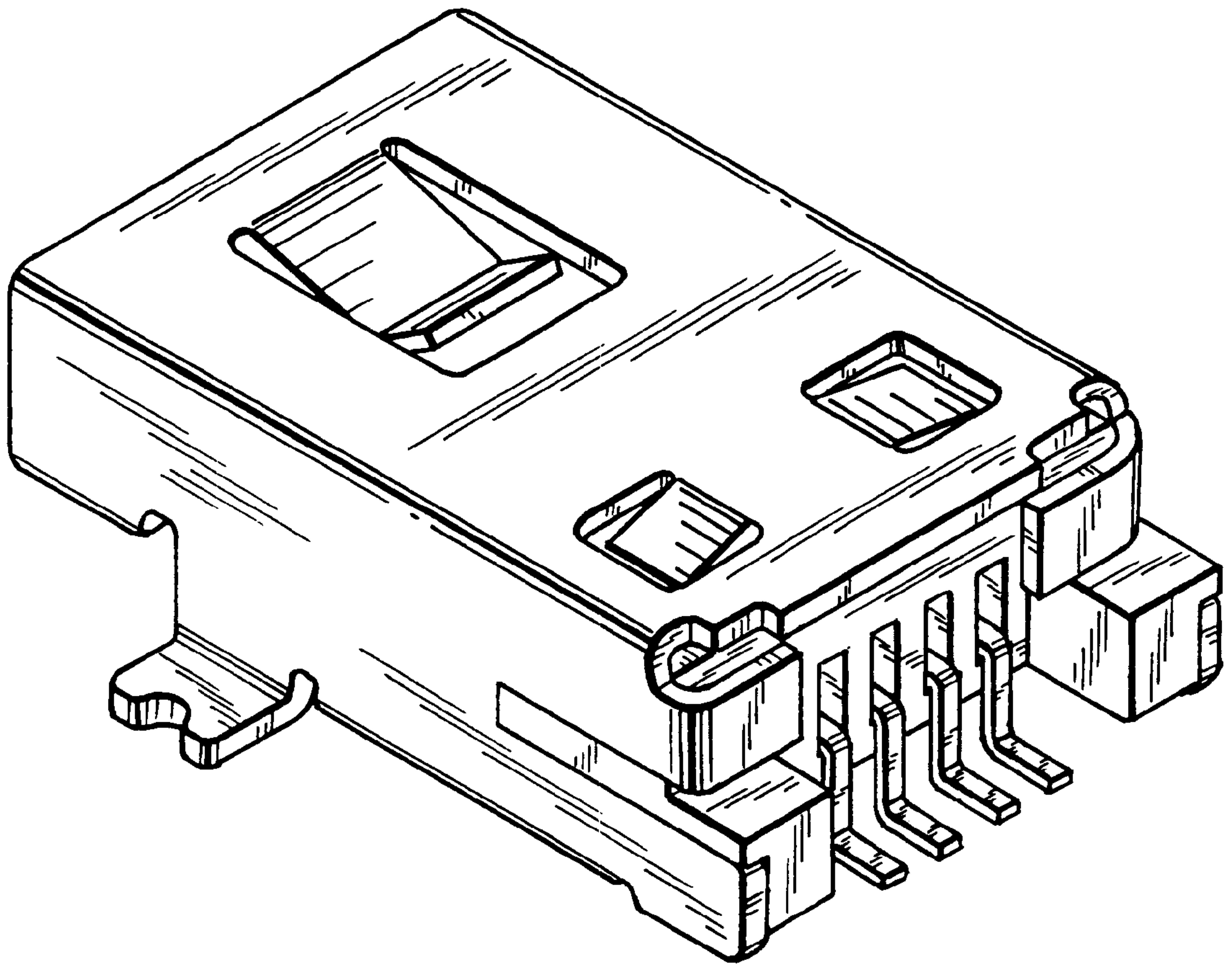


FIG. 1

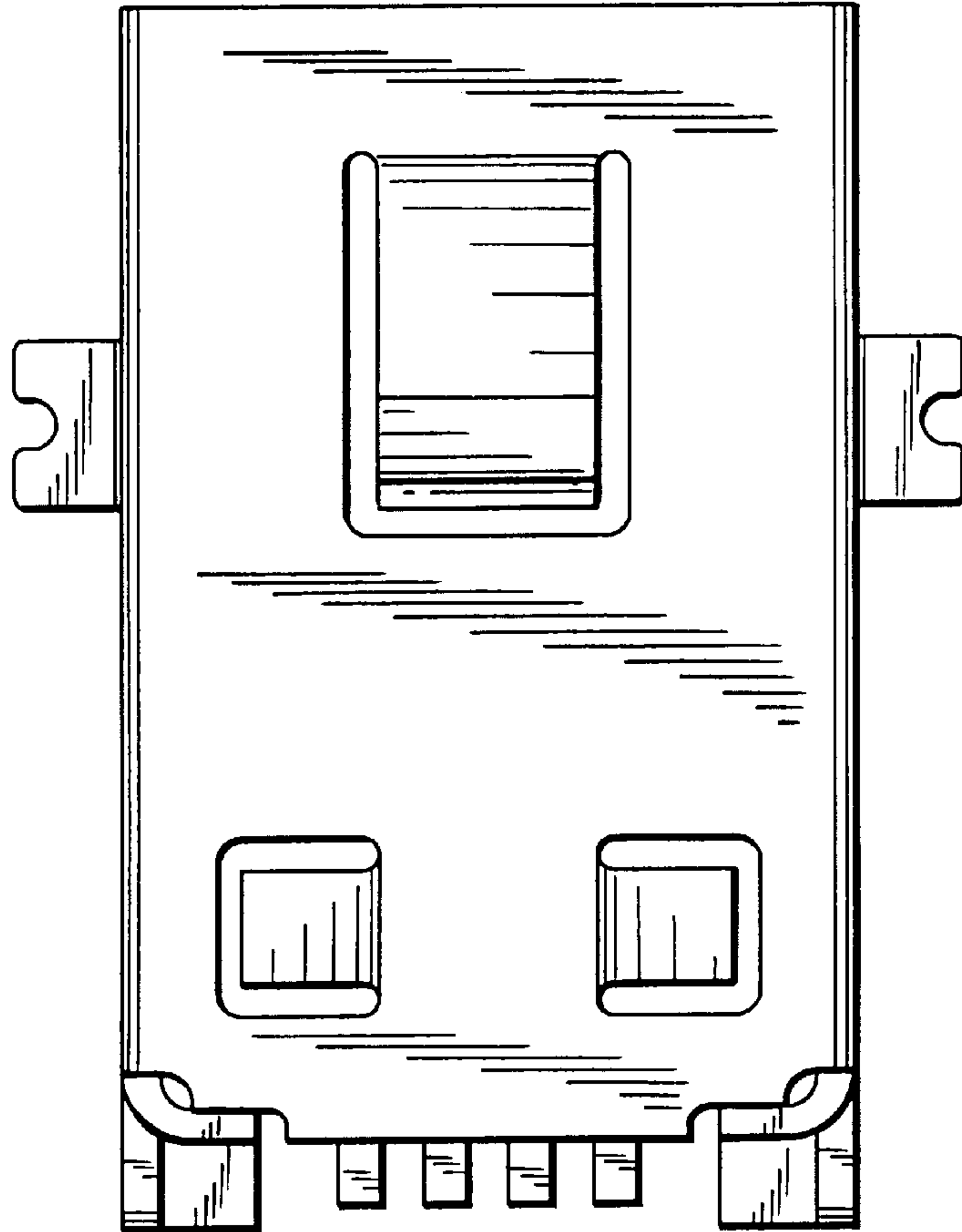


FIG. 2

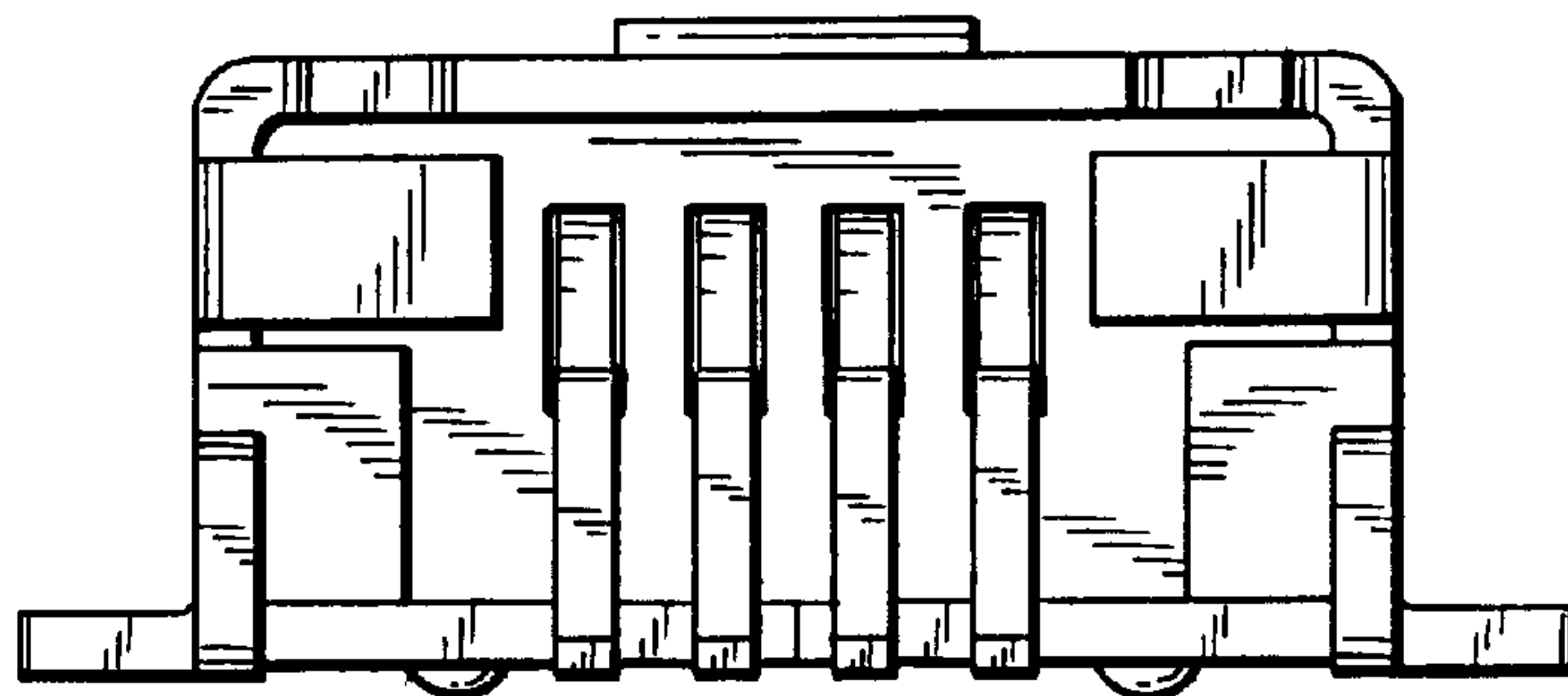


FIG. 3

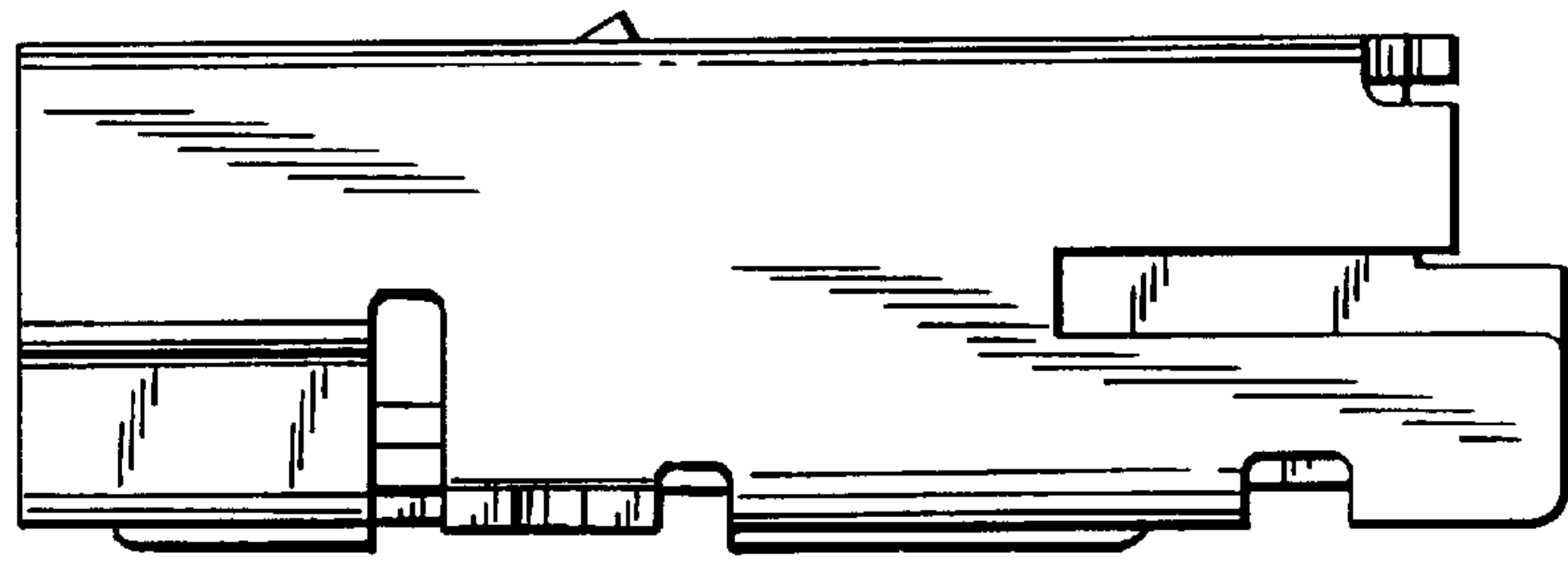


FIG. 4

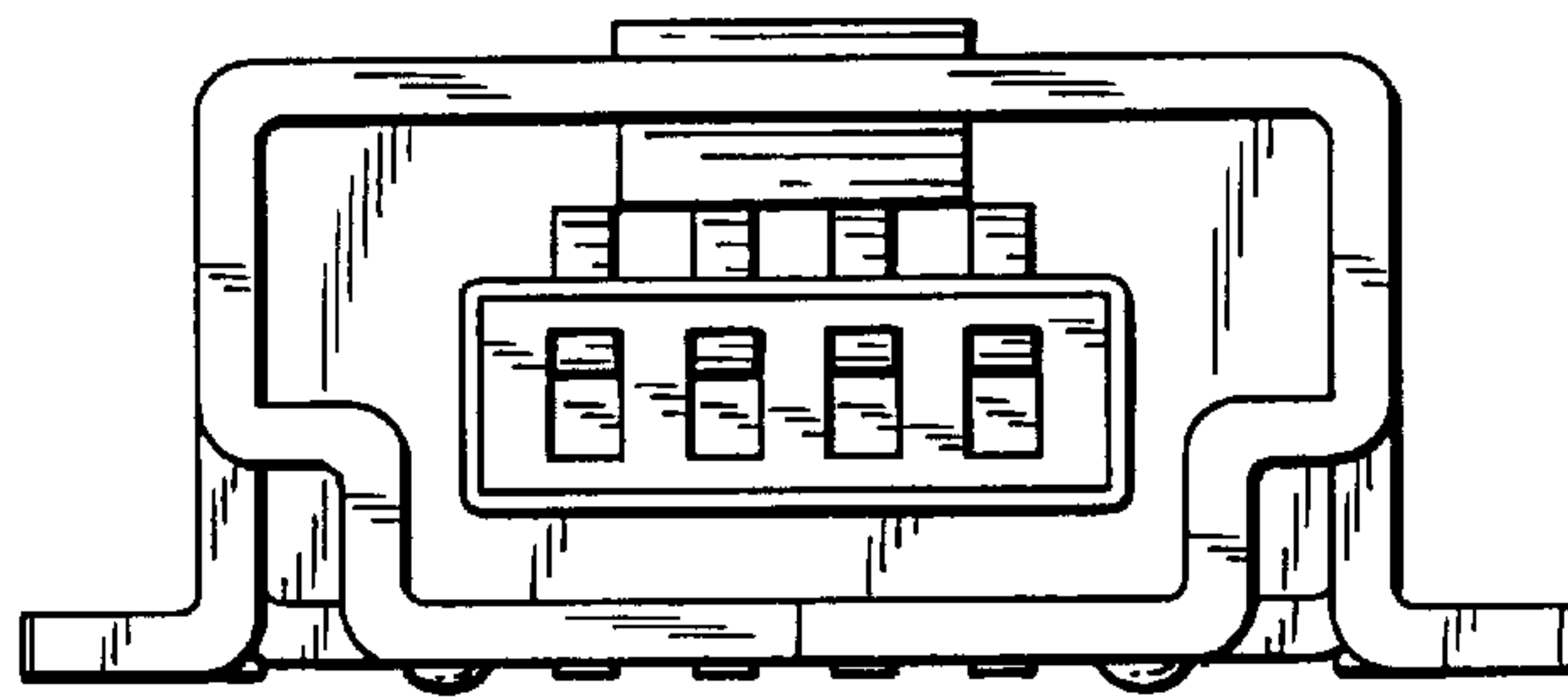


FIG. 5

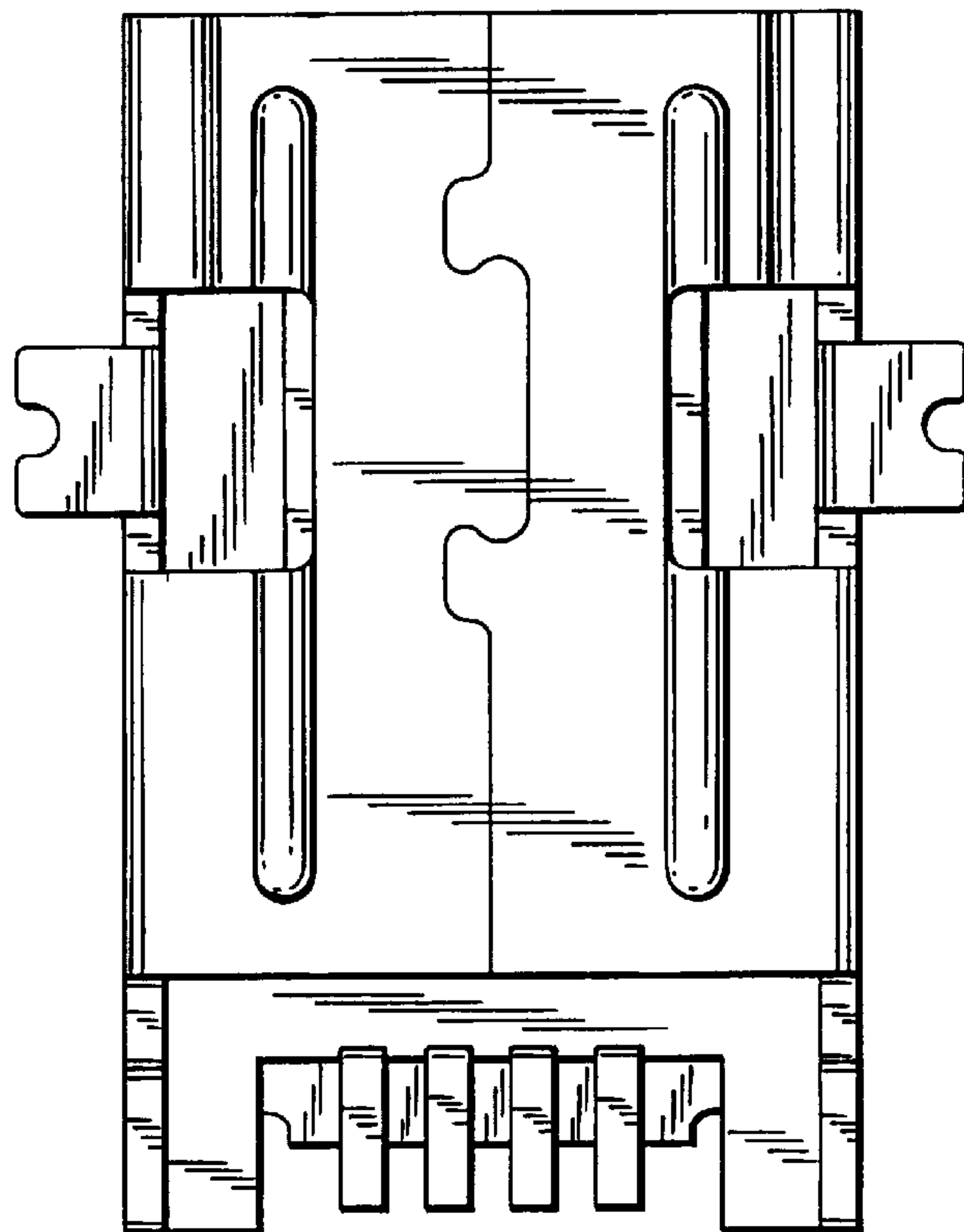


FIG. 6