



US00D427565S

United States Patent [19] Lok

[11] **Patent Number: Des. 427,565**

[45] **Date of Patent: ** Jul. 4, 2000**

[54] **CABLE PLUG**

4,697,864 10/1987 Hayes et al. 439/444
5,628,653 5/1997 Haas et al. 439/607

[75] Inventor: **Gordon Lok**, Montebello, Calif.

Primary Examiner—Joel Sincavage
Attorney, Agent, or Firm—Wei Te Chung

[73] Assignee: **Hon Hai Precision Ind. Co., Ltd.**,
Taipei Hsien, Taiwan

[**] Term: **14 Years**

[57] CLAIM

The ornamental design for a cable plug, as shown.

[21] Appl. No.: **29/098,292**

DESCRIPTION

[22] Filed: **Dec. 22, 1998**

[51] **LOC (7) Cl.** **13-03**

[52] **U.S. Cl.** **D13/147**

[58] **Field of Search** D13/146, 147,
D13/154; 439/362, 636, 610, 607, 597,
692

FIG. 1 is a perspective view of a cable plug showing my new design;

FIG. 2 is a front elevational view thereof;

FIG. 3 is a rear elevational view thereof;

FIG. 4 is a left side elevational view thereof;

FIG. 5 is a right side elevational view thereof;

FIG. 6 is a top plan view thereof; and,

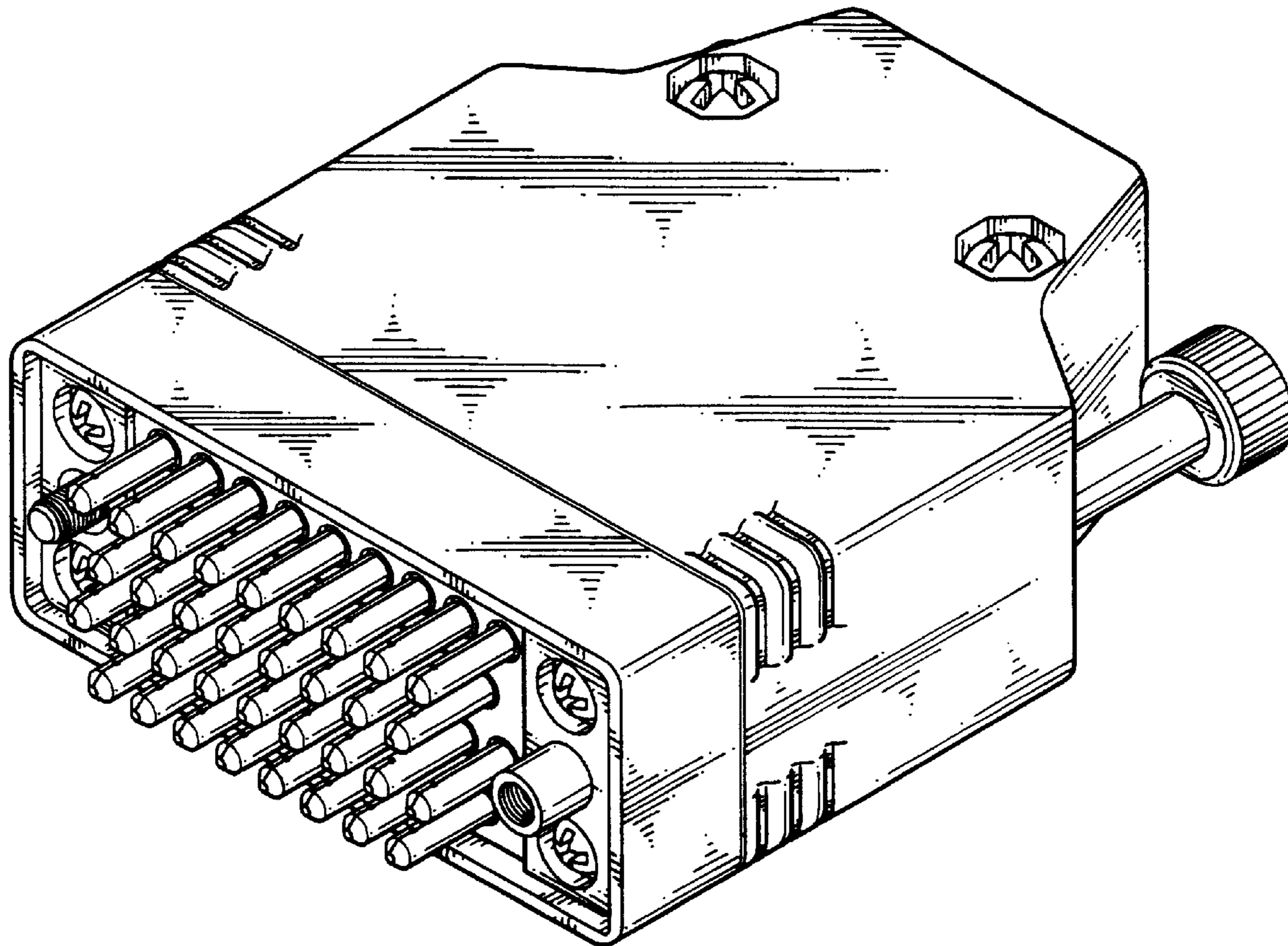
FIG. 7 is a bottom plan view thereof.

[56] References Cited

U.S. PATENT DOCUMENTS

4,577,919 3/1986 Waters 439/597

1 Claim, 4 Drawing Sheets



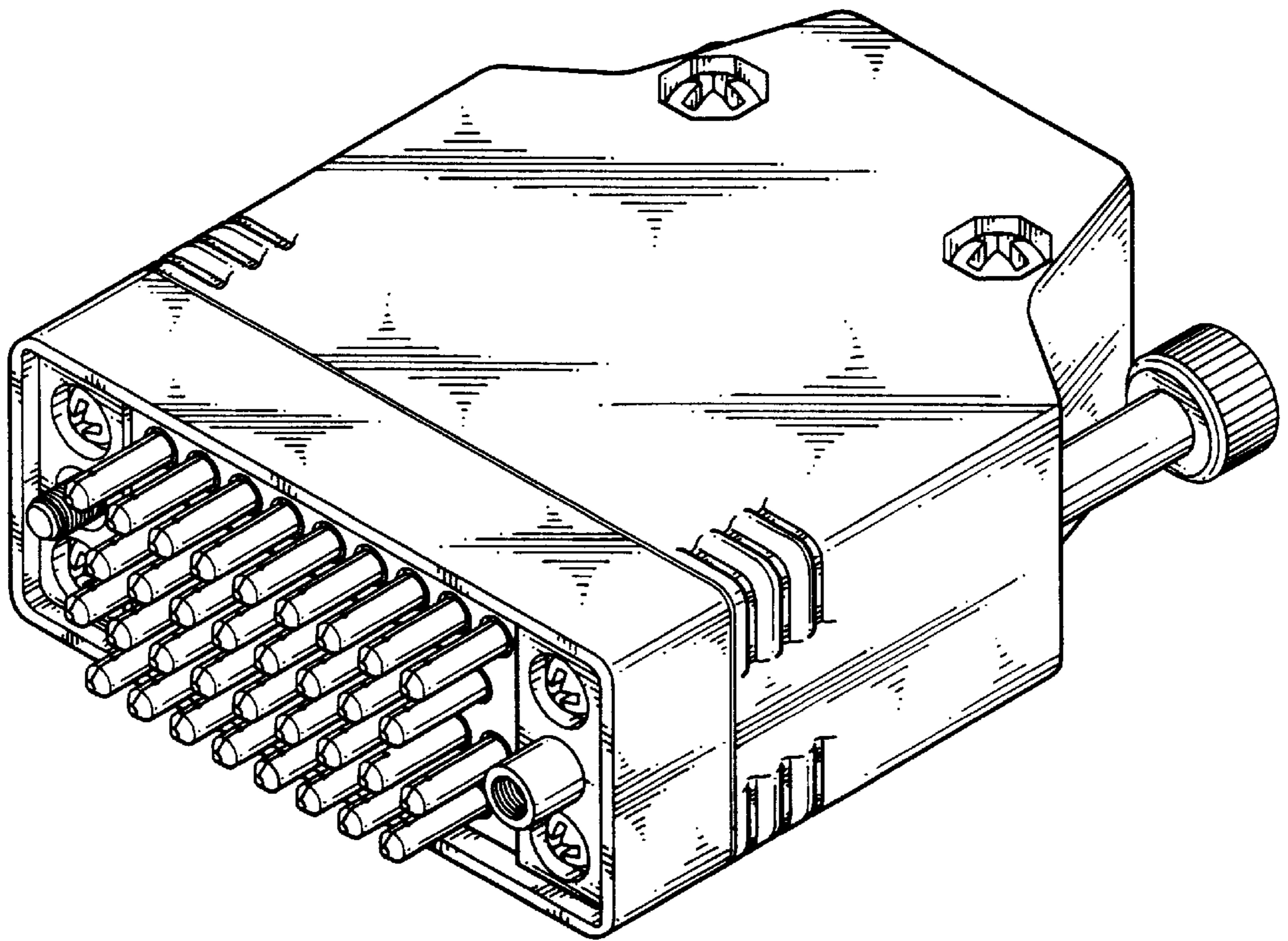


FIG. 1

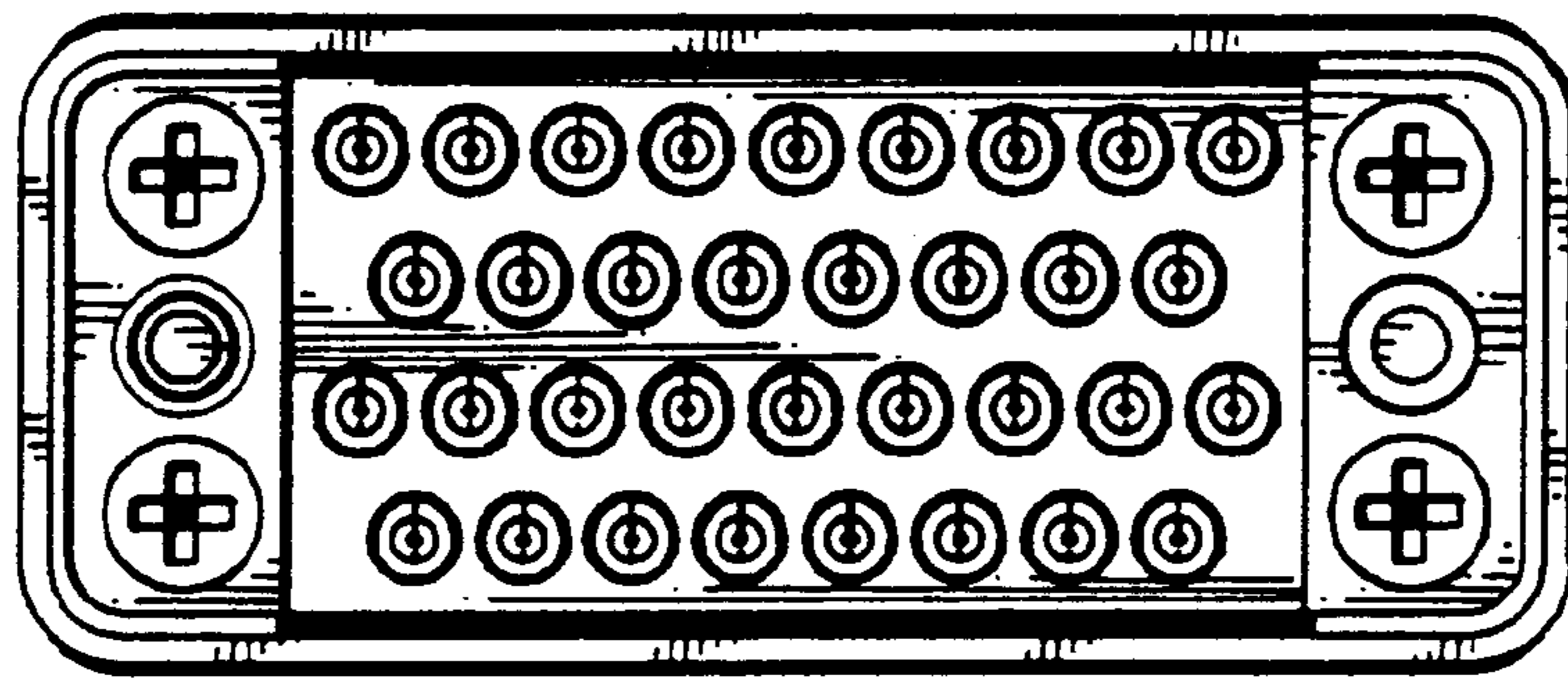


FIG. 2

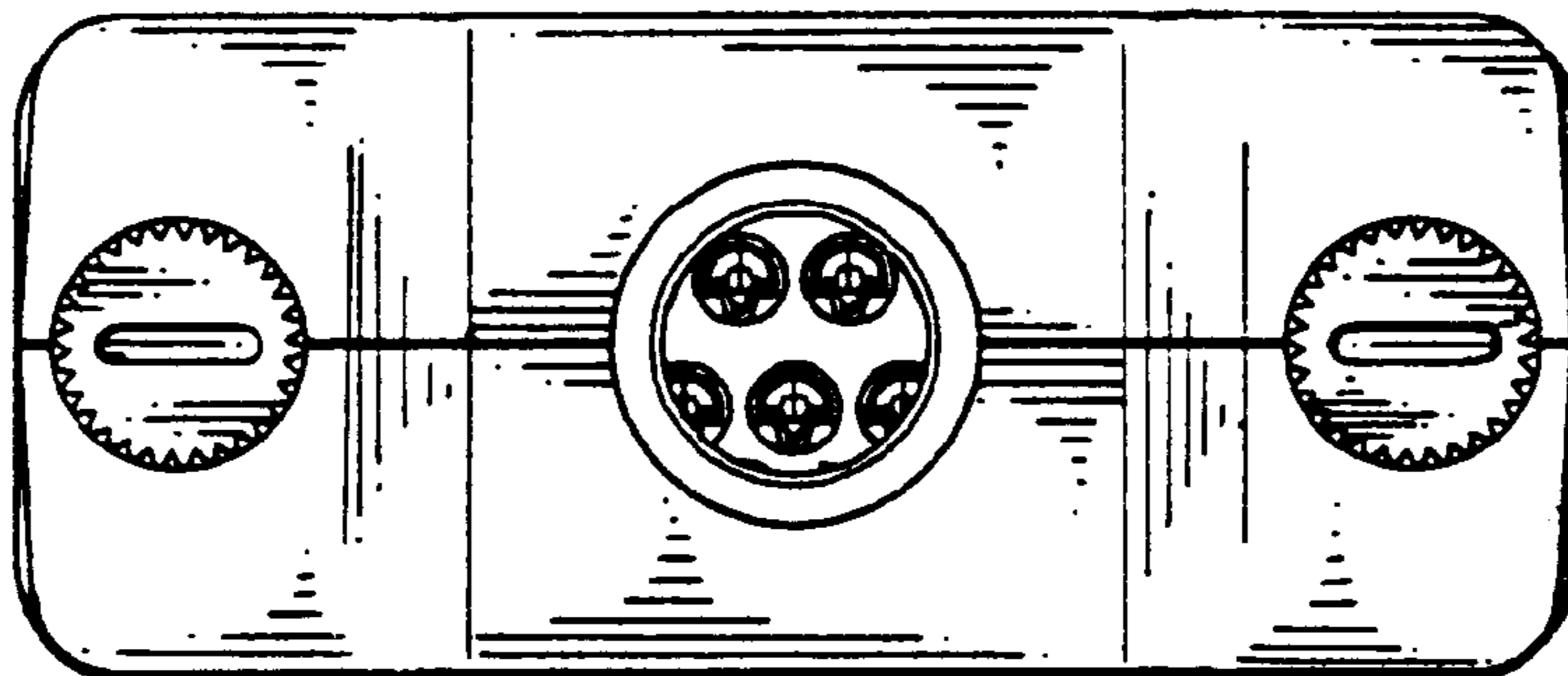


FIG. 3

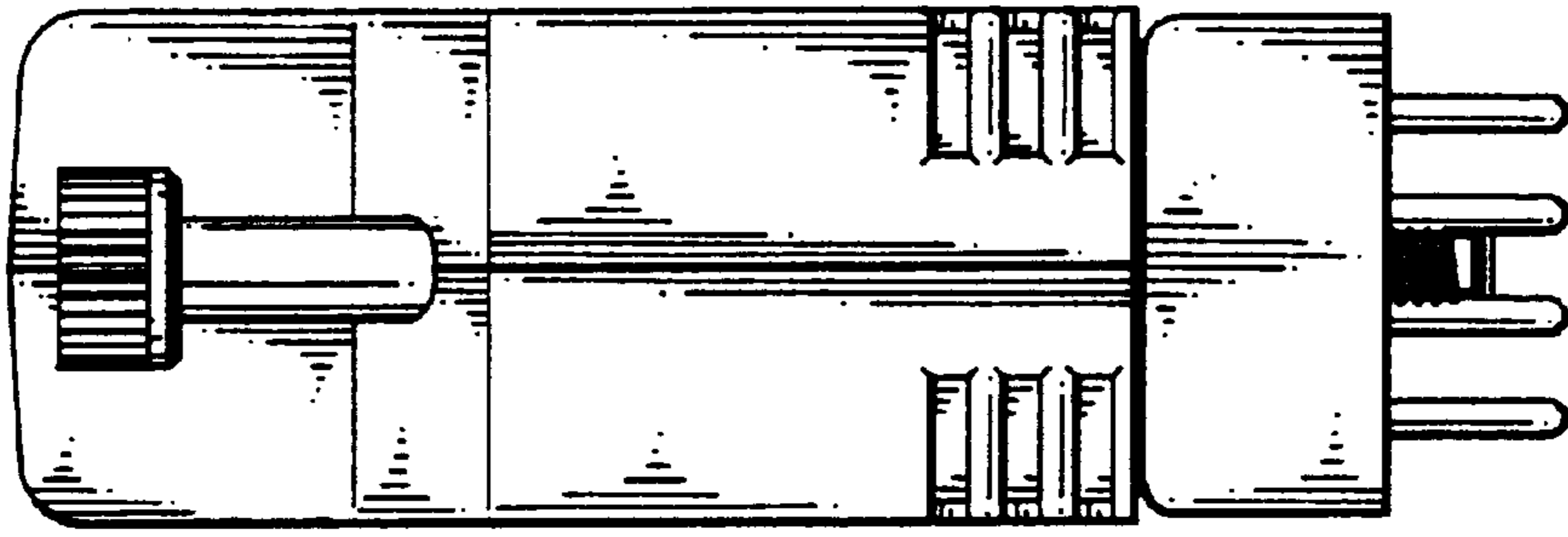


FIG. 4

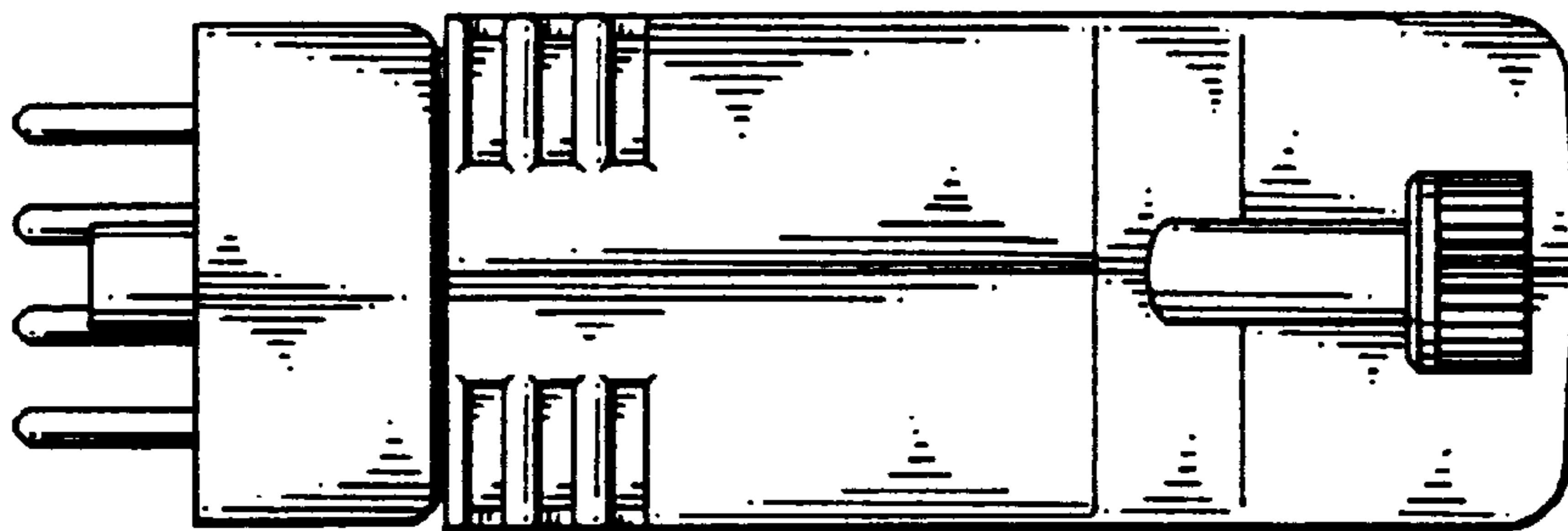


FIG. 5

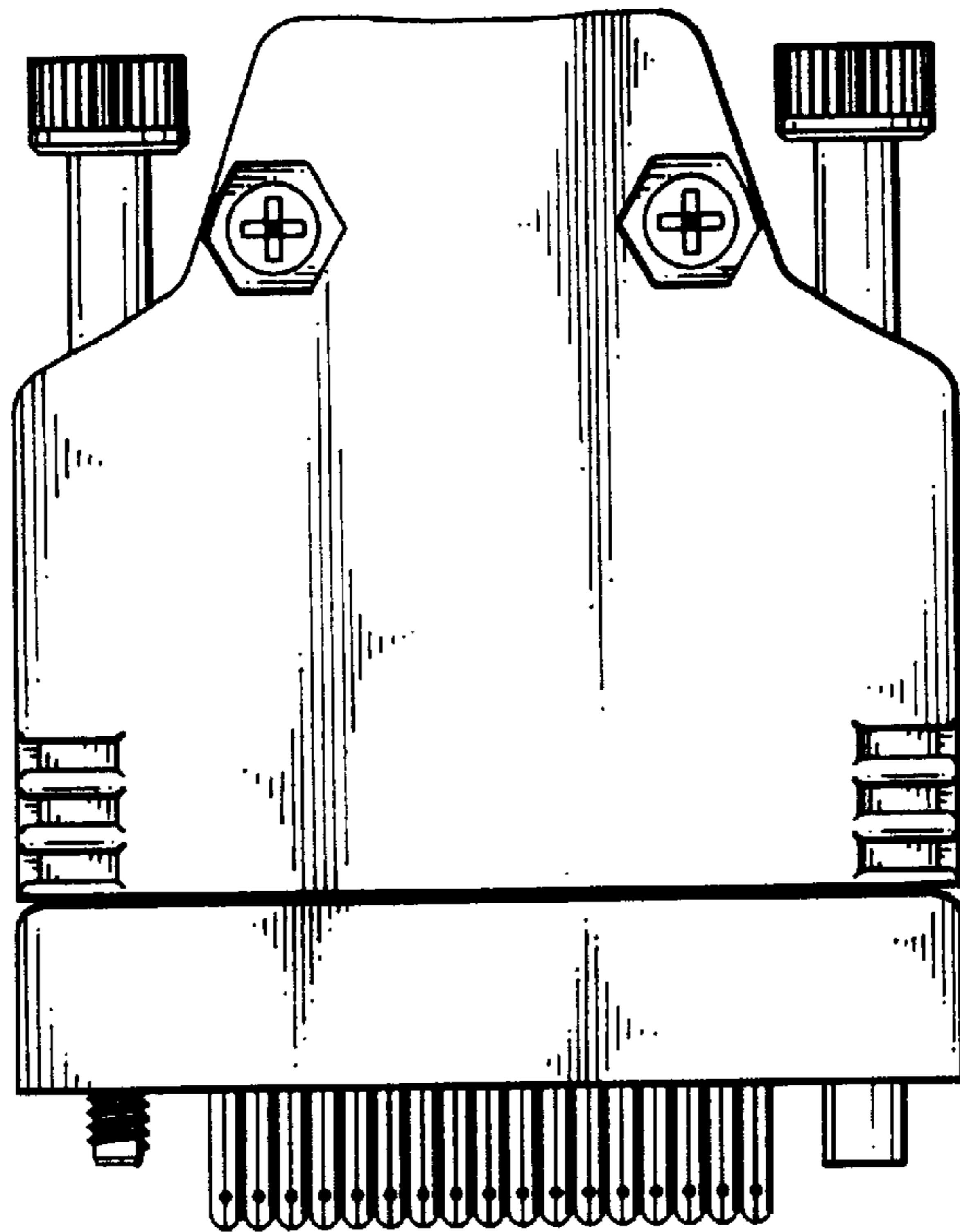


FIG. 6

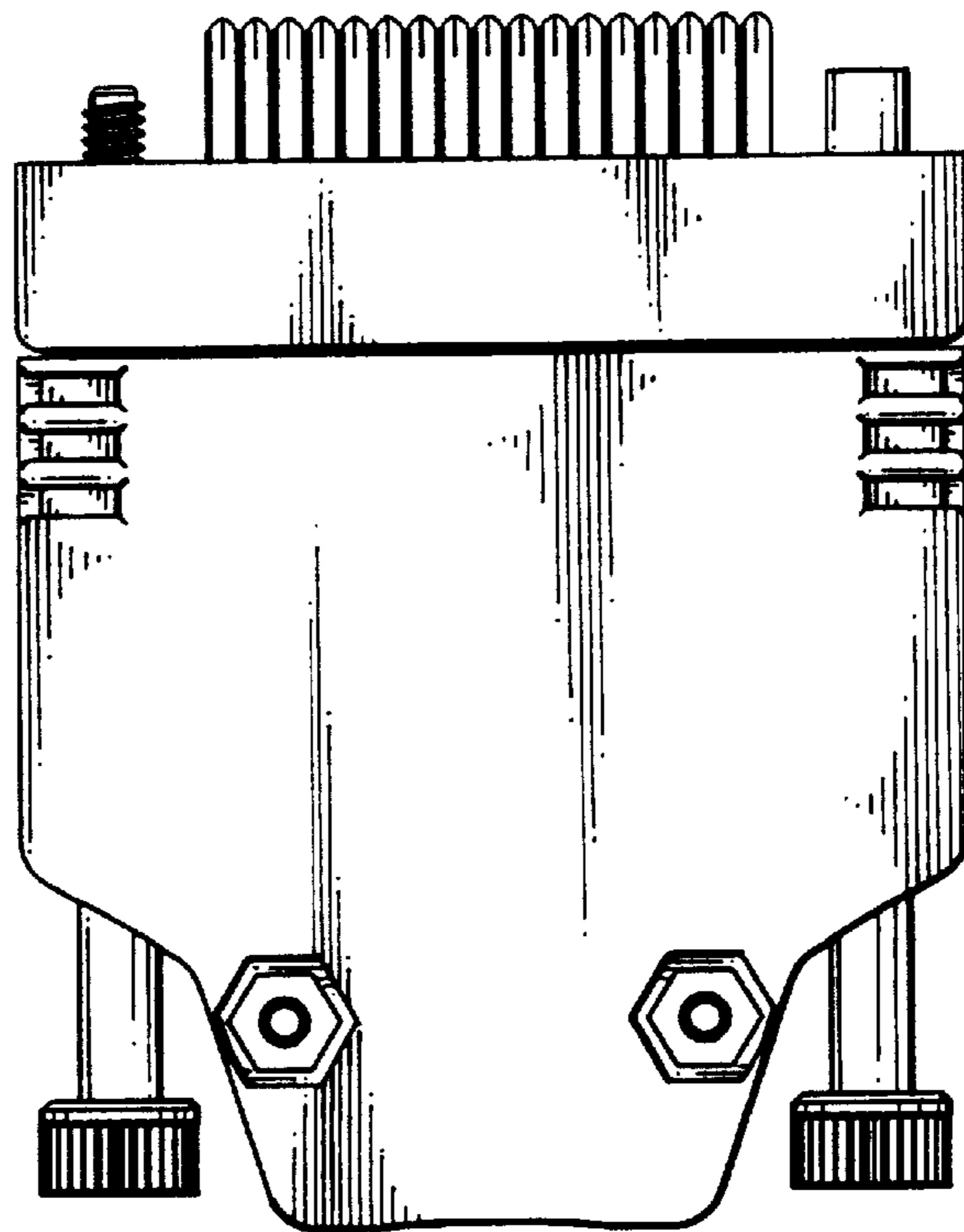


FIG. 7