



US00D427564S

United States Patent [19]

[11] **Patent Number: Des. 427,564**

Wu

[45] **Date of Patent: ** Jul. 4, 2000**

[54] **BATTERY CHARGER FOR MOBILE PHONE
BATTERY AND MOBILE PHONE**

Primary Examiner—Joel Sincavage
Attorney, Agent, or Firm—Dougherty & Troxell

[75] Inventor: **Michael Wu, Hsin Tien, Taiwan**

[57] **CLAIM**

[73] Assignee: **Formosa Electronic Industries Inc.,
Taiwan**

The ornamental design for a battery charger for mobile phone battery and mobile phone, as shown and described.

[**] Term: **14 Years**

DESCRIPTION

[21] Appl. No.: **29/108,059**

FIG. 1 is a perspective view of a battery charger for mobile phone battery and mobile phone showing my new design; FIG. 2 is a front elevational view thereof; FIG. 3 is a rear elevational view thereof; FIG. 4 is a left side elevational view thereof; FIG. 5 is a right side elevational view thereof; FIG. 6 is a top plan view thereof; FIG. 7 is a bottom plan view thereof; FIG. 8 is a front, bottom and right side perspective view thereof, showing that the primary plug and the secondary plug thereof are both at collapsed positions; FIG. 9 is a front, bottom and right side perspective view thereof, showing that the primary plug and the secondary plug thereof are both at collapsed positions; and, FIG. 10 is a front, bottom and right side perspective view thereof, showing that the primary plug thereof is at the collapsed position and the secondary plug thereof is at the erect position.

[22] Filed: **Jul. 21, 1999**

[51] **LOC (7) Cl. 13-02**

[52] **U.S. Cl. D13/107; D13/108**

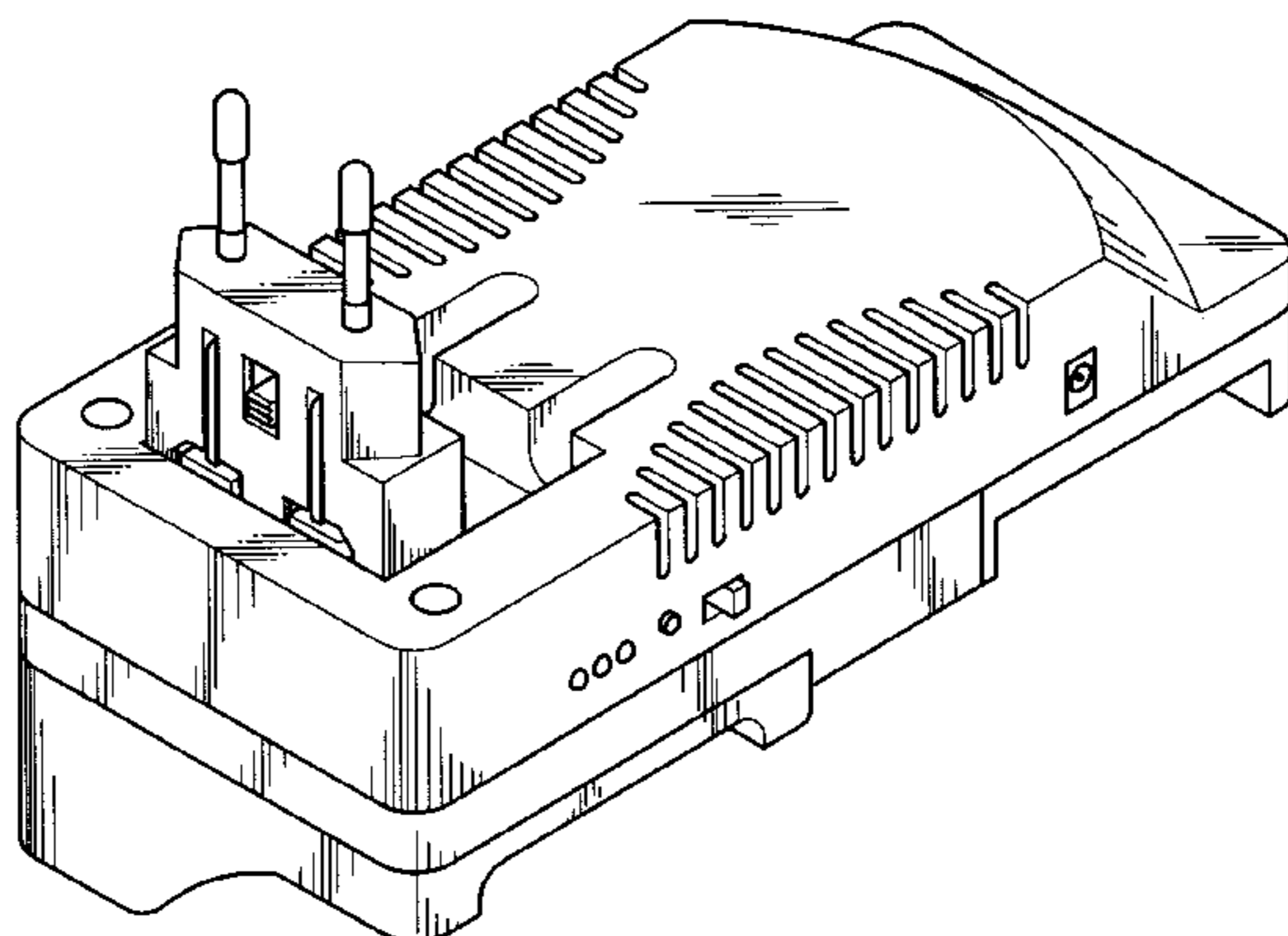
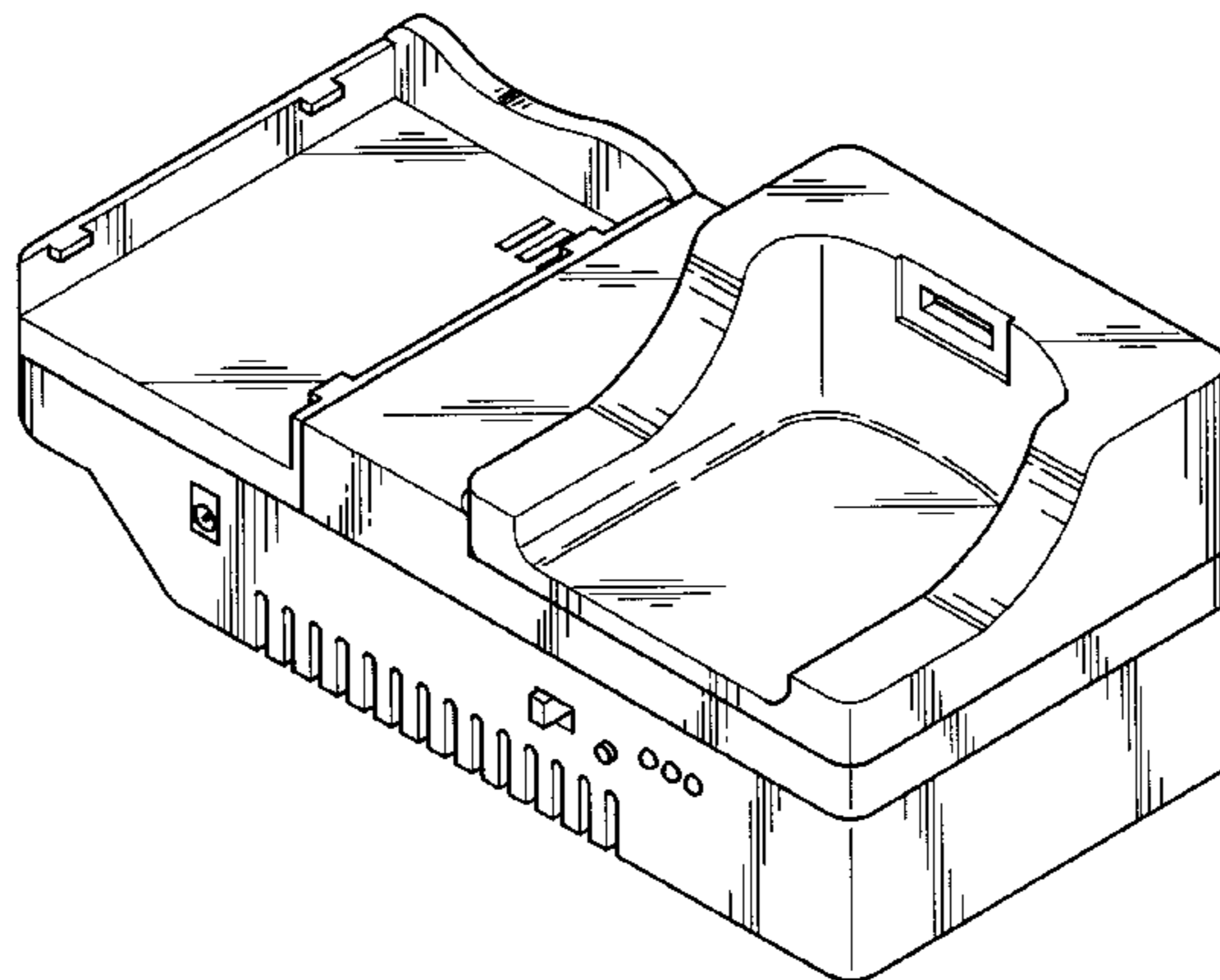
[58] **Field of Search D13/107, 108;
D14/251, 253; 320/110-115**

[56] **References Cited**

U.S. PATENT DOCUMENTS

D. 319,061	8/1991	Powell et al.	D13/107 X
D. 327,247	6/1992	Higuchi et al.	D13/108
D. 358,813	5/1995	Hellier et al.	D13/108 X
D. 409,976	5/1999	Buck	D13/107
D. 411,823	7/1999	Jacobs et al.	D13/107
5,611,701	3/1997	Hahn	D13/107 X
5,648,712	7/1997	Hahn	320/111
5,834,919	11/1998	Liu	320/111

1 Claim, 7 Drawing Sheets



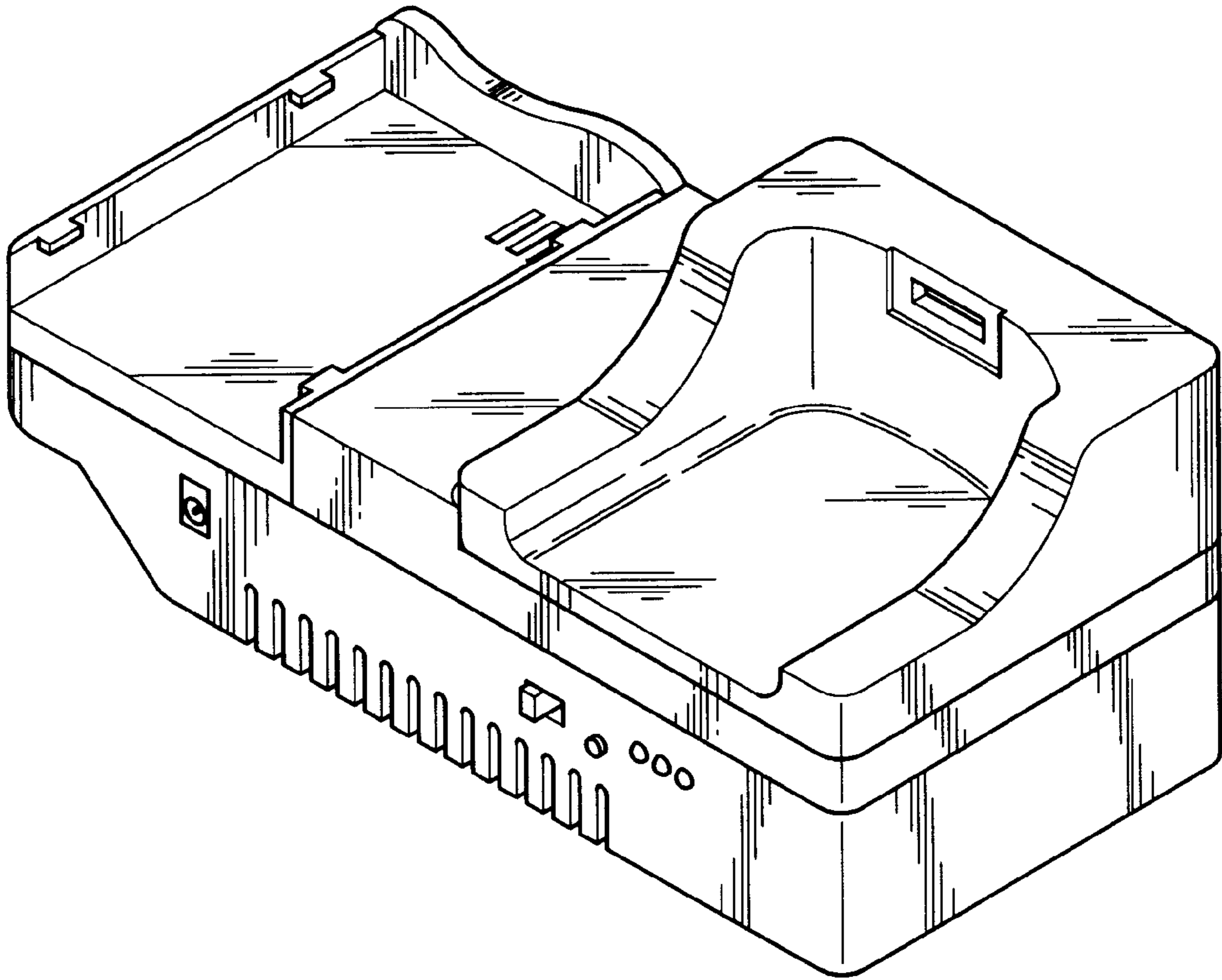


FIG. 1

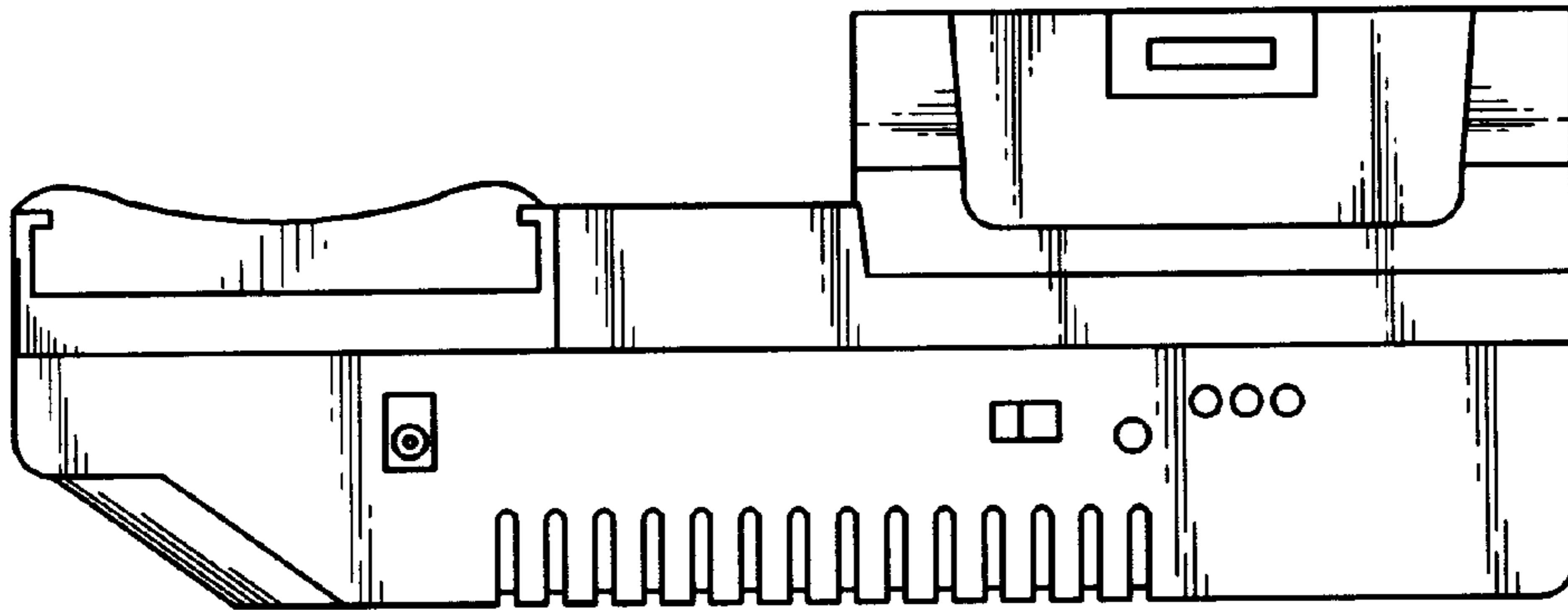


FIG. 2

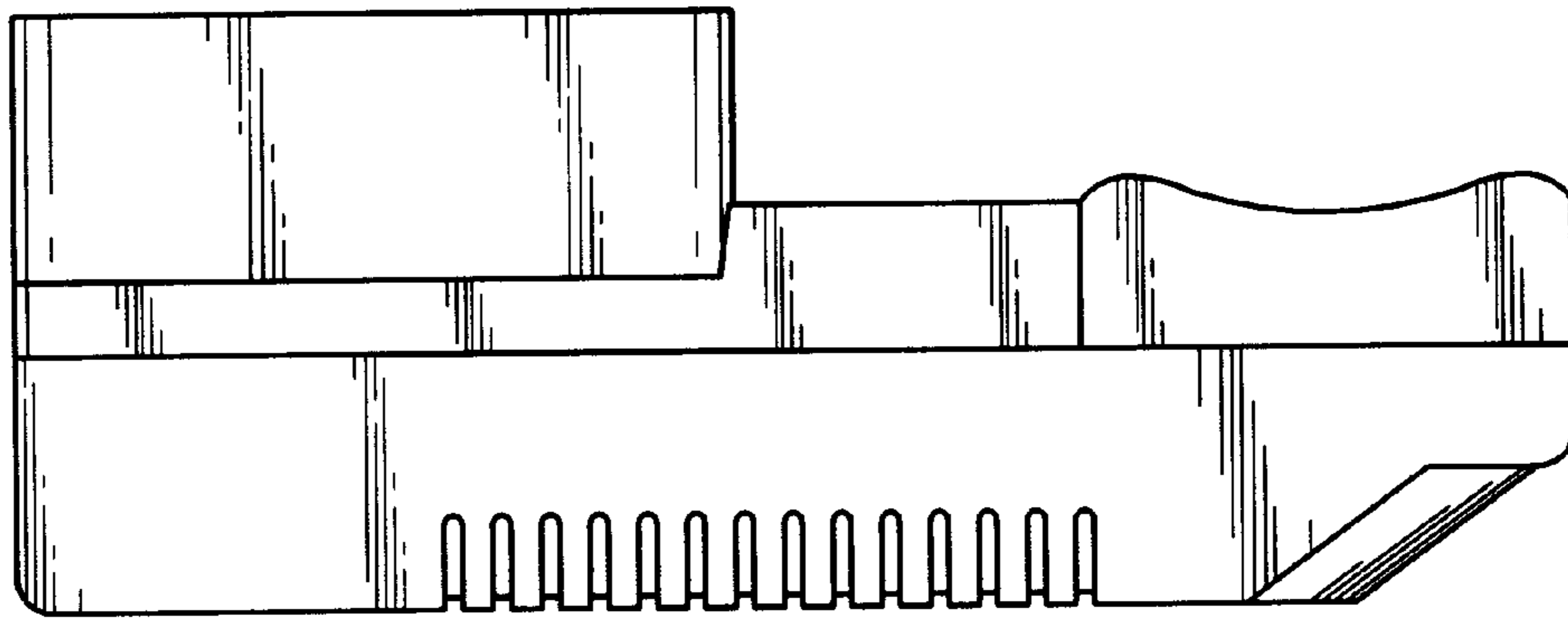


FIG. 3

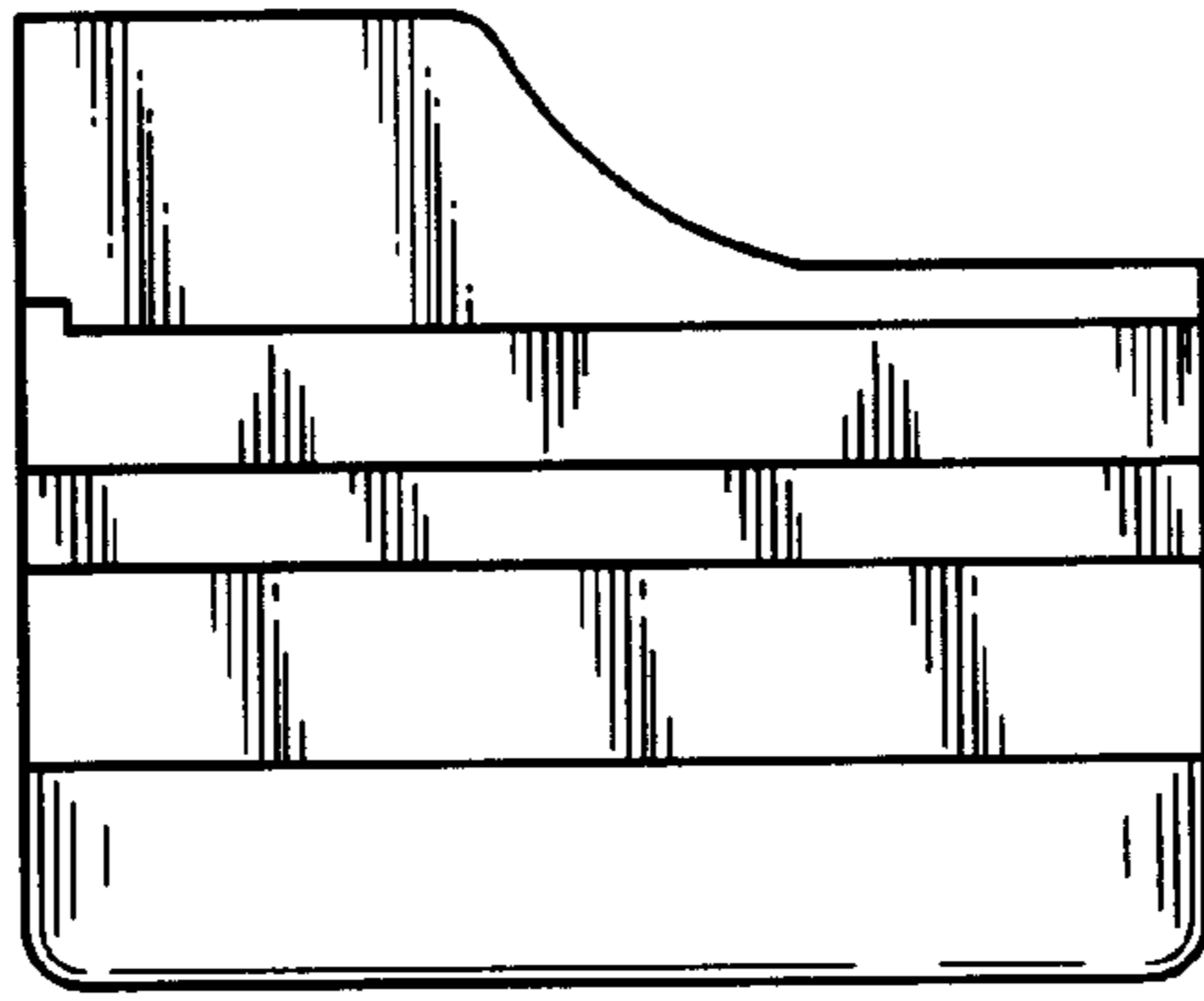


FIG. 4

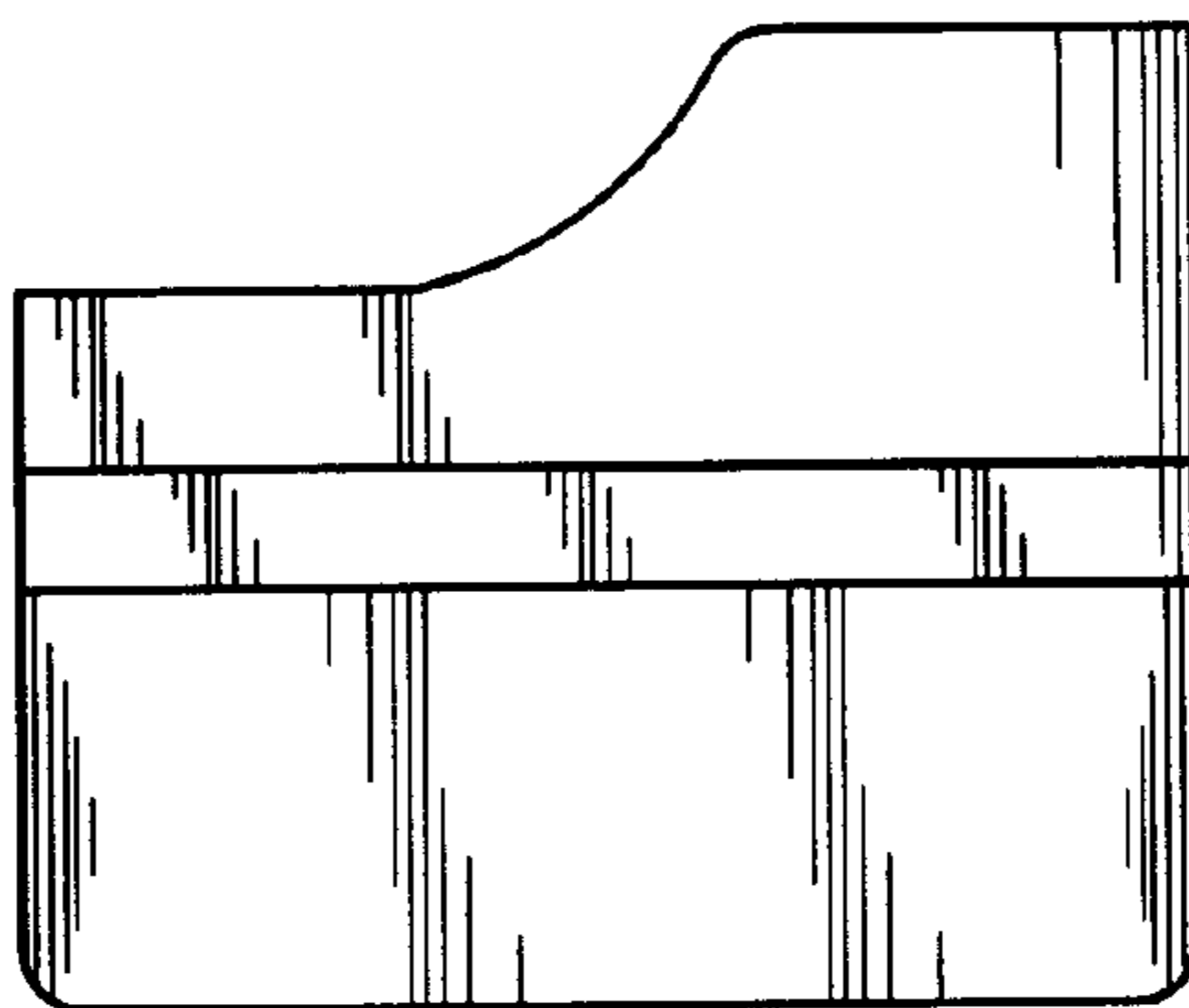


FIG. 5

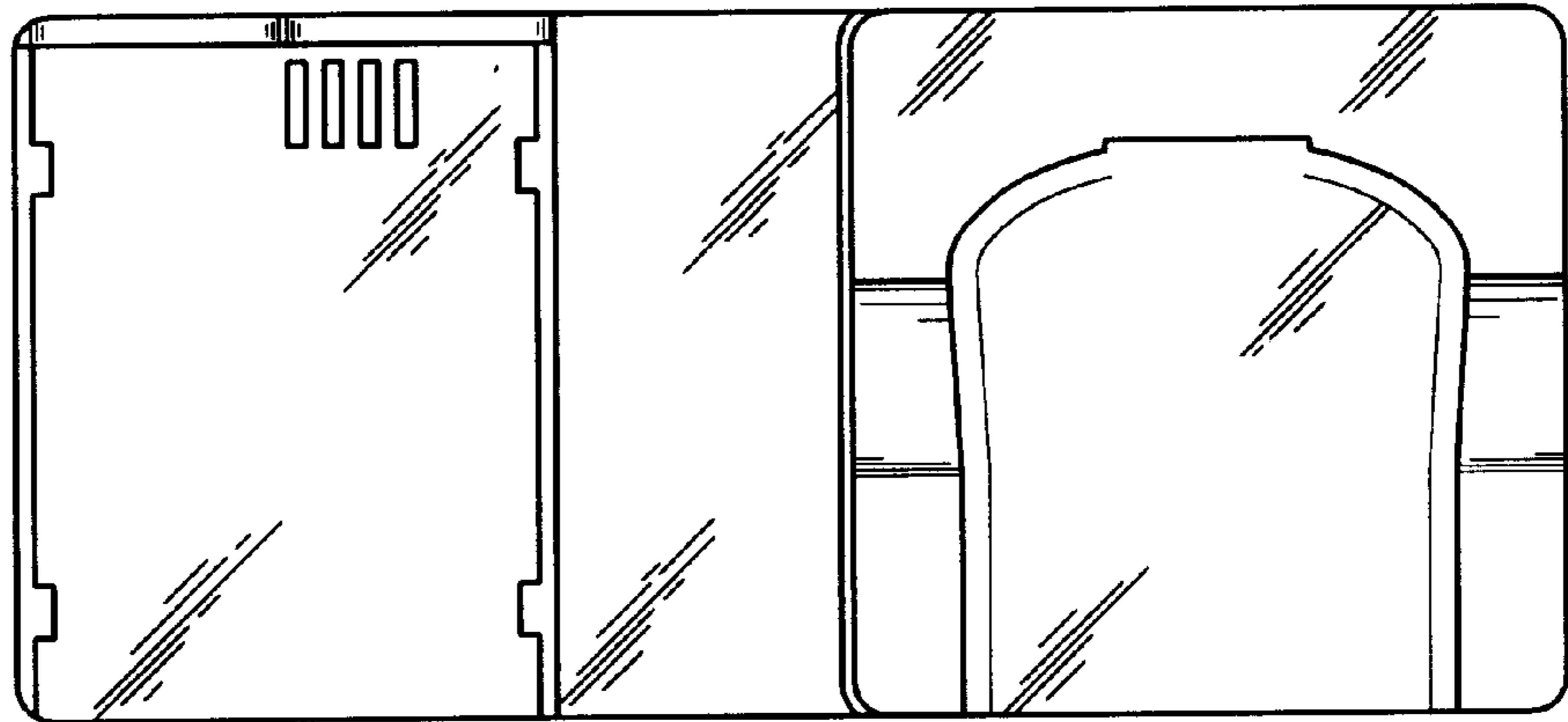


FIG. 6

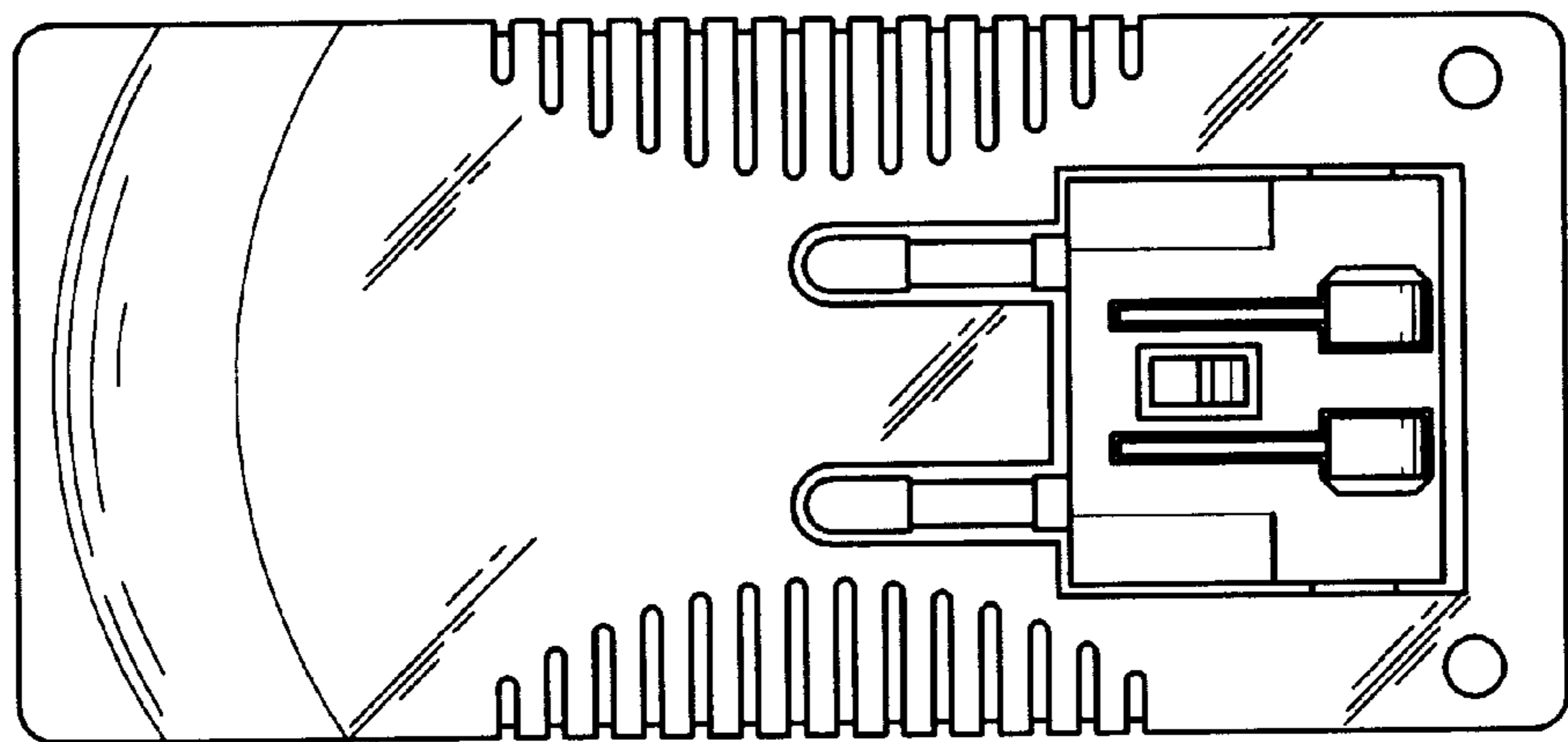


FIG. 7

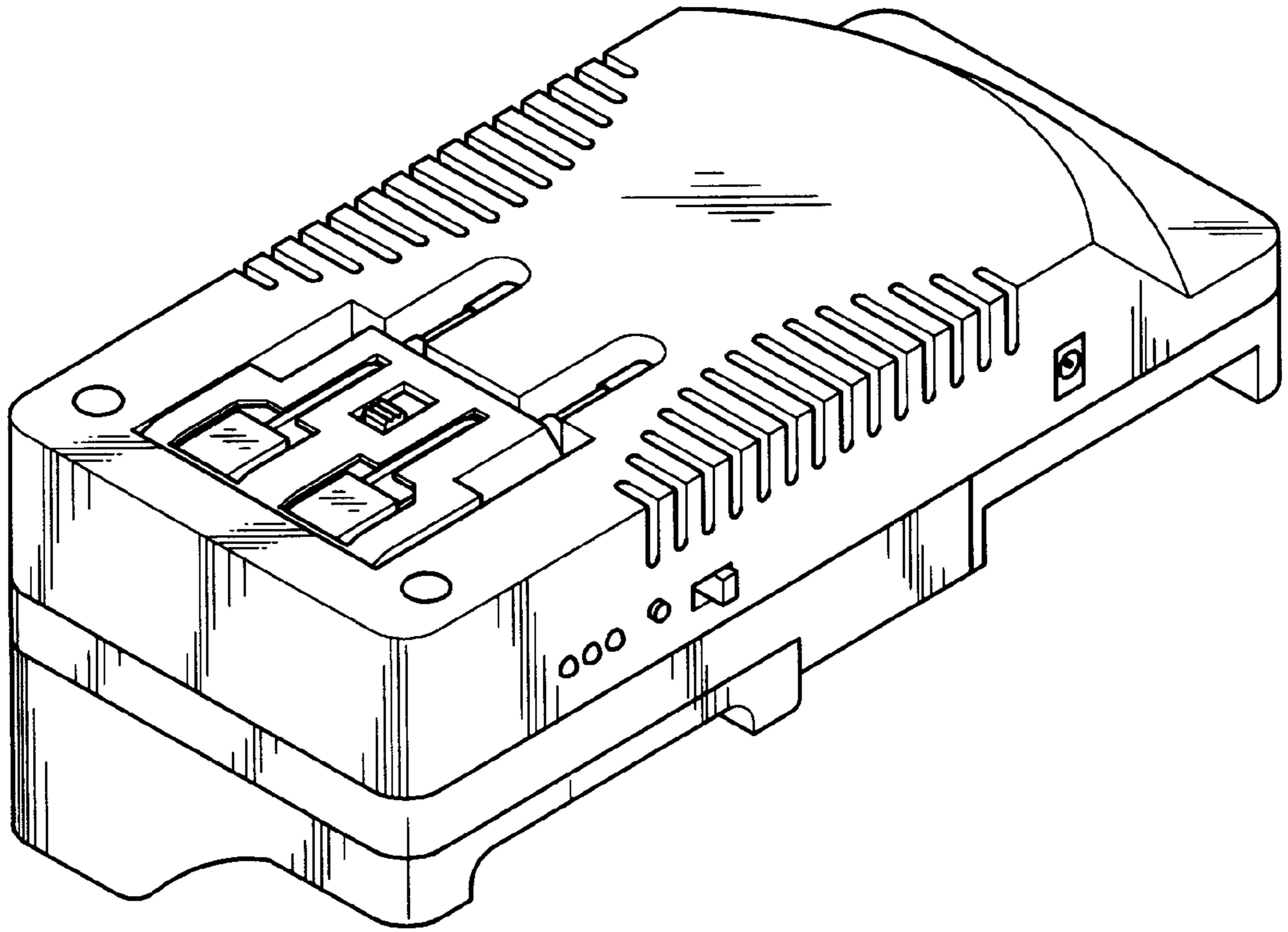


FIG. 8

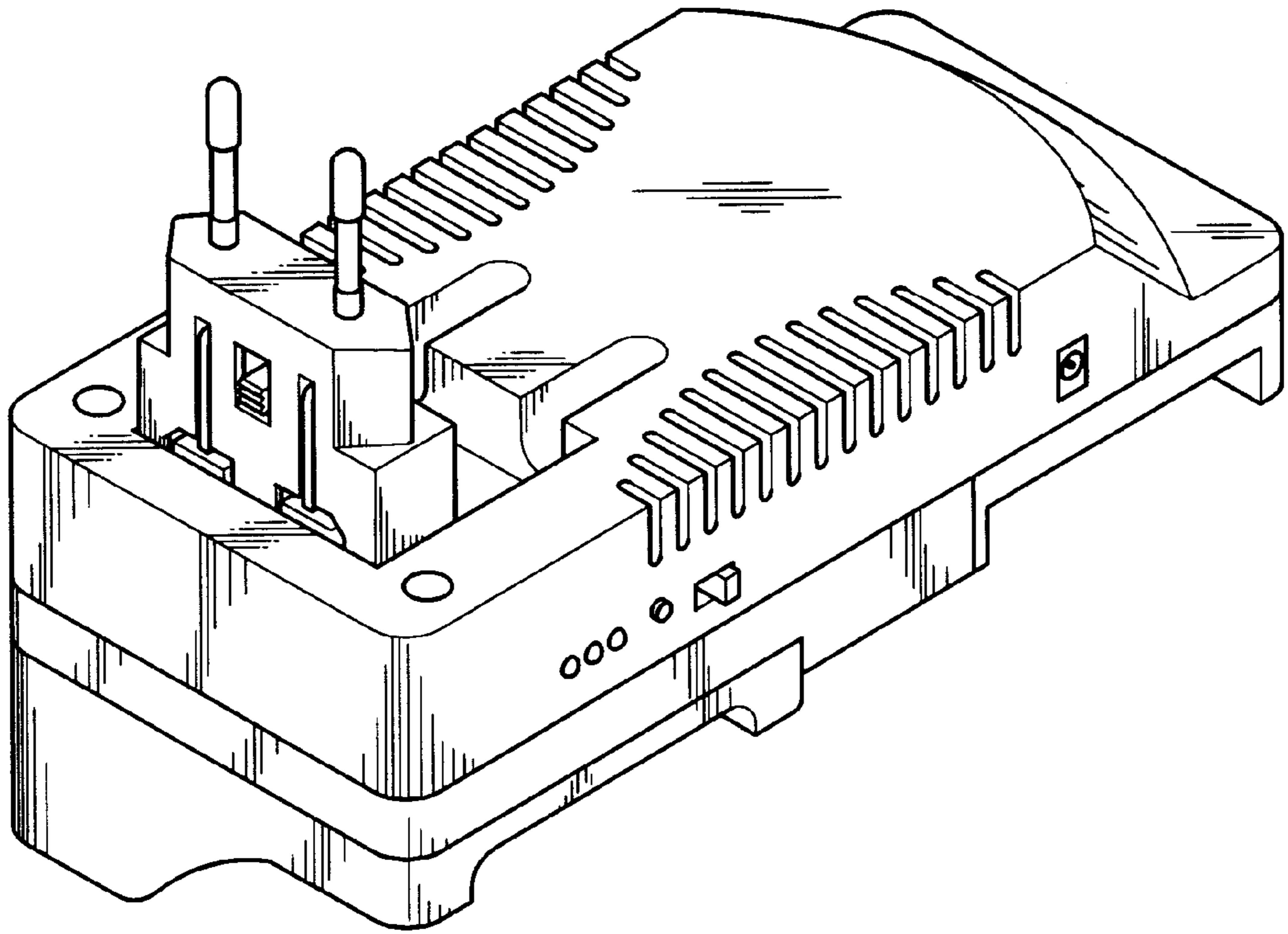


FIG. 9

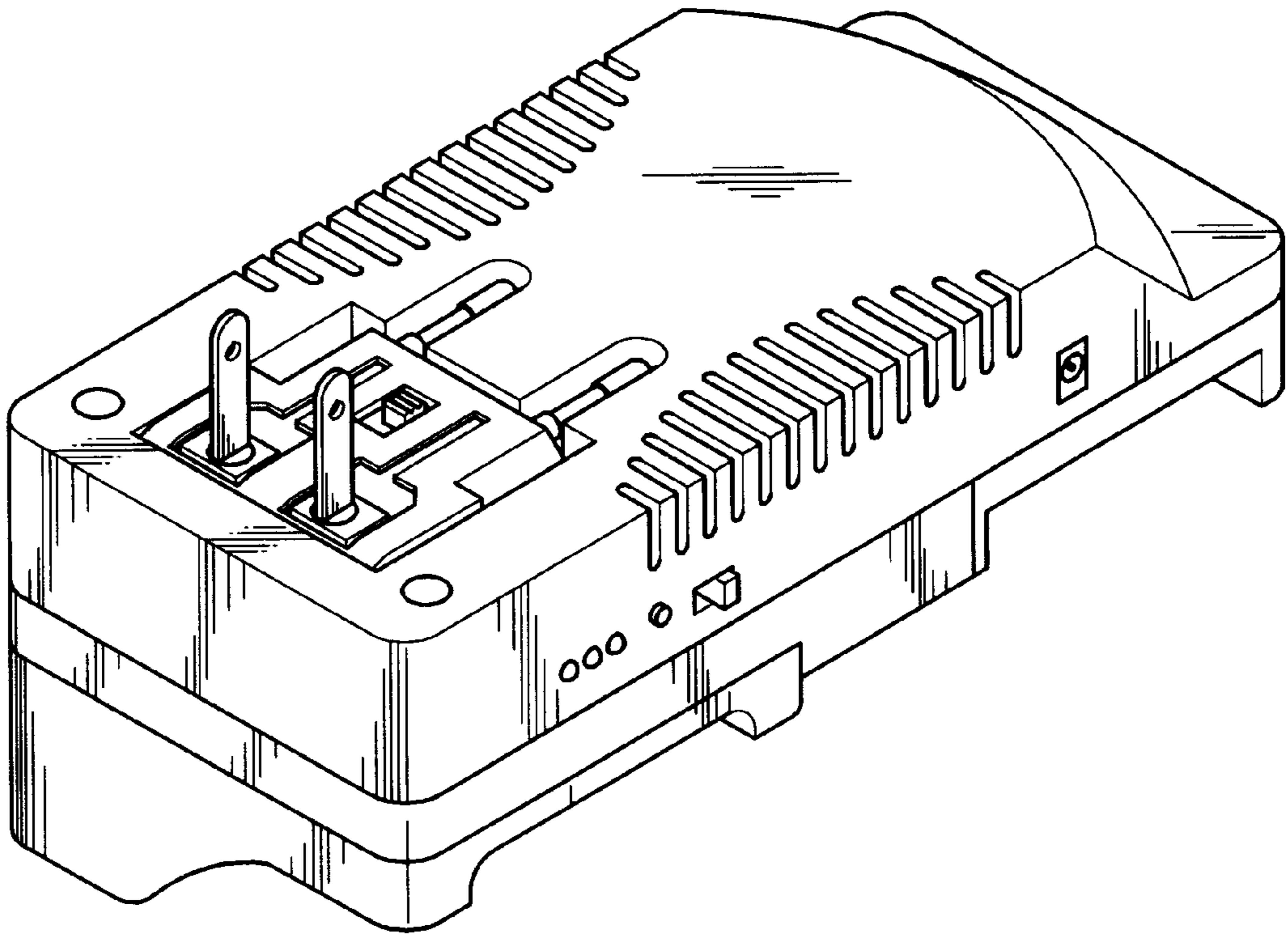


FIG. 10