



US00D427562S

United States Patent [19]
Phelan

[11] **Patent Number: Des. 427,562**
[45] **Date of Patent: ** Jul. 4, 2000**

[54] **AIRBOAT**

5,025,745 6/1991 Wine 114/289

[76] Inventor: **John M. Phelan**, 132 Rivercraft Dr.,
Norwich, N.Y. 13815

Primary Examiner—Kay H. Chin
Attorney, Agent, or Firm—Salzman & Levy

[**] Term: **14 Years**

[57] **CLAIM**

[21] Appl. No.: **29/092,252**

The ornamental design for an airboat, as shown and described.

[22] Filed: **Aug. 14, 1998**

DESCRIPTION

[51] **LOC (7) Cl.** **12-06**

[52] **U.S. Cl.** **D12/305; D12/300**

[58] **Field of Search** **D12/300-318;**
114/289, 67 A, 43; 440/37, 88, 89

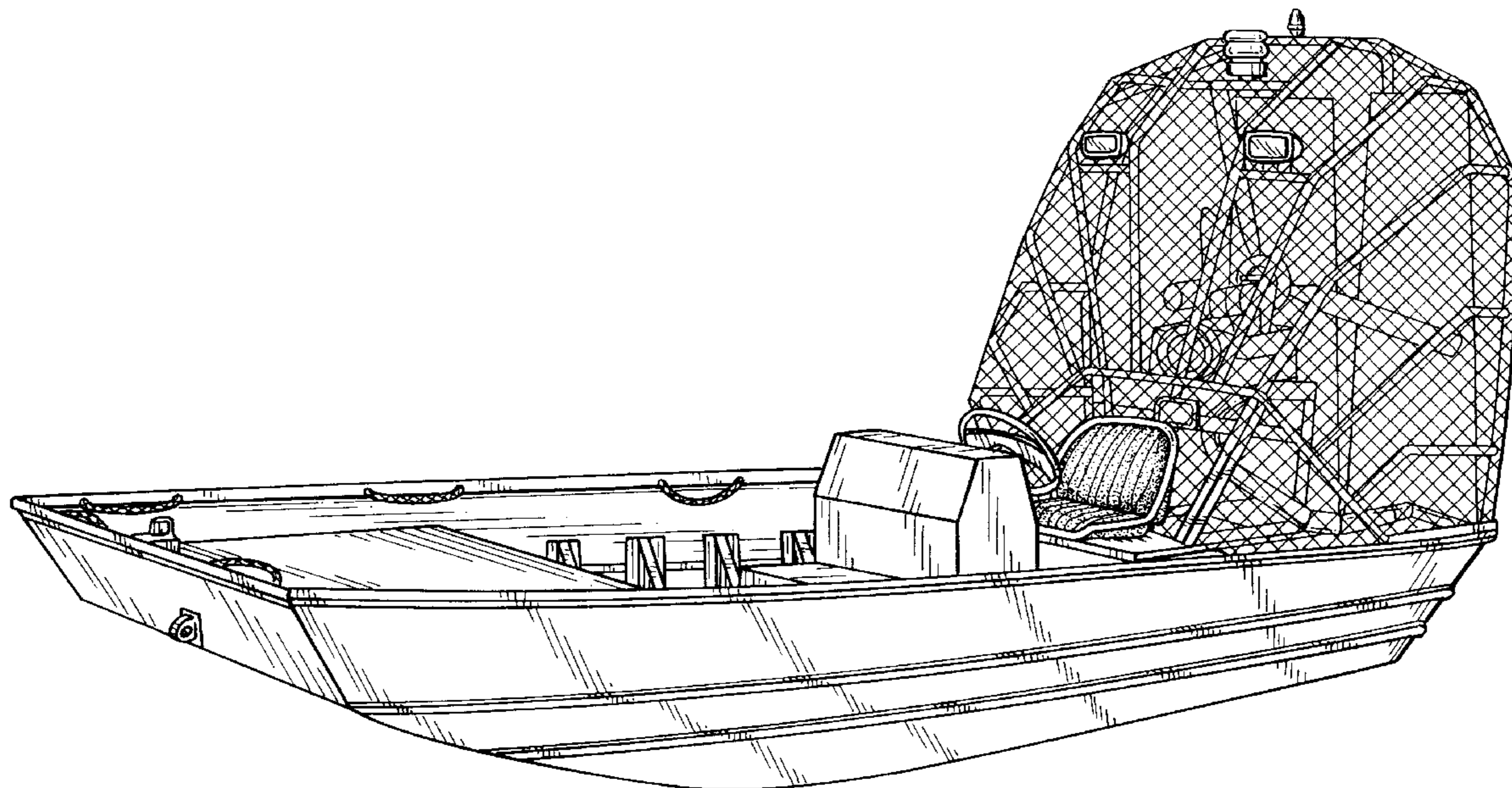
FIG. 1 is a front isometric view of the airboat;
FIG. 2 is a rear isometric view of the airboat;
FIG. 3 is a rear elevational view of the airboat;
FIG. 4 is a front elevational view of the airboat;
FIG. 5 is a left elevational view of the airboat;
FIG. 6 is a bottom elevational view of the airboat; and,
FIG. 7 is a top elevational view of the airboat.

[56] **References Cited**

U.S. PATENT DOCUMENTS

D. 235,198 5/1975 Preston D12/305

1 Claim, 6 Drawing Sheets



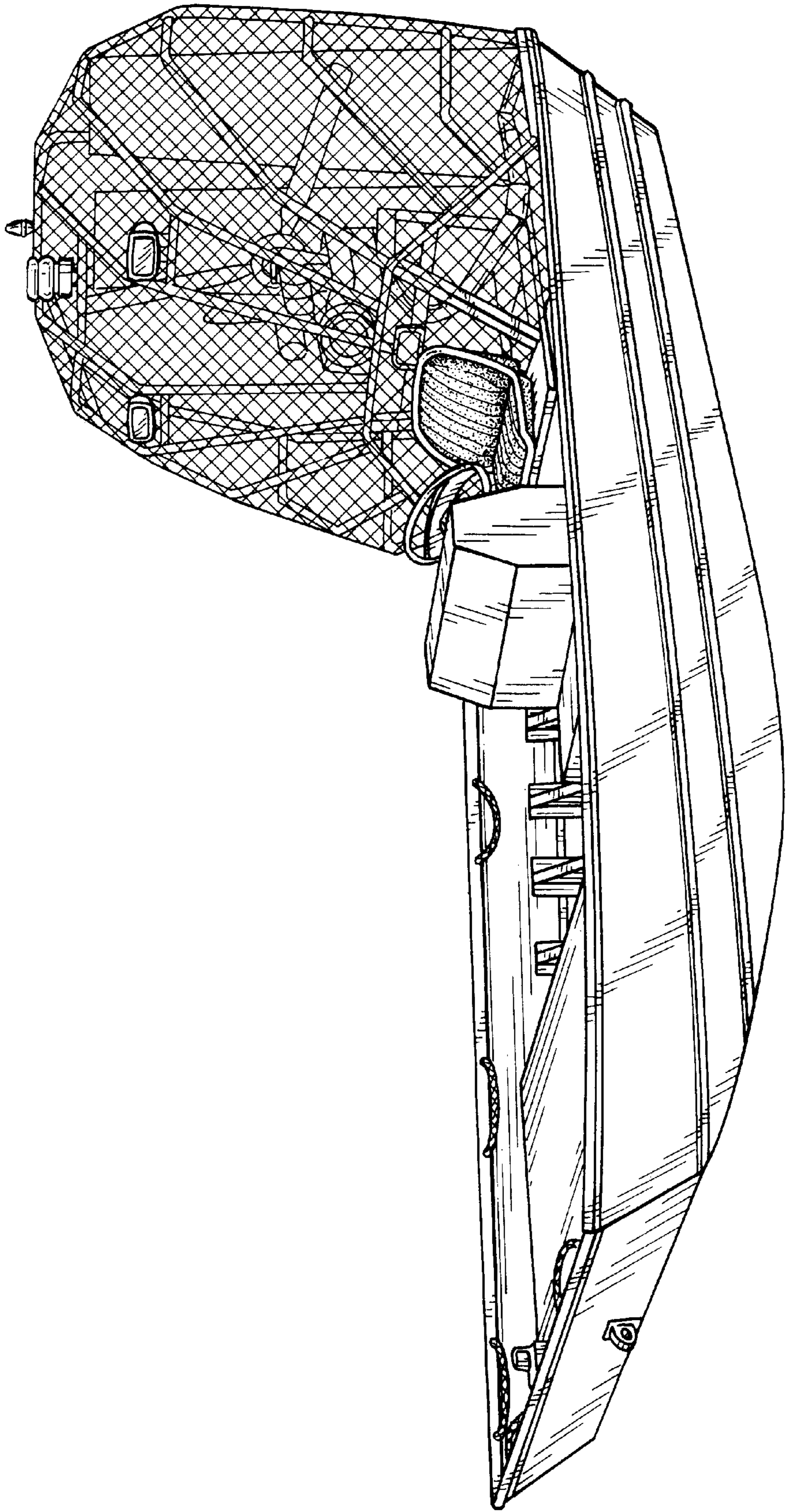


FIG. 1

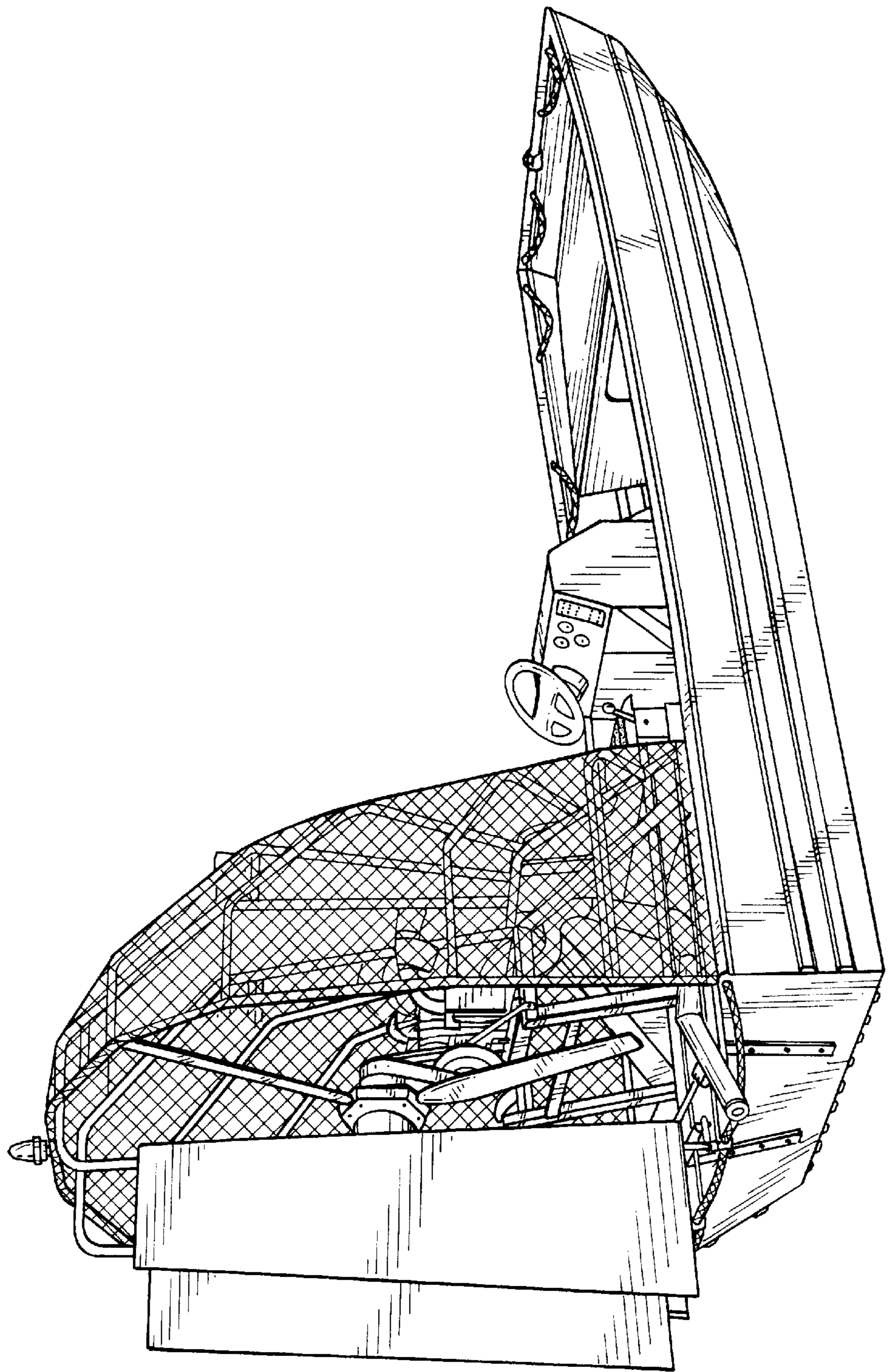


FIG. 2

FIG. 4

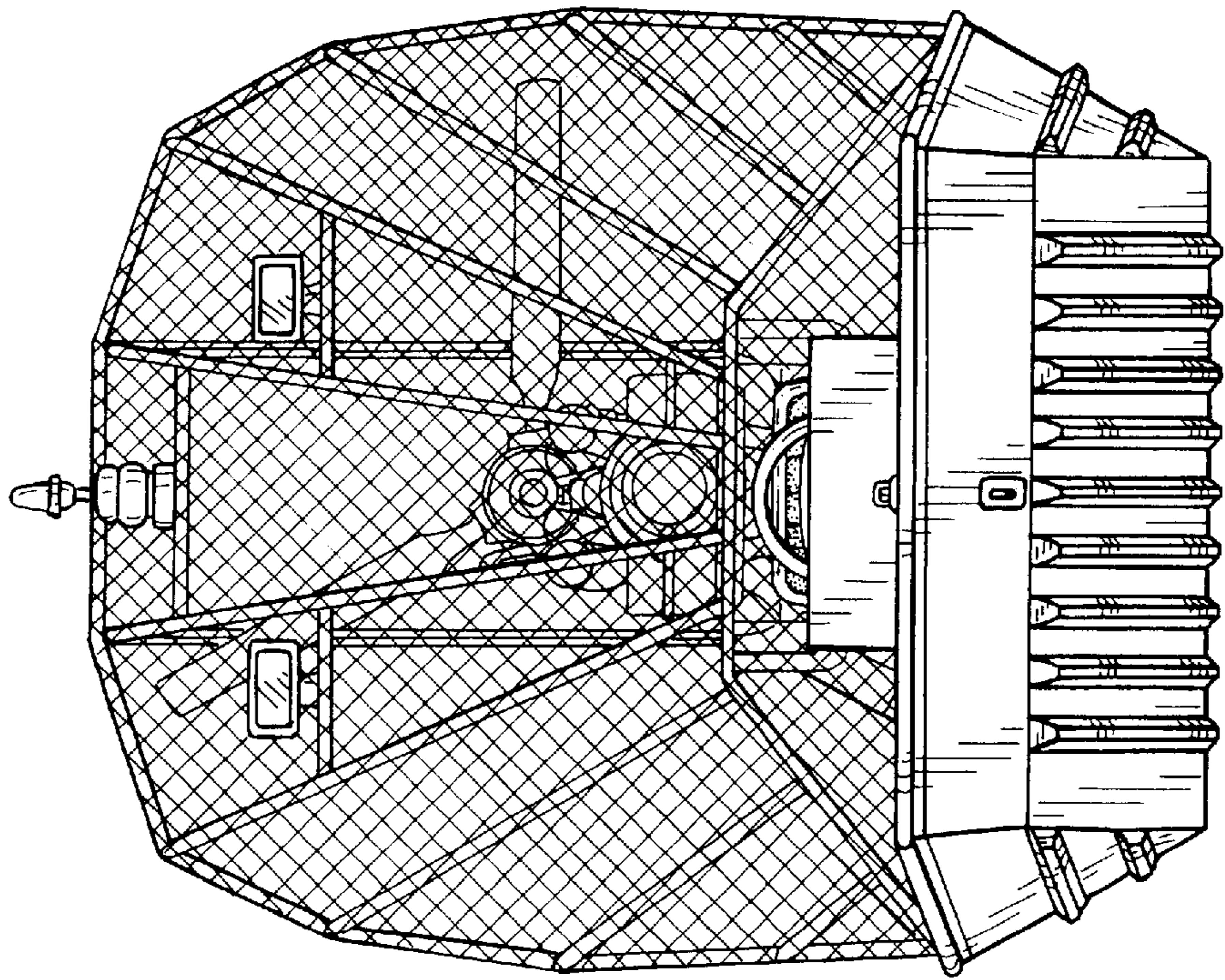
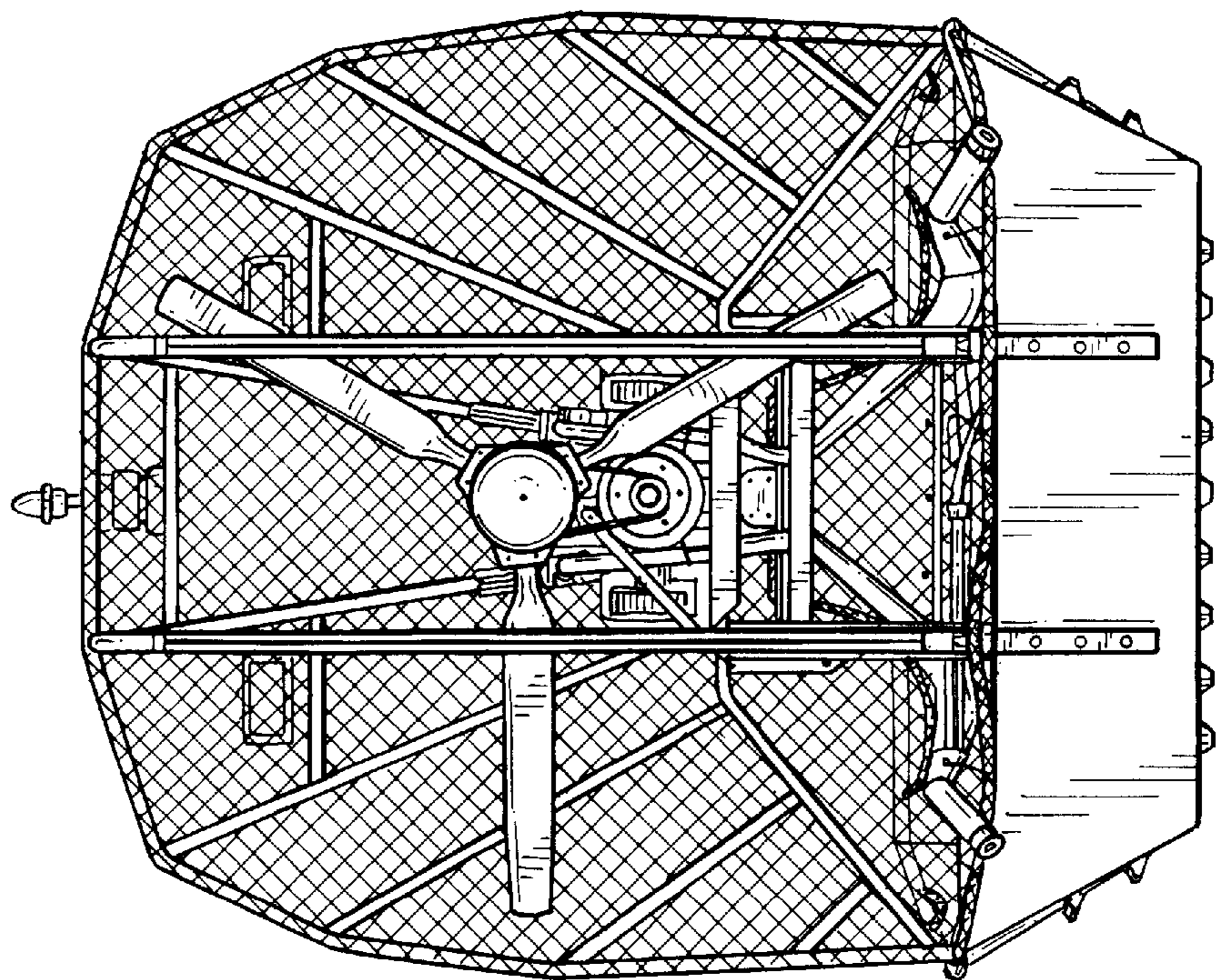


FIG. 3



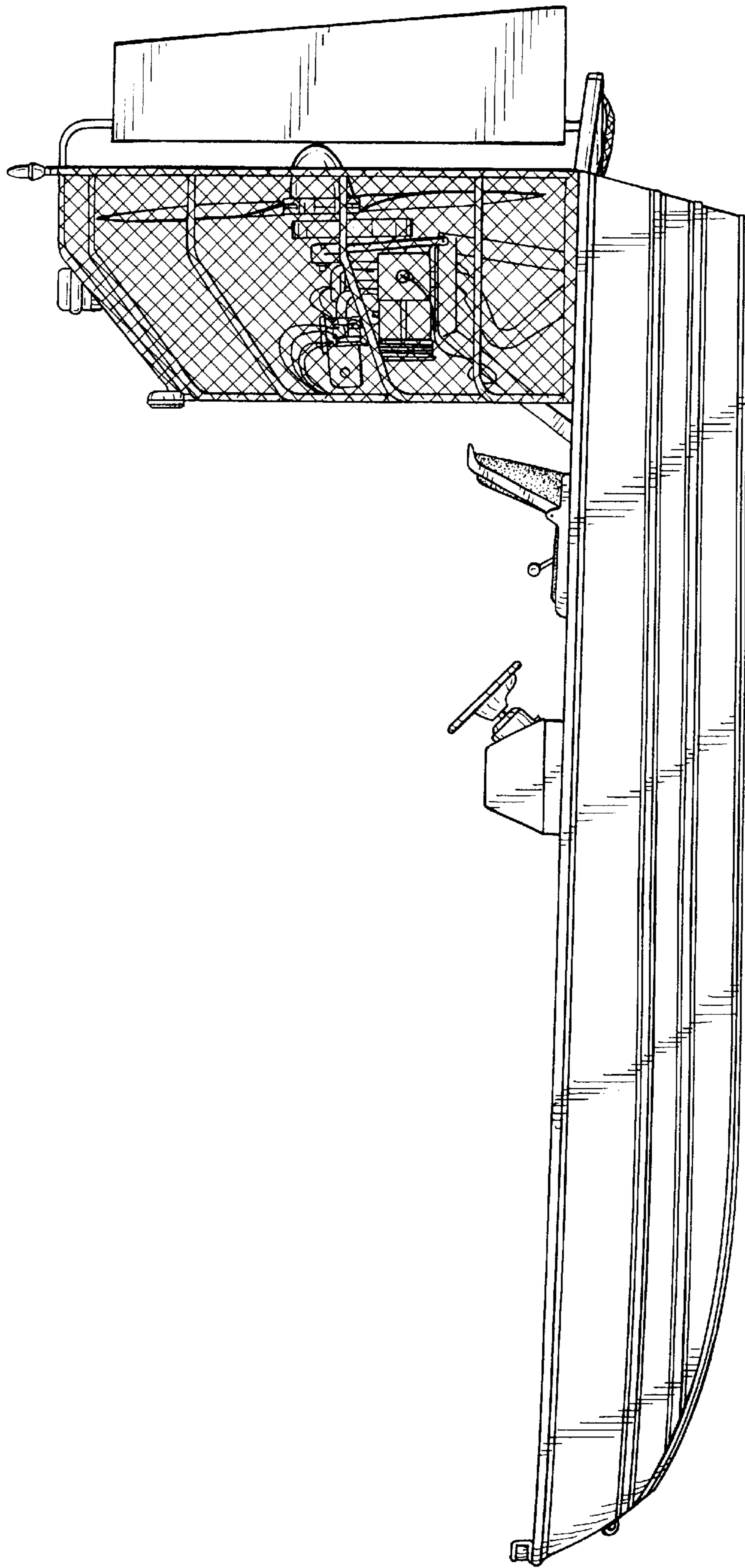
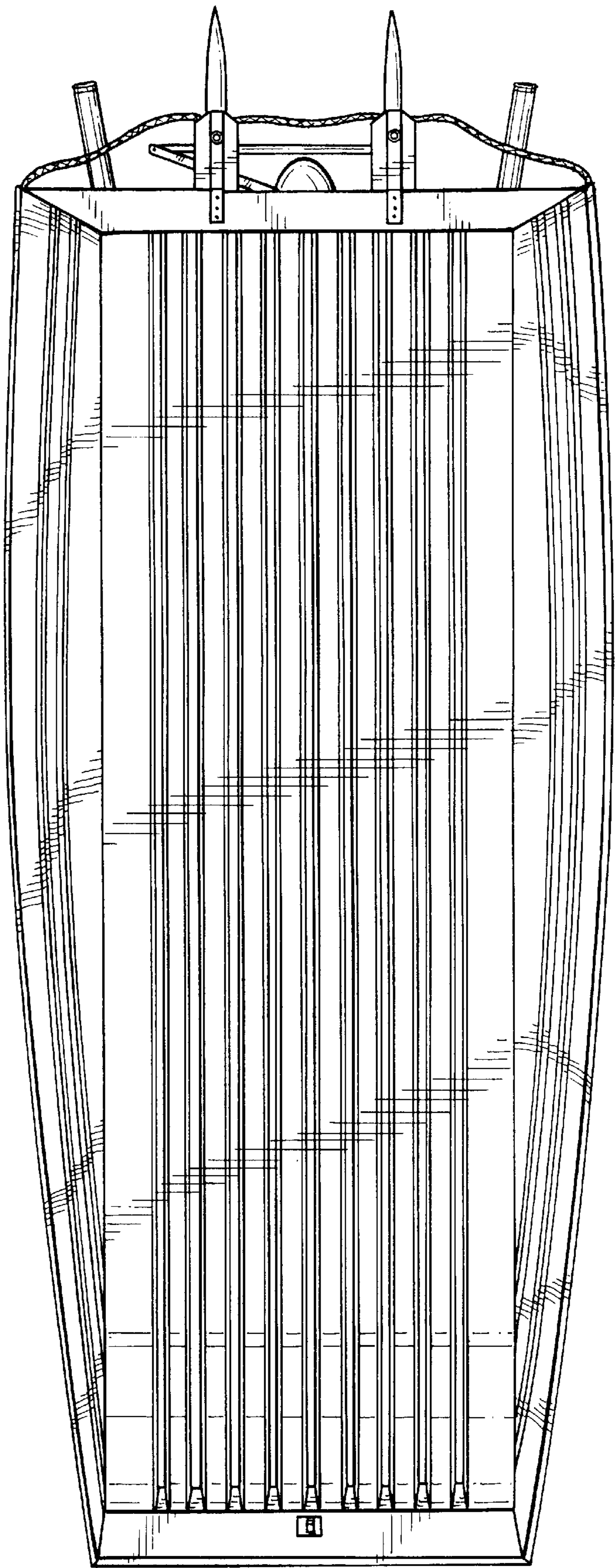


FIG. 5

FIG. 6



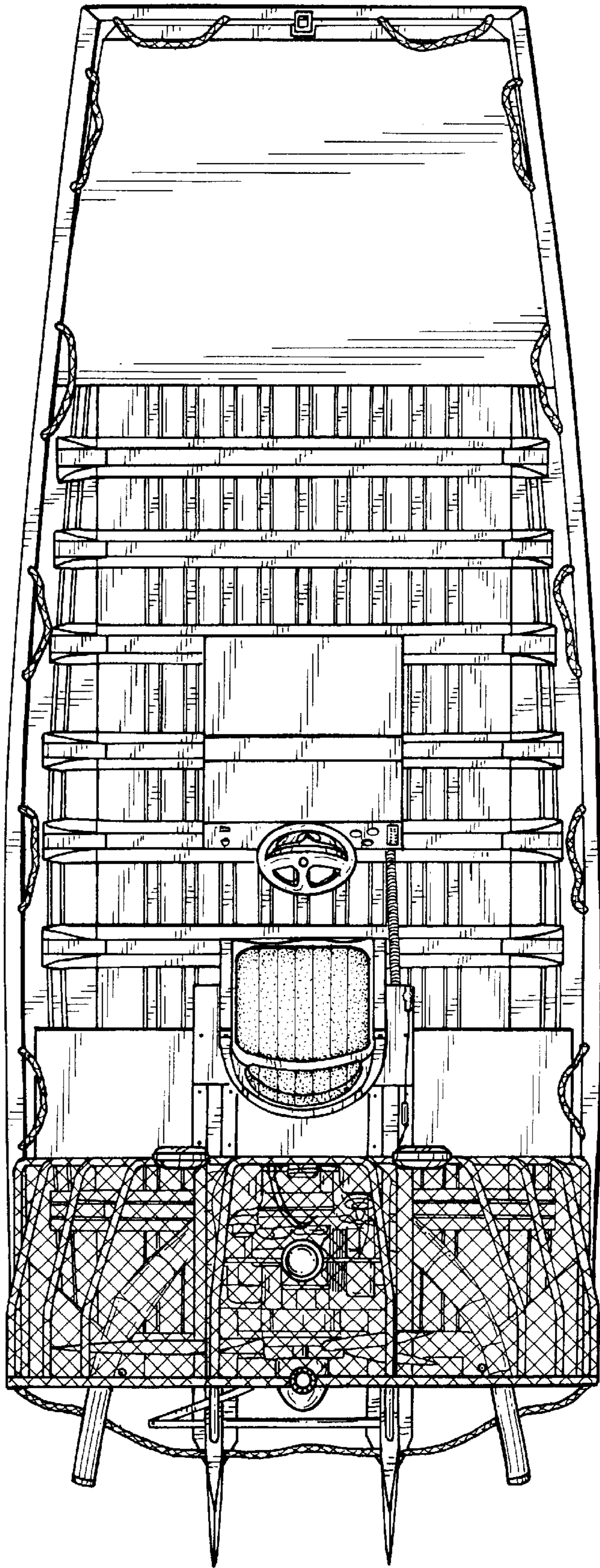


FIG. 7