



US00D427559S

United States Patent [19] Mele

[11] **Patent Number: Des. 427,559**
[45] **Date of Patent: ** Jul. 4, 2000**

[54] **MARINE ANCHOR WITH FOUR RADIAL BLADES**

4,409,923 10/1983 MacPherson 114/304

[76] Inventor: **Peter Mele**, P.O. Box 533, Crown Point, N.Y. 12928

Primary Examiner—Kay H. Chin

[**] Term: **14 Years**

[57] **CLAIM**

The ornamental design for a marine anchor with four radial blades, as shown.

[21] Appl. No.: **29/088,144**

[22] Filed: **May 15, 1998**

DESCRIPTION

[51] **LOC (7) Cl.** **12-16**

FIG. 1 is a side view, the opposite side being identical.

[52] **U.S. Cl.** **D12/215**

FIG. 2 is a top view, the bottom view being identical.

[58] **Field of Search** D12/215, 317;
114/294, 297, 298, 299, 301-304

FIG. 3 is a back view; and,

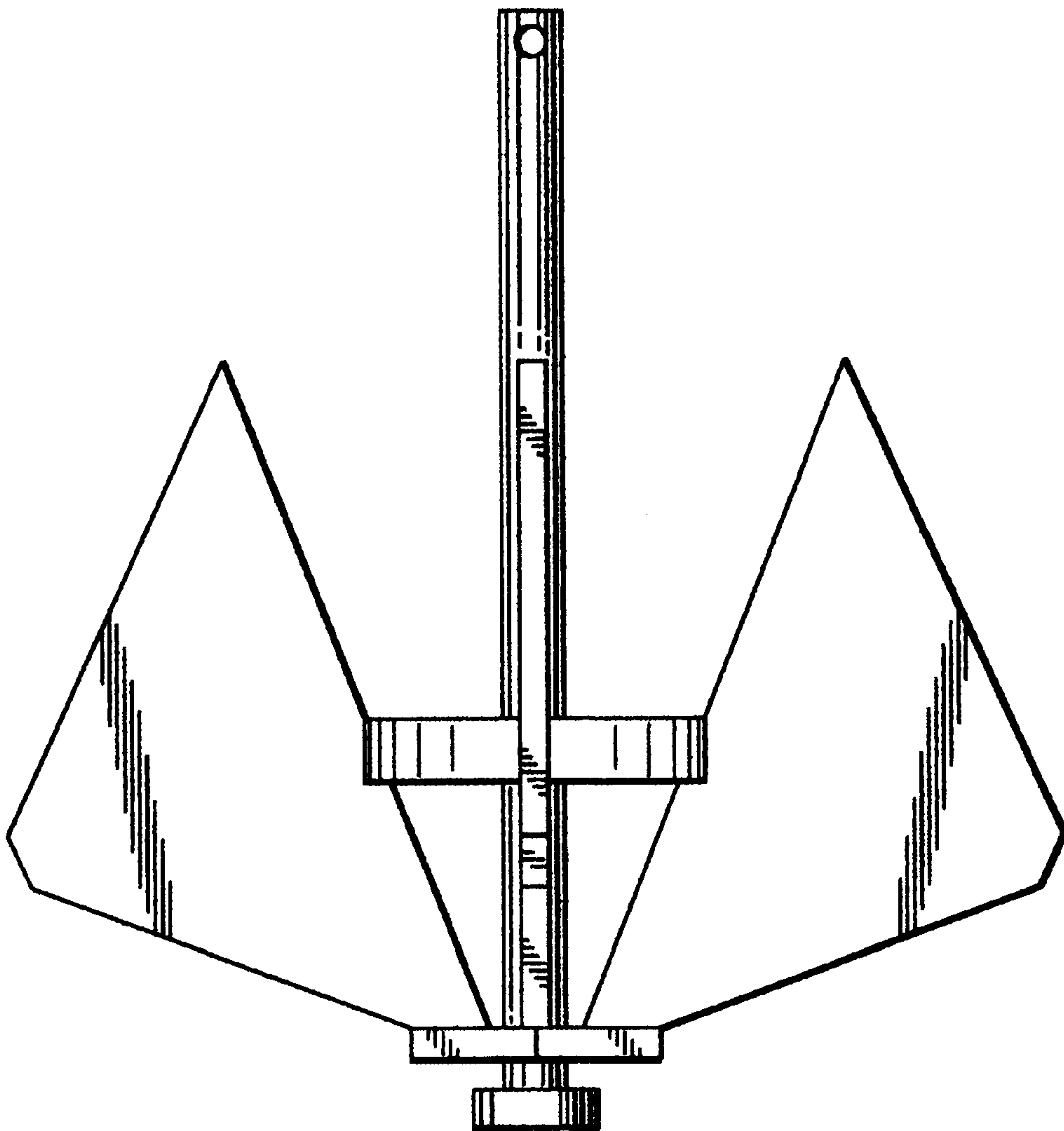
FIG. 4 is a front view.

[56] **References Cited**

U.S. PATENT DOCUMENTS

D. 387,322 12/1997 Mele D12/215

1 Claim, 2 Drawing Sheets



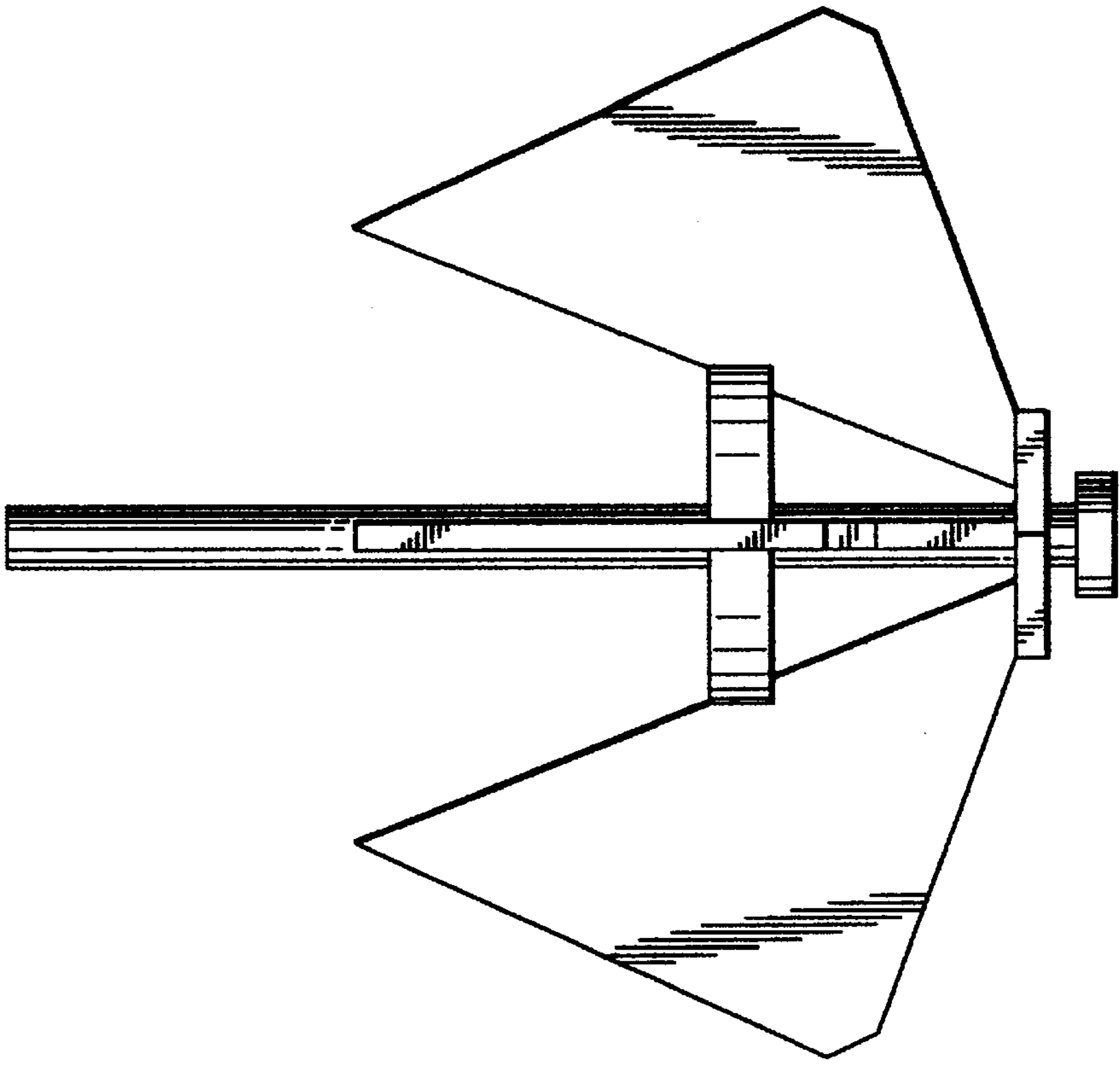


FIG. 2

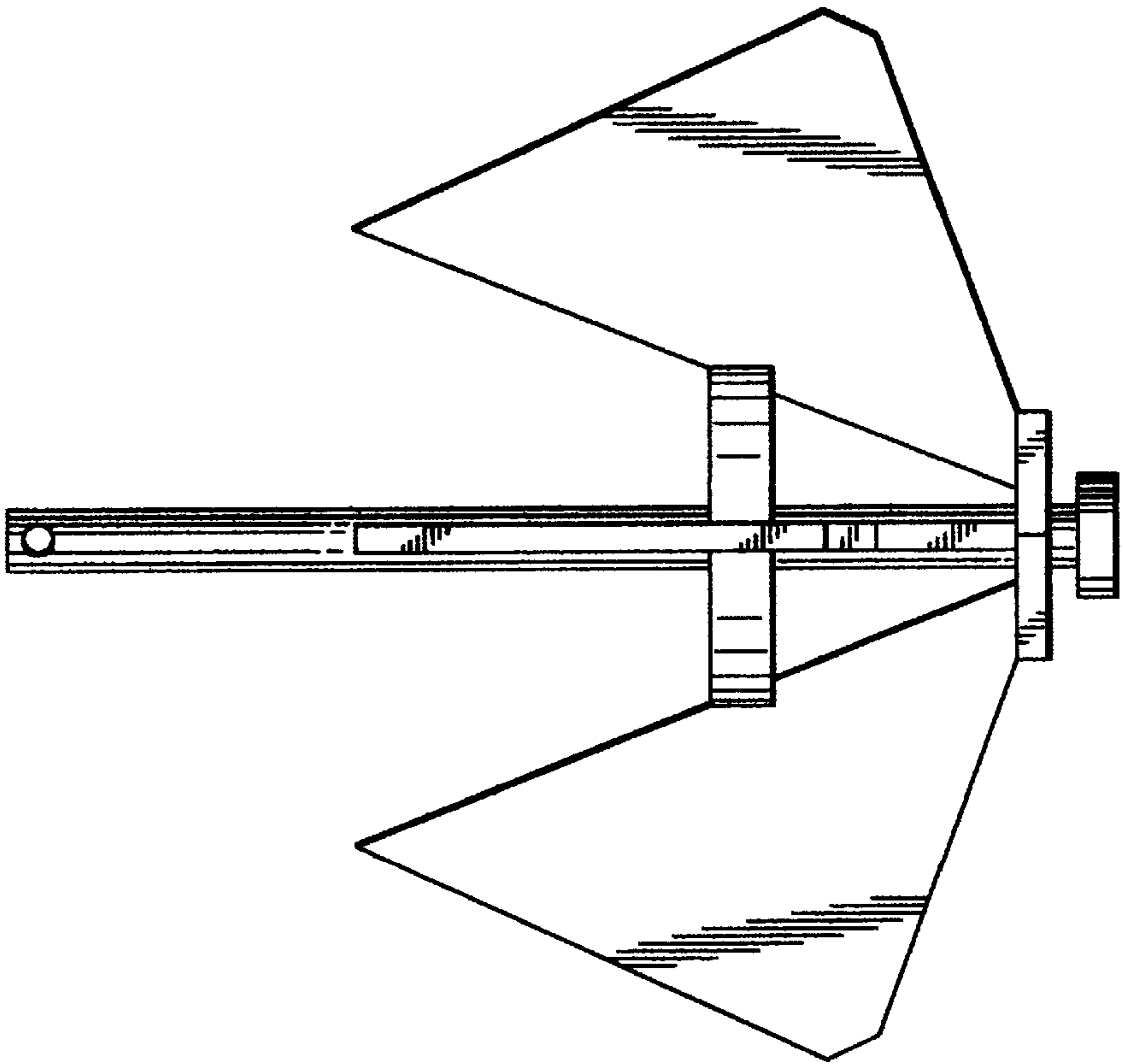


FIG. 1

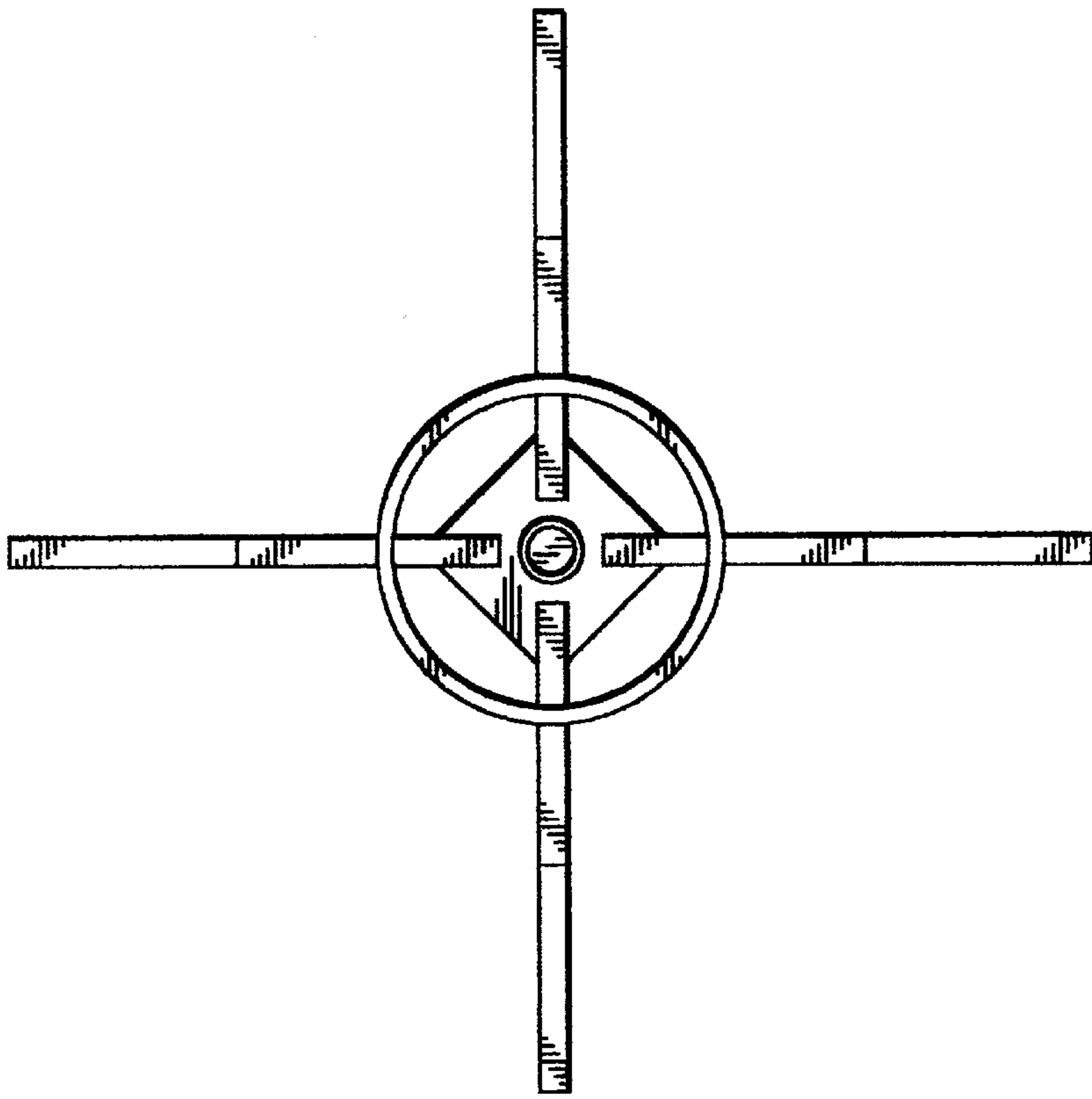


FIG. 4

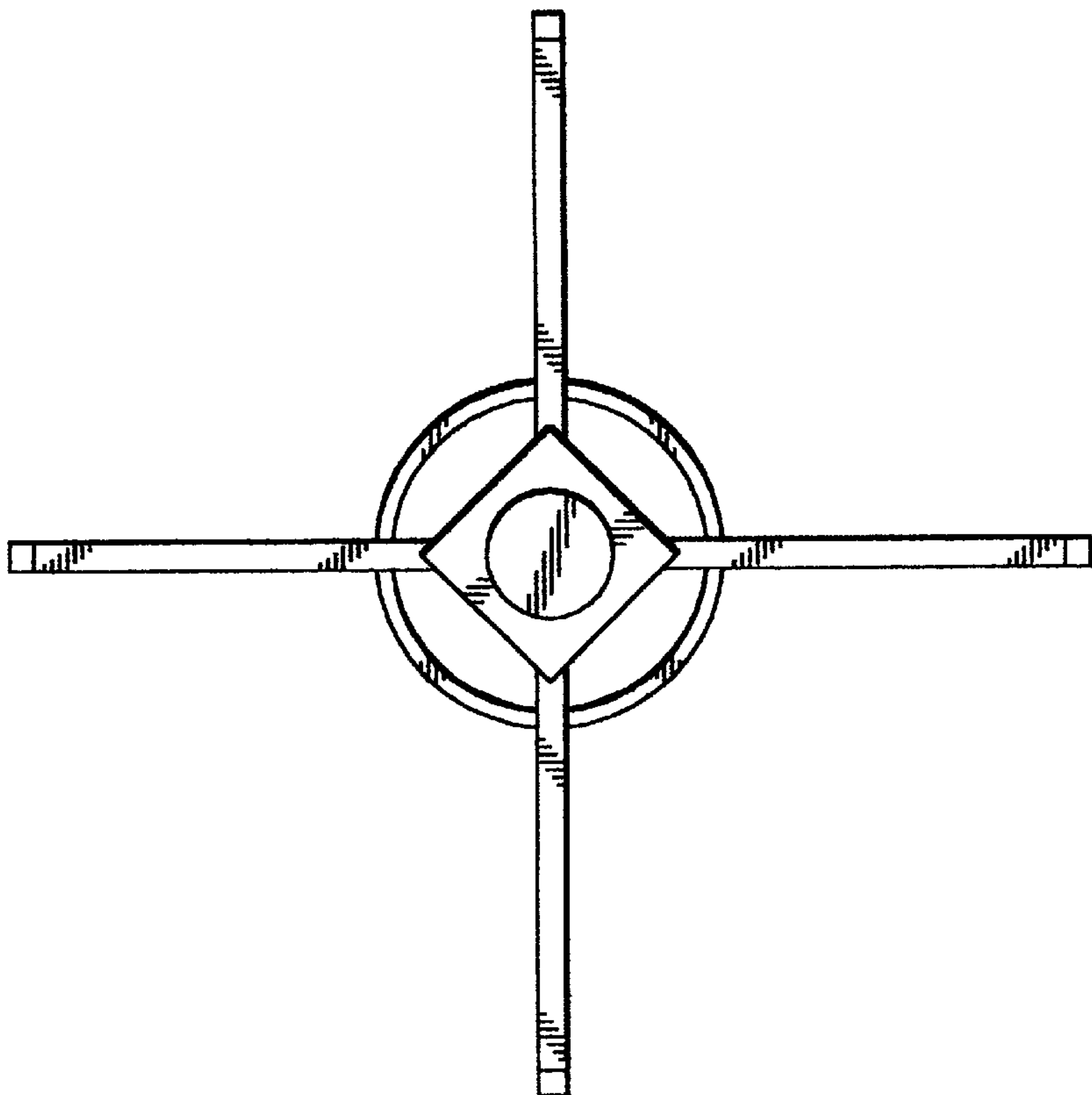


FIG. 3