



US00D427555S

United States Patent [19] Hall

[11] **Patent Number: Des. 427,555**
[45] **Date of Patent: ** Jul. 4, 2000**

[54] **FRONT FACE FOR A VEHICLE WHEEL**

[75] Inventor: **Mark D. Hall**, Rochester Hills, Mich.

[73] Assignee: **Chrysler Corporation**, Auburn Hills, Mich.

[**] Term: **14 Years**

[21] Appl. No.: **29/096,846**

[22] Filed: **Nov. 20, 1998**

[51] **LOC (7) Cl.** **12-16**

[52] **U.S. Cl.** **D12/209**

[58] **Field of Search** D12/204-213;
301/64.1, 65, 37.1

[56] **References Cited**

U.S. PATENT DOCUMENTS

D. 361,547	8/1995	Weld	D12/211
D. 367,031	2/1996	Hubbach	D12/209
D. 367,635	3/1996	Odette	D12/209
D. 367,637	3/1996	Hall	D12/209
D. 368,464	4/1996	Morley et al.	D12/209
D. 368,885	4/1996	Wagner	D12/209
D. 375,716	11/1996	Dehner	D12/209

D. 379,612	6/1997	Honarkhah	D12/209
D. 380,432	7/1997	Hettler	D12/209
D. 384,320	9/1997	Bhambra	D12/209
D. 385,524	10/1997	Nagashima	D12/209
D. 391,215	2/1998	Cervati	D12/209
D. 392,611	3/1998	Echazabal et al.	D12/211
D. 394,038	5/1998	Braun	D12/211
D. 395,863	7/1998	Sacco et al.	D12/211
D. 398,573	9/1998	Cattaneo	D12/211
D. 398,574	9/1998	McMath	D12/211
D. 403,648	1/1999	Feriero	D12/209

Primary Examiner—Doris V. Coles
Assistant Examiner—Stacia Sinuik
Attorney, Agent, or Firm—Mark P. Calcaterra

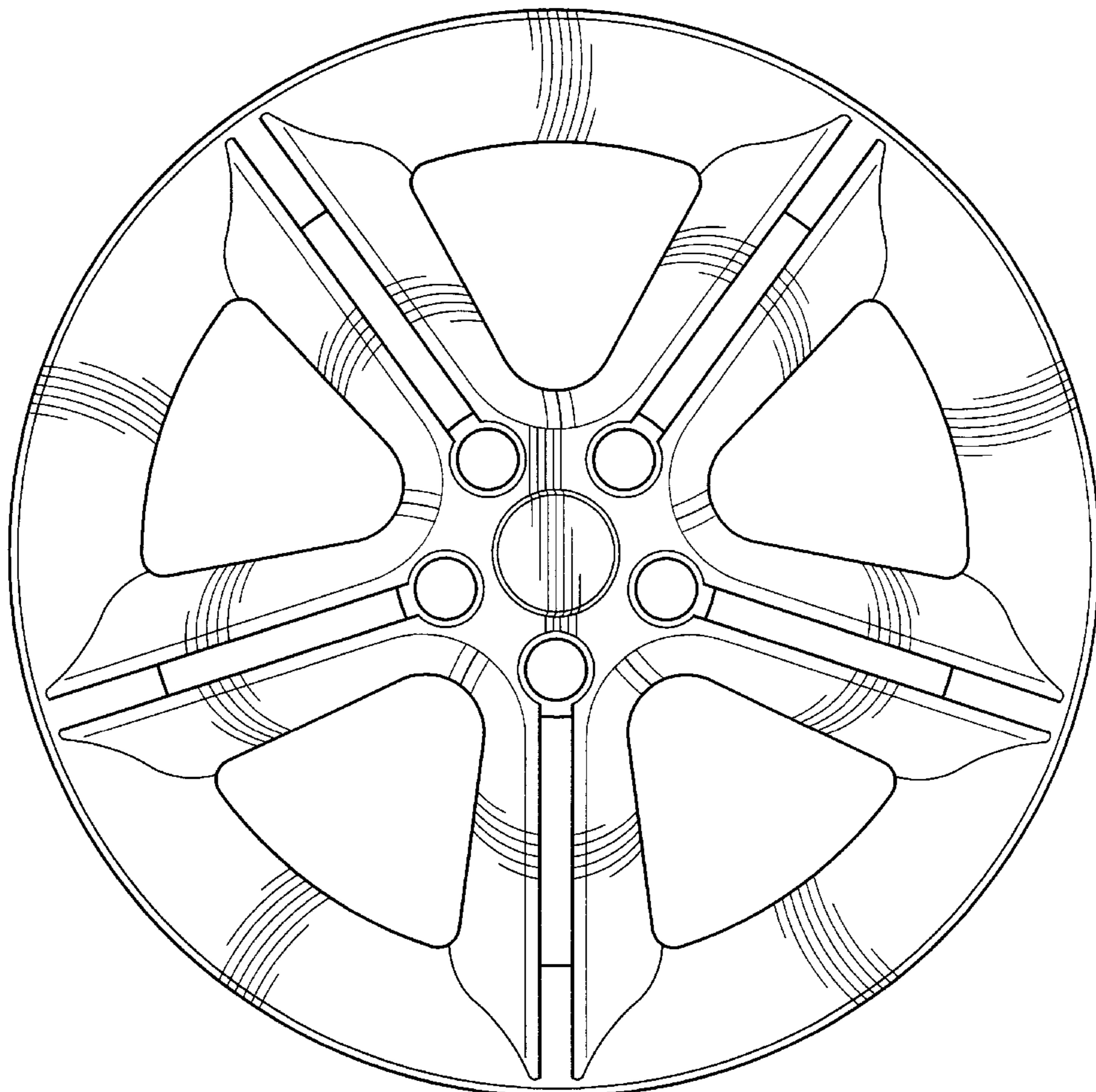
[57] **CLAIM**

The ornamental design for a front face for a vehicle wheel, as shown and described.

DESCRIPTION

FIG. 1 is a front perspective view of a front face for a vehicle wheel, showing my new design; and, FIG. 2 is a reduced front elevational view thereof. The broken line showing of environment is for illustrative purposes only and forms no part of the claimed design.

1 Claim, 2 Drawing Sheets



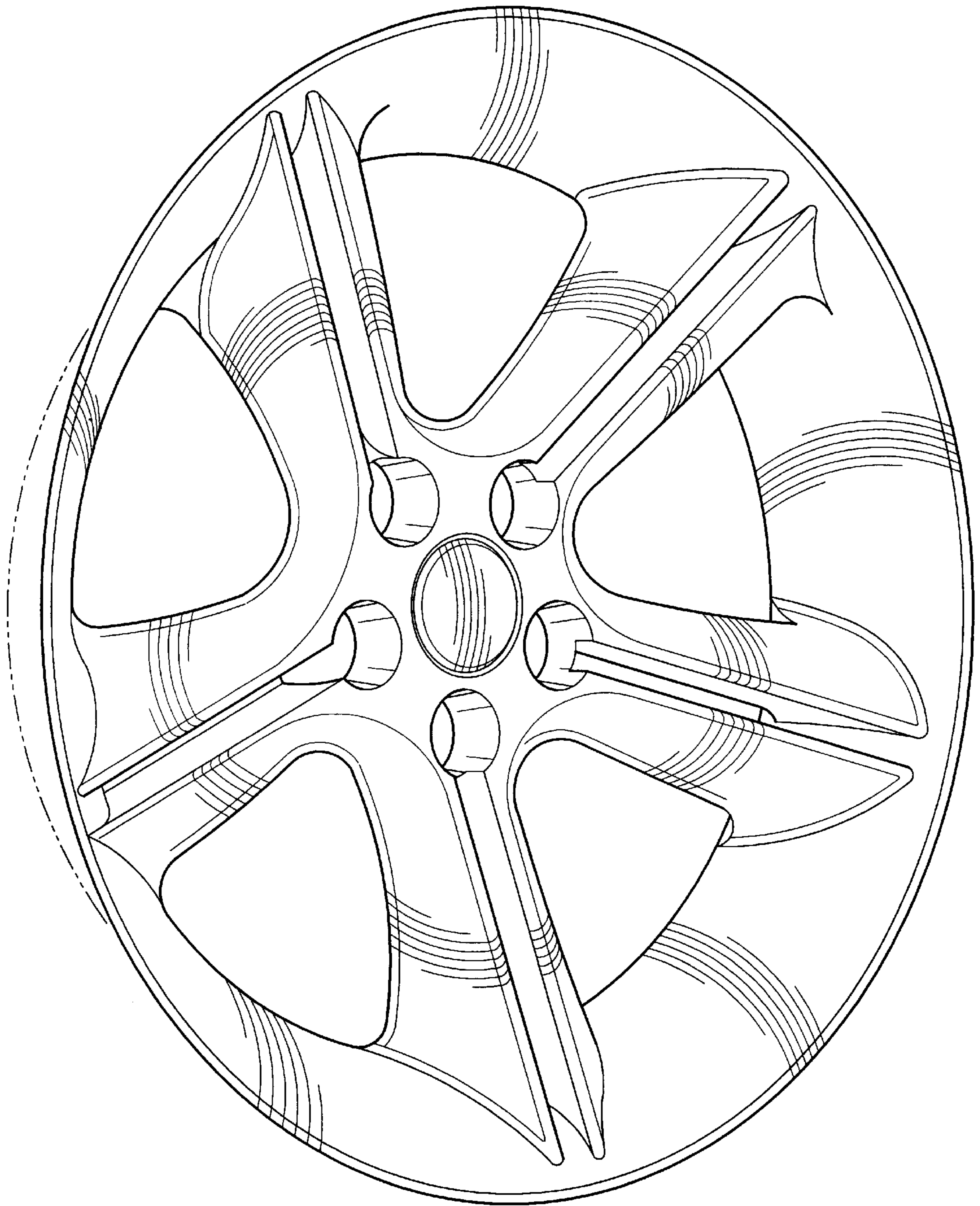


Fig-1

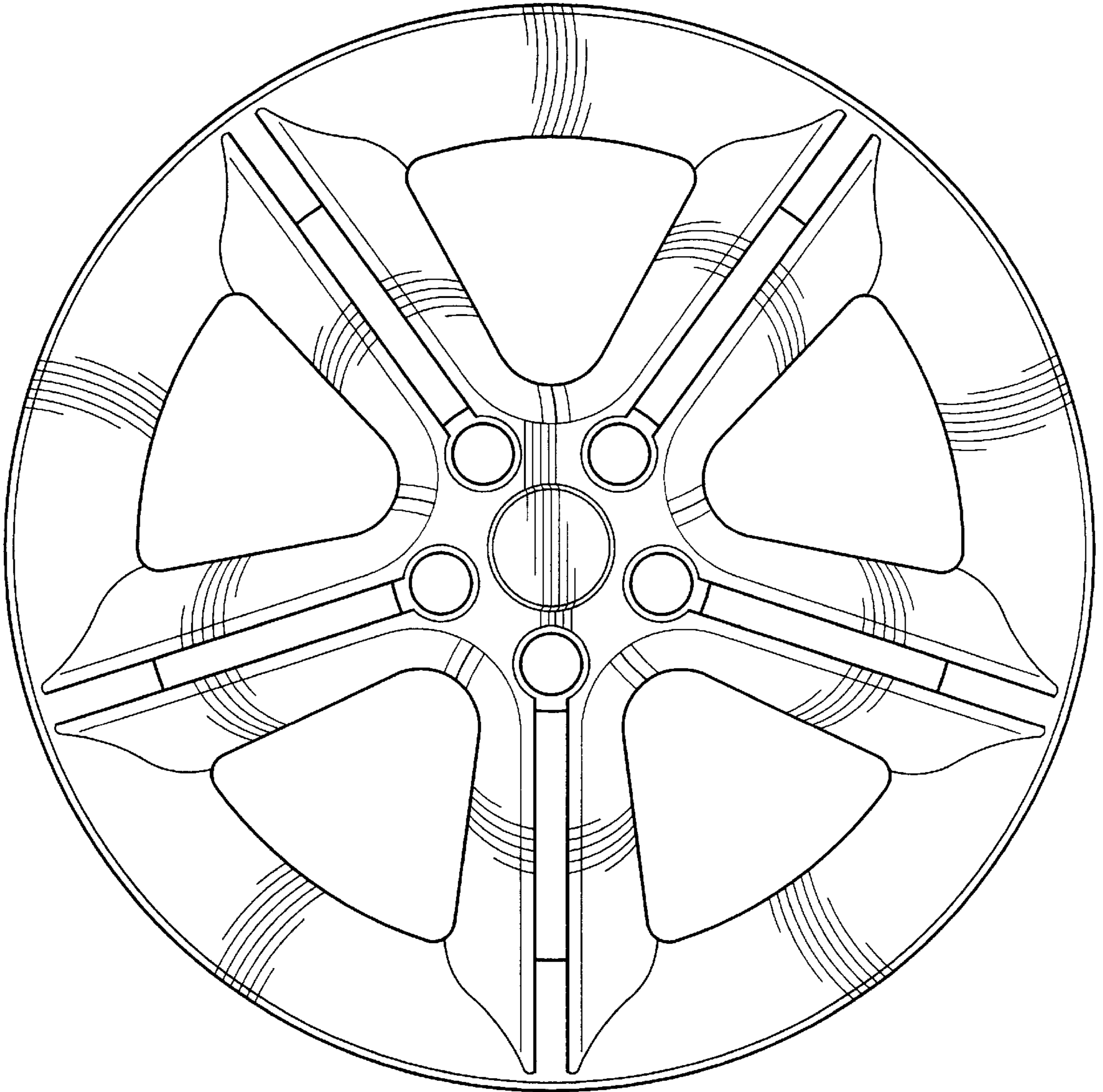


Fig-2