



US00D427552S

United States Patent [19] Young

[11] **Patent Number: Des. 427,552**
[45] **Date of Patent: ** Jul. 4, 2000**

[54] **TIRE TREAD**

[75] Inventor: **Austin Gale Young**, Copley, Ohio

[73] Assignee: **The Goodyear Tire & Rubber Company**, Akron, Ohio

[**] Term: **14 Years**

[21] Appl. No.: **29/109,815**

[22] Filed: **Aug. 24, 1999**

[51] **LOC (7) Cl.** **12-15**

[52] **U.S. Cl.** **D12/147; D12/143**

[58] **Field of Search** **D12/138-152;**
152/209.1, 209.8, 209.9, 209.11, 209.13,
209.28, 900, 901, 902, 903

[56] **References Cited**

U.S. PATENT DOCUMENTS

D. 283,116	3/1986	Nakatani	D12/147
D. 303,944	10/1989	Himuro et al.	D12/146
D. 308,188	5/1990	Hinrichsen et al.	D12/146
D. 326,071	5/1992	Enoki et al.	D12/146
D. 338,178	8/1993	Yamashita	D12/141
D. 338,435	8/1993	Yamashita	D12/141
D. 347,818	6/1994	Loser et al.	D12/147
D. 405,734	2/1999	Robert et al.	D12/147

D. 411,152	6/1999	Hagmaier et al.	D12/147
D. 411,820	7/1999	Hagmaier et al.	D12/146
5,160,385	11/1992	Goto et al.	152/209 R

OTHER PUBLICATIONS

Goodyear Wrangler Aquatred Aquachannel Tire, Goodyear Light Truck Tire Brochure, Jan. 1996.

Primary Examiner—Robert M. Spear
Attorney, Agent, or Firm—T P Lewandowski

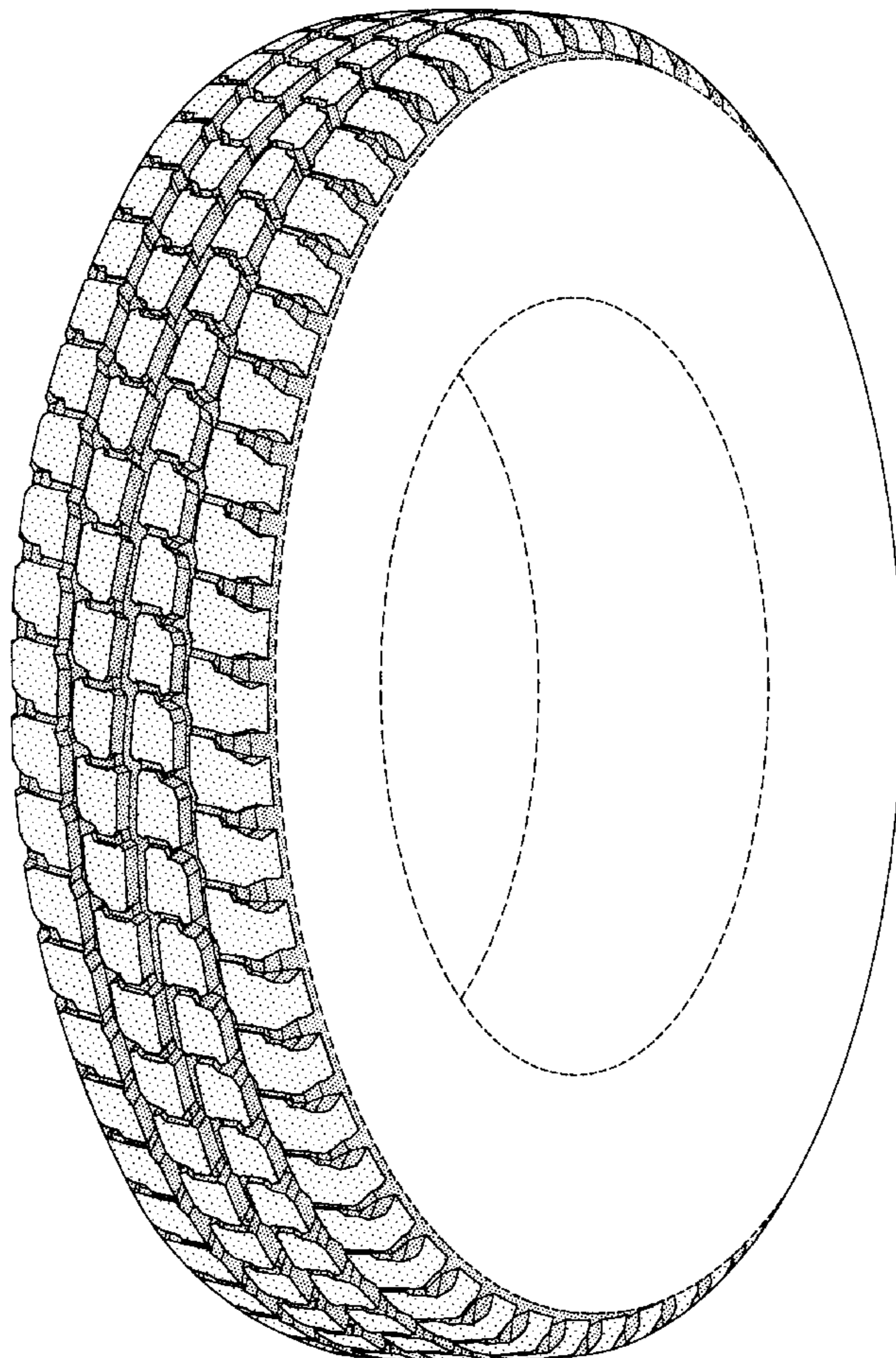
[57] **CLAIM**

The ornamental design for a tire tread, as shown and described.

DESCRIPTION

FIG. 1 is a perspective view of a tire tread showing our new design, it being understood that the pattern repeats uniformly throughout the circumference of the tread; FIG. 2 is a front elevational view thereof; FIG. 3 is a side elevational view thereof, the opposite side elevational view being identical thereto; and, FIG. 4 is an enlarged fragmentary perspective view. In the drawings, the broken lines defining the inner bead of the sidewall and the peripheral boundary between the tire tread and the sidewall are for illustrative purposes only and form no part of the claimed design.

1 Claim, 4 Drawing Sheets



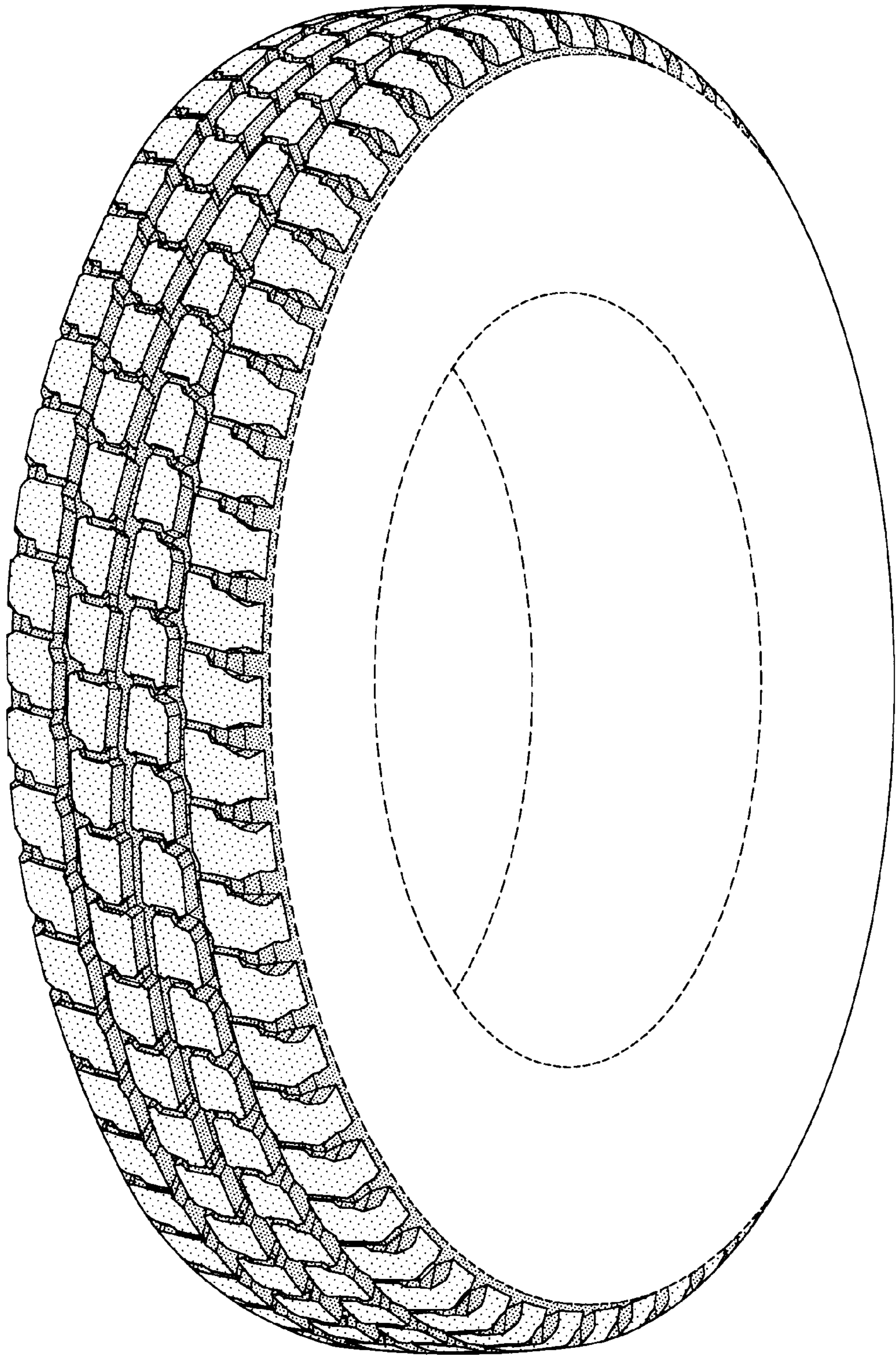


FIG-1

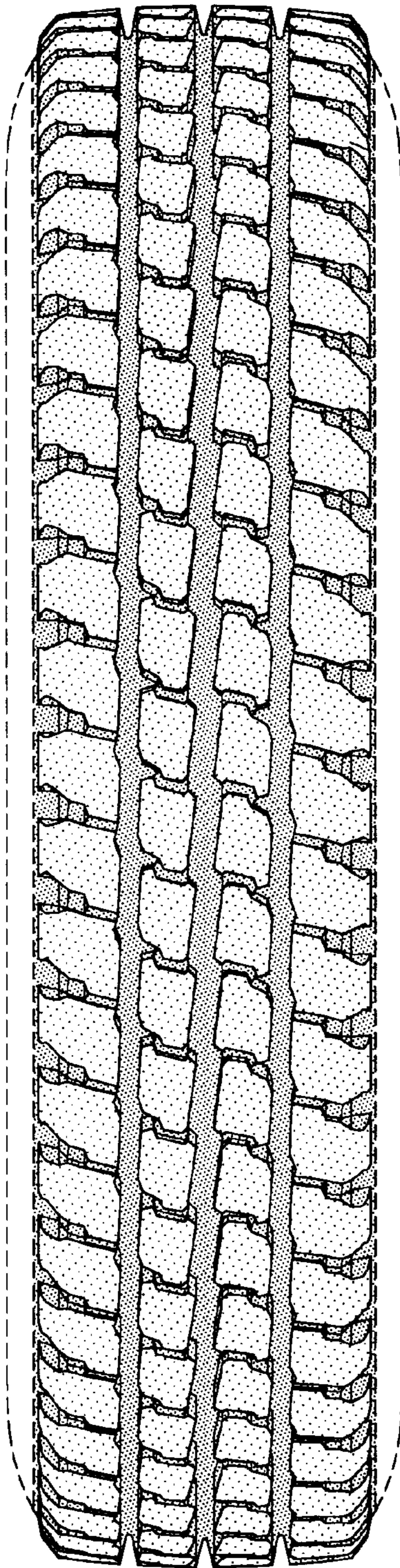


FIG-2

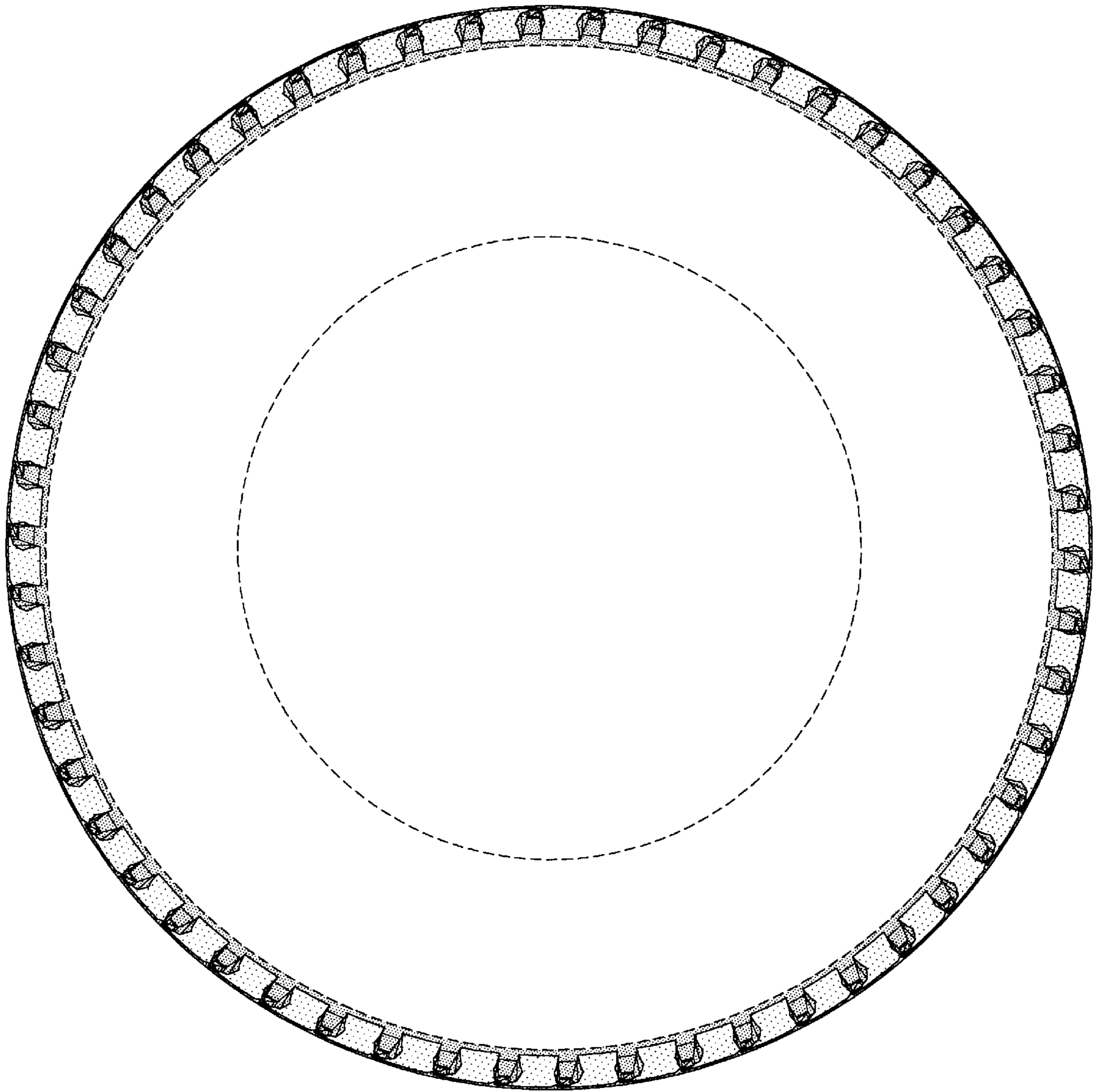


FIG-3

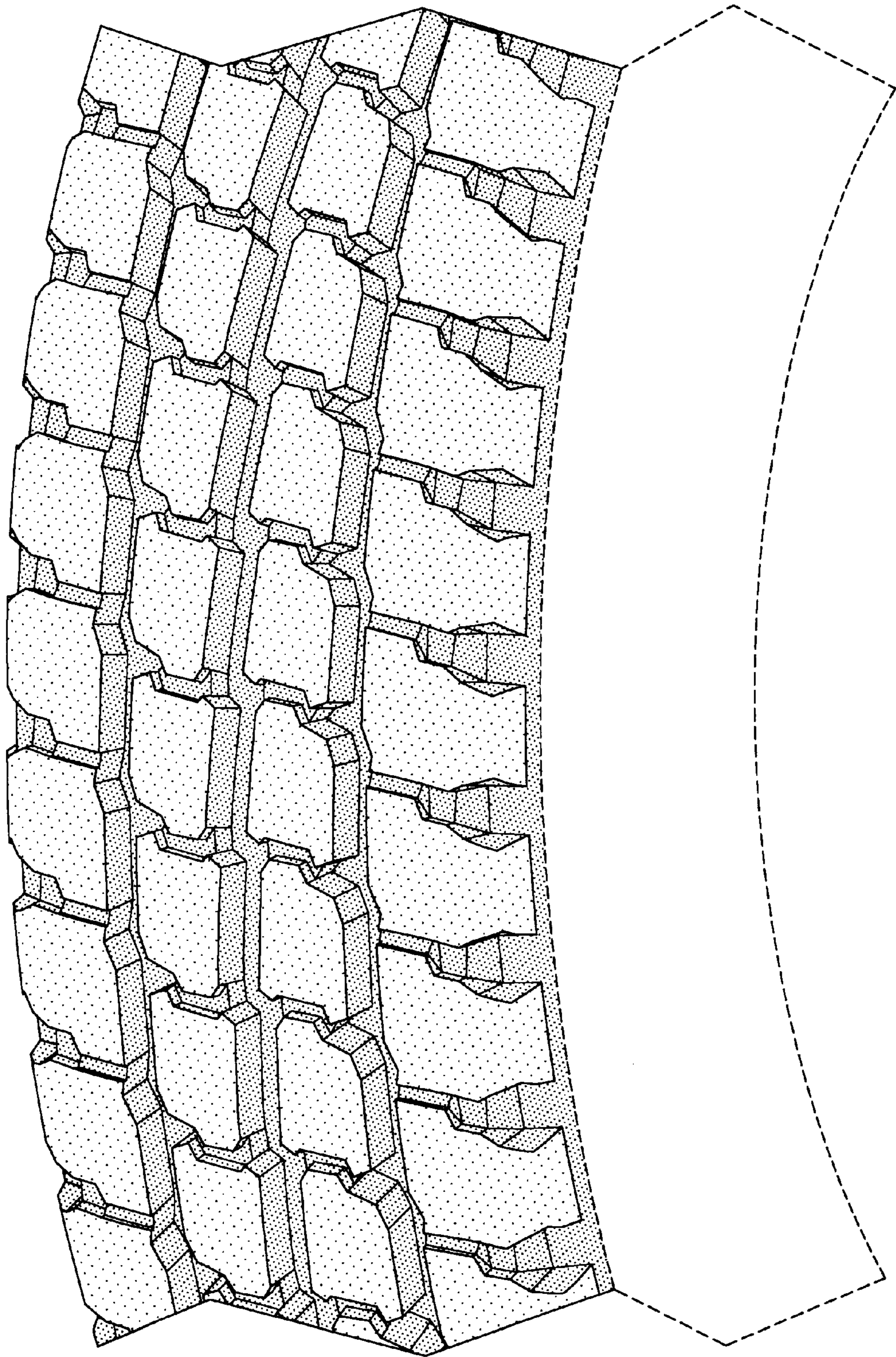


FIG-4