



US00D427551S

United States Patent [19] Weber

[11] **Patent Number: Des. 427,551**
[45] **Date of Patent: ** Jul. 4, 2000**

[54] **TIRE TREAD**

5,137,068 8/1992 Loidl et al. 152/209 R
5,814,169 9/1998 Yamaguchi et al. 152/209 R

[75] Inventor: **Michael Joseph Weber**, Mogadore, Ohio

OTHER PUBLICATIONS

[73] Assignee: **The Goodyear Tire & Rubber Company**, Akron, Ohio

Cooper Cobra Radial G/T Tire, 1998 Tread Design Guide, p. 19. 4/5. Jan. 1998.
Federal Super Steel 621 Tire, 1998 Tread Design Guide, p. 29. 1/1. Jan., 1998.
Goodyear Eagle VR Tire, 1998 Tread Design Guide, p. 35. 3/1. Jan., 1998.
Michelin Energy MXV4 Tire, 1998 Tread Design Guide, p. 49. 2/2. Jan., 1998.

[**] Term: **14 Years**

[21] Appl. No.: **29/109,816**

[22] Filed: **Aug. 24, 1999**

[51] **LOC (7) Cl.** **12-15**

Primary Examiner—Robert M. Spear
Attorney, Agent, or Firm—T. P. Lewandowski

[52] **U.S. Cl.** **D12/141**

[58] **Field of Search** D12/138–152;
152/209 RR, 209 NS, 209 AS, 209 AG,
209 RB, 209 GD, 209 DP, 900, 901, 902,
903

[57] **CLAIM**

The ornamental design for a tire tread, as shown and described.

[56] **References Cited**

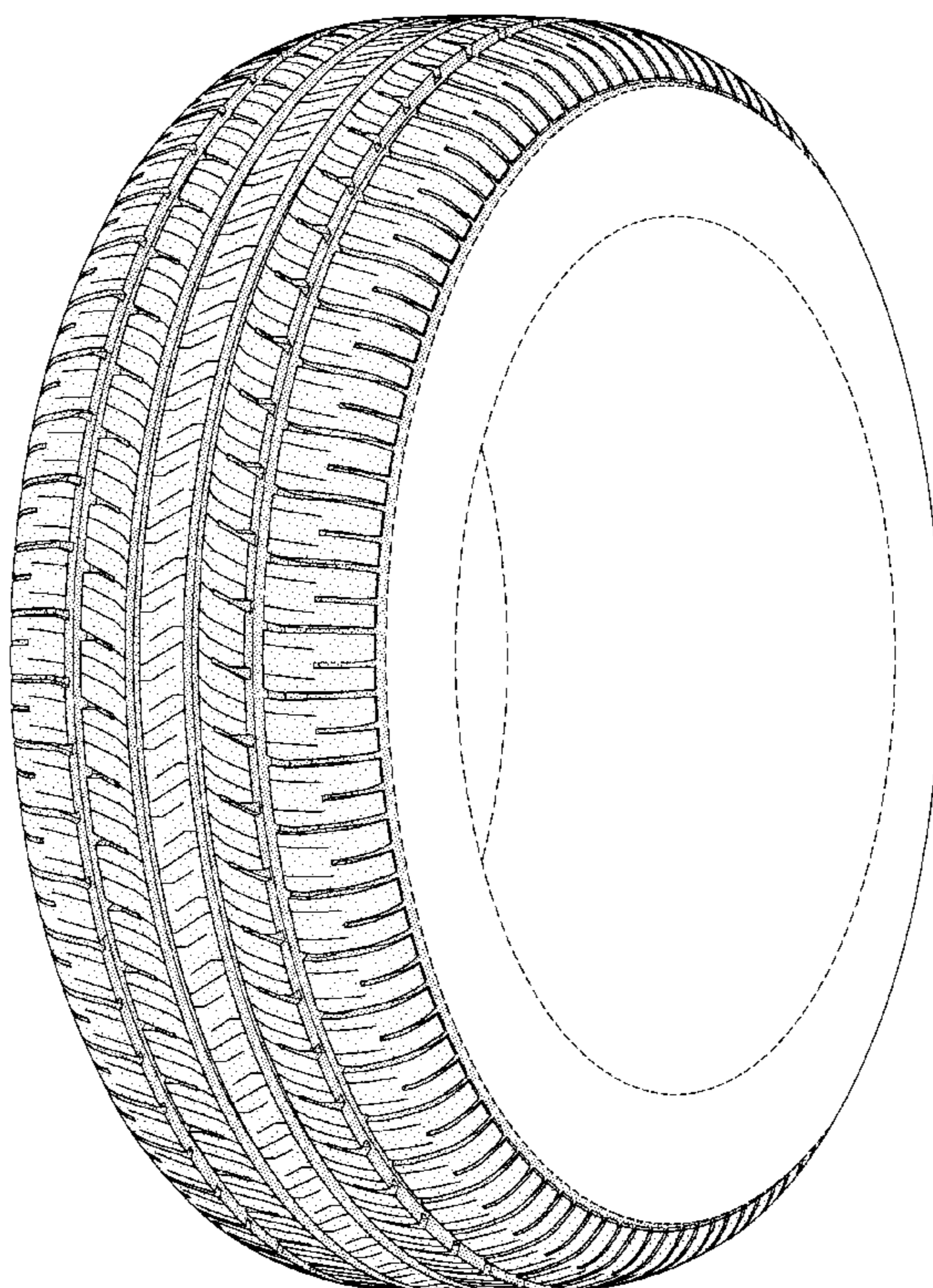
DESCRIPTION

U.S. PATENT DOCUMENTS

D. 293,664	1/1988	Hayakawa et al.	D12/146
D. 299,330	1/1989	Wallet	D12/147
D. 339,776	9/1993	Hayakawa et al.	D12/147
D. 350,513	9/1994	Mehta et al.	D12/147
D. 380,714	7/1997	Attinello et al.	D12/147
D. 381,605	7/1997	Dellagrotte	D12/147
D. 386,456	11/1997	Yukawa	D12/147
D. 386,730	11/1997	Hubbell, Jr.	D12/147
D. 403,281	12/1998	Allen et al.	D12/147
D. 404,694	1/1999	Himuro et al.	D12/147
D. 405,399	2/1999	Williams	D12/146
D. 409,533	5/1999	Graas	D12/147
D. 416,839	11/1999	Heinen et al.	D12/147

FIG. 1 is a perspective view of a tire tread showing our new design, it being understood that the pattern repeats uniformly throughout the circumference of the tread;
FIG. 2 is a front elevational view thereof;
FIG. 3 is a side elevational view thereof, the opposite side elevational view being identical thereto; and,
FIG. 4 is an enlarged fragmentary perspective view.
In the drawings, the broken lines defining the inner bead of the sidewall and the peripheral boundary between the tire tread and the sidewall are for illustrative purposes only and form no part of the claimed design.

1 Claim, 4 Drawing Sheets



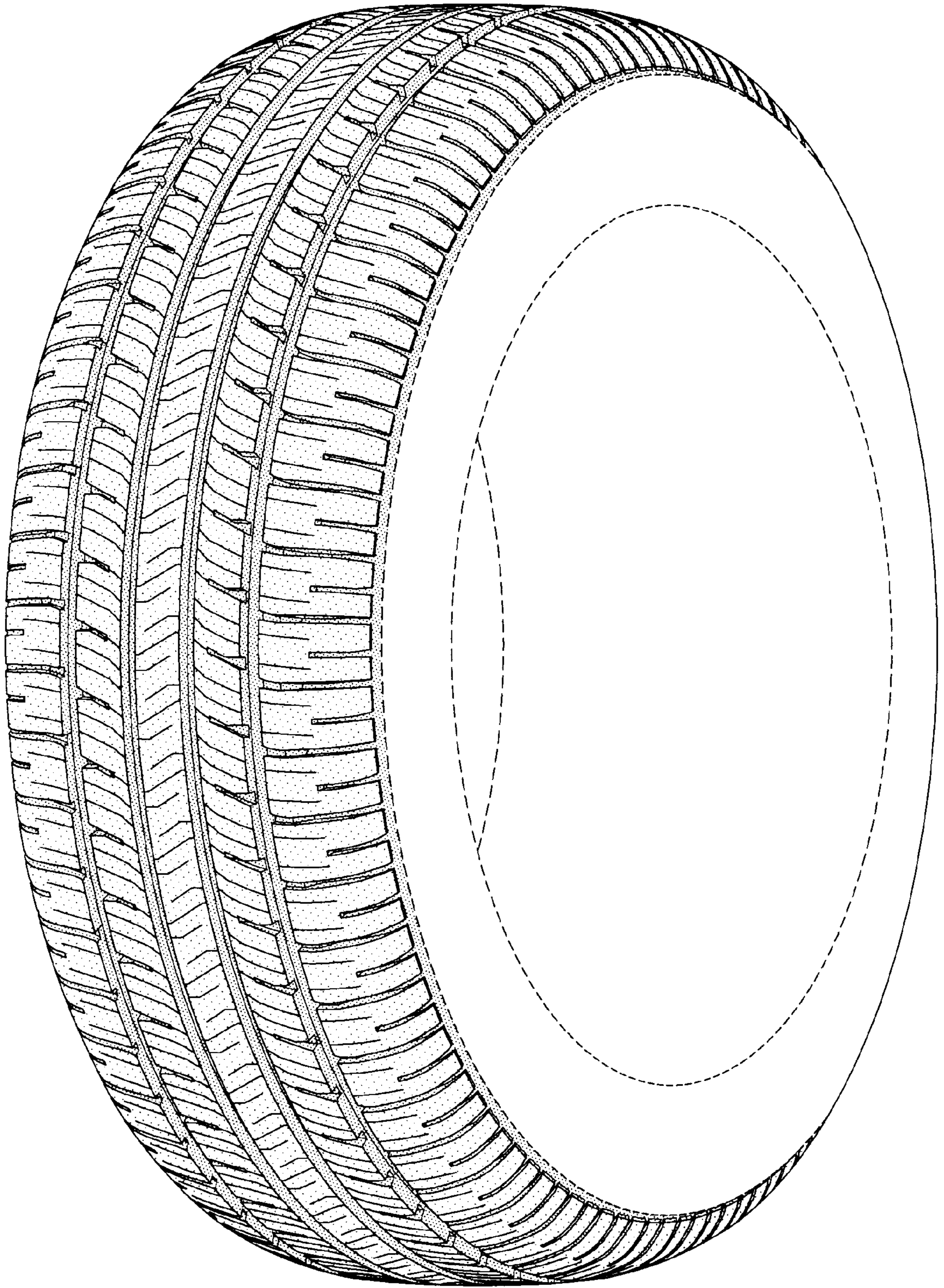


FIG-1

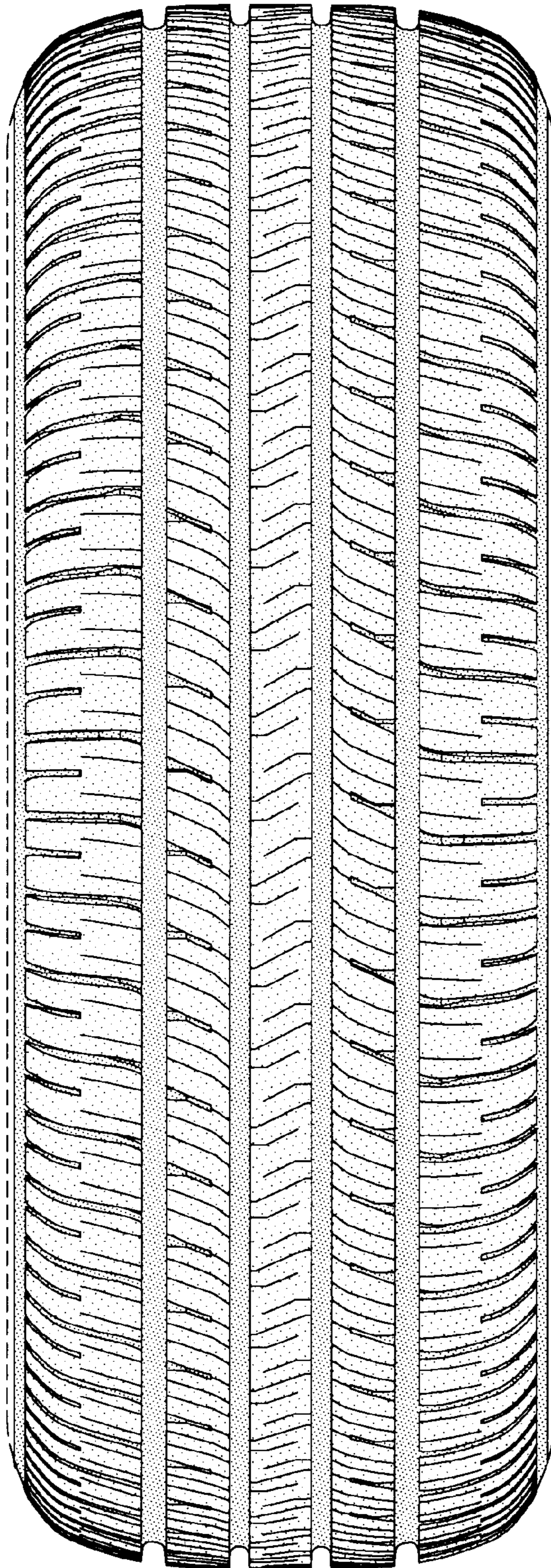


FIG-2

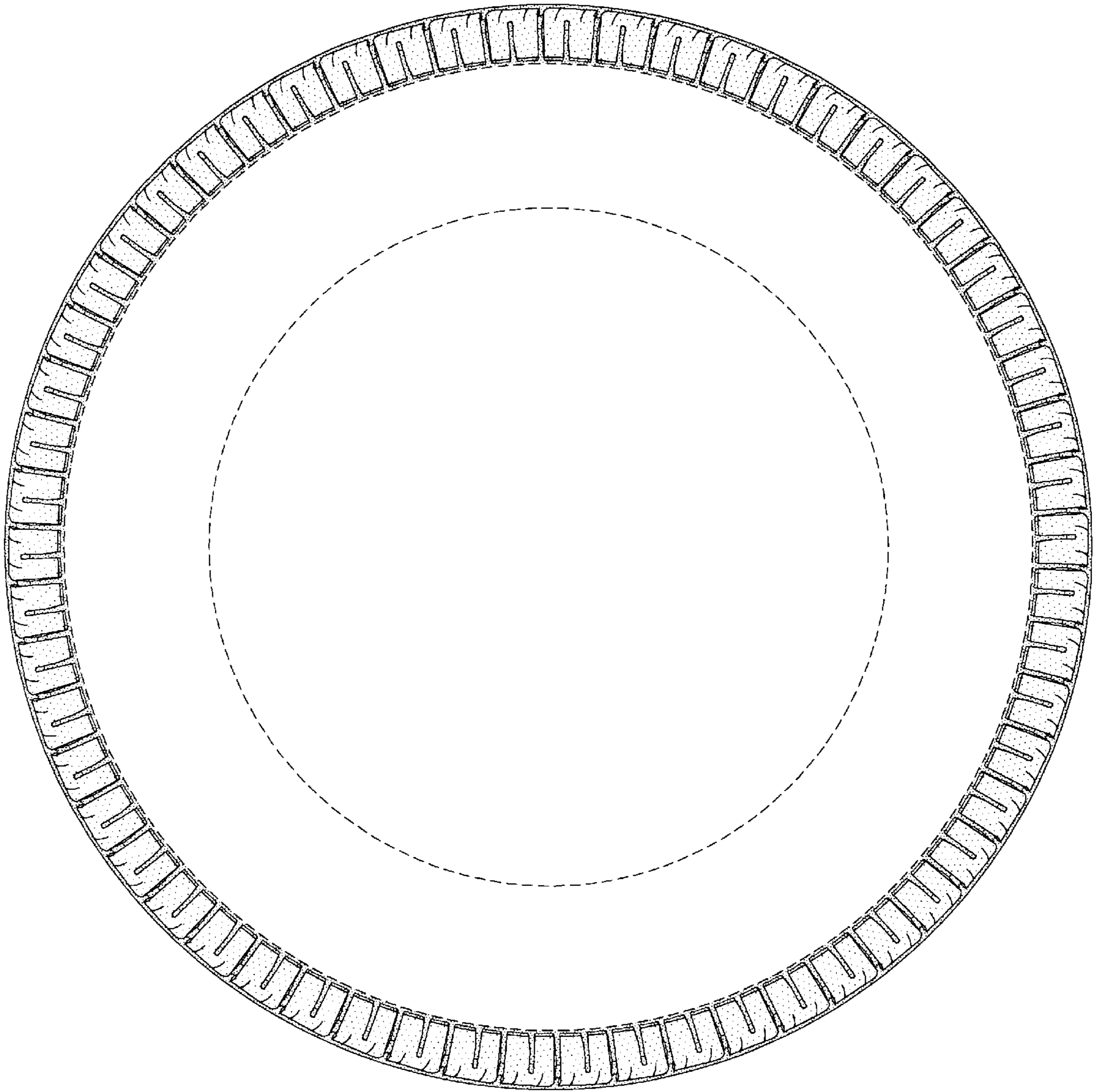


FIG-3

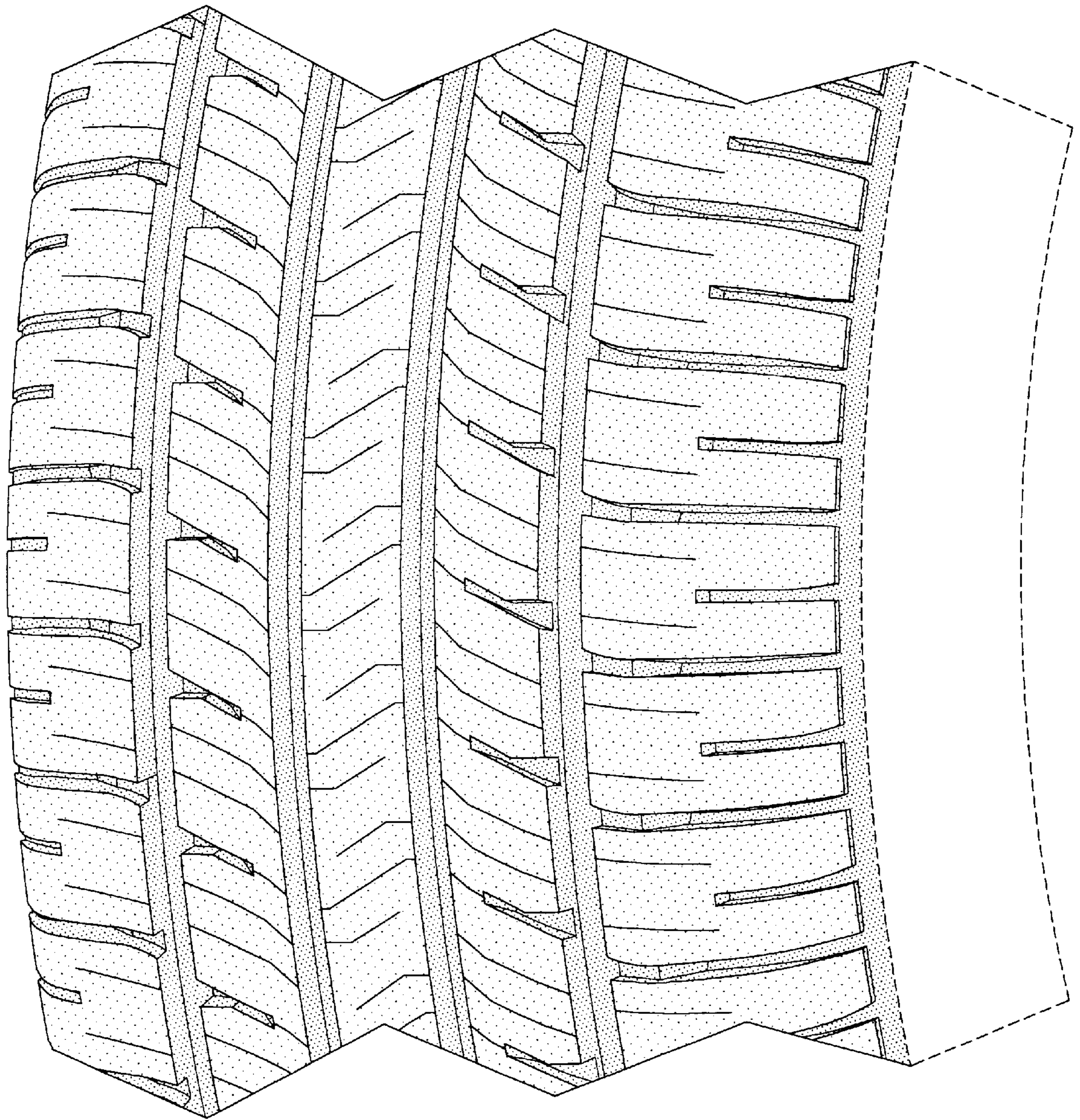


FIG-4