



US00D427537S

United States Patent [19]

Green et al.

[11] Patent Number: Des. 427,537

[45] Date of Patent: ** Jul. 4, 2000

[54] LIGHT BAR WITH EXTENSIONS AND OPTIONAL NESTED SPOT LIGHT

[75] Inventors: Timothy M. Green, Fenton; Andrew G. Smith, Chesterfield; Edward F. Ryan, St. Louis, all of Mo.; John H. Loudenslager, Phoenix, Ariz.

[73] Assignee: Code 3, Inc., St. Louis, Mo.

[**] Term: 14 Years

[21] Appl. No.: 29/091,051

[22] Filed: Jul. 22, 1998

[51] LOC (7) Cl. 10-05

[52] U.S. Cl. D10/114

[58] Field of Search D10/109, 111, D10/114, 121; 362/157, 158, 183-208, 80, 80.1, 81, 82, 83, 83.2, 83.3

[56] References Cited

U.S. PATENT DOCUMENTS

D. 153,969	5/1949	Murray	D48/32
D. 214,135	5/1969	Gazzo	D48/32
D. 242,907	1/1977	Blaylock et al.	D10/121
D. 249,250	9/1978	Peirish, Jr.	D10/114
D. 254,604	4/1980	Gosswiller	D10/114
D. 262,659	1/1982	Latta et al.	D26/35
D. 286,756	11/1986	Menke et al.	D10/114
D. 291,870	9/1987	Urbanski et al.	D10/114
D. 312,425	11/1990	Foster	D10/114
D. 326,621	6/1992	Jincks et al.	D10/114
D. 355,142	2/1995	Wagner	D10/114
D. 359,461	6/1995	Chen	D10/114
D. 363,675	10/1995	Sasaki et al.	D10/114
D. 402,909	12/1998	Stanuch	D10/114
2,968,025	1/1961	Owens	340/125
3,789,358	1/1974	Ellis	340/87
4,189,709	2/1980	Gosswiller	340/84
4,224,599	9/1980	Peirish, Jr. et al.	340/84
4,357,595	11/1982	Gosswiller	340/81 R
4,831,357	5/1989	Miller	340/472
5,091,828	2/1992	Jincks et al.	362/35
5,097,397	3/1992	Stanuch et al.	362/74
5,140,304	8/1992	Miller	340/472

FOREIGN PATENT DOCUMENTS

752243	9/1988	Japan .
850735	10/1992	Japan .

850736	10/1992	Japan .
850737	10/1992	Japan .
862217	11/1992	Japan .
864872	3/1993	Japan .
937582	10/1995	Japan .
978182	1/1997	Japan .

OTHER PUBLICATIONS

Federal Signal Corporation, "Vista™ Strobe LightBar," product brochure, 1995, 4 pages.
 Whelen Engineering, "Edge® Series Lightbars," product brochure, undated, 2 pages.
 Whelen Engineering, "PierceAlert™," product brochure, 1996, 1 page.
 Transportation Safety Devices, Inc., "Mini Stealth," product brochure and advertisement, circa Mar./Apr. 1993, 2 pages.

Primary Examiner—Marcus A. Jackson
 Attorney, Agent, or Firm—Senniger, Powers, Leavitt & Roedel

[57] CLAIM

The ornamental design for a light bar with extensions and optional nested spot light, as shown and described.

DESCRIPTION

FIG. 1 is a front and left side perspective view of one preferred embodiment of a light bar with extensions without the optional nested spot light incorporating our new design; FIG. 2 is a front elevational view of the FIG. 1 embodiment; FIG. 3 is a rear elevation view of the FIG. 1 embodiment; FIG. 4 is a top plan view of the FIG. 1 embodiment; FIG. 5 is a left side elevational view of the FIG. 1 embodiment, the right side elevation view being a mirror image thereof; FIG. 6 is a bottom plan view of the FIG. 1 embodiment; FIG. 7 is a front and left side perspective view of another preferred embodiment of a light bar with extensions including an optional nested spot light incorporating our new design; FIG. 8 is a front elevational view of the FIG. 7 embodiment; FIG. 9 is a rear elevation view of the FIG. 7 embodiment; FIG. 10 is a top plan view of the FIG. 7 embodiment; FIG. 11 is a left side elevational view of the FIG. 7 embodiment, the right side elevation view being a mirror image thereof; and, FIG. 12 is a bottom plan view of the FIG. 7 embodiment.

1 Claim, 8 Drawing Sheets

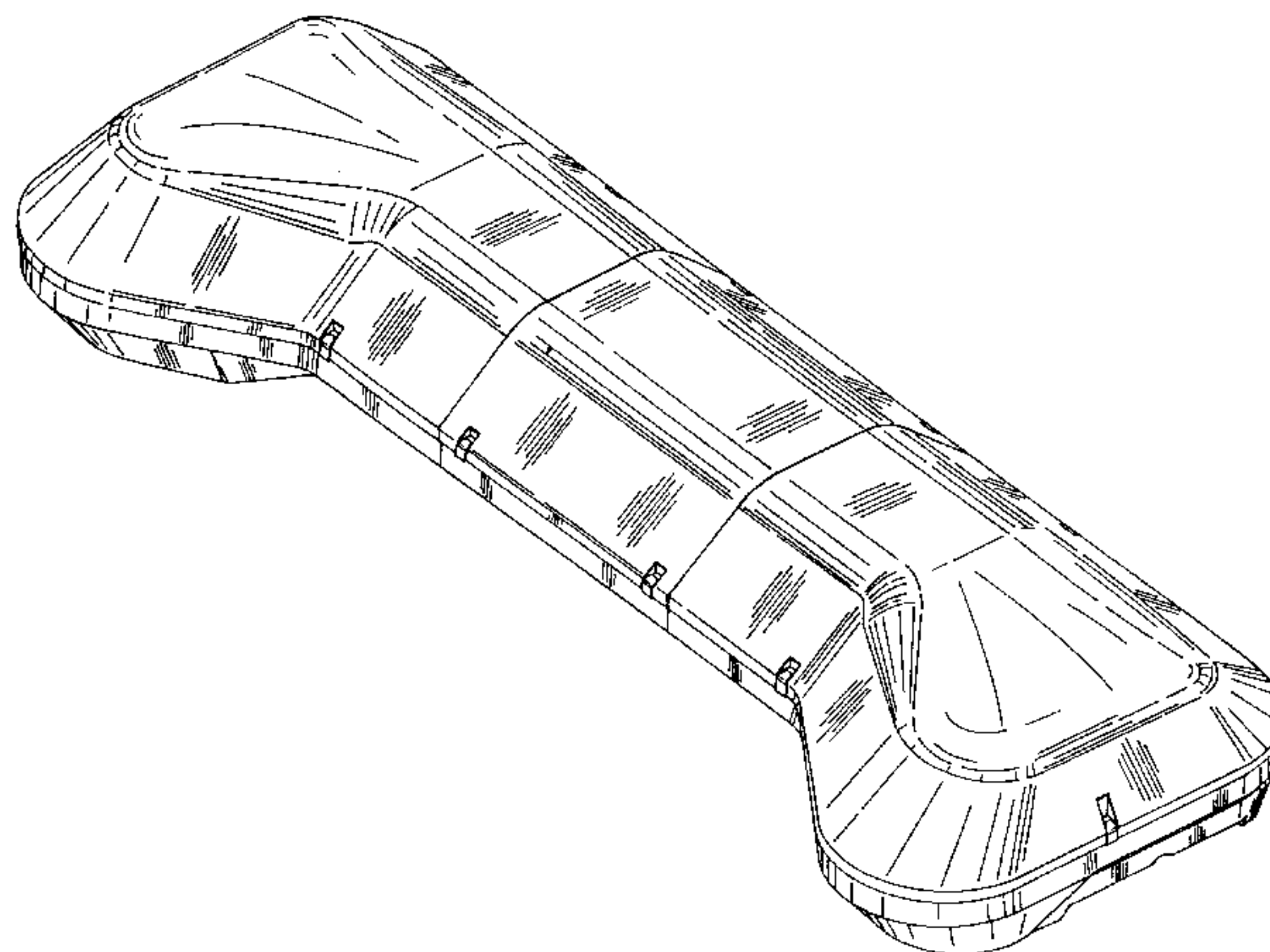


FIG. 1

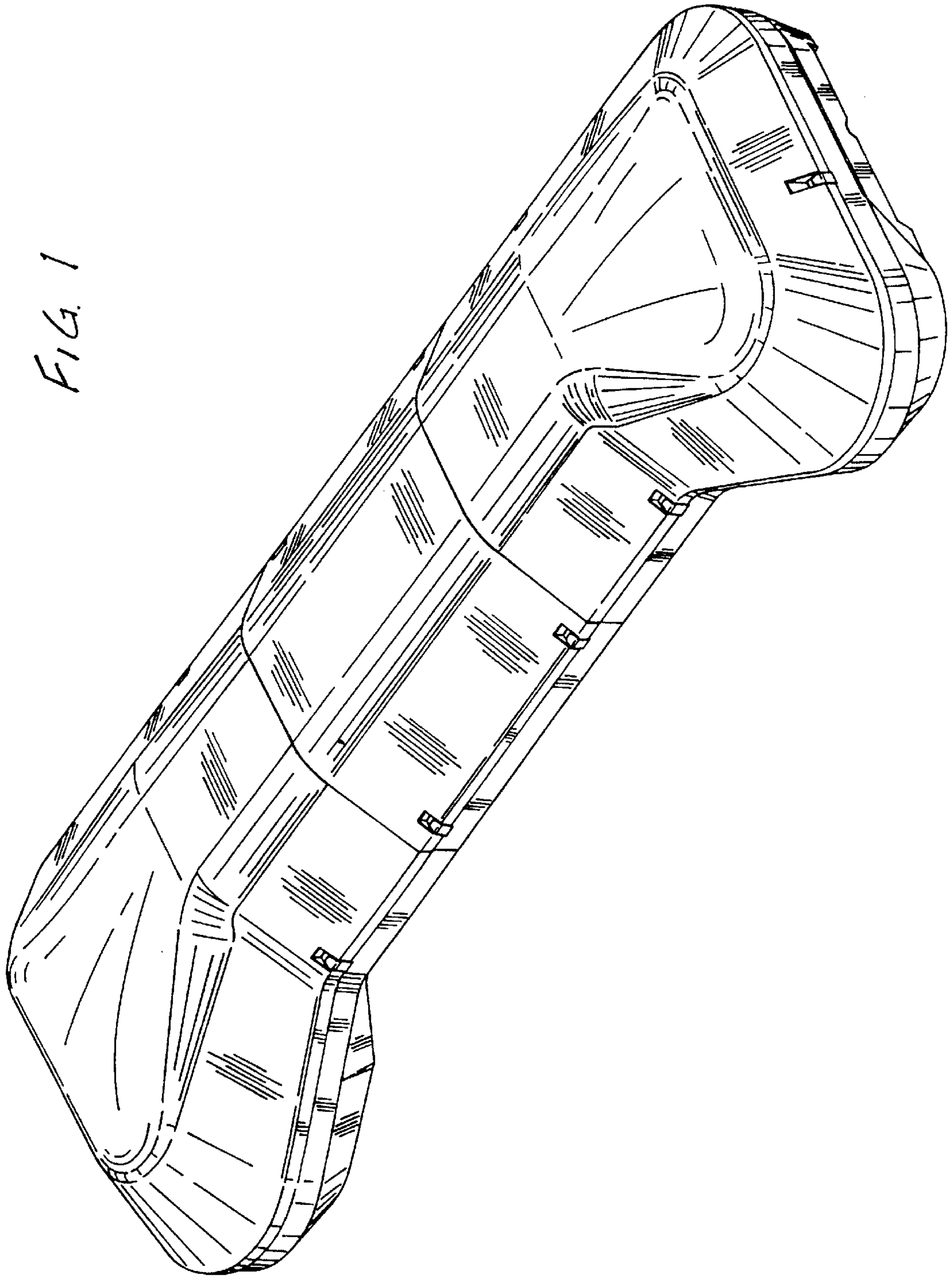


FIG. 2

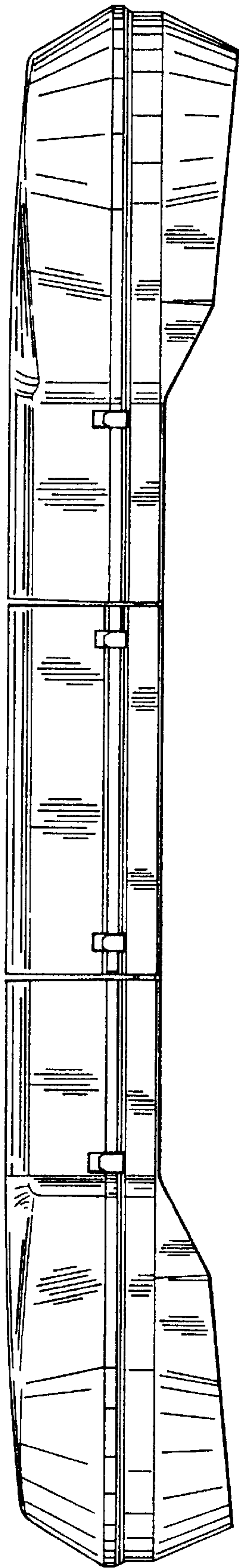


FIG. 3

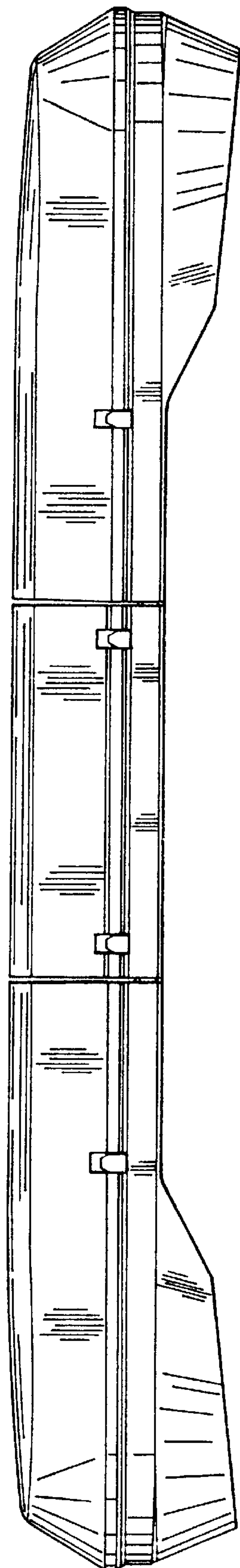


FIG. 4

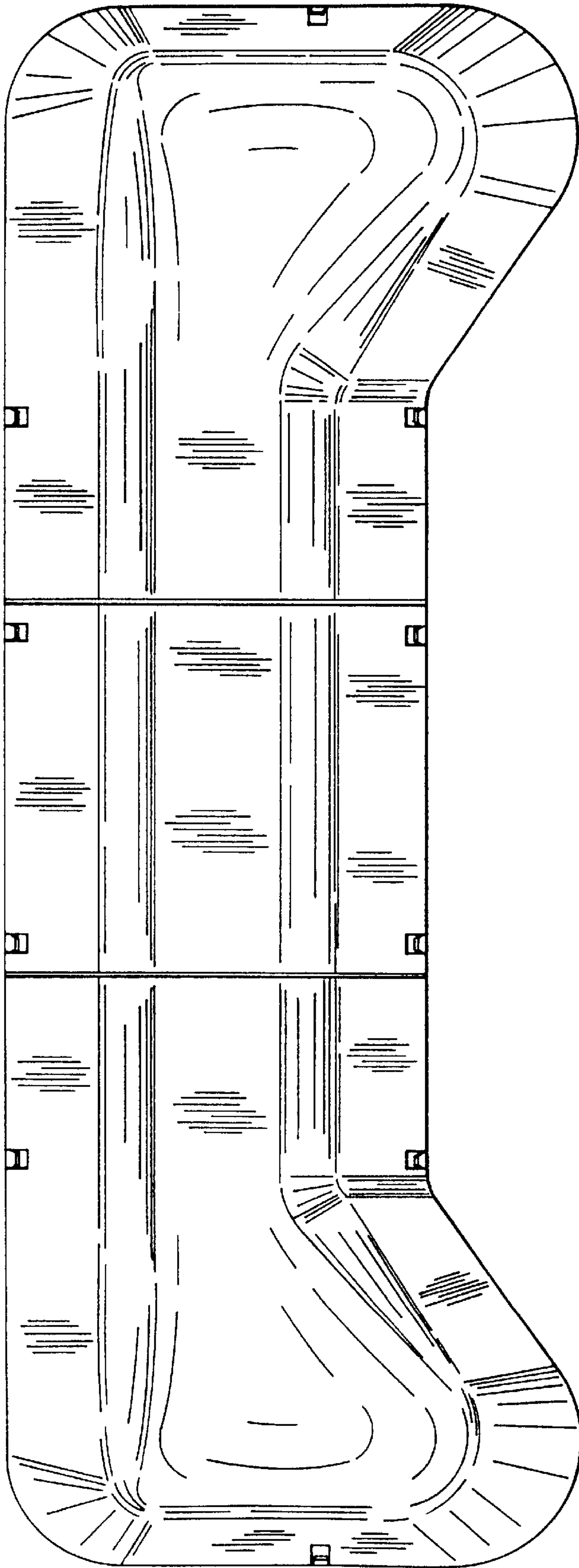


FIG. 5

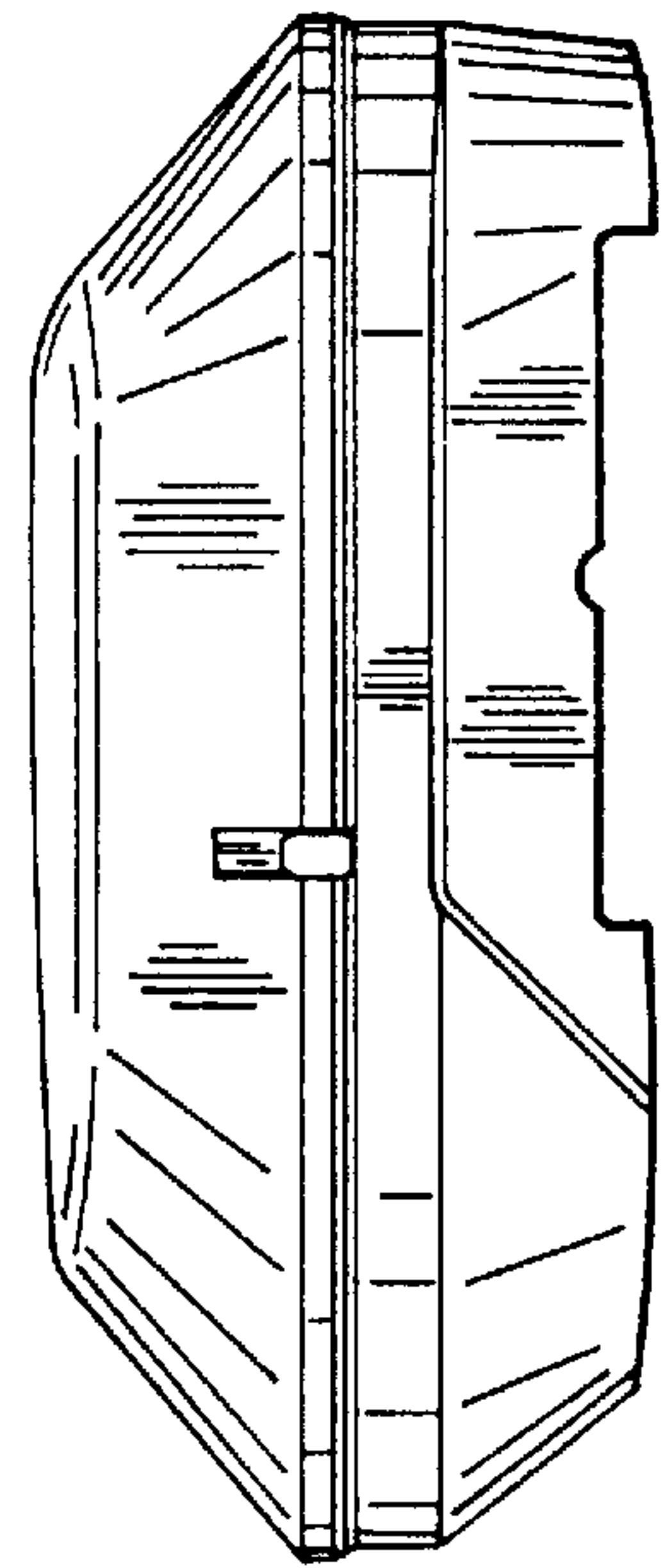


FIG. 6

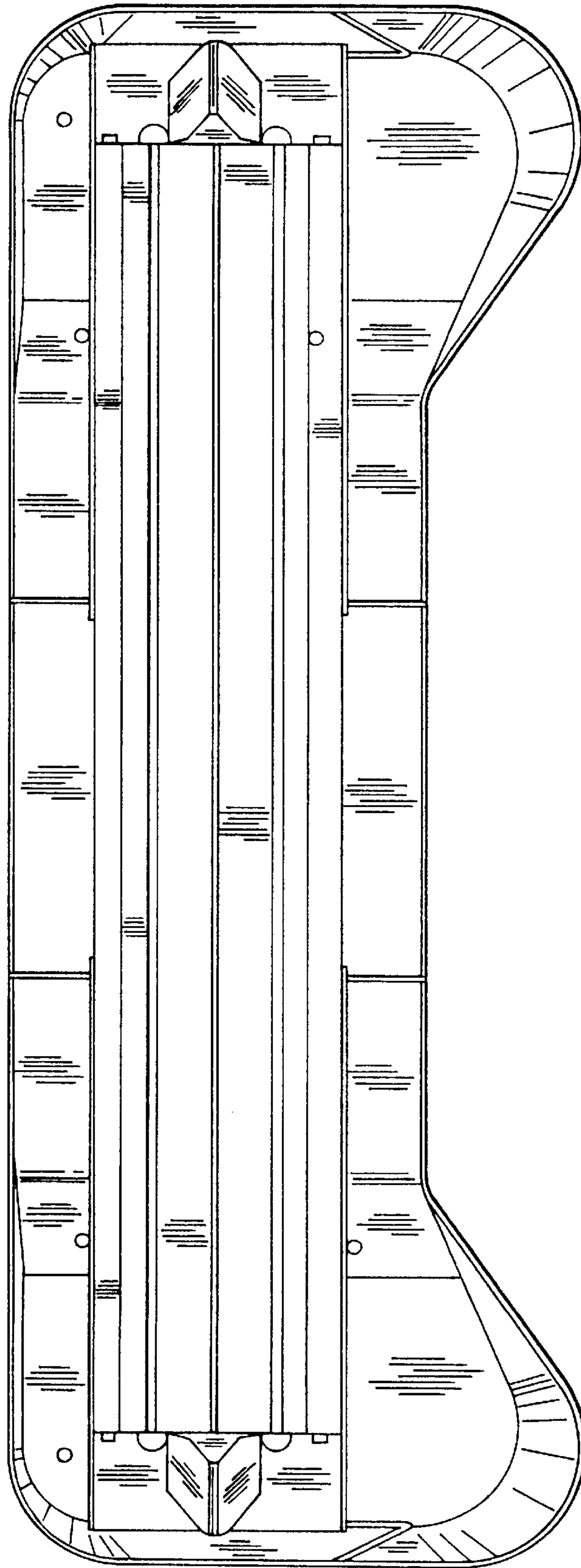


FIG. 7

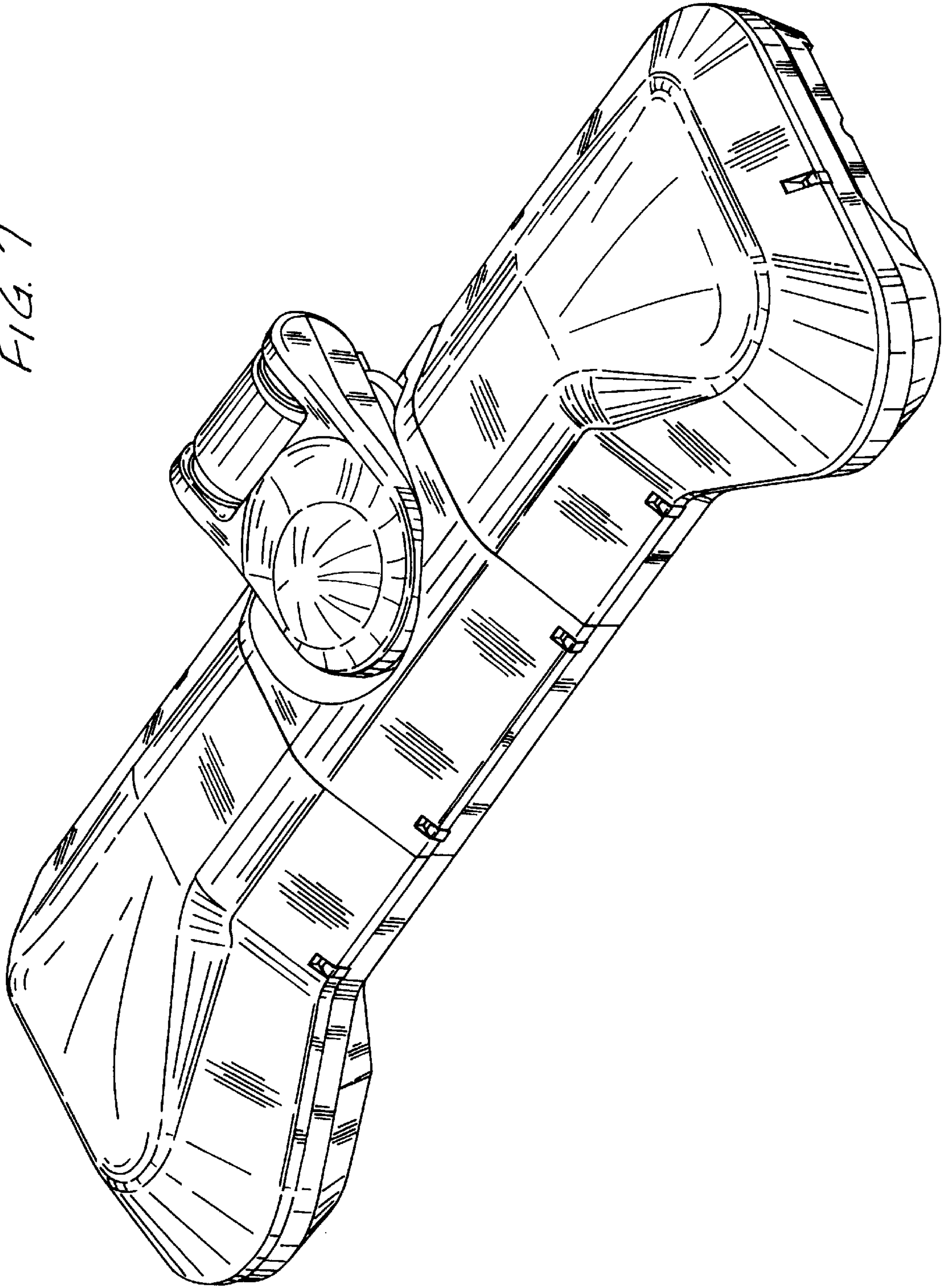


FIG. 8

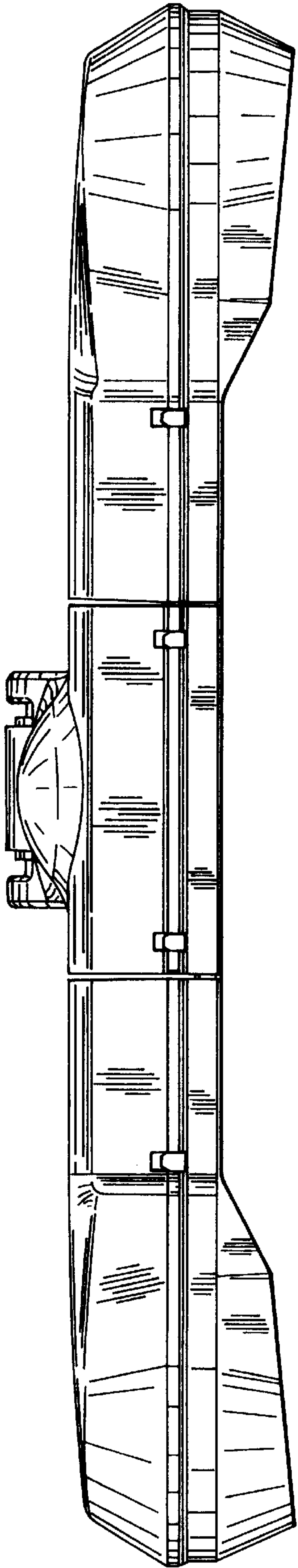
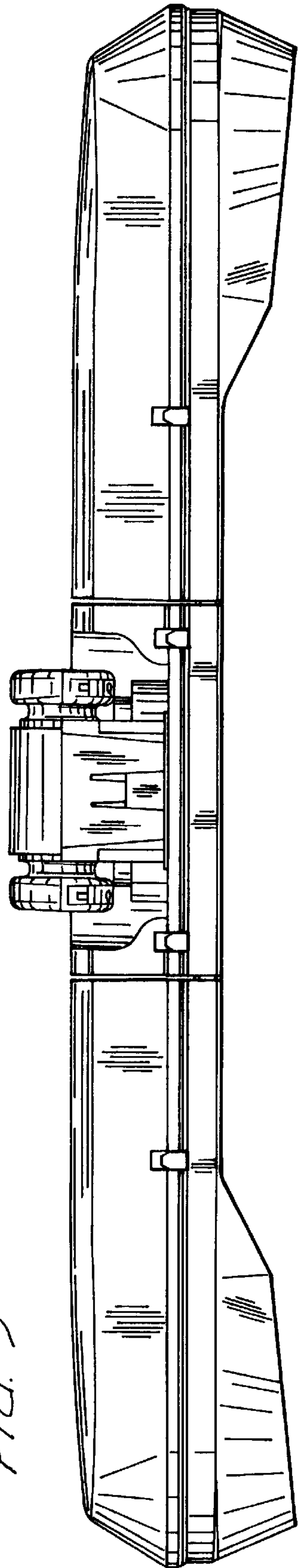


FIG. 9



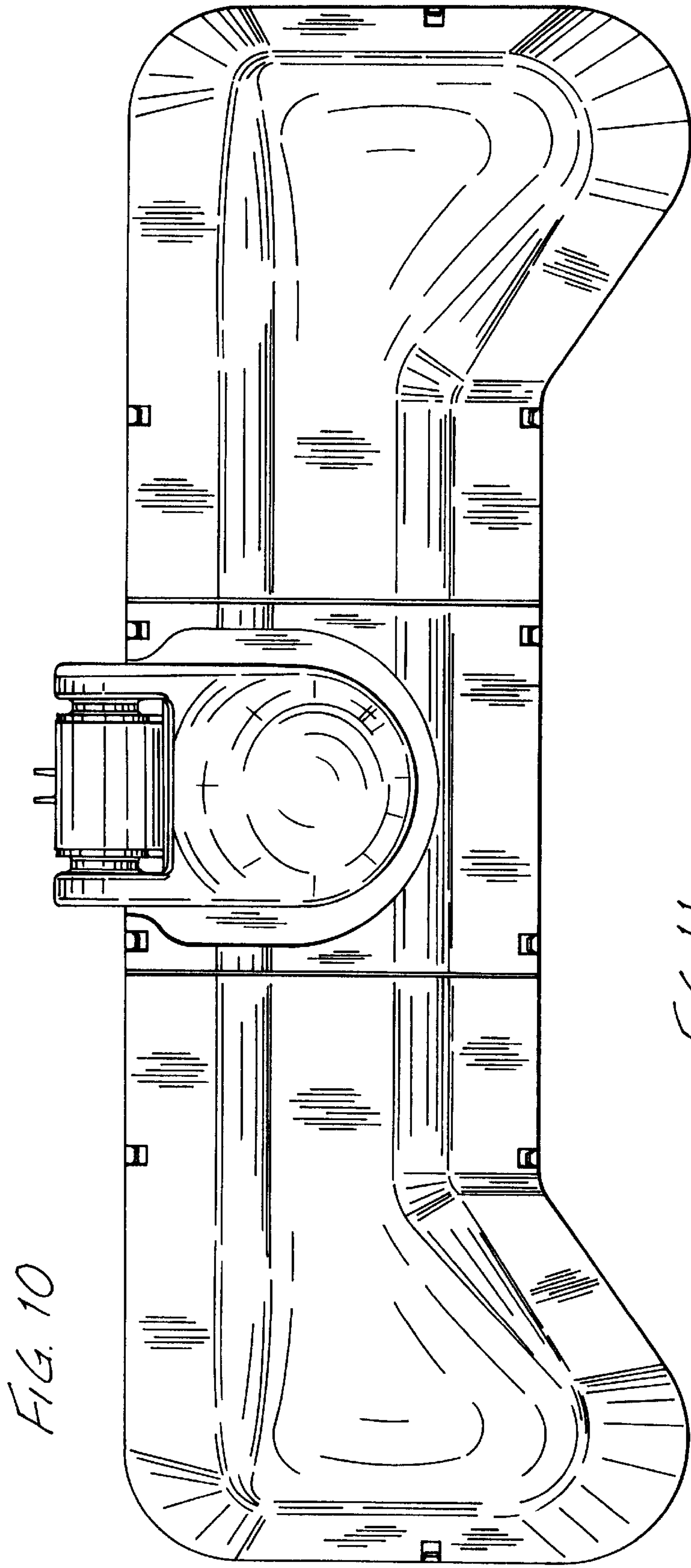


FIG. 10

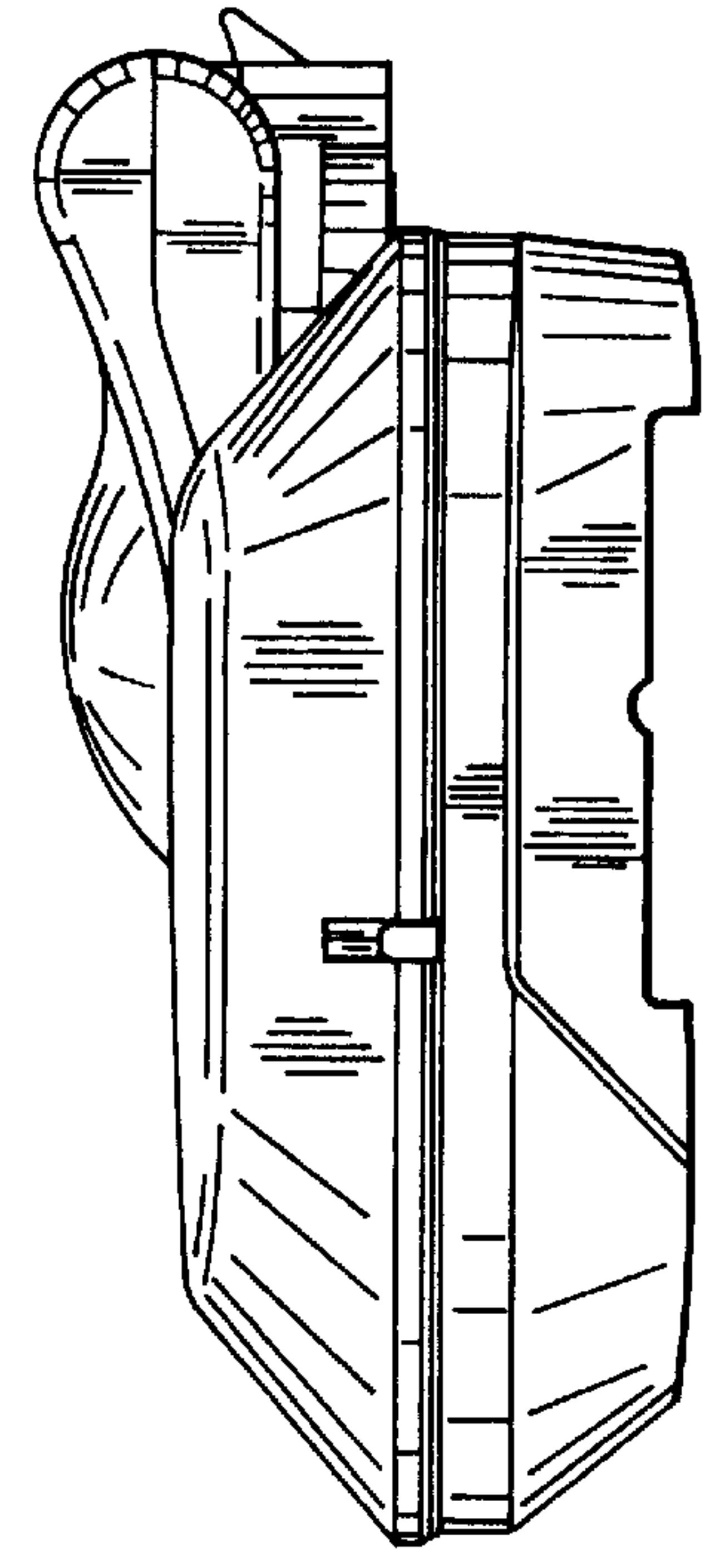


FIG. 11

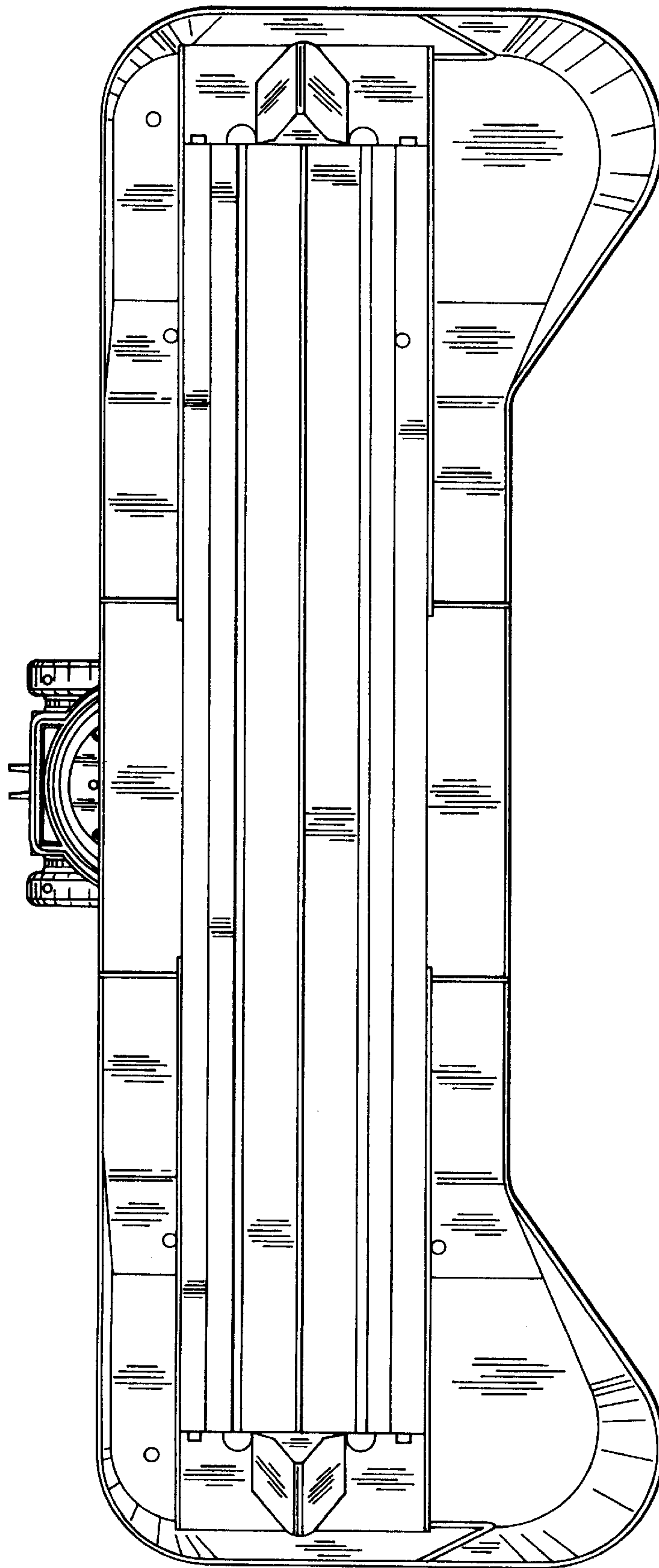


FIG. 12