



US00D427536S

United States Patent [19] Quick

[11] **Patent Number: Des. 427,536**
[45] **Date of Patent: ** Jul. 4, 2000**

[54] **TELECOM SIGNAL DETECTOR**
[75] Inventor: **Marshall A Quick**, Sanford, N.C.
[73] Assignee: **Sensor Technologies, Inc.**, Durham, N.C.
[**] Term: **14 Years**
[21] Appl. No.: **29/117,432**
[22] Filed: **Jan. 24, 2000**
[51] **LOC (7) Cl.** **10-05**
[52] **U.S. Cl.** **D10/104**
[58] **Field of Search** D10/104, 106,
D10/116, 121; 340/545, 546, 547, 551,
565, 571, 572, 573

D. 385,207 10/1997 Urvoy D10/104

OTHER PUBLICATIONS

The design patent of this application is related to a prior filed US Utility Application, Application No. 09/435,533 prior to Jan. 24, 2000.

Primary Examiner—Marcus A. Jackson
Attorney, Agent, or Firm—William L. London

[57] CLAIM

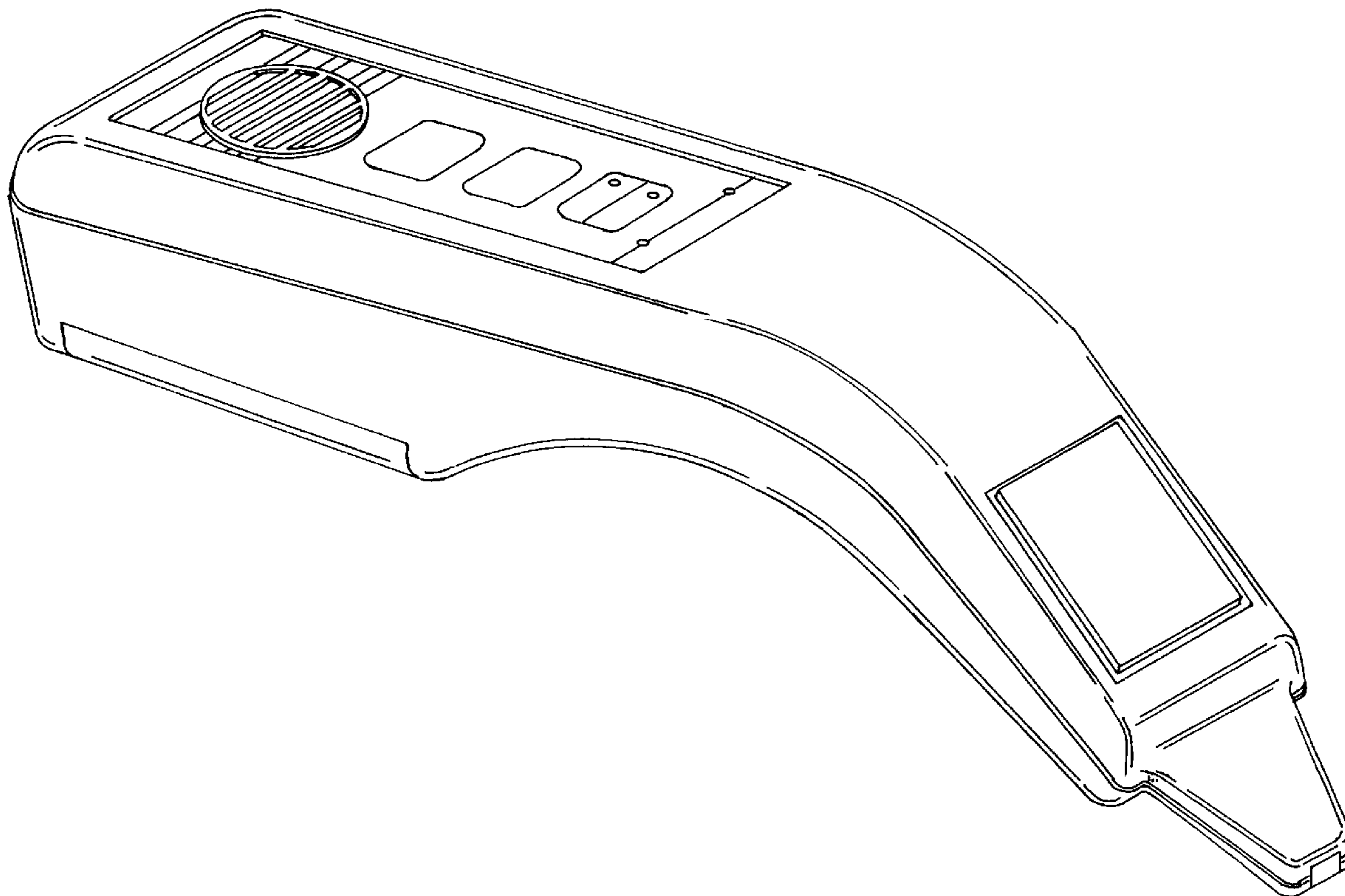
The ornamental design for a telecom signal detector, as shown.

DESCRIPTION

FIG. 1 is a perspective view of a telecom signal detector.
FIG. 2 is a top view.
FIG. 3 is a bottom view.
FIG. 4 is a side view.
FIG. 5 is a front view; and,
FIG. 6 is a rear view.

[56] **References Cited**
U.S. PATENT DOCUMENTS
D. 351,564 10/1994 Schepis D10/104
D. 355,616 2/1995 Gregg, III et al. D10/104

1 Claim, 4 Drawing Sheets



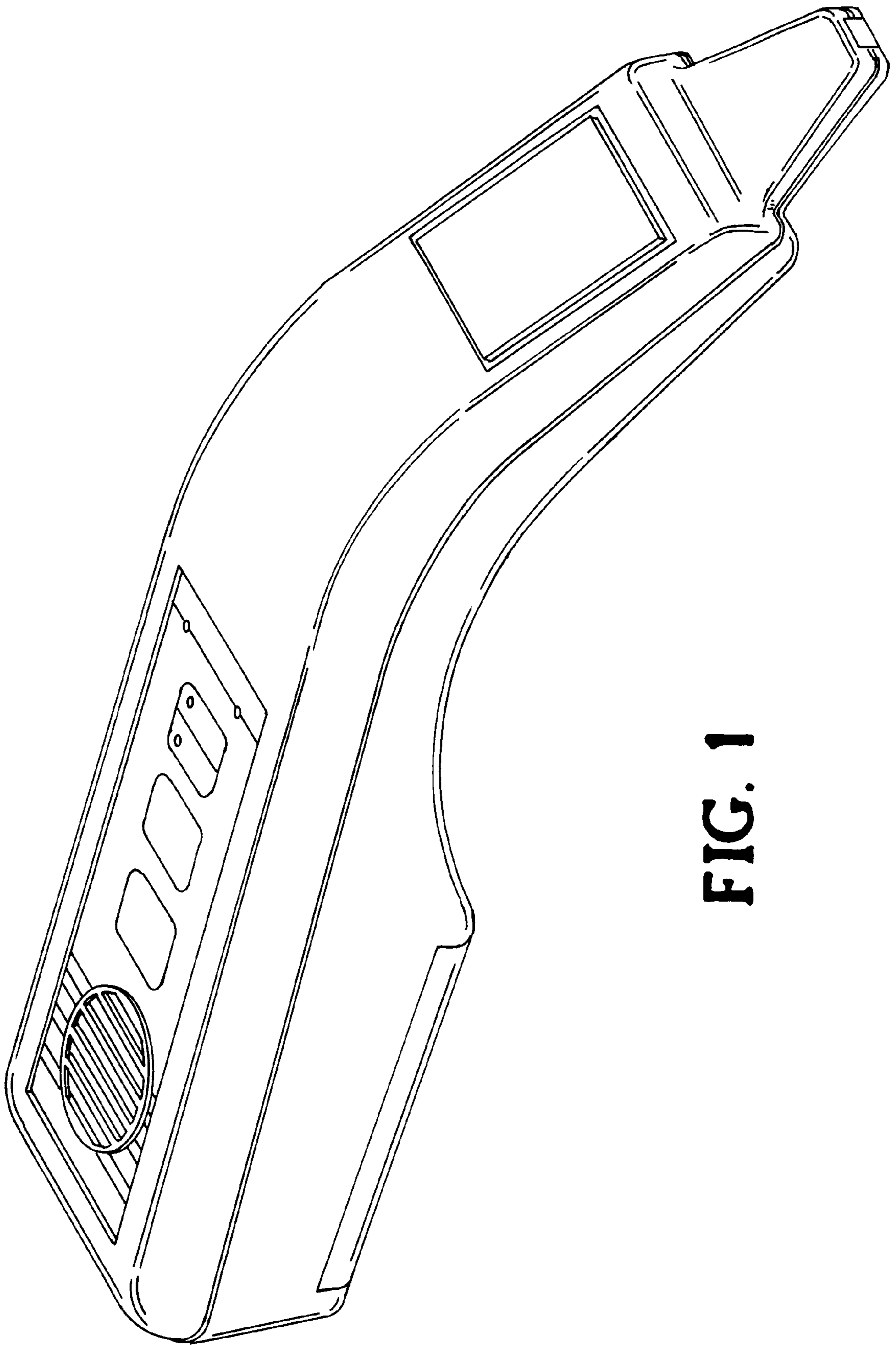


FIG. 1

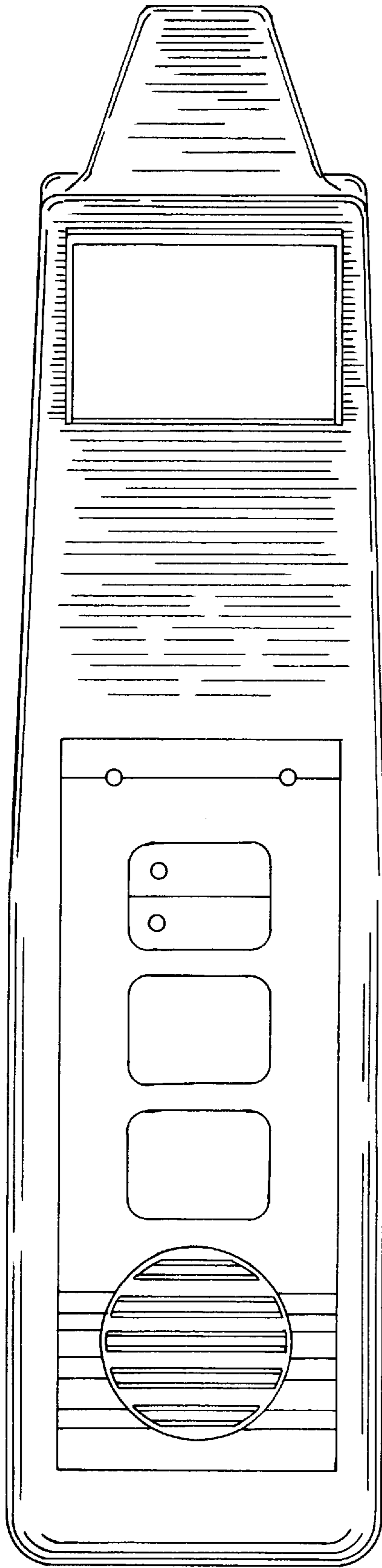


FIG. 2

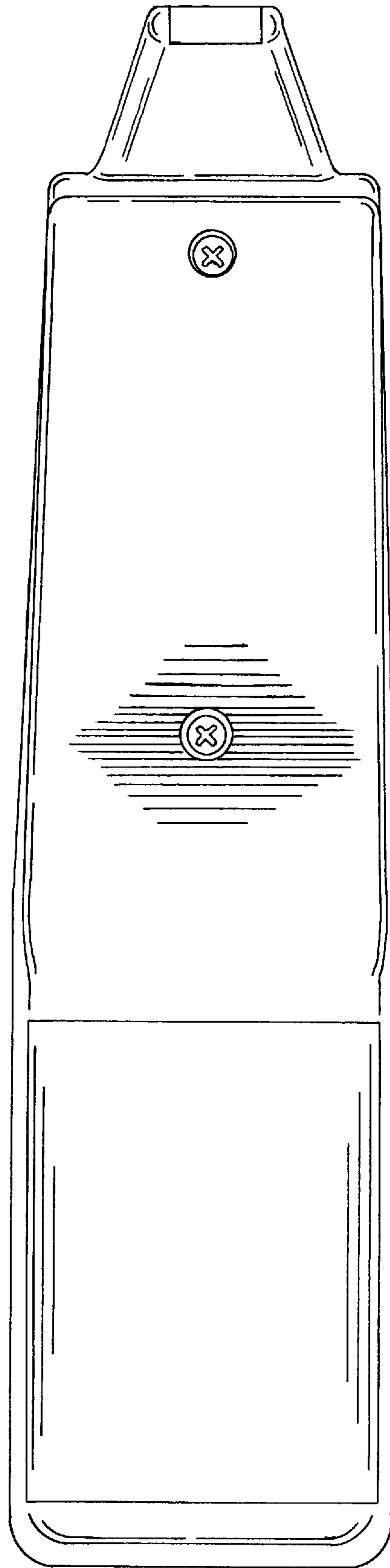


FIG. 3

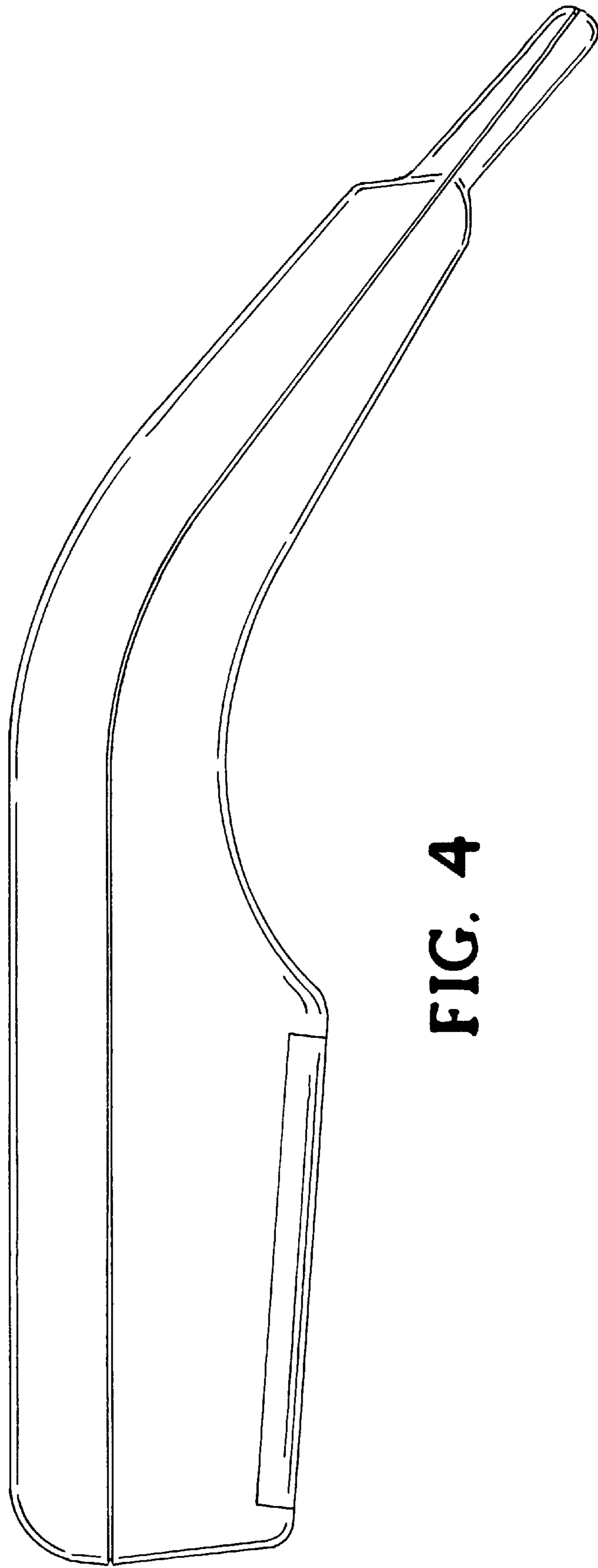


FIG. 4

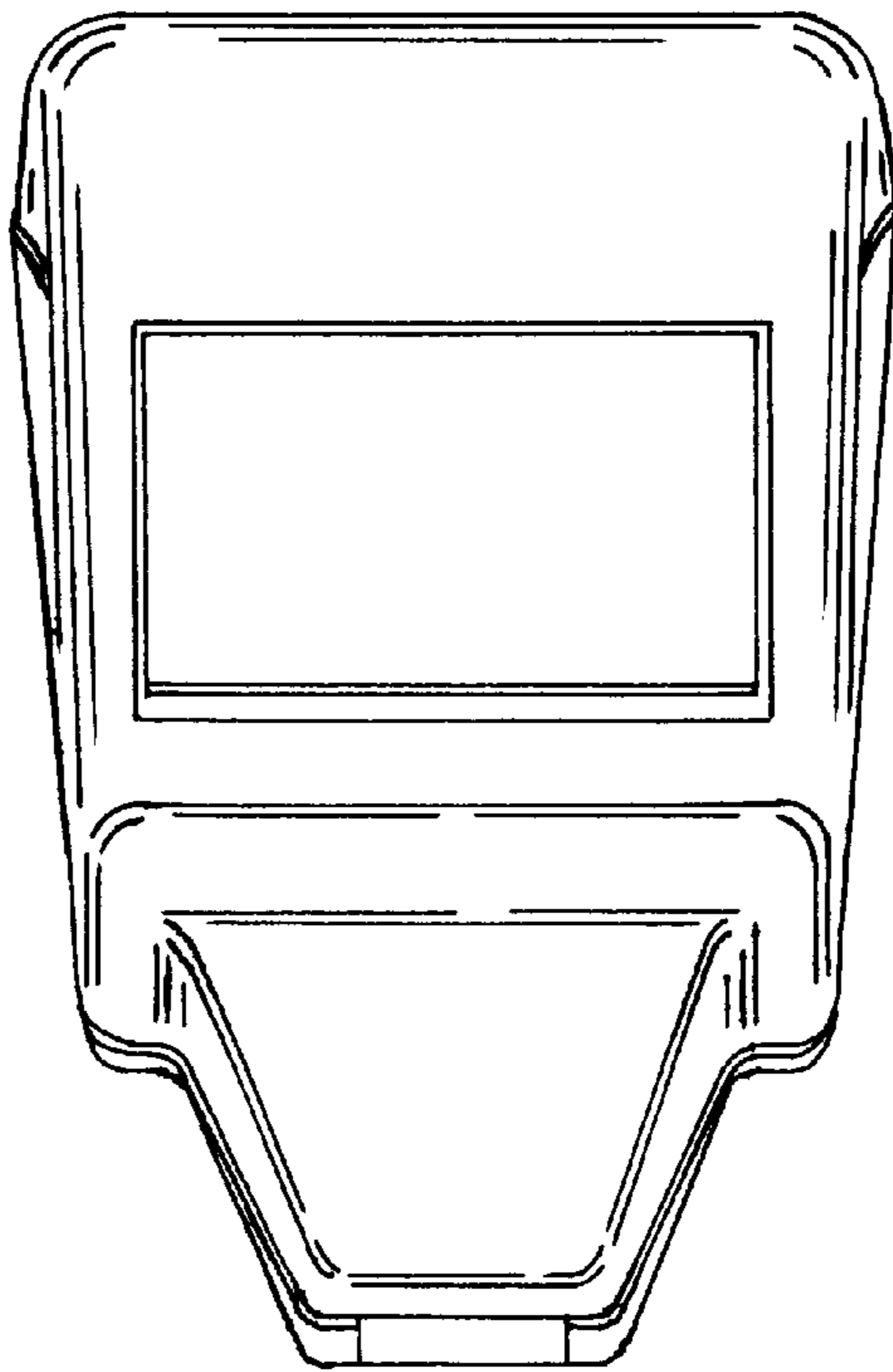


FIG. 5

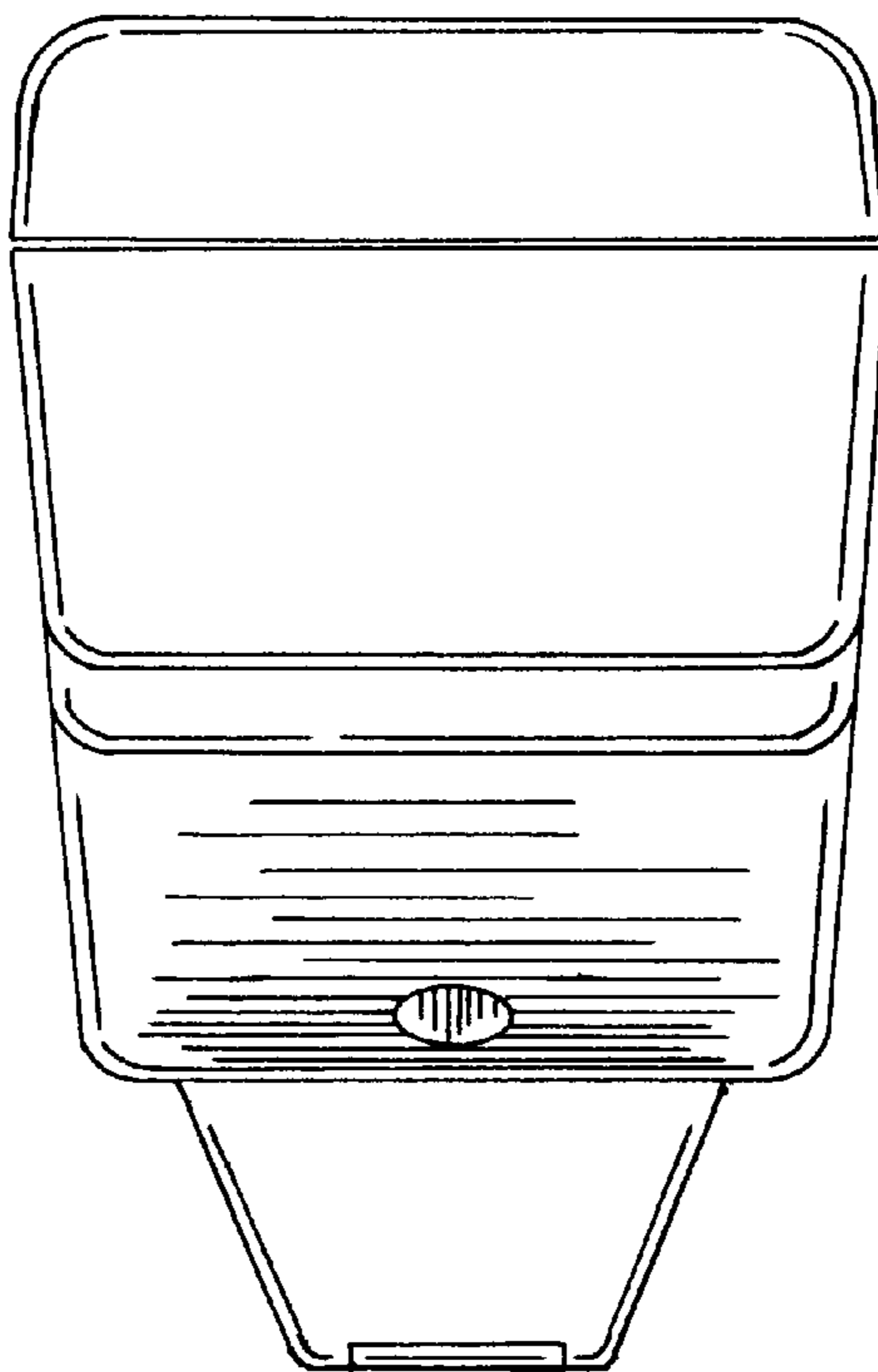


FIG. 6