



US00D427535S

United States Patent [19]
Suurmeijer

[11] **Patent Number: Des. 427,535**
[45] **Date of Patent: ** Jul. 4, 2000**

[54] **ELECTRICAL PROBE**

D. 409,930 5/1999 Suurmeijer .
5,898,299 3/1999 Fodali 324/149

[75] Inventor: **Christian Peter Suurmeijer,**
Amersfoort, Netherlands

Primary Examiner—Antoine Duval Davis
Attorney, Agent, or Firm—George T. Noe

[73] Assignee: **Fluke Corporation,** Everett, Wash.

[57] **CLAIM**

[**] Term: **14 Years**

The ornamental design for an electrical probe, as shown and described.

[21] Appl. No.: **29/113,179**

DESCRIPTION

[22] Filed: **Oct. 29, 1999**

FIG. 1 is a perspective view of a an embodiment of an electrical probe showing my new design;
FIG. 2 is a left side elevation view thereof;
FIG. 3 is a front elevation view thereof;
FIG. 4 is a top plan view thereof;
FIG. 5 is a rear elevation view thereof;
FIG. 6 is a right side elevation view thereof; and,
FIG. 7 is a bottom plan view thereof.
The broken line showing is for illustrative purposes only and forms no part of the claimed design.

[51] **LOC (7) Cl.** **10-04**

[52] **U.S. Cl.** **D10/78**

[58] **Field of Search** D10/78; 324/72.5,
324/149, 156, 508, 509, 538; 340/815.74

[56] **References Cited**

U.S. PATENT DOCUMENTS

- D. 344,681 3/1994 Nightingale et al. D10/78
- D. 346,122 4/1994 Nightingale et al. D10/78
- D. 409,929 5/1999 Fisher et al. D10/78

1 Claim, 1 Drawing Sheet

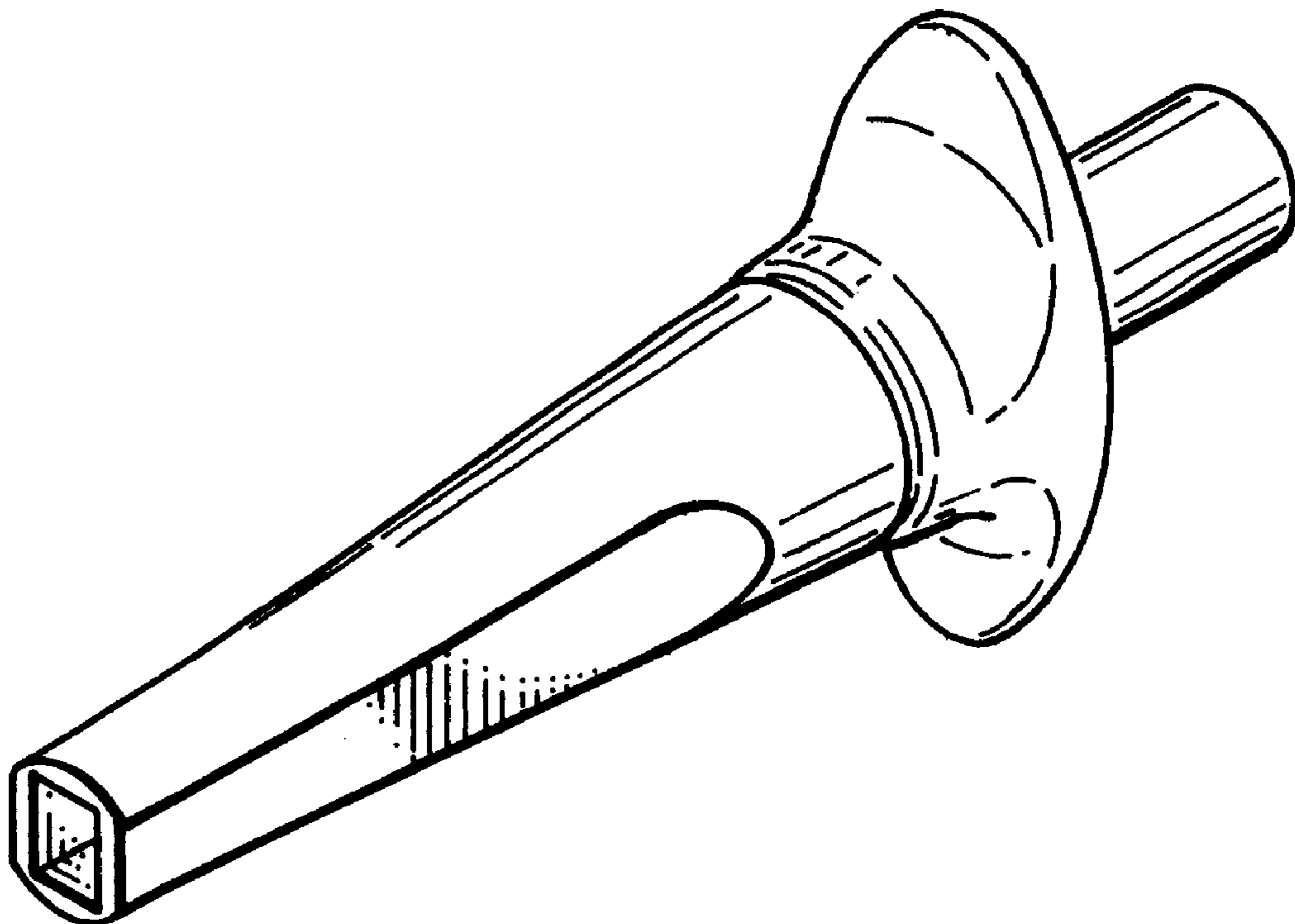


FIG. 1

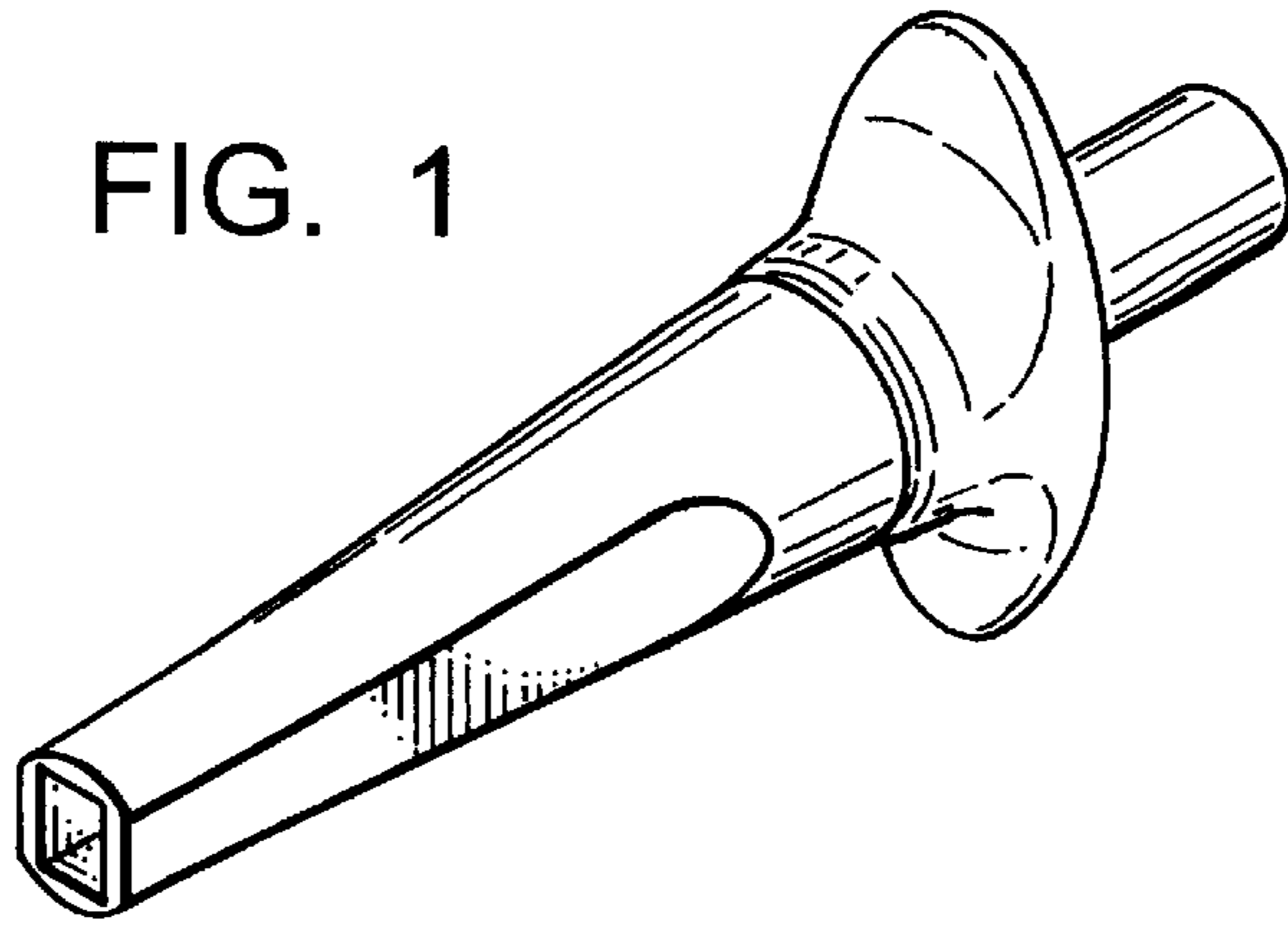


FIG. 2

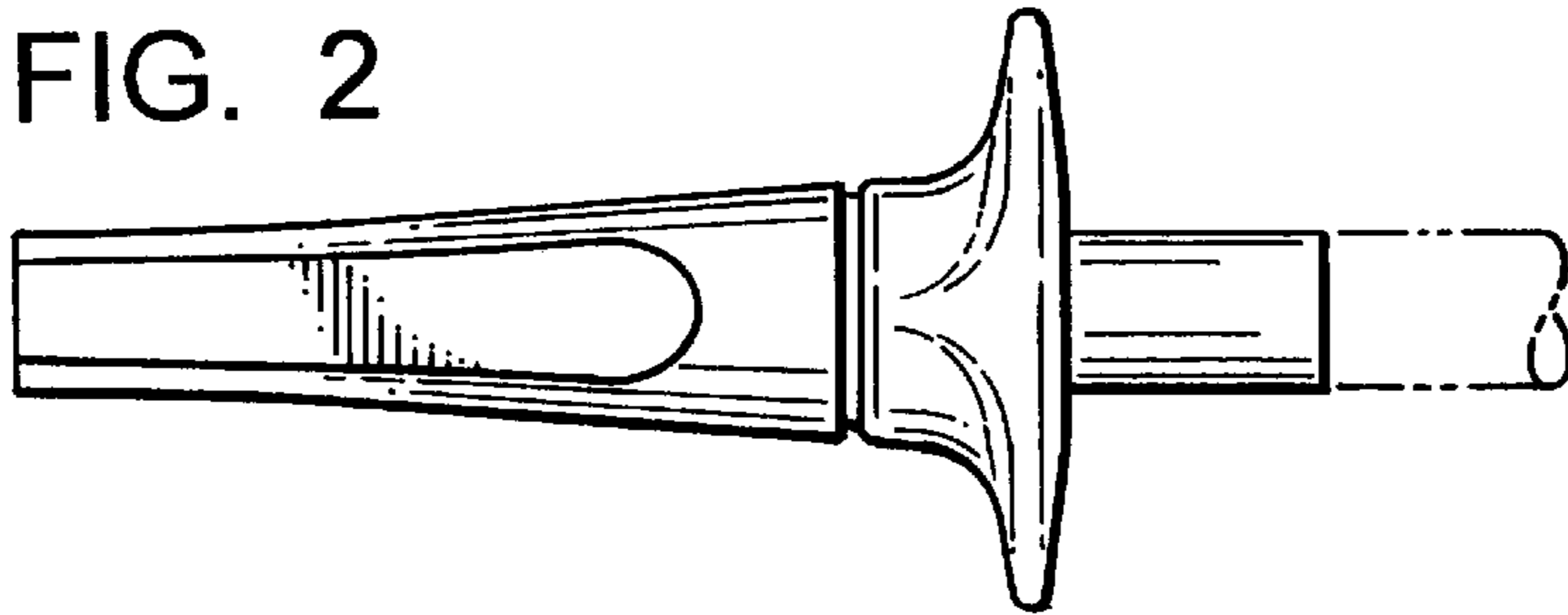


FIG. 3

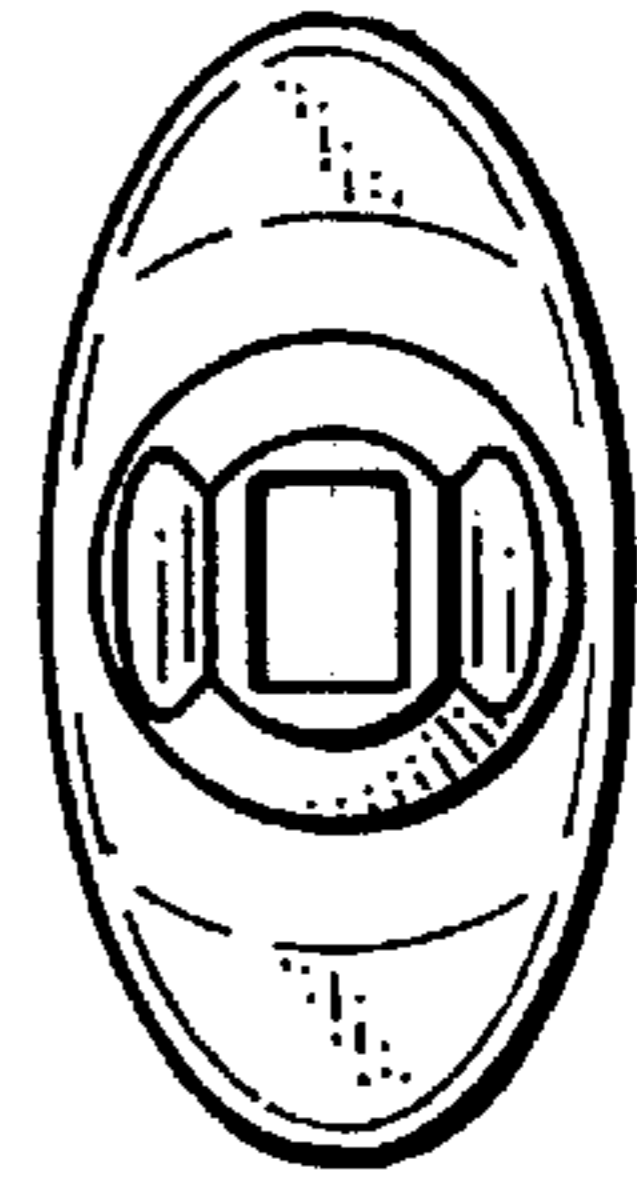


FIG. 4



FIG. 5

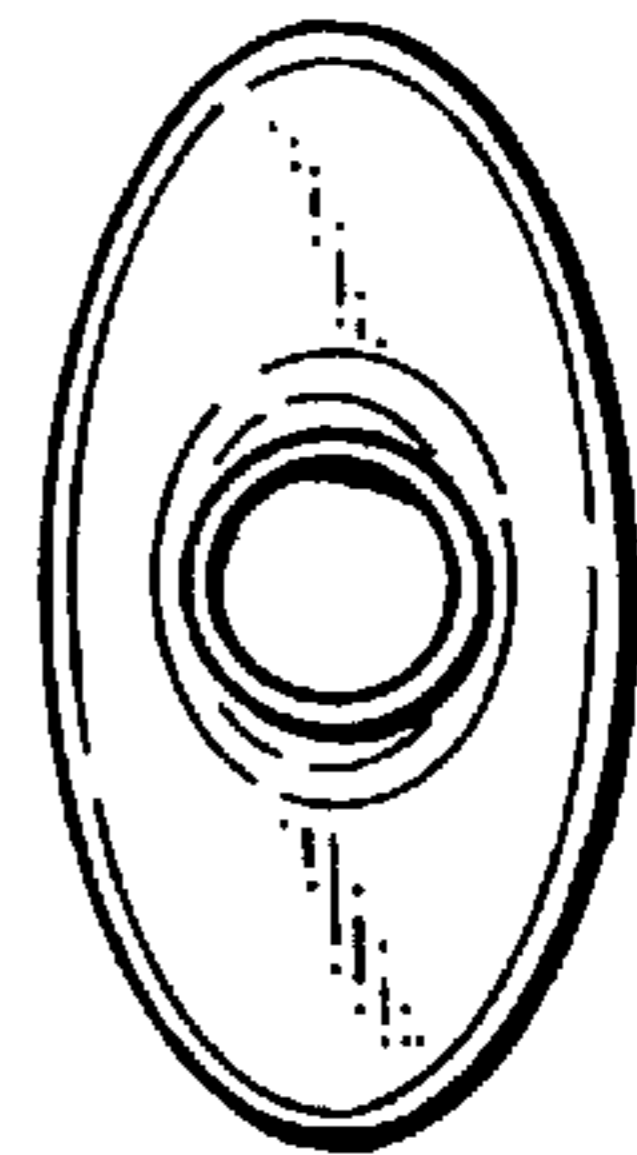


FIG. 6

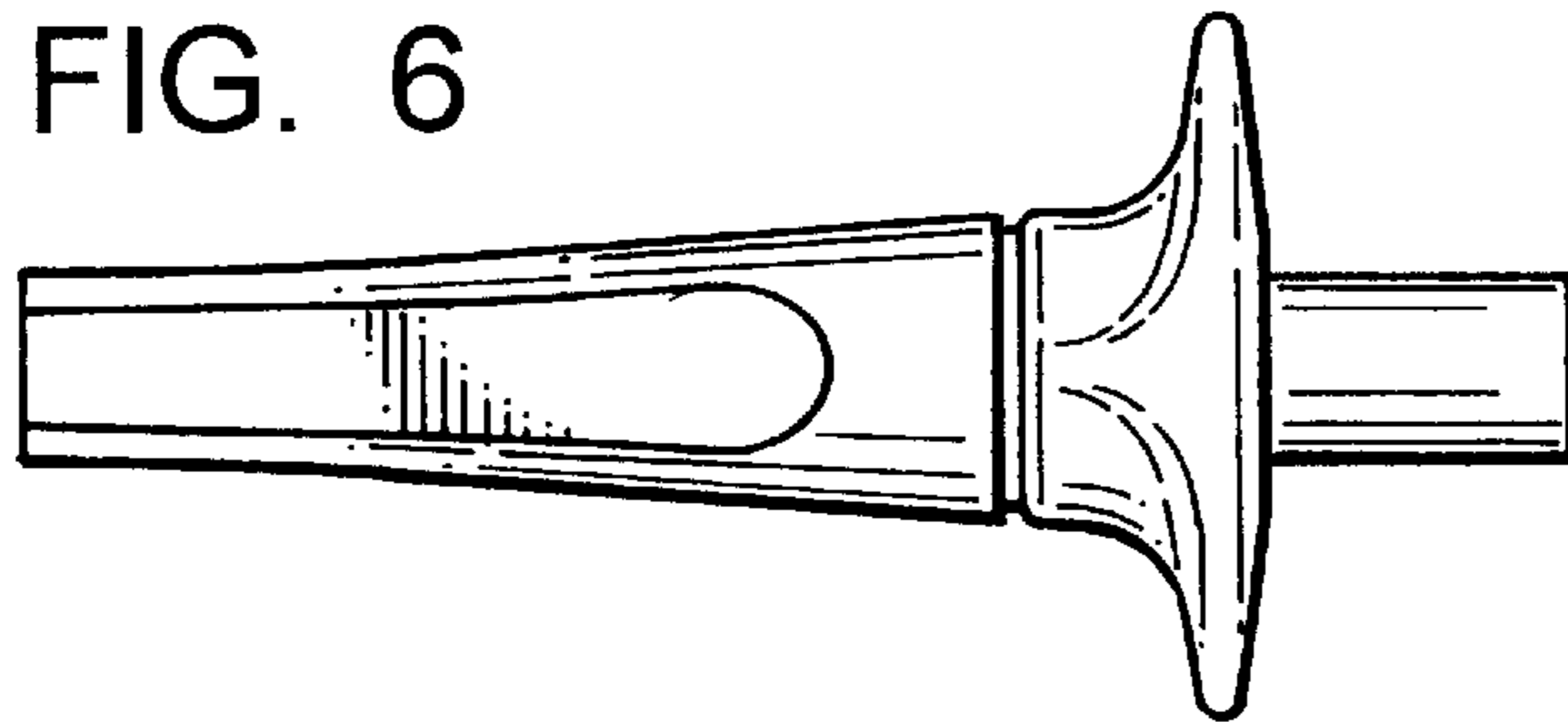


FIG. 7

