



US00D427534S

United States Patent [19] Beha

[11] **Patent Number: Des. 427,534**
[45] **Date of Patent: ** Jul. 4, 2000**

[54] **MEASURING INSTRUMENT**

[75] **Inventor: Christian Beha**, Glottertal, Germany

[73] **Assignee: Ch. Beha GmbH Technische Neuentwicklungen**, Glottertal, Germany

[**] **Term: 14 Years**

[21] **Appl. No.: 29/112,031**

[22] **Filed: Oct. 4, 1999**

[30] **Foreign Application Priority Data**

Apr. 19, 1999 [DE] Germany 136 62 580
Apr. 19, 1999 [WO] WIPO DM/048051

[51] **LOC (7) Cl. 10-04**

[52] **U.S. Cl. D10/78**

[58] **Field of Search** D10/46, 78; 324/72.5,
324/110, 114, 115, 149, 151 A, 151 R,
67, 108

[56] **References Cited**

U.S. PATENT DOCUMENTS

D. 389,419 1/1998 Beha D10/78
D. 400,454 11/1998 Arnoux et al. D10/78

Primary Examiner—Antoine Duval Davis
Attorney, Agent, or Firm—Nath & Associates PLLC; Gary M. Nath; Harold L. Novick

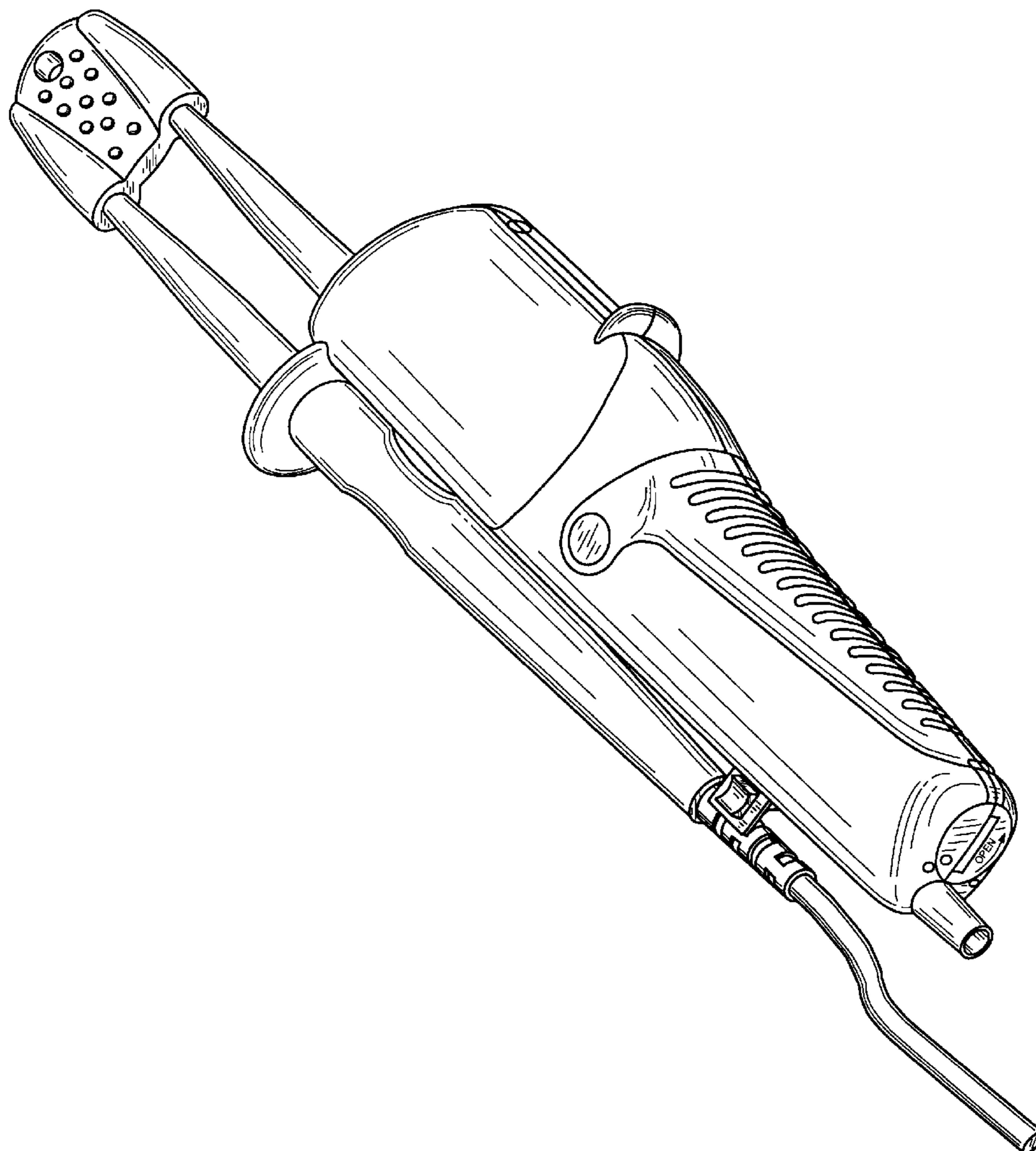
[57] **CLAIM**

The ornamental design for a measuring instrument, as shown and described.

DESCRIPTION

FIG. 1 is a perspective view of the measuring instrument; FIG. 2 is a right side view of the measuring instrument; FIG. 3 is a left side view of the measuring instrument; FIG. 4 is a bottom view of the measuring instrument; FIG. 5 is a top view of the measuring instrument; FIG. 6 is a front end view of the measuring instrument; and, FIG. 7 is a back end view of the measuring instrument.

1 Claim, 5 Drawing Sheets



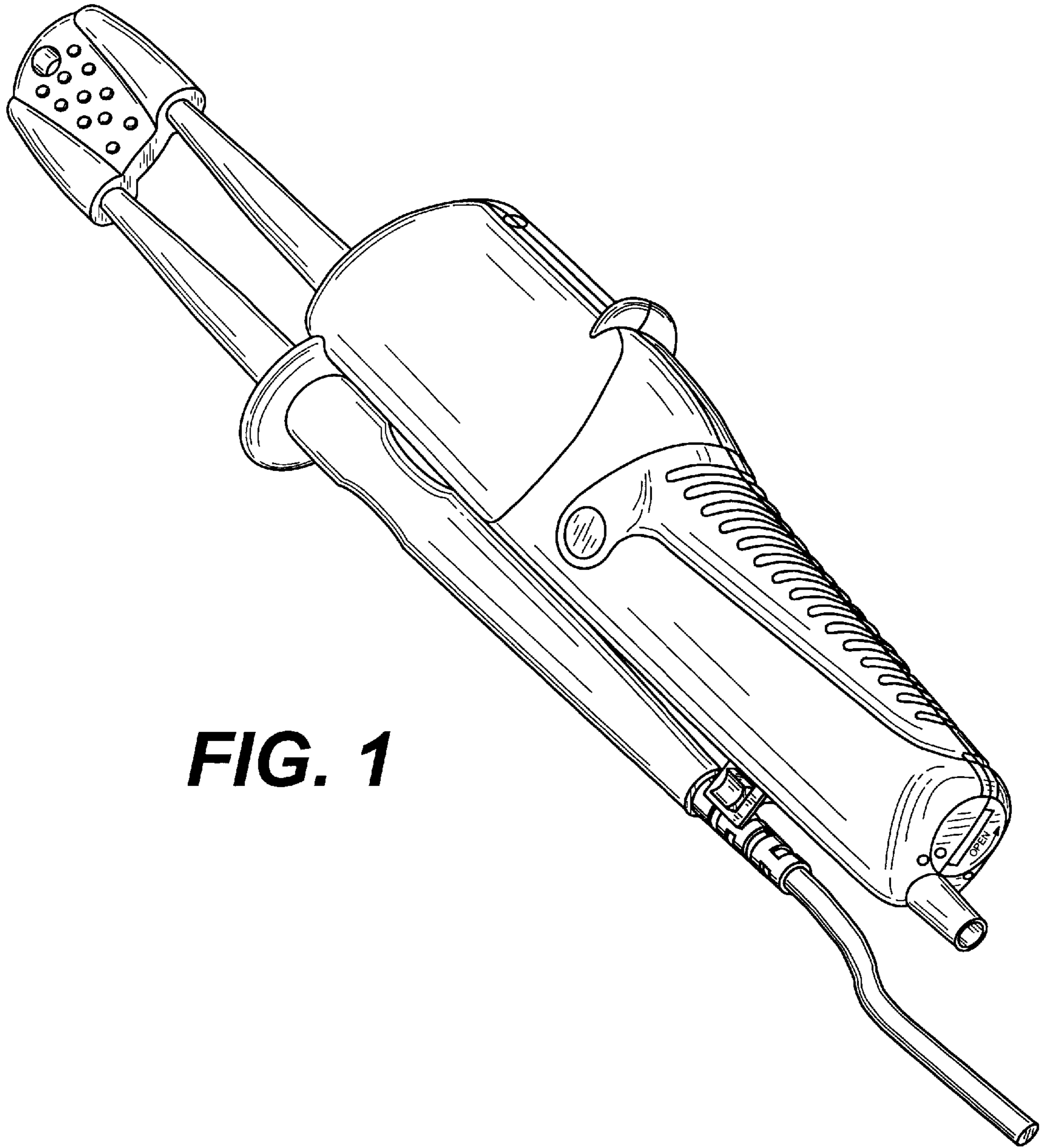


FIG. 1

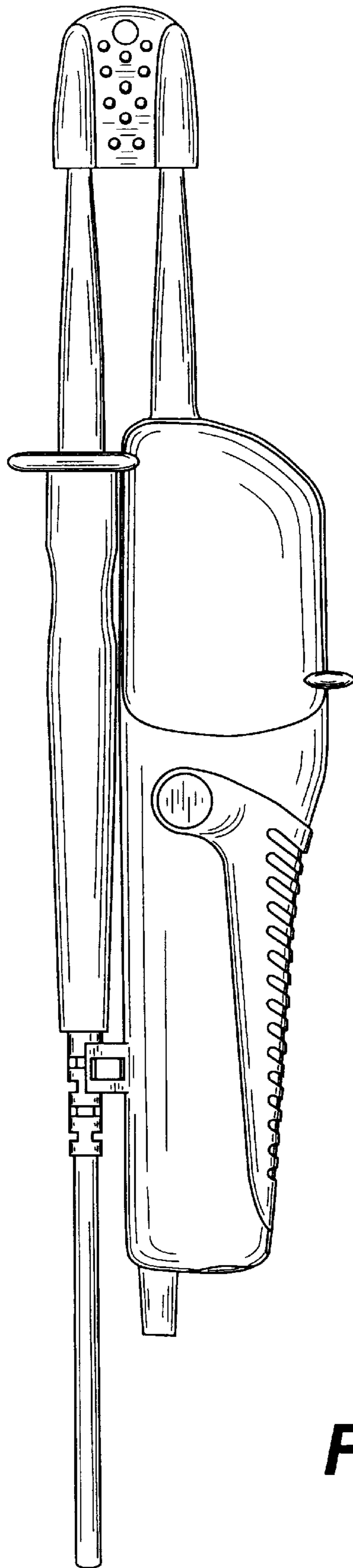


FIG. 2

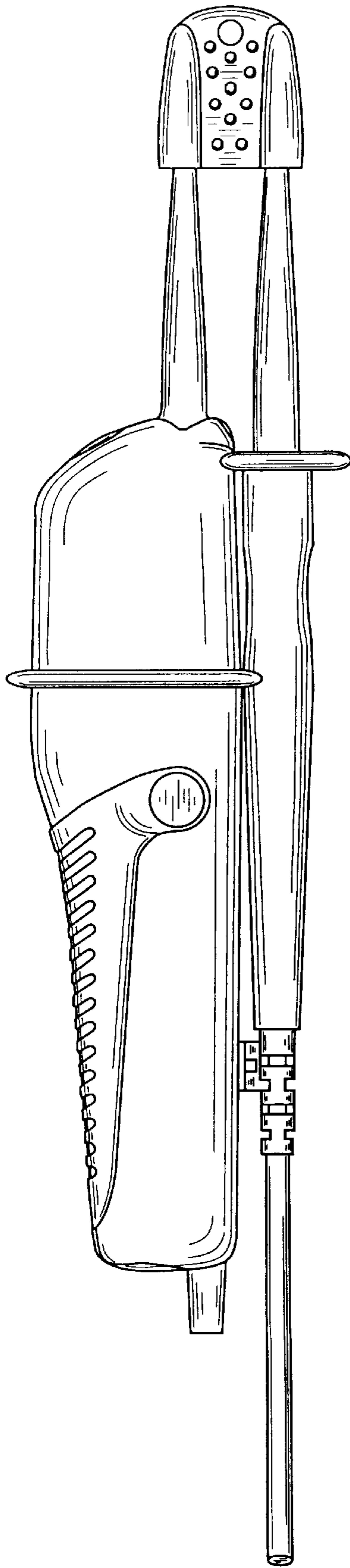


FIG. 3

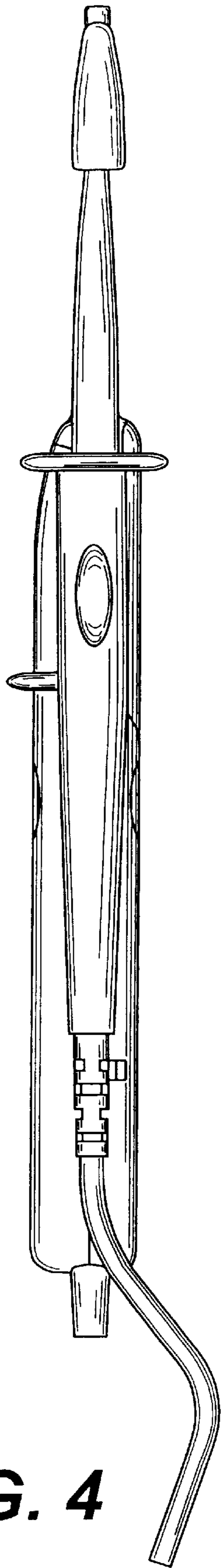


FIG. 4

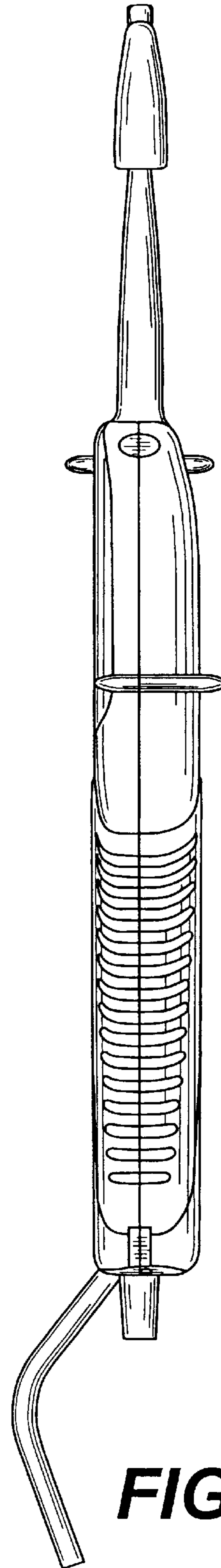


FIG. 5

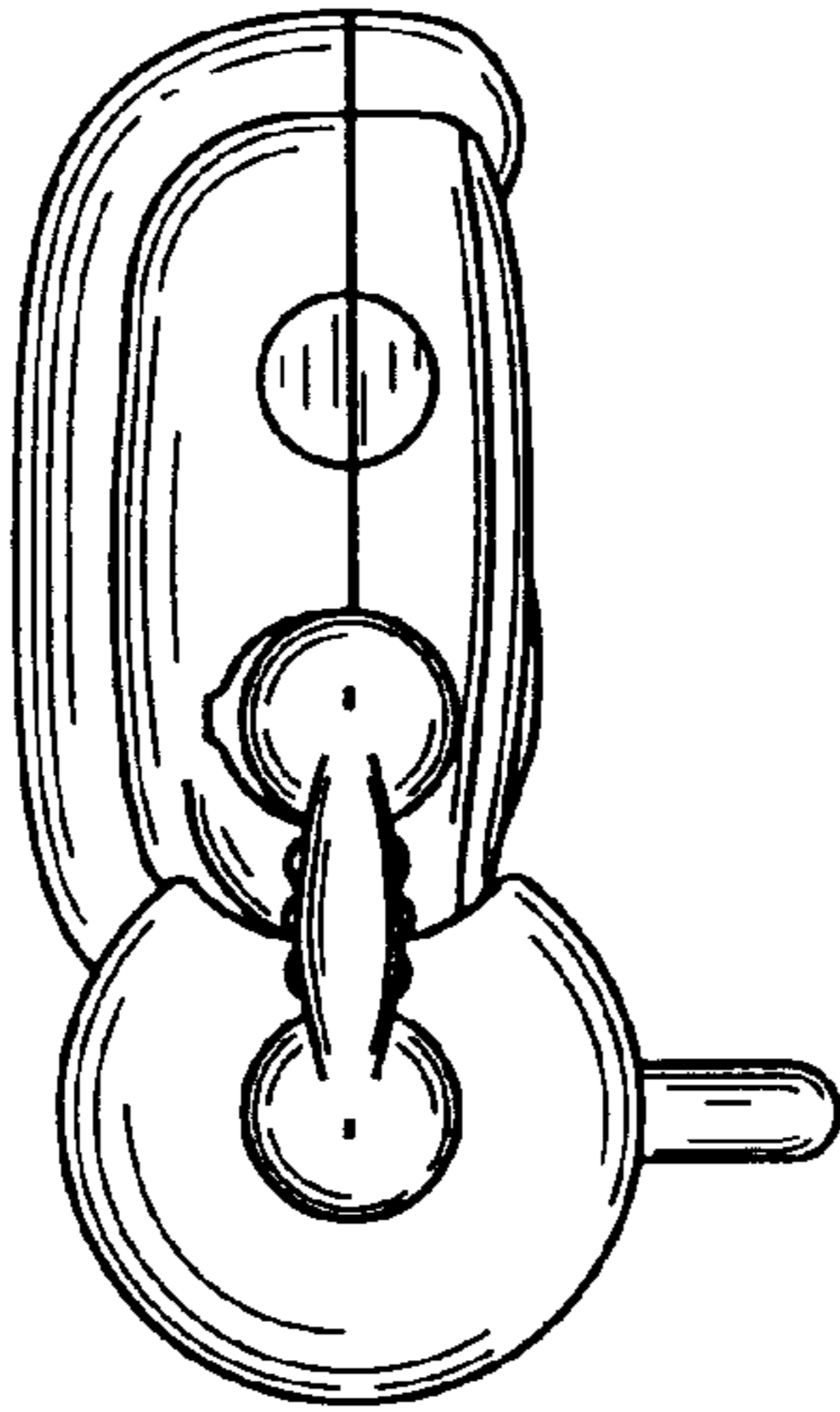


FIG. 6

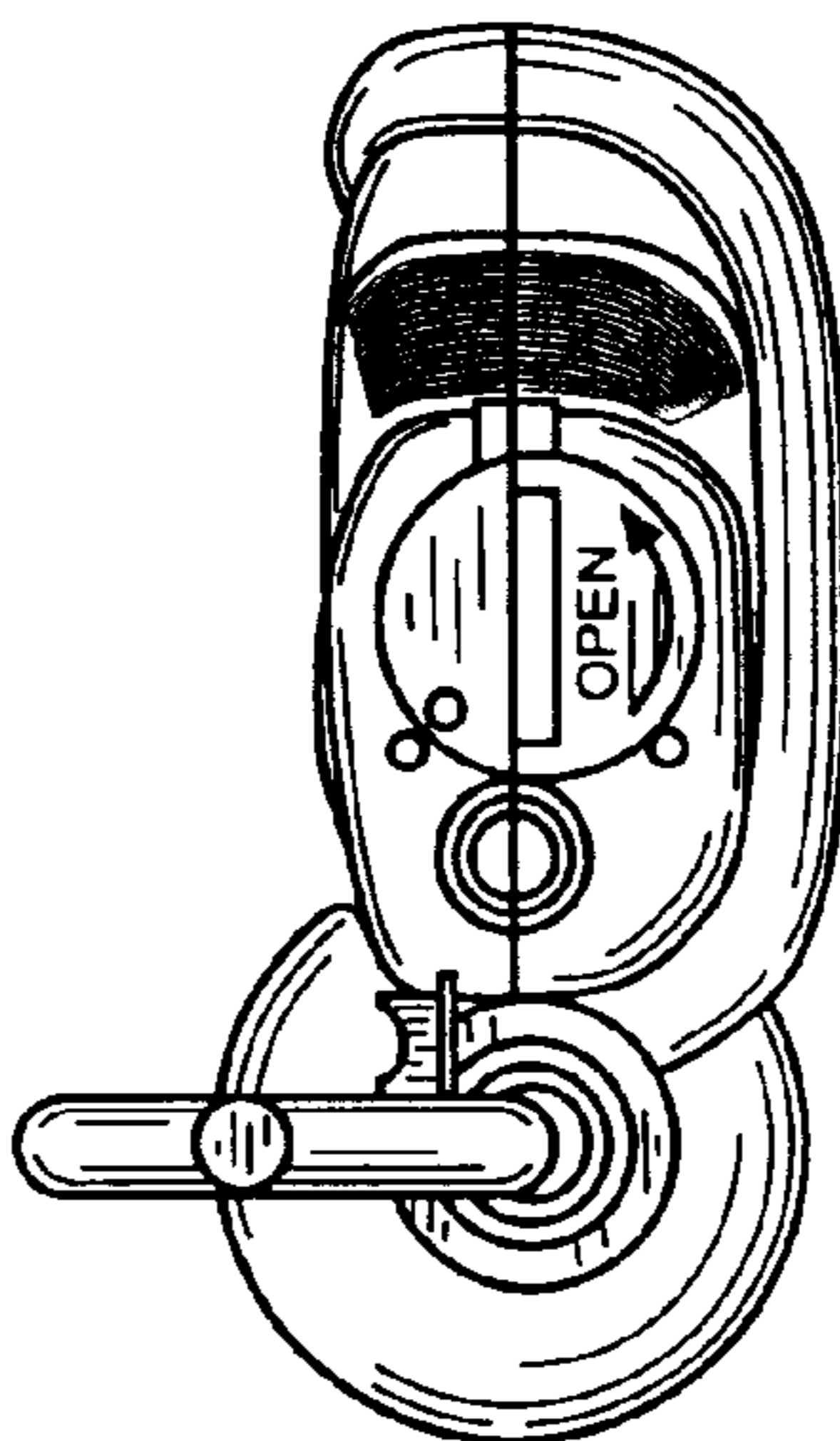


FIG. 7