



US00D427532S

United States Patent [19]

[11] Patent Number: Des. 427,532

Hartmann et al.

[45] Date of Patent: ** Jul. 4, 2000

[54] COMPASS

1,996,354 4/1935 Showalter .
2,011,775 8/1935 Reichel et al. .

[75] Inventors: **Jerome J. Hartmann**, Carlisle; **Patrick L. Ohm**, Norwalk, both of Iowa; **Stephen J. McPhilliamy**; **William Webb**, both of Chicago, Ill.

(List continued on next page.)

[73] Assignee: **Cobbs Manufacturing Company**, Des Moines, Iowa

FOREIGN PATENT DOCUMENTS

[**] Term: **14 Years**

593133 2/1960 Canada .
970703 1/1951 France .
1501933 11/1967 France .
158060 7/1903 Germany .
211863 3/1932 Germany .
585698 12/1932 Germany .

[21] Appl. No.: **29/109,337**

OTHER PUBLICATIONS

[22] Filed: **Aug. 12, 1999**

[51] LOC (7) Cl. **10-04**

[52] U.S. Cl. **D10/68**

[58] Field of Search D10/68; 33/348,
33/355 R-361, 364, 355 D

Cobbs Automotive Convenience Products, Marketing Brochure, Cobbs Manufacturing Company, 1987, pp. 2,3 and 9 showing various compasses.

Cobbs Lifestyle Accessories, Marketing Brochure, Cobbs Manufacturing Company, 1995, pp. 20, 22 and 23 showing various compasses.

Cobbs Lifestyle Accessories, Marketing Brochure, Cobbs Manufacturing Company, 1996, pp. 24 and 25 showing various compasses.

Cobbs Lifestyle Accessories, Marketing Brochure, Cobbs Manufacturing Company, 1997, pp. 5 and 8 showing various compasses.

Damark Brochure, pp. 37 showing a digital electronic compass.

Primary Examiner—Antoine Duval Davis

Attorney, Agent, or Firm—Dick and Harris

[56] References Cited

U.S. PATENT DOCUMENTS

- 14,251 2/1856 Prime .
- 103,701 5/1870 Arson .
- D. 227,403 6/1973 Yusa .
- D. 228,573 10/1973 Yusa .
- D. 228,574 10/1973 Yusa .
- D. 268,171 3/1983 Macowski .
- D. 297,127 8/1988 Keohan et al. .
- D. 299,438 1/1989 Iacovelli et al. .
- D. 369,305 4/1996 Shih D10/68
- 378,528 2/1888 Sirieix .
- D. 395,833 7/1998 Richter D10/68
- 551,295 12/1895 Sirieix .
- 619,618 2/1899 Rellstab .
- 1,235,633 8/1917 Anderson .
- 1,459,274 6/1923 Yokoyama .
- 1,610,931 12/1926 Colvin .
- 1,819,310 8/1931 Wilson .
- 1,881,207 10/1932 Martin .
- 1,922,864 8/1933 Rhea .
- 1,925,863 9/1933 Crocker .
- 1,933,194 10/1933 Urfer .
- 1,968,556 7/1934 Innis .
- 1,973,808 9/1934 Hand .
- 1,982,405 11/1934 Titterington .
- 1,990,940 2/1935 Hand .

[57] CLAIM

The ornamental design for a compass, as shown and described.

DESCRIPTION

FIG. 1 is a perspective view of the compass showing a new ornamental design therefor;

FIG. 2 is a side elevational view thereof;

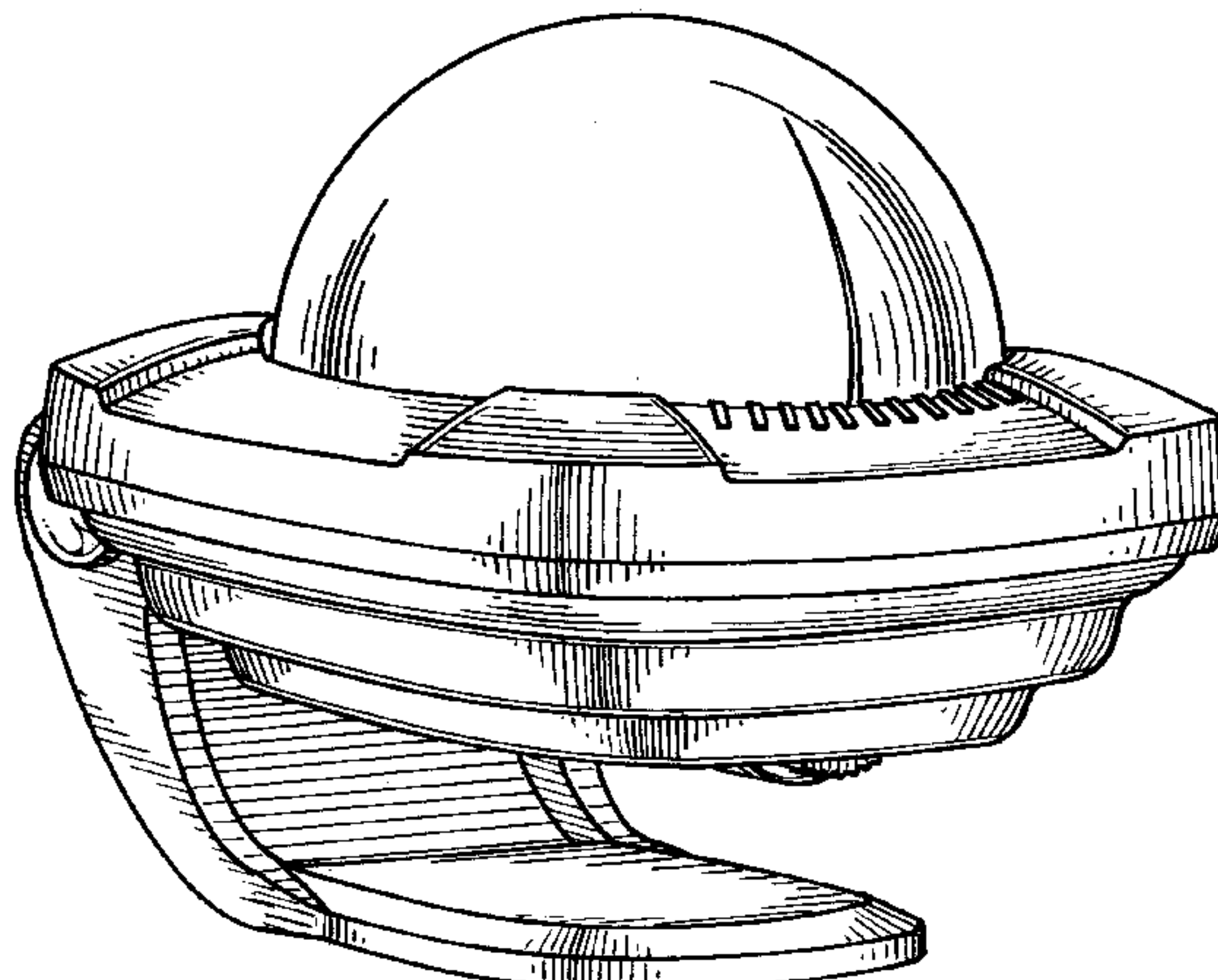
FIG. 3 is a front elevational view thereof;

FIG. 4 is a rear elevational view thereof;

FIG. 5 is a top plan view thereof; and,

FIG. 6 is a bottom plan view thereof.

1 Claim, 3 Drawing Sheets



U.S. PATENT DOCUMENTS

2,018,536	10/1935	Salzgeber .	2,903,798	9/1959	Taylor .
2,020,905	11/1935	Robert .	2,941,307	6/1960	Frisbie .
2,056,715	10/1936	Dinsmore .	3,068,583	12/1962	Goshen .
2,078,574	4/1937	Kollsman .	3,261,103	7/1966	Bosland et al. .
2,177,218	10/1939	Klein et al. .	3,300,867	1/1967	Sampson .
2,188,821	1/1940	Rylsky .	3,502,857	3/1970	Cleveland et al. .
2,310,041	2/1943	Sherrill .	3,949,483	4/1976	White .
2,375,329	5/1945	Sperrill .	4,438,568	3/1984	Kramer et al. .
2,390,844	12/1945	McNish .	4,453,317	6/1984	Rahn .
2,411,866	12/1946	Braddon .	4,505,054	3/1985	Clark et al. .
2,487,044	11/1949	Cude .	4,656,751	4/1987	White et al. .
2,738,412	3/1956	Spencer et al. .	5,107,597	4/1992	Kato .
2,775,045	12/1956	Kadlec .	5,528,837	6/1996	Hartmann et al. .

Fig 1

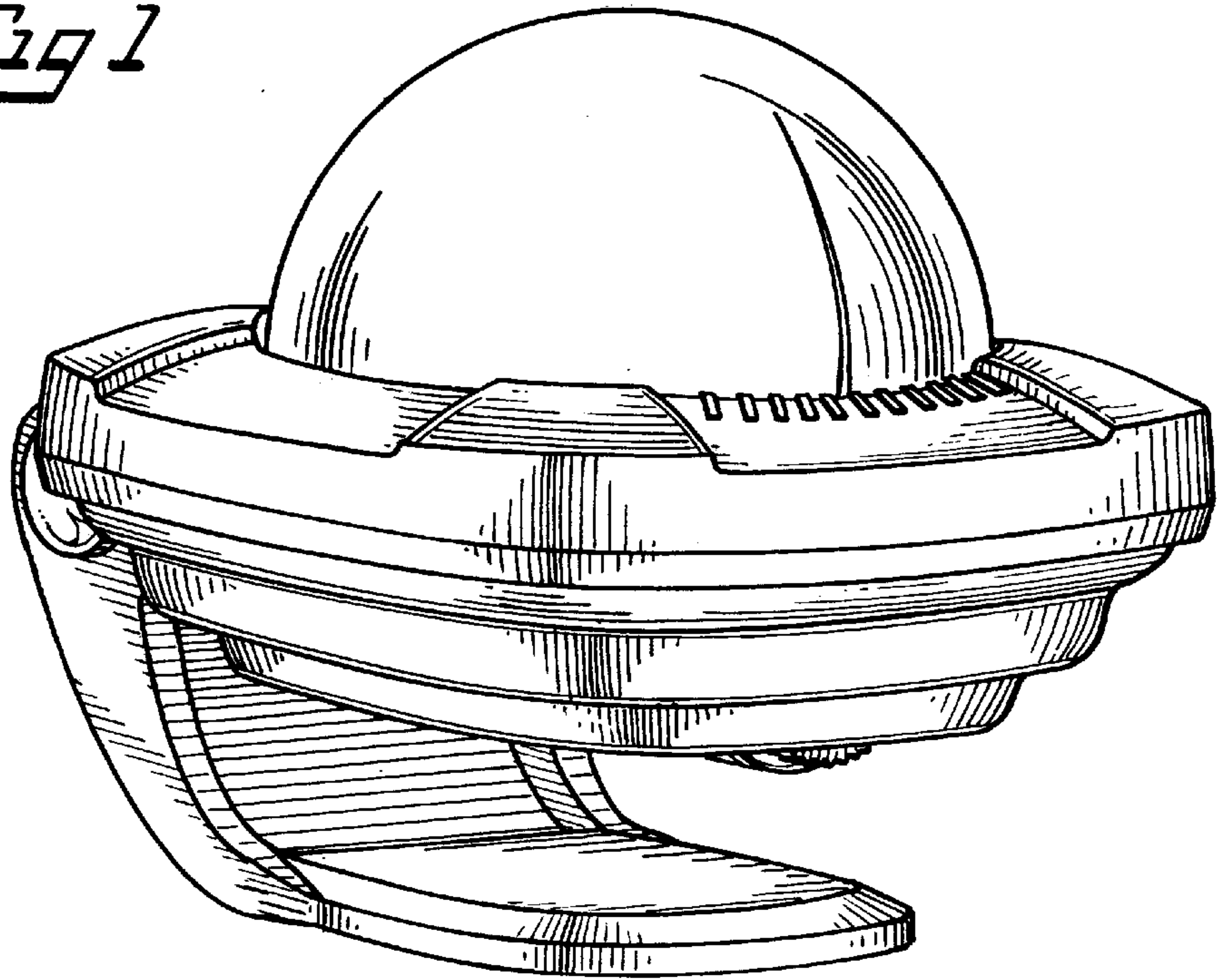


Fig 2

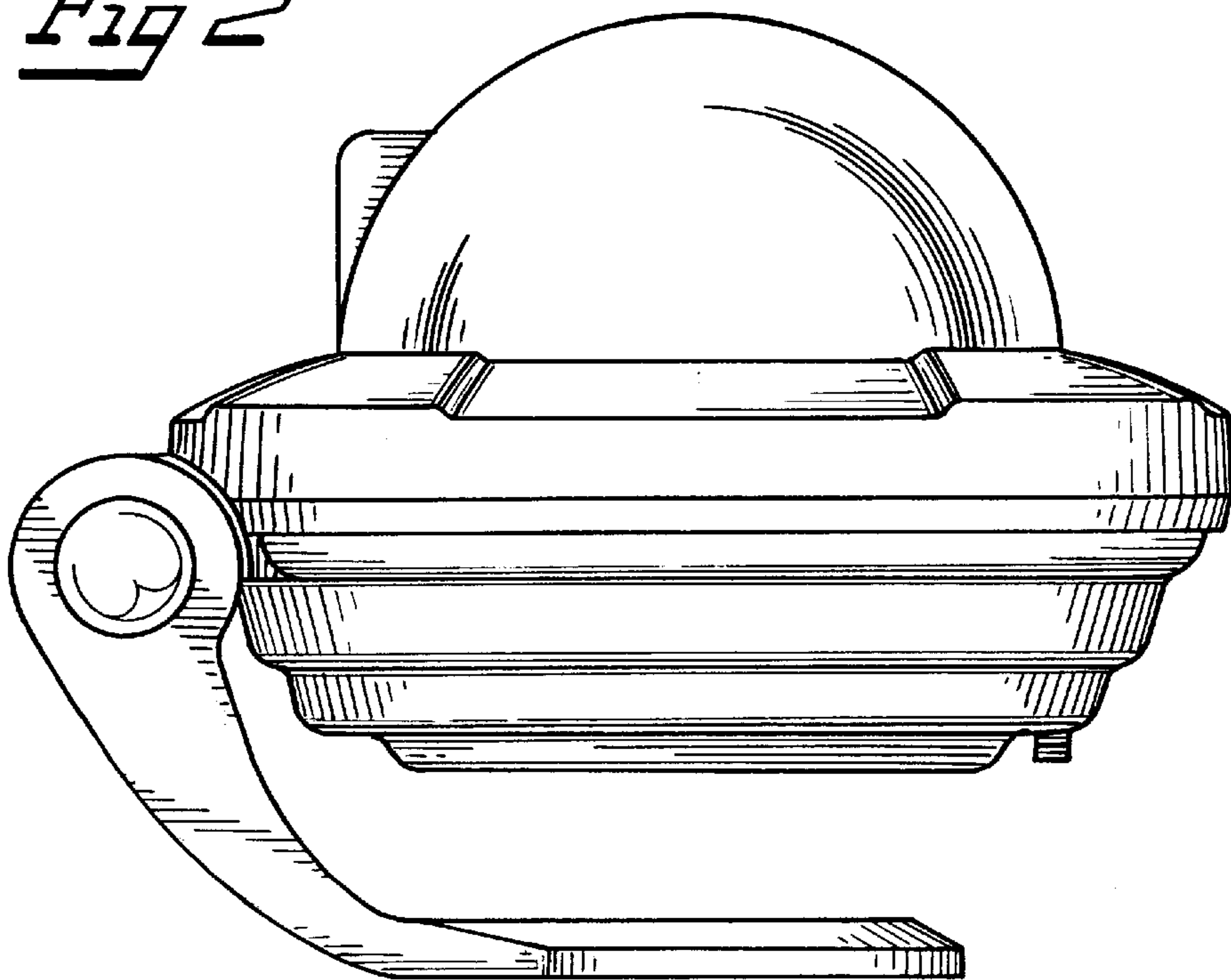


Fig 3

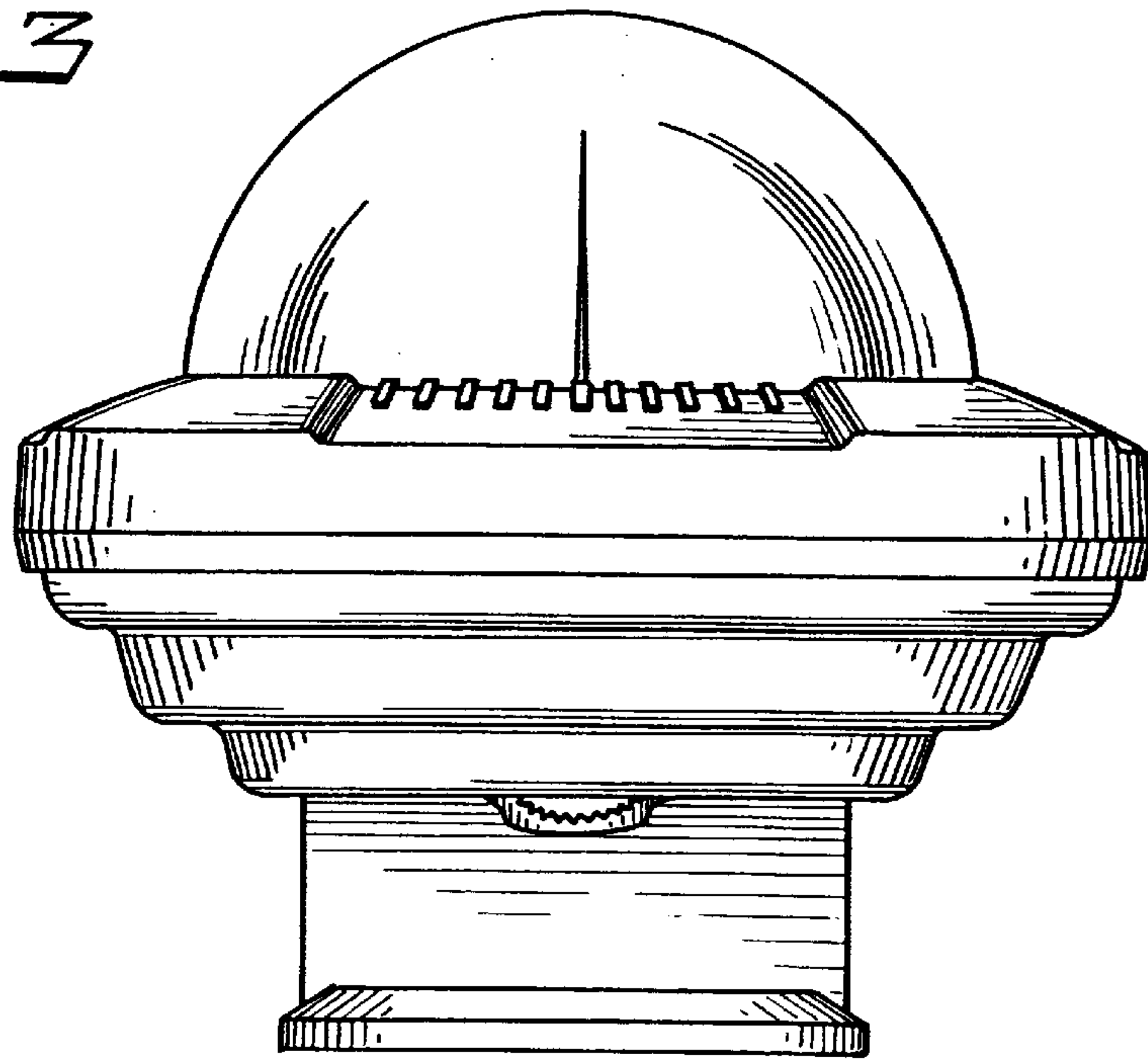


Fig 4

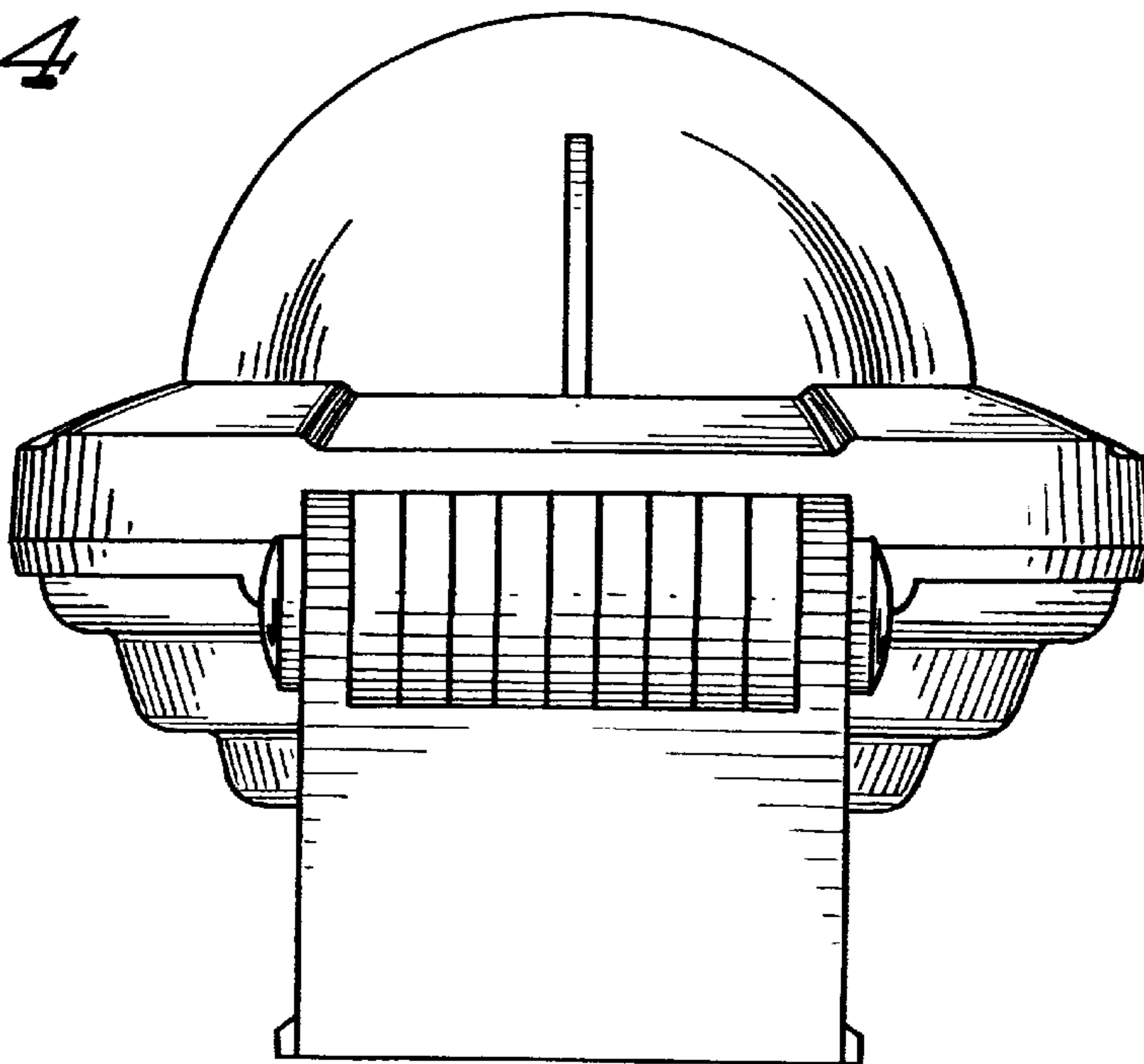


Fig 5

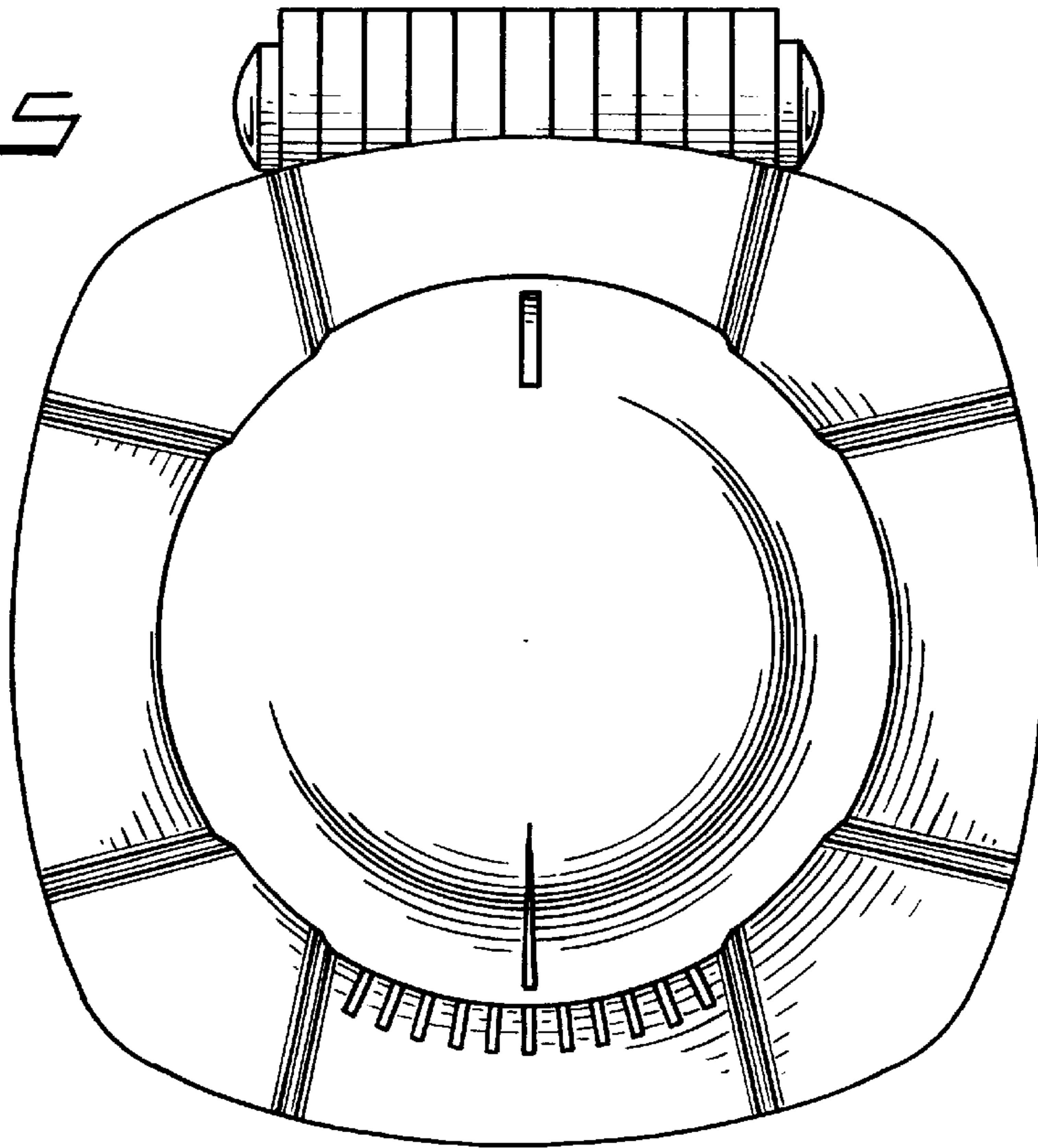


Fig 6

