



US00D427531S

United States Patent [19]

Hartmann et al.

[11] Patent Number: Des. 427,531

[45] Date of Patent: ** Jul. 4, 2000

[54] COMPASS

1,990,940 2/1935 Hand .

[75] Inventors: **Jerome J. Hartmann**, Carlisle; **Patrick L. Ohm**, Norwalk, both of Iowa; **Stephen J. McPhilliamy**; **William Webb**, both of Chicago, Ill.

(List continued on next page.)

[73] Assignee: **Cobbs Manufacturing Company**, Des Moines, Iowa

[**] Term: **14 Years**

FOREIGN PATENT DOCUMENTS

593133	2/1960	Canada .
970703	1/1951	France .
1501933	11/1967	France .
158060	7/1903	Germany .
225752	2/1910	Germany .
211863	3/1932	Germany .
585698	12/1932	Germany .

[21] Appl. No.: **29/109,336**

OTHER PUBLICATIONS

[22] Filed: **Aug. 12, 1999**

Cobbs Automotive Convenience Products, Marketing Brochure, Cobbs Manufacturing Company, 1987, pp. 2, 3 and 9 showing various compasses.

[51] **LOC (7) Cl.** **10-04**

[52] **U.S. Cl.** **D10/68**

[58] **Field of Search** D10/68; 33/348, 33/355 D, 355 R, 361, 365

Cobbs Lifestyle Accessories, Marketing Brochure, Cobbs Manufacturing Company, 1995, pp. 22 and 23 showing various compasses.

[56] References Cited

Cobbs Lifestyle Accessories, Marketing Brochure, Cobbs Manufacturing Company, 1996, pp. 24 and 25 showing various compasses.

U.S. PATENT DOCUMENTS

14,251	2/1856	Prime .	
103,701	5/1870	Arson .	
D. 227,403	6/1973	Yusa .	
D. 228,573	10/1973	Yusa .	
D. 228,574	10/1973	Yusa .	
D. 268,171	3/1983	Macowski .	
D. 297,127	8/1988	Keohan et al. .	
D. 299,438	1/1989	Iacovelli et al. .	
D. 369,305	4/1996	Shih	D10/68
378,528	2/1888	Sirieix .	
D. 395,833	4/1996	Richter	D10/68
551,295	12/1895	Sirieix .	
619,618	2/1899	Rellstab .	
1,235,633	8/1917	Anderson et al. .	
1,459,274	6/1923	Yokoyama .	
1,610,931	12/1926	Colvin .	
1,819,310	8/1931	Wilson .	
1,881,207	10/1932	Martin .	
1,922,864	8/1933	Rhea .	
1,925,863	9/1933	Crocker .	
1,933,194	10/1933	Urfer .	
1,968,556	7/1934	Innis .	
1,973,808	9/1934	Hand .	
1,982,405	11/1934	Titterington .	

Cobbs Lifestyle Accessories, Marketing Brochure, Cobbs Manufacturing Company, 1997, pp. 8 and 17 showing various compasses.

Damark Brochure, pp. 37 showing a digital electronic compass.

Primary Examiner—Antoine Duval Davis
Attorney, Agent, or Firm—Dick and Harris

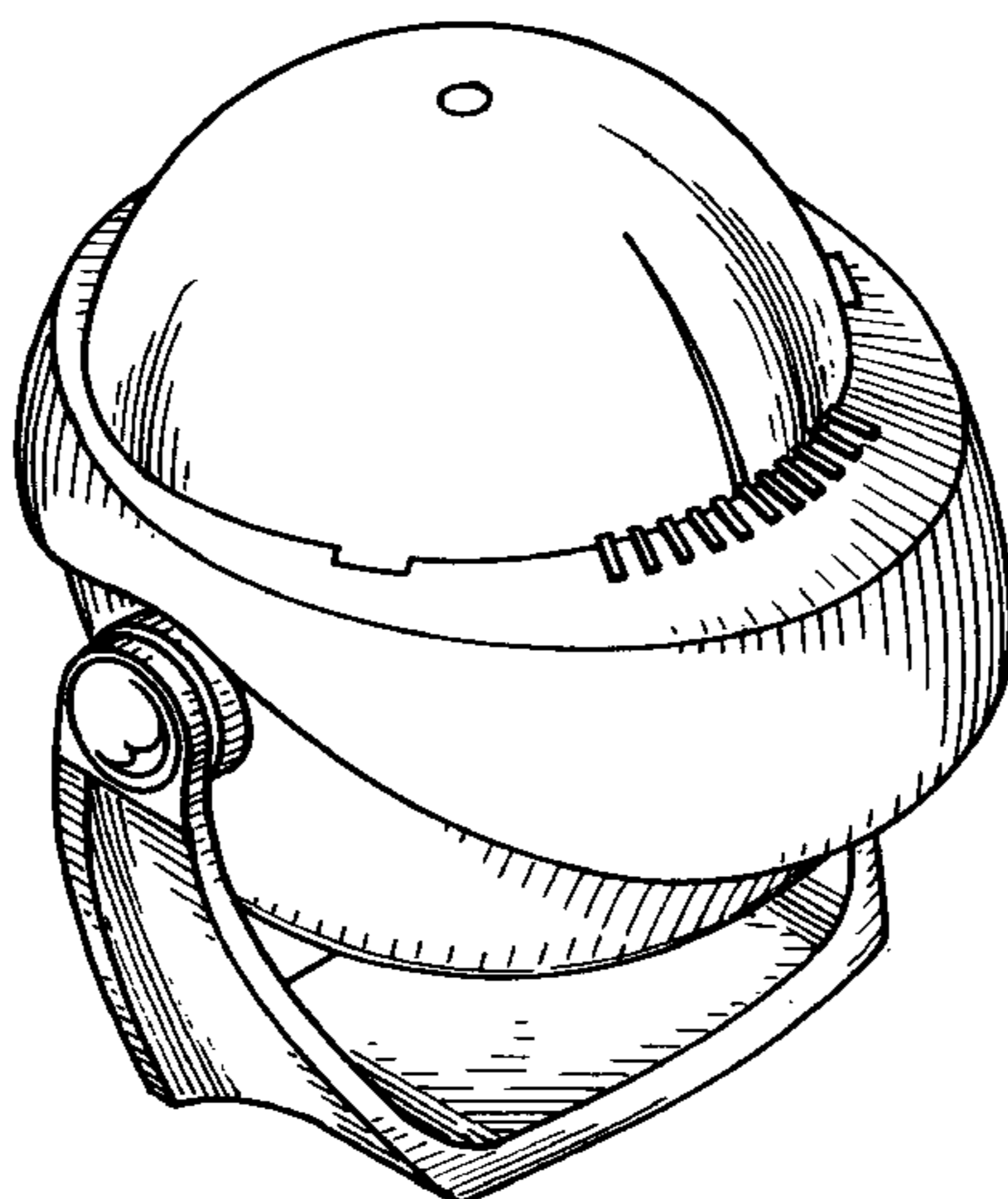
[57] CLAIM

The ornamental design for a compass, as shown and described.

DESCRIPTION

FIG. 1 is a perspective view of the compass showing a new ornamental design therefor; FIG. 2 is a side elevational view thereof; FIG. 3 is a front elevational view thereof; FIG. 4 is a rear elevational view thereof; FIG. 5 is a top plan view thereof; and, FIG. 6 is a bottom plan view thereof.

1 Claim, 3 Drawing Sheets



U.S. PATENT DOCUMENTS

1,996,354	4/1935	Showalter .	3,300,867	1/1967	Sampson .
2,011,775	8/1935	Reichel et al. .	3,502,857	3/1970	Cleveland et al. .
2,018,536	10/1935	Salzgeber .	3,609,336	9/1971	Coppola .
2,020,905	11/1935	Robert .	3,634,946	1/1972	Star .
2,056,715	10/1936	Dinsmore .	3,927,474	12/1975	Lapeyre et al. .
2,078,574	4/1937	Kollsman .	3,949,483	4/1976	White .
2,177,218	10/1939	Klein et al. .	4,089,118	5/1978	Howard .
2,188,821	1/1940	Rylsky .	4,190,962	3/1980	Lyman, Jr. .
2,310,041	2/1943	Sherrill .	4,438,568	3/1984	Kramer et al. .
2,375,329	5/1945	Sperrill .	4,453,317	6/1984	Rahn .
2,390,844	12/1945	McNish .	4,484,393	11/1984	LeFreniere .
2,411,866	12/1946	Braddon .	4,505,054	3/1985	Clark et al. .
2,487,044	11/1949	Cude .	4,506,450	3/1985	Fleming et al. .
2,738,412	3/1956	Spencer et al. .	4,656,751	4/1987	White et al. .
2,775,045	12/1956	Kadlec .	4,745,687	5/1988	Wilhelmy .
2,903,798	9/1959	Taylor .	4,899,453	2/1990	Bhat et al. .
2,941,307	6/1960	Frisbie .	5,025,567	6/1991	McWilliams et al. .
3,068,583	12/1962	Goshen .	5,107,597	4/1992	Kato .
3,261,103	7/1966	Bosland et al. .	5,448,835	9/1995	Lewis .
			5,528,837	6/1996	Hartmann et al. .

Fig 1

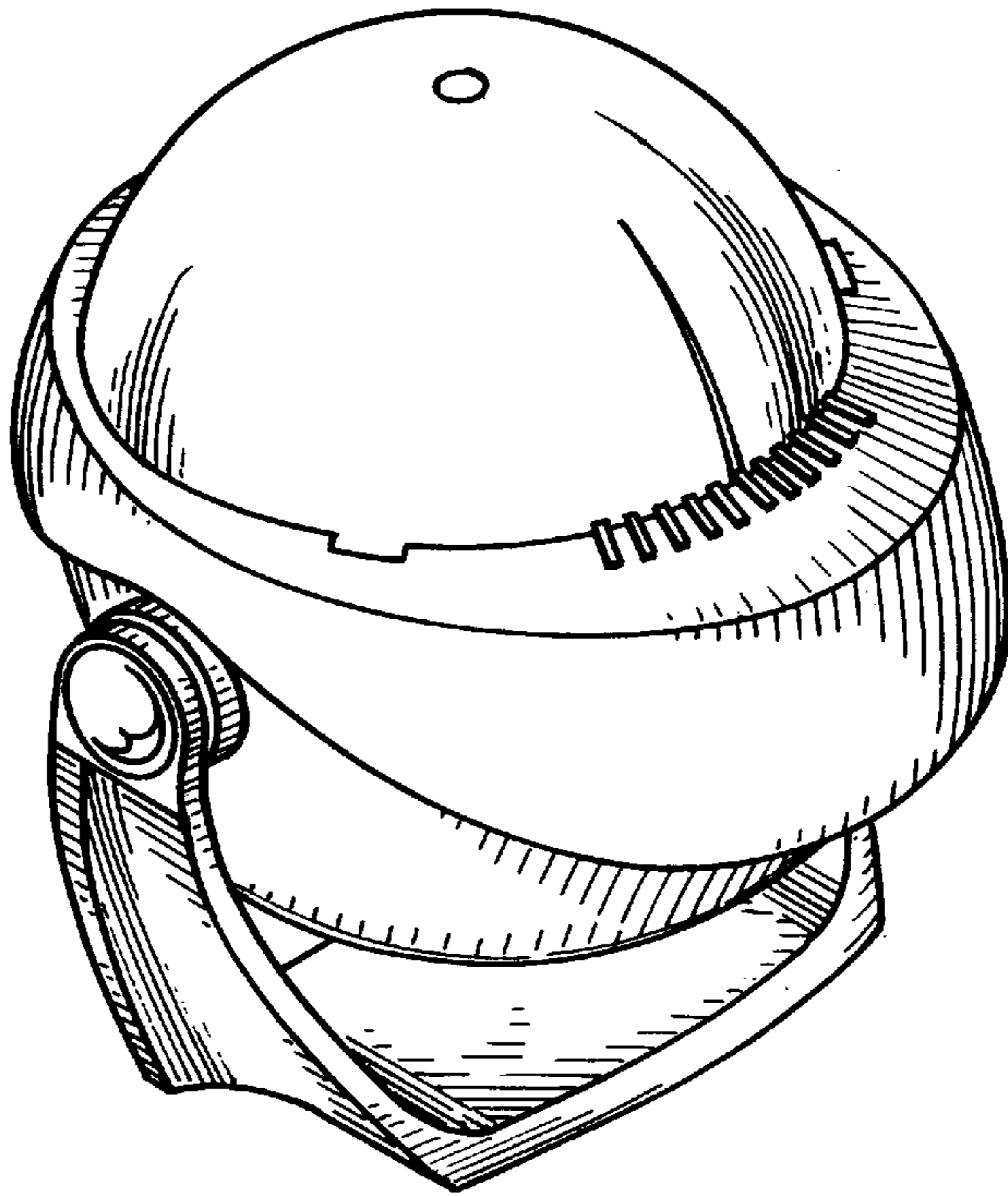


Fig 2

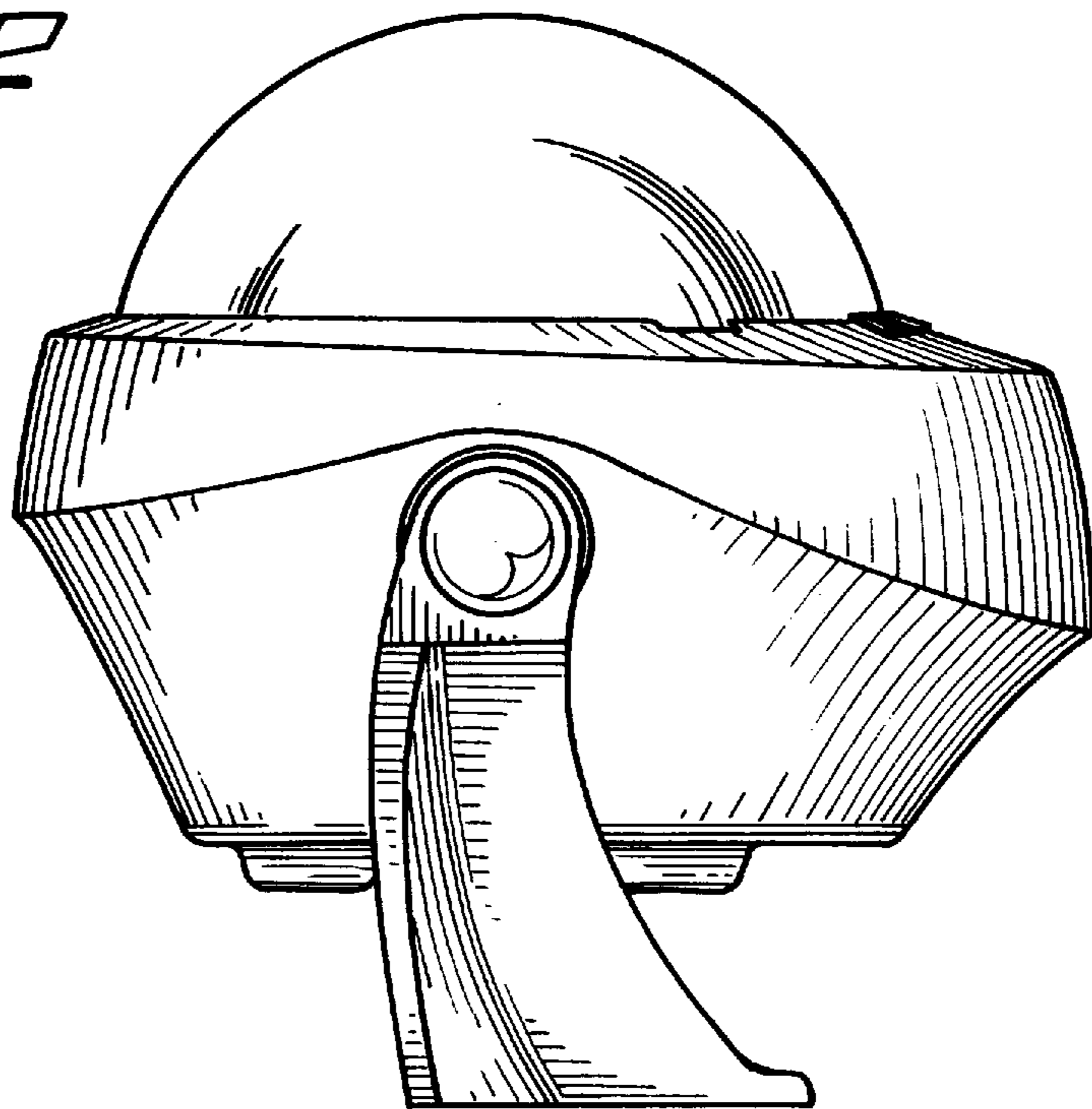


Fig 3

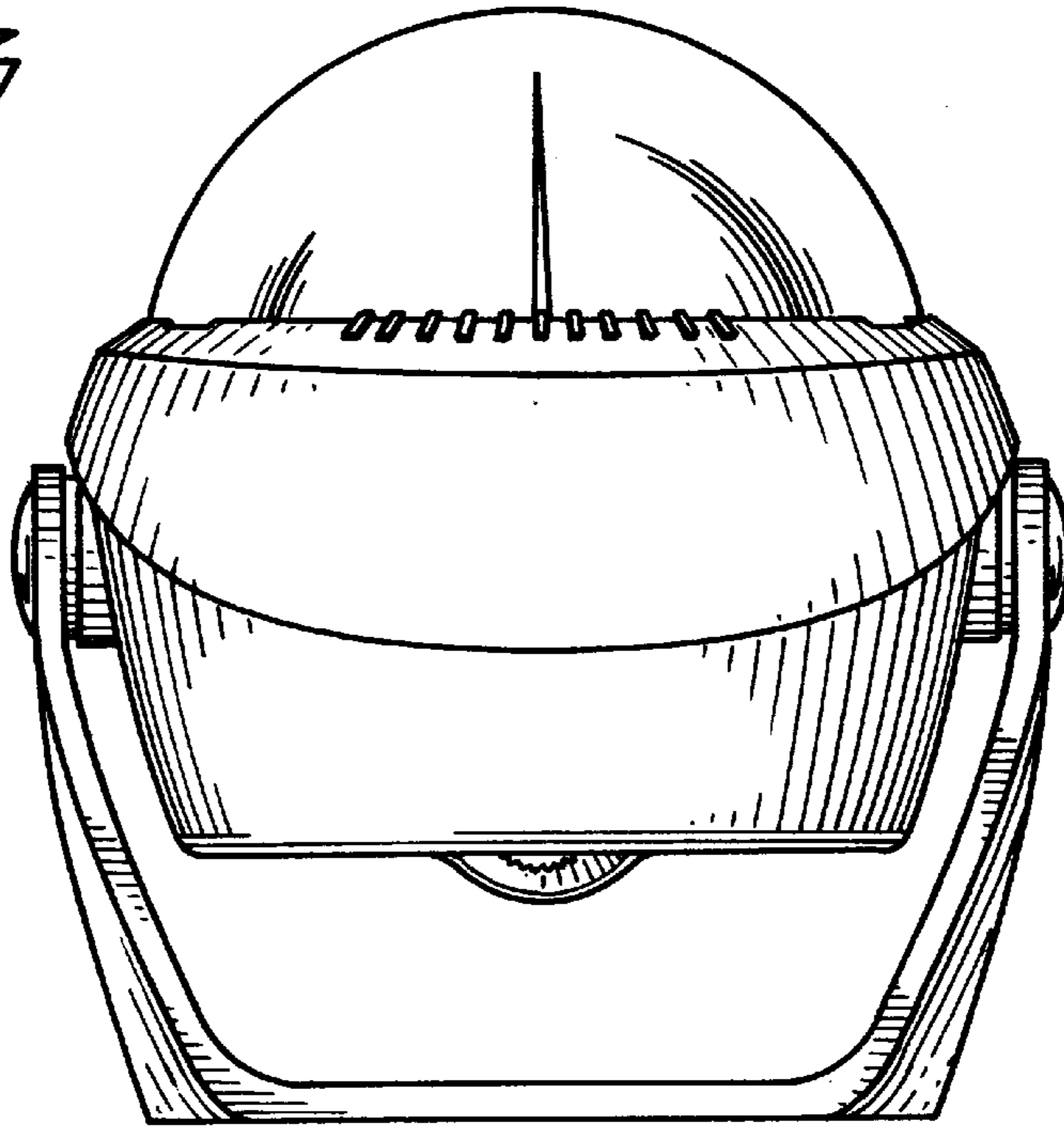


Fig 4

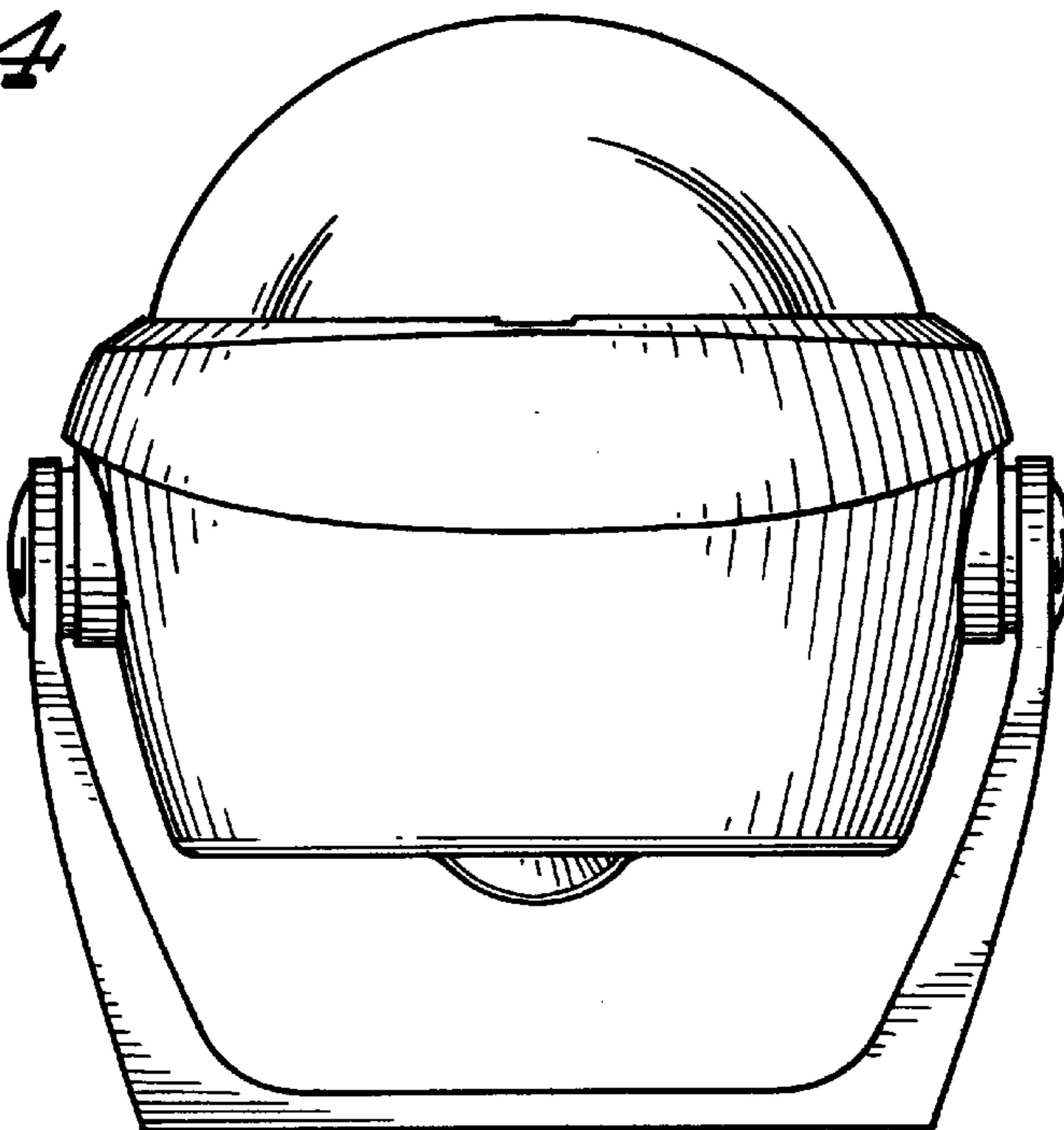


Fig 5

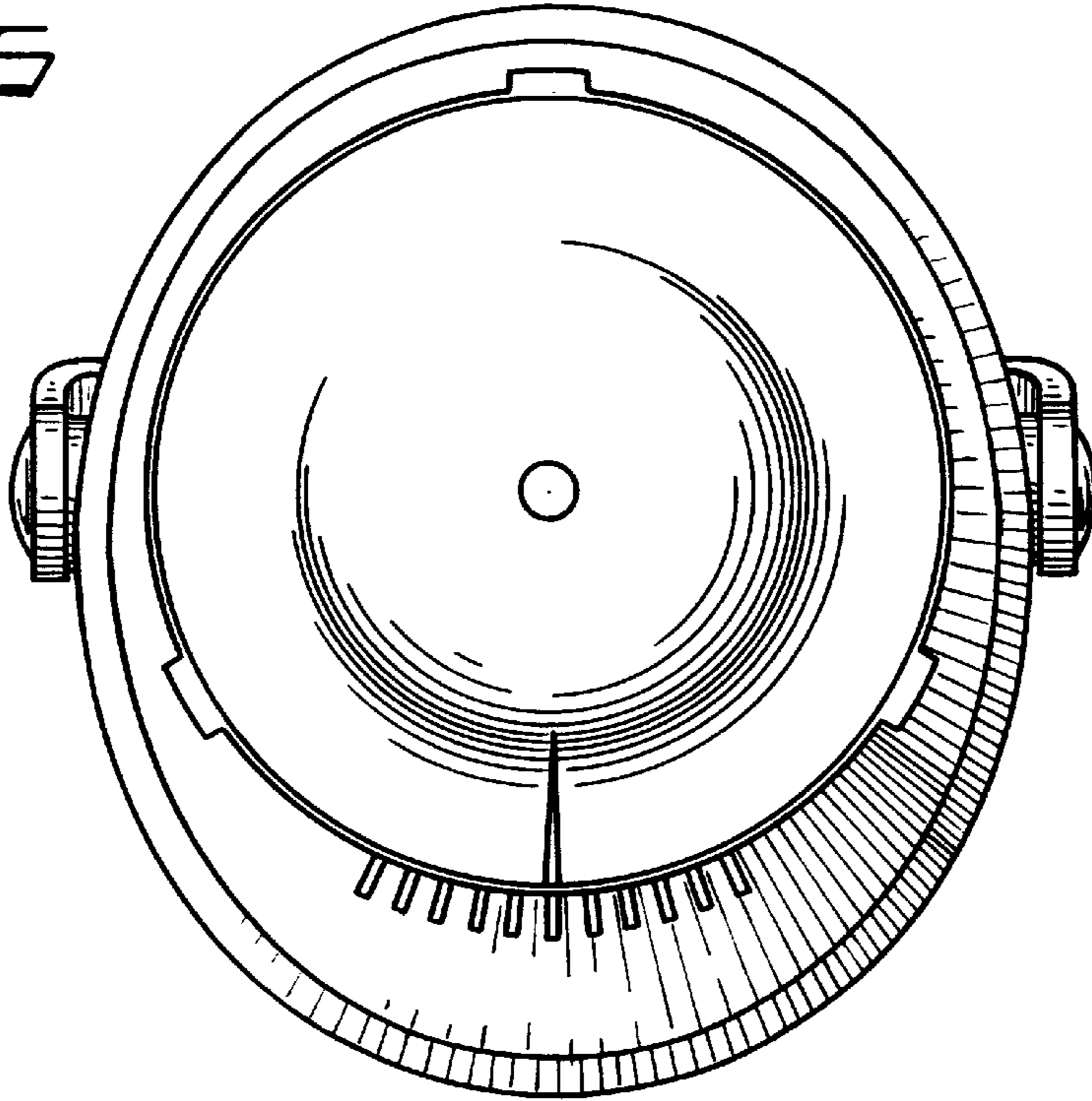


Fig 6

