



US00D427525S

# United States Patent [19]

[11] Patent Number: **Des. 427,525**

Hayes et al.

[45] Date of Patent: **\*\* Jul. 4, 2000**

[54] **FOOD CONTAINER**

5,915,581 6/1999 Pfirrmann, Jr. et al. .... 220/555

[75] Inventors: **Thomas J. Hayes; Mark A. Erickson**, both of McHenry, Ill.; **Raj K. Mangla**, Pittsford, N.Y.; **Mark Spencer**, Gurnee, Ill.; **Michael J. A. Sagan**, Marshall, Wis.

### FOREIGN PATENT DOCUMENTS

1 071 126 2/1980 Canada .  
1 076 044 4/1980 Canada .  
1 249 231 1/1989 Canada .  
39 43 301 C2 12/1989 Germany .

[73] Assignee: **Tenneco Packaging, Inc.**, Lake Forest, Ill.

### OTHER PUBLICATIONS

BonFaire Disposable Food Service Products Brochure. ©BonFaire by Placon Corporation, 1990.  
Gourmet Display Product Catalog, and in particular, pp. 10, 22–23 (Date unknown).  
*Plastics Engineering*, Oct. 1989, p. 10, illustrating BonFaire Microwaveable Packaging by Placon Corporation.  
FIGs. 2A–2B Drawing (showing a top and a bottom perspective view of a container), IVEX Corp. (Date unknown).  
FIGs. 3A–3B Drawing (showing a top and a bottom perspective view of a container), IVEX Corp. (Date unknown).  
Hexquisite™ line of containers, FIGs 1–14; Tenneco Packaging Inc., Lake Forest, IL, pp. 14 (Date unknown).

[\*\*] Term: **14 Years**

*Primary Examiner*—Ted Shooman  
*Assistant Examiner*—Carol Rademaker  
*Attorney, Agent, or Firm*—Jenkins & Gilchrist

[21] Appl. No.: **29/090,541**

[22] Filed: **Jul. 10, 1998**

[51] **LOC (7) Cl.** ..... **09-03**

[52] **U.S. Cl.** ..... **D9/431**

[58] **Field of Search** ..... D9/337–338, 341, D9/345, 424–425, 432, 347, 445; D7/553.1, 553.6, 553.7, 553.8, 629; 206/564, 541; 220/555, 575; 446/114, 115

### [56] References Cited

#### U.S. PATENT DOCUMENTS

D. 214,132 5/1969 Niemoller ..... D48/27  
D. 232,294 8/1974 Christian et al. .... 220/575  
D. 255,857 7/1980 Zimmerman ..... D7/1  
D. 256,308 8/1980 Zimmerman ..... D7/1  
D. 256,646 9/1980 Painter et al. .... D7/18  
D. 259,774 7/1981 Cristiello, Jr. .... D11/143  
D. 269,323 6/1983 Cillario ..... D9/424  
D. 298,304 11/1988 Meyer ..... D11/152  
D. 340,882 11/1993 Holtkamp, Jr. .... D11/164  
D. 375,259 11/1996 Whitehead ..... D9/347  
D. 380,648 7/1997 Rider, Jr. et al. .... D7/555  
D. 392,882 3/1998 Pfirrmann, Jr. et al. .... D9/341  
D. 395,599 6/1998 Wyslowsky ..... D9/445  
D. 395,985 7/1998 Krupa et al. .... D7/629  
3,107,027 10/1963 Hong ..... 220/575  
4,687,117 8/1987 Terauds ..... 426/114  
5,762,231 6/1998 Rider, Jr. et al. .... 206/541

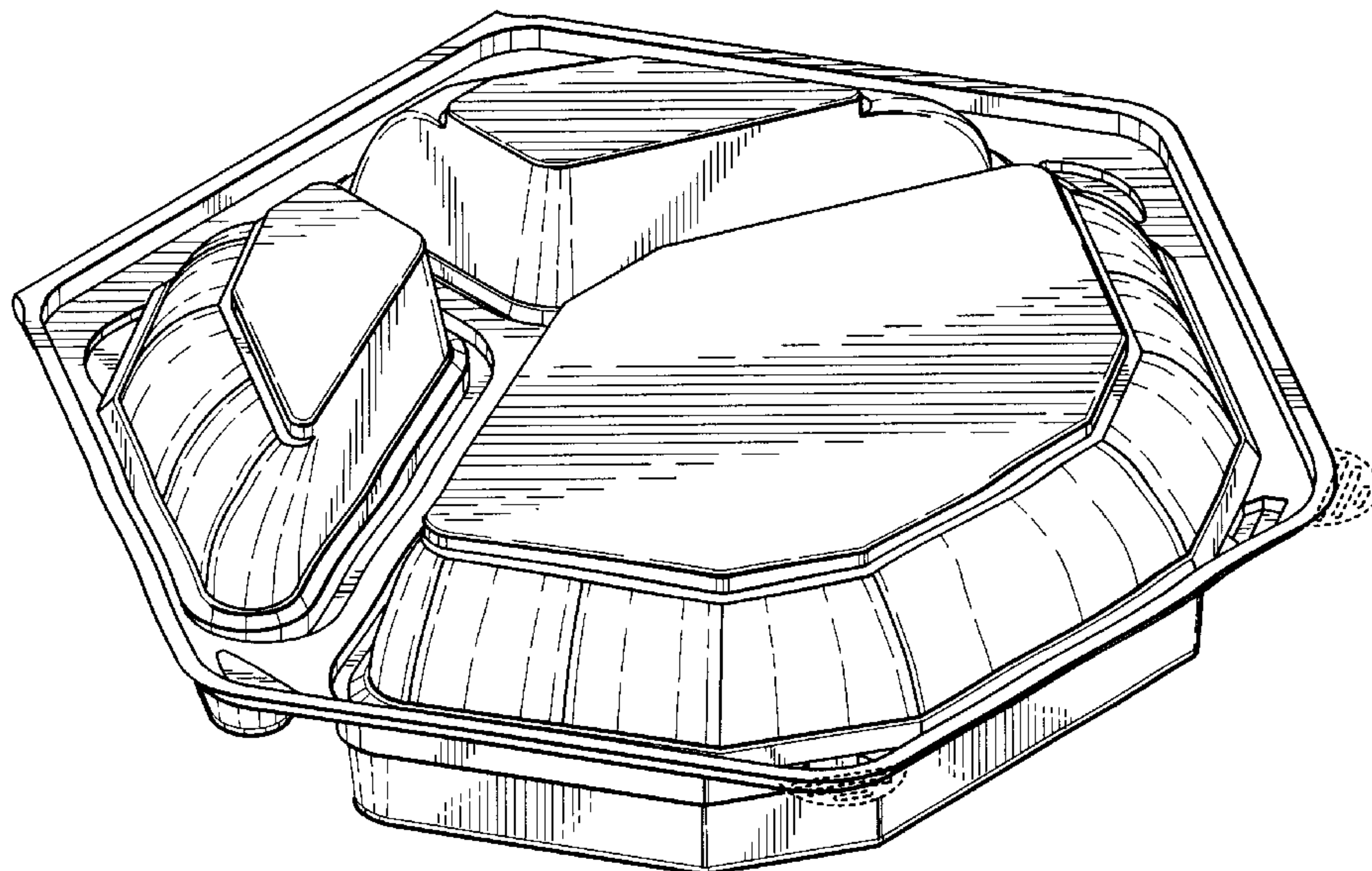
### [57] CLAIM

The ornamental design for a food container, as shown and described.

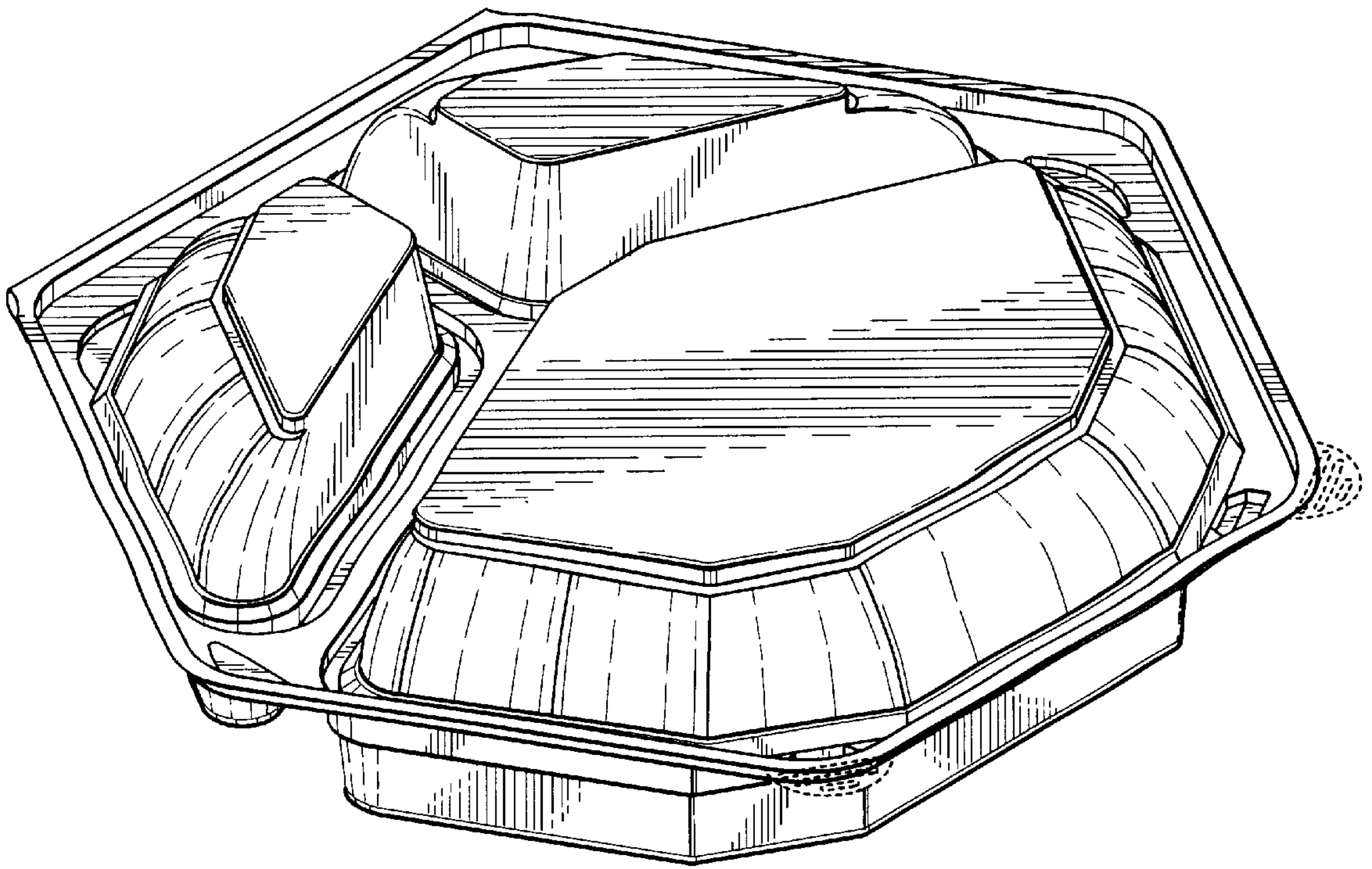
### DESCRIPTION

FIG. 1 is a top perspective view of a food container showing our new design;  
FIG. 2 is a top view;  
FIG. 3 is a front view;  
FIG. 4 is a left side view; the right side view being a mirror image thereof; and,  
FIG. 5 is a rear view.  
The bottom of the food container forms no part of the claimed design.

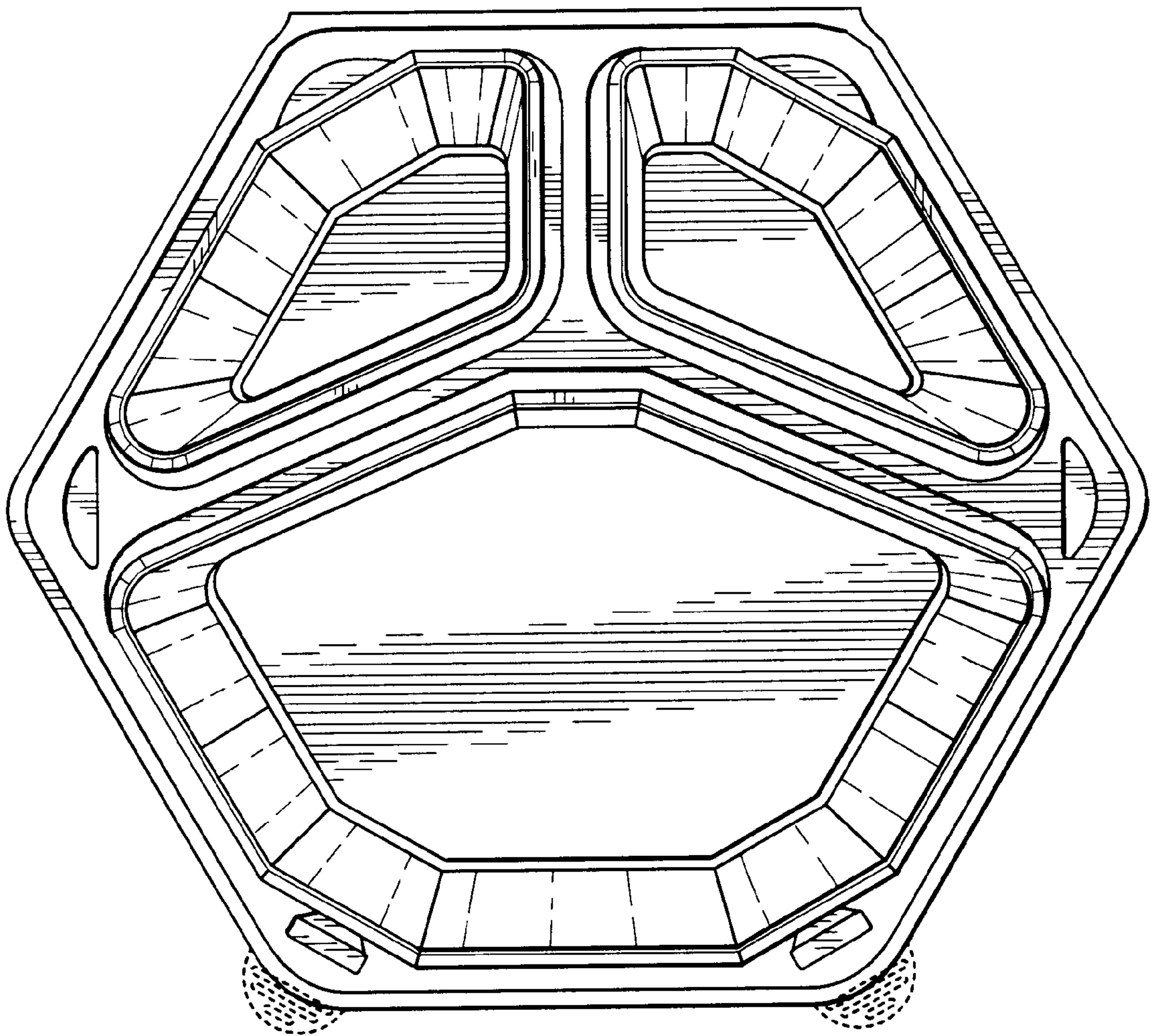
**1 Claim, 5 Drawing Sheets**



*Fig. 1*

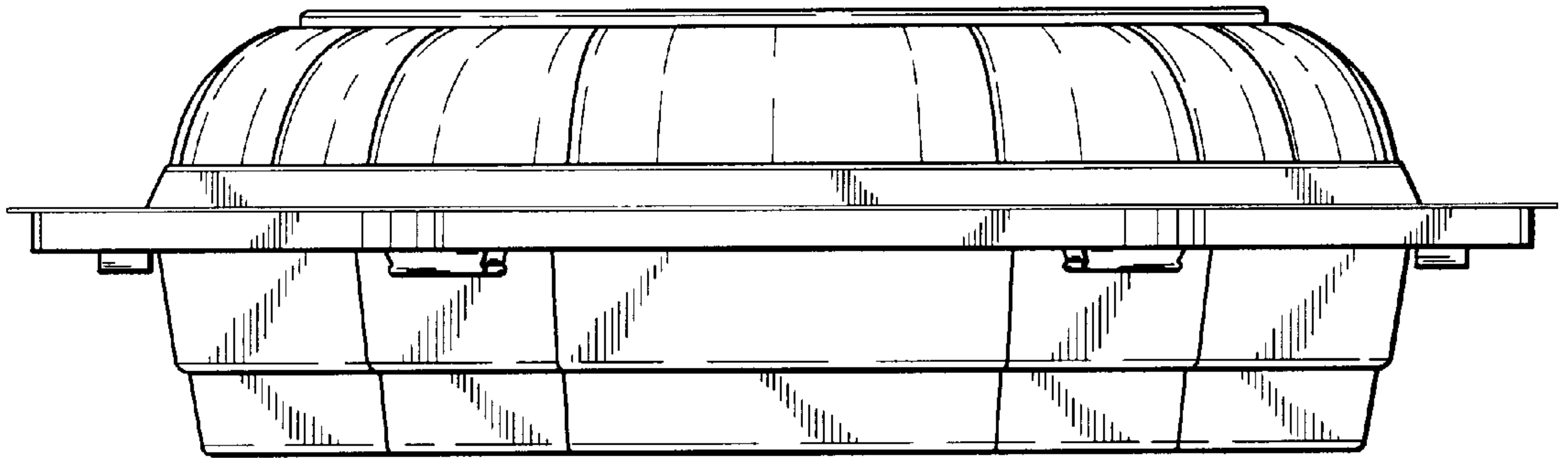


*Fig. 2*

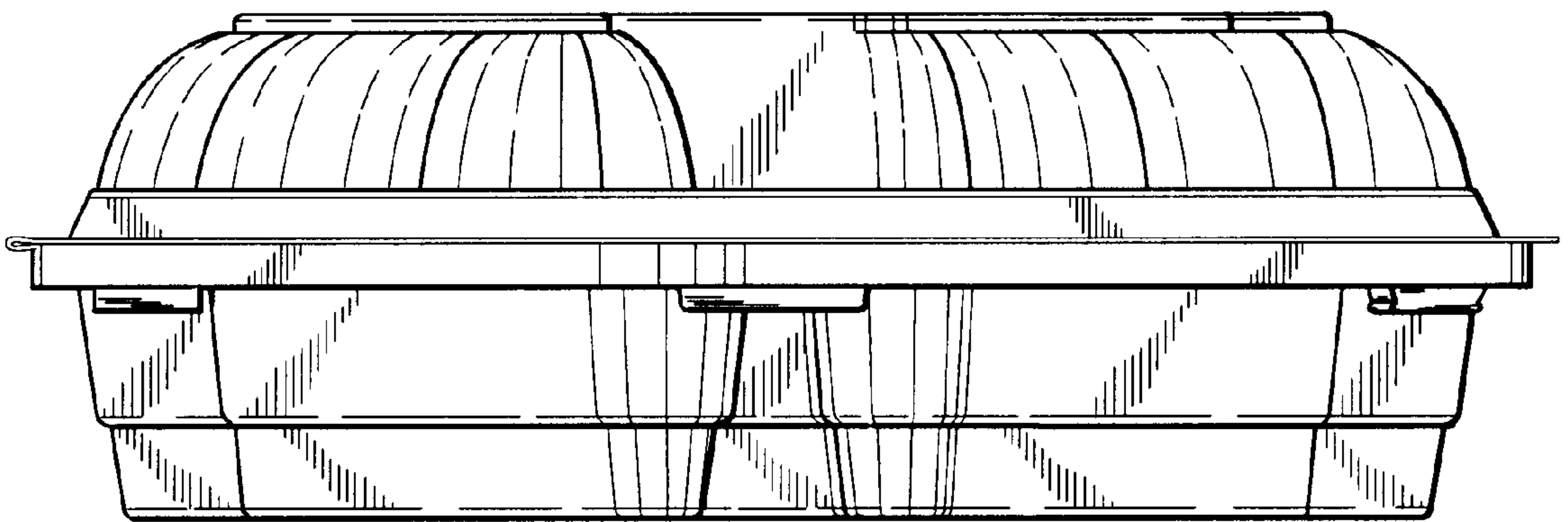




*Fig. 3*



*Fig. 4*



*Fig. 5*

