



US00D427520S

United States Patent [19] Crawford

[11] **Patent Number: Des. 427,520**
[45] **Date of Patent: ** Jul. 4, 2000**

[54] **DISPENSER**

5,547,302 8/1996 Dornbusch et al. 401/68
5,947,621 9/1999 Szekely 401/75

[75] Inventor: **John C. Crawford**, Mahopac, N.Y.

[73] Assignee: **Colgate-Palmolive Company**, New York, N.Y.

Primary Examiner—Ted Shooman
Assistant Examiner—Carol Rademaker
Attorney, Agent, or Firm—Michael McGreal

[**] Term: **14 Years**

[57] CLAIM

[21] Appl. No.: **29/094,500**

The ornamental design for a dispenser, as shown and described.

[22] Filed: **Oct. 5, 1998**

DESCRIPTION

[51] **LOC (7) Cl.** **09-01**

[52] **U.S. Cl.** **D9/338**

[58] **Field of Search** D9/337-338, 434-435,
D9/445, 454; 401/49, 55, 57, 68, 69, 75,
82, 88, 98

FIG. 1 is a perspective view of my design for a dispenser. FIG. 2 is a right side elevation view thereof the left side being a mirror image.

FIG. 3 is a front elevation view thereof.

FIG. 4 is a rear elevation view thereof.

FIG. 5 is a top plan view thereof.

FIG. 6 is a bottom plan view thereof.

FIG. 7 is a top plan view thereof of the top surface of the dispenser with the cap removed.

FIG. 8 is a top plan view of a second embodiment of the top surface of the dispenser with the cap removed, it being understood that the remainder of the dispenser is the same as the first dispenser in FIGS. 1-6; and,

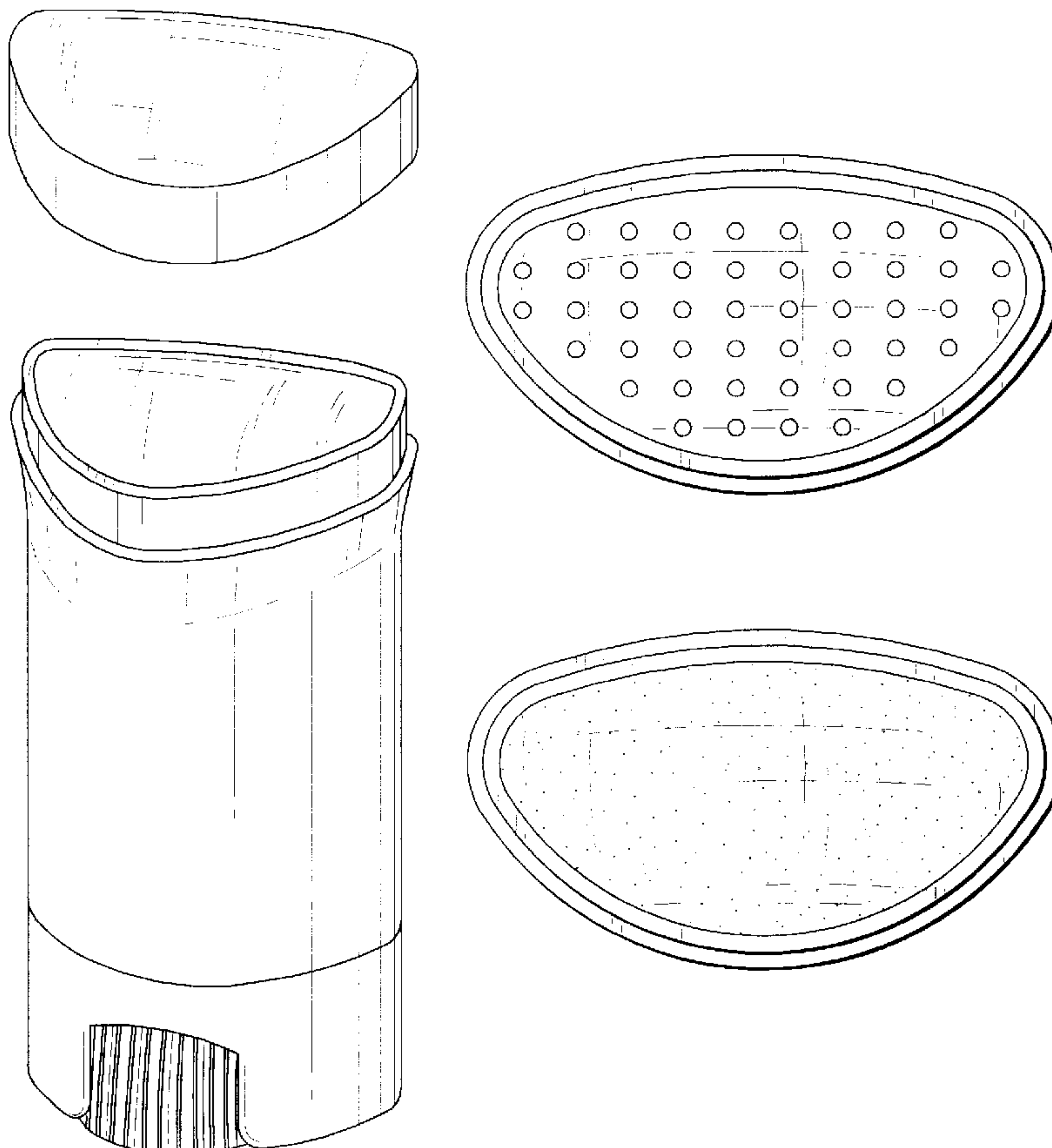
FIG. 9 is a top plan view of a third embodiment of the top surface of the dispenser with the cap removed, it being understood that the remainder of the dispenser is the same as the first dispenser in FIGS. 1-6.

[56] References Cited

U.S. PATENT DOCUMENTS

D. 274,499	7/1984	Soos	D9/454
D. 317,987	7/1991	Demarest	D9/338
D. 331,543	12/1992	Thompson et al.	D9/338
D. 379,927	6/1997	Crawford	D9/338
D. 408,736	4/1999	Wilson et al.	D9/339
D. 412,840	8/1999	Wilson et al.	D9/338
D. 414,105	9/1999	Wilson et al.	D9/338
D. 414,690	10/1999	Hutchinson et al.	D9/338
D. 415,021	10/1999	Hutchinson et al.	D9/338
D. 417,153	11/1999	Hutchinson et al.	D9/338
4,552,161	11/1985	Hill et al.	401/75

1 Claim, 4 Drawing Sheets



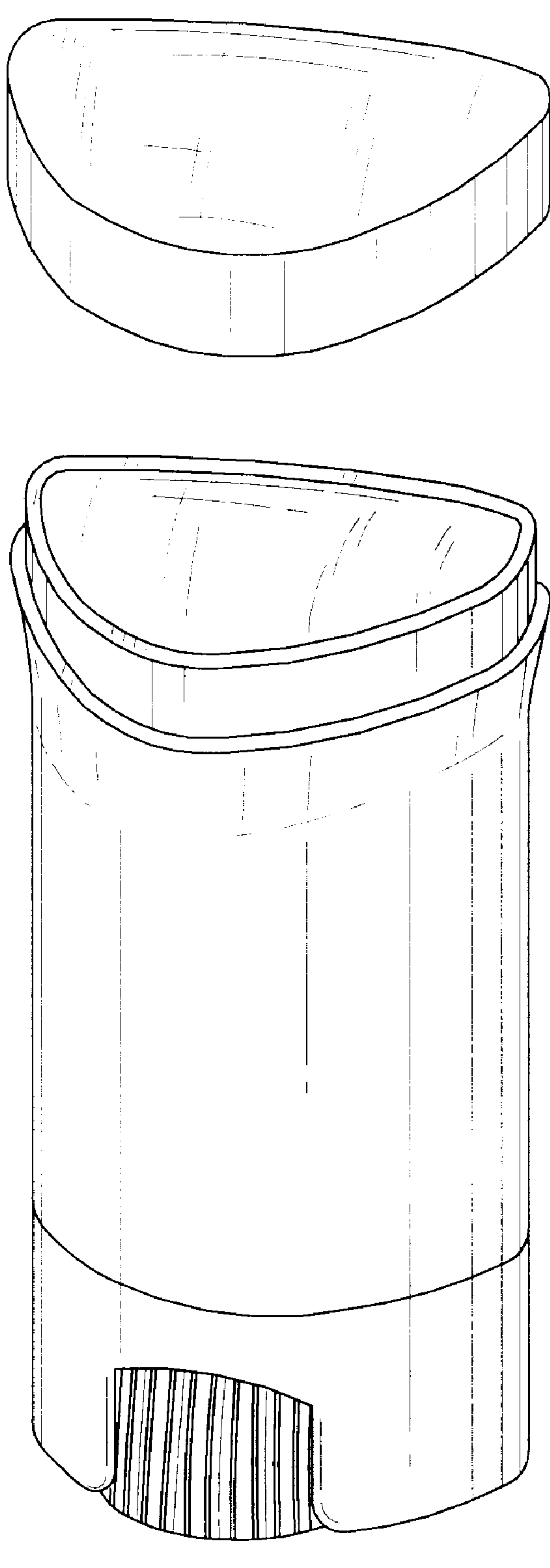


FIG. 1

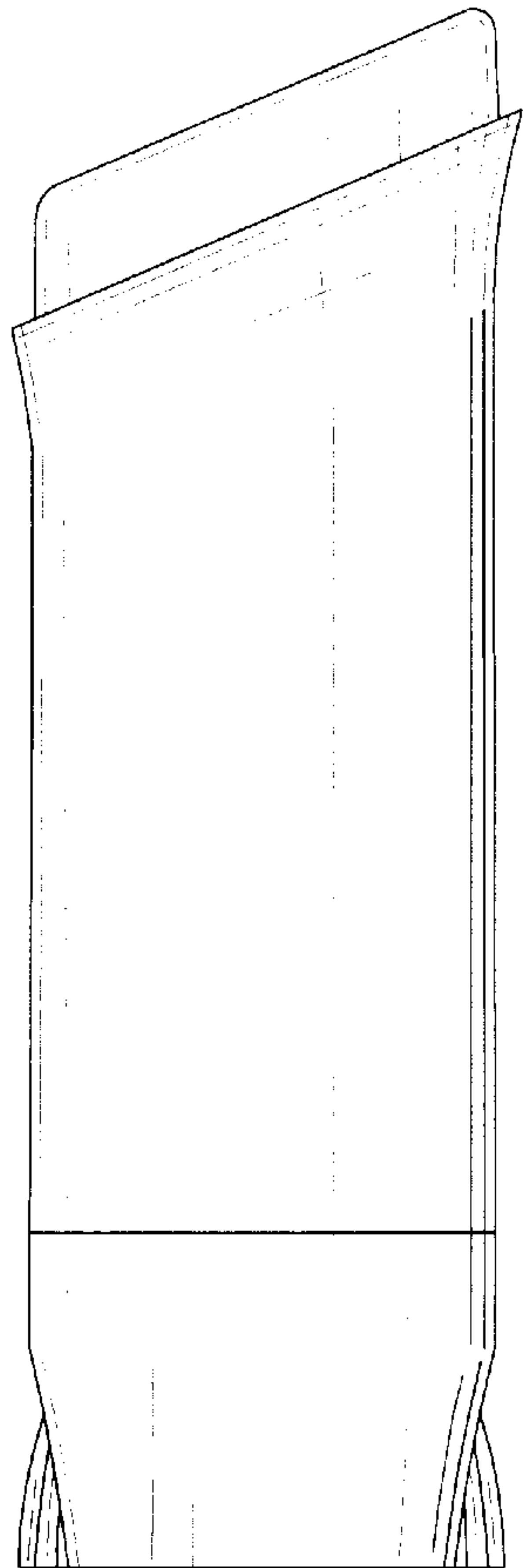
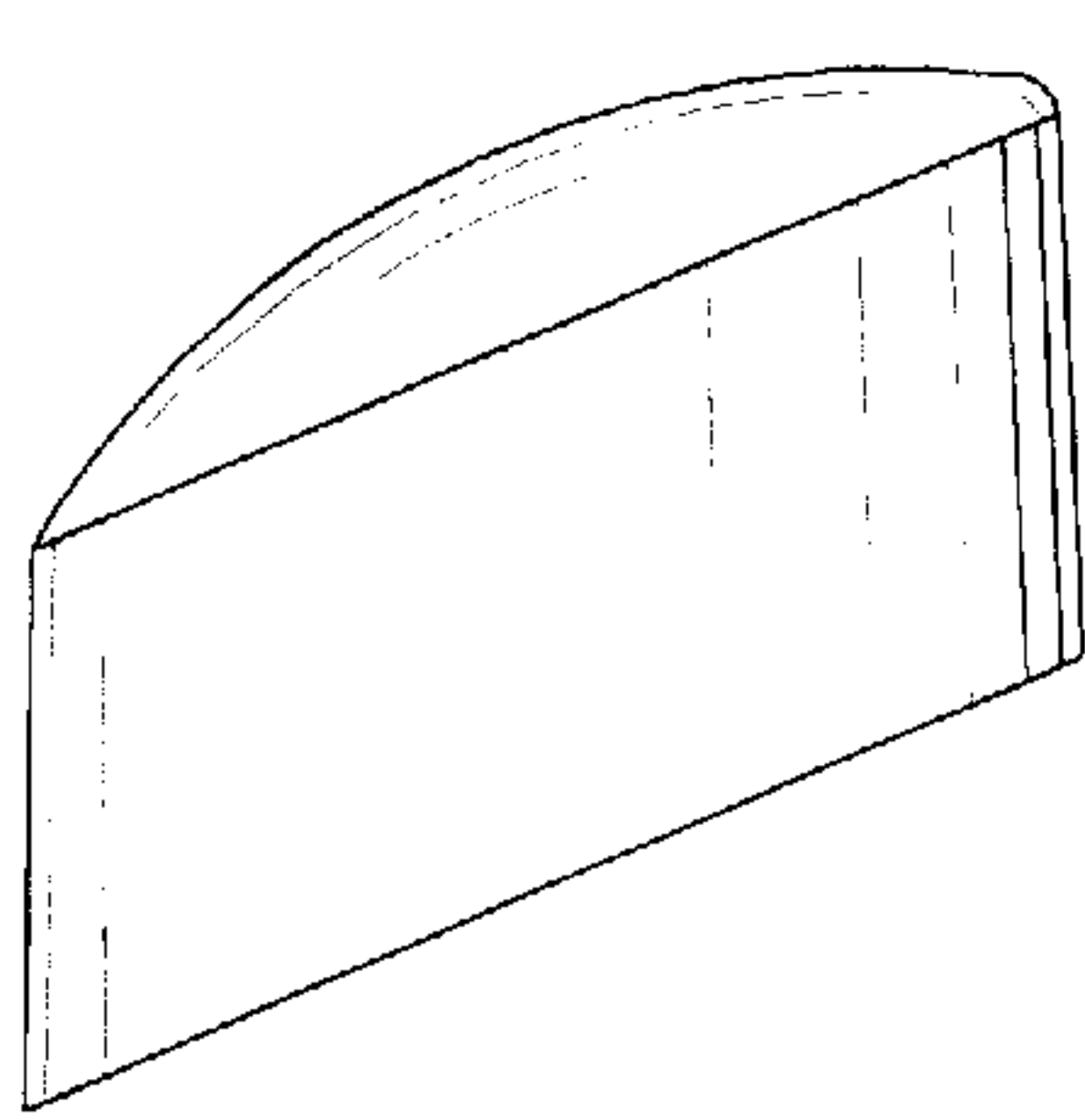


FIG. 2

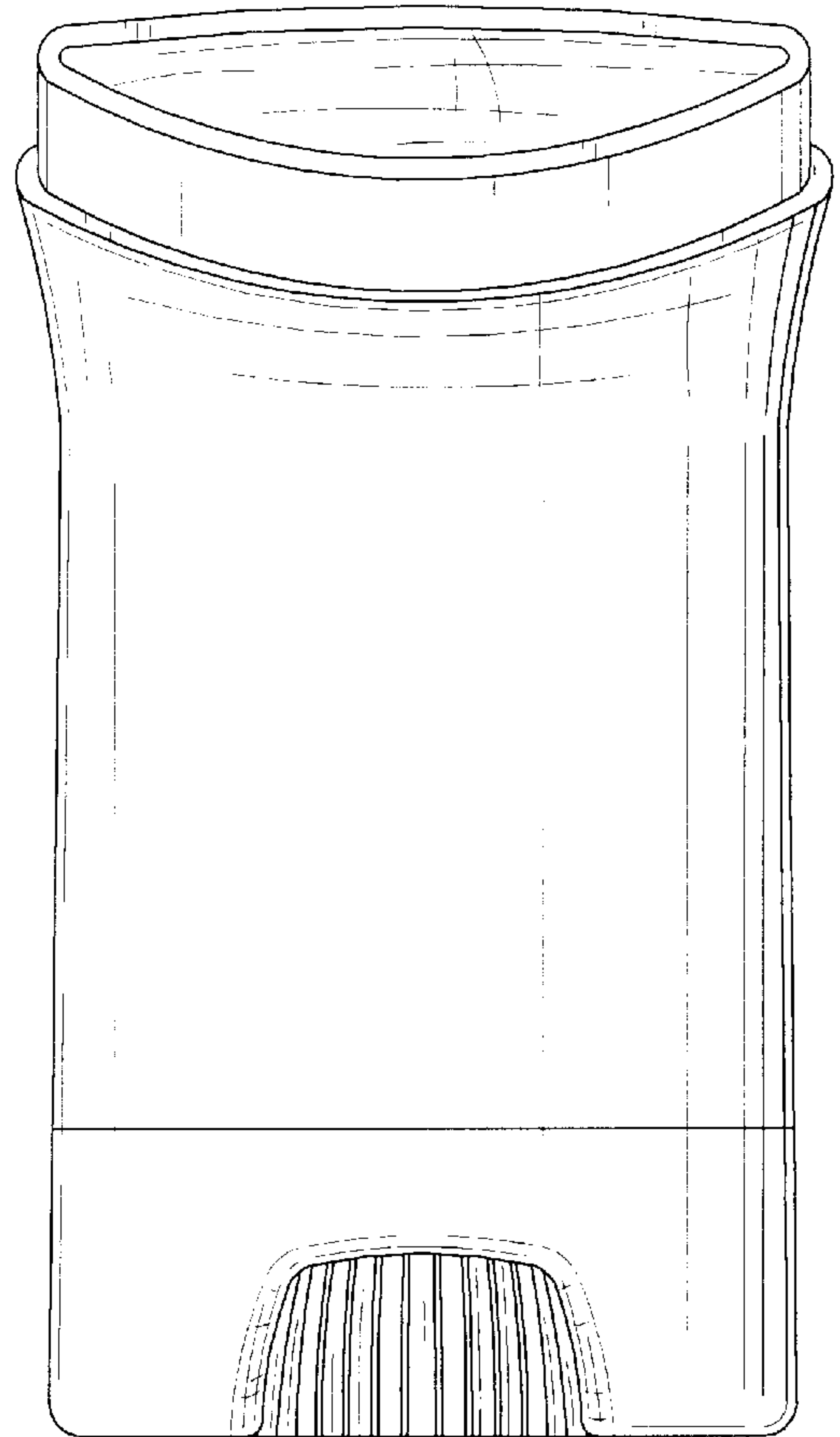
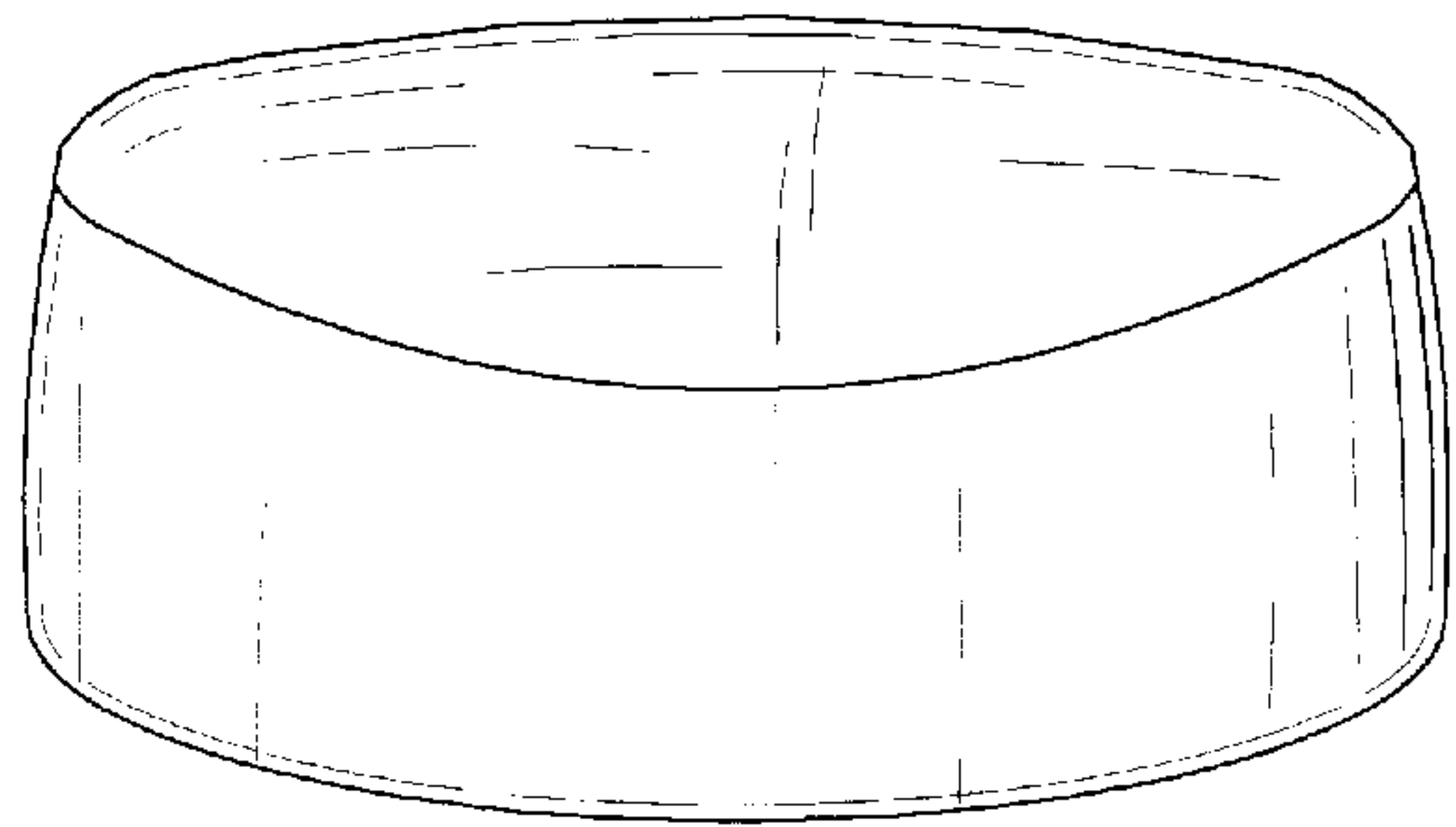


FIG. 3

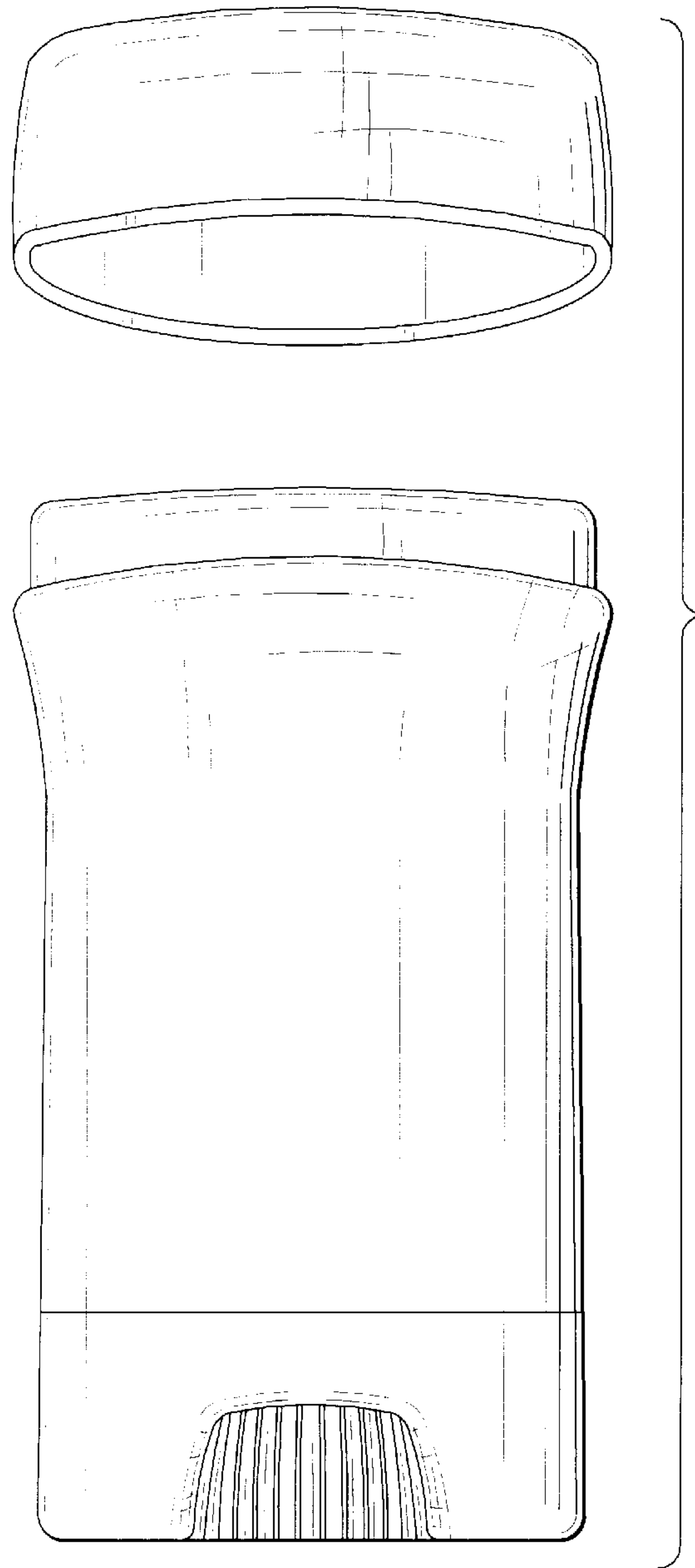


FIG. 4

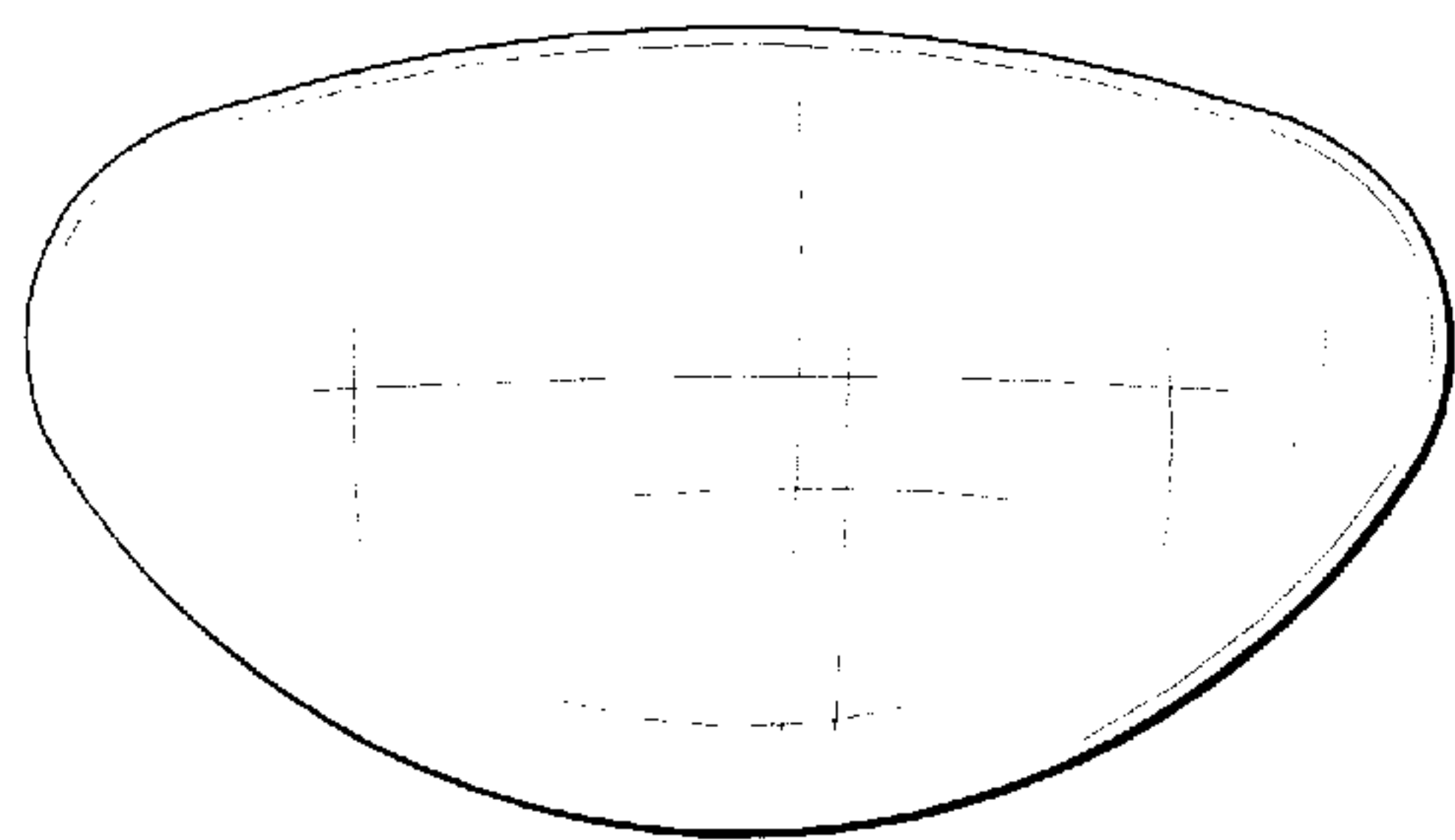


FIG. 5

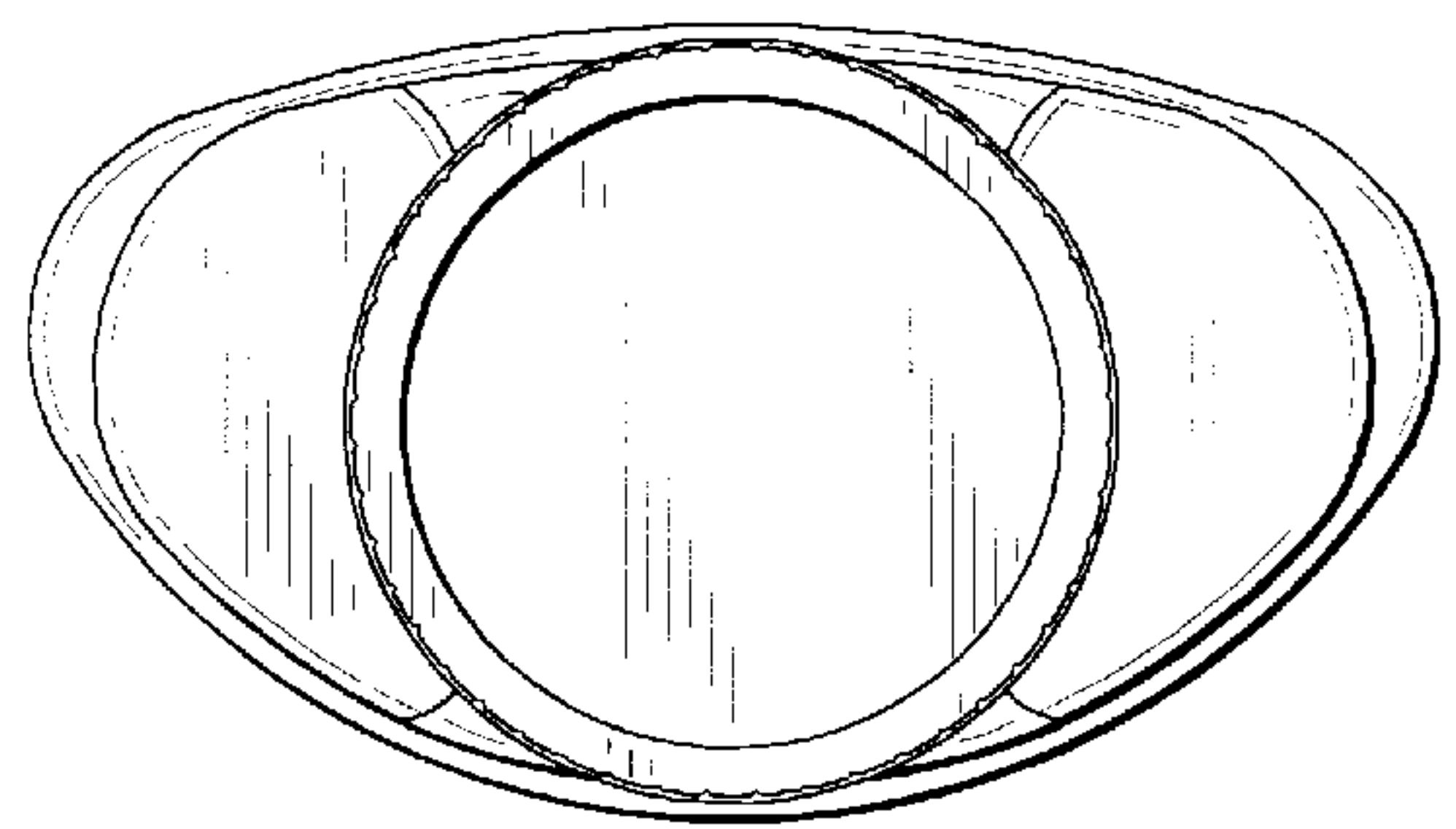


FIG. 6

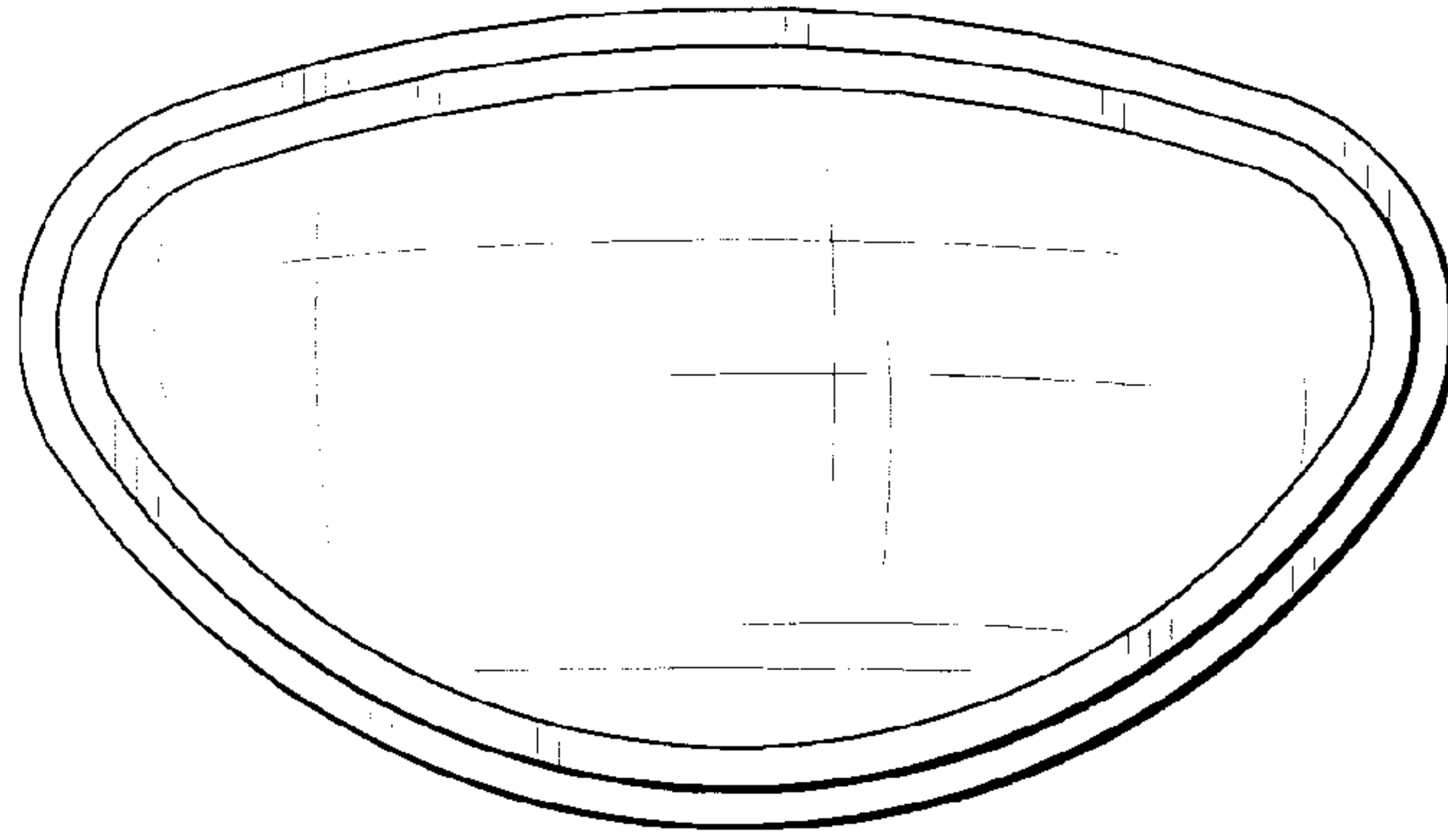


FIG. 7

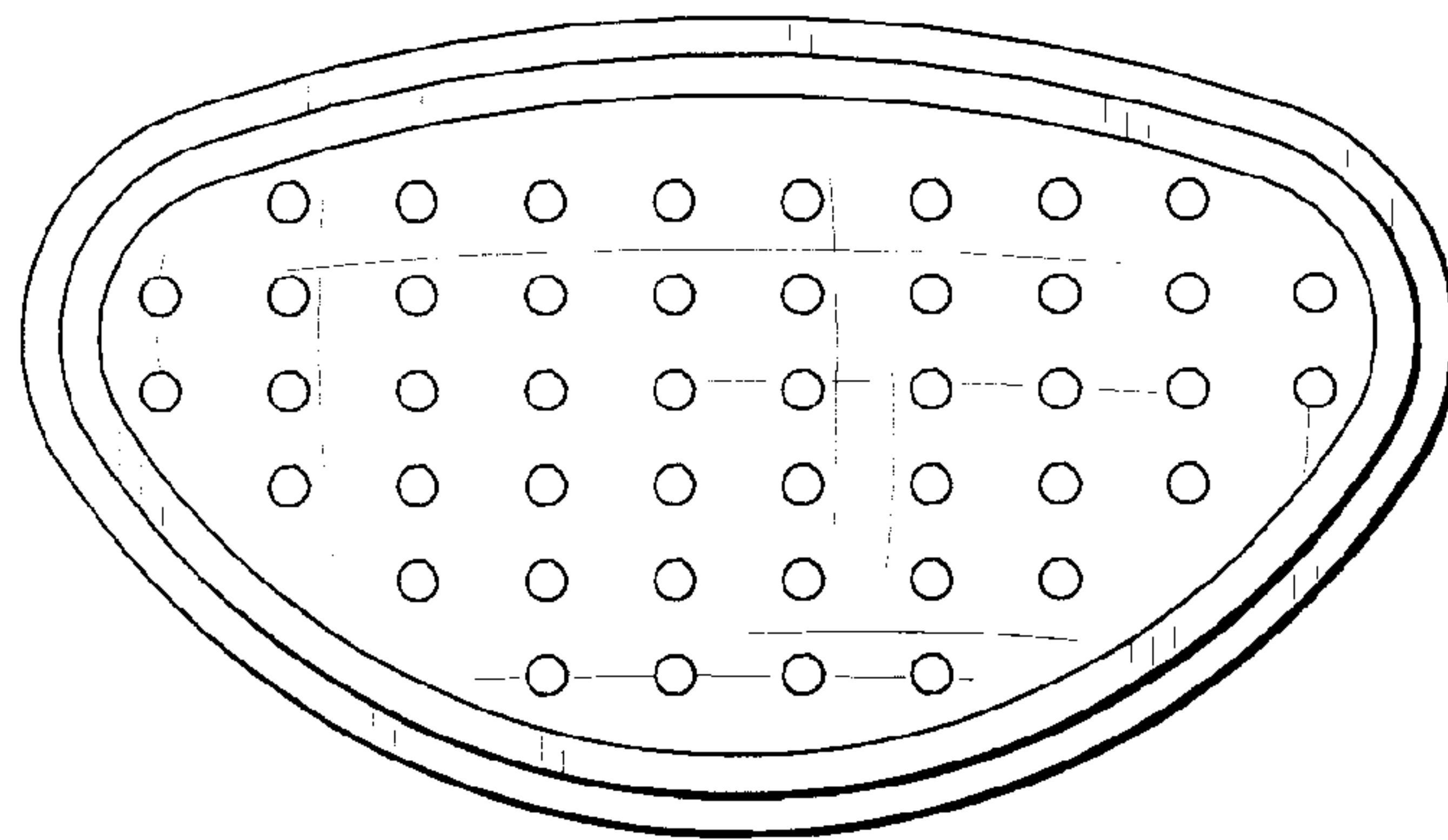


FIG. 8

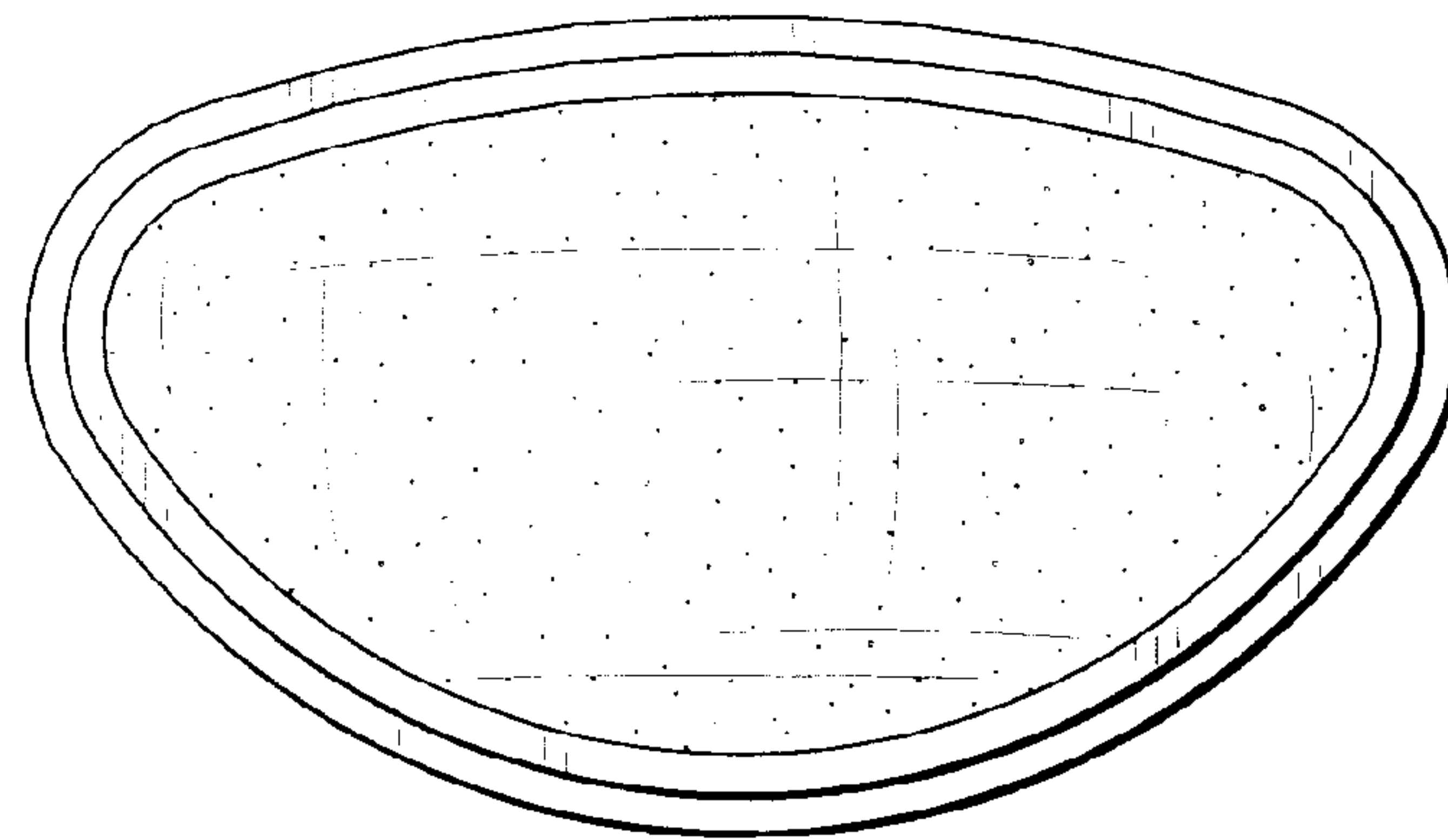


FIG. 9