



US00D427516S

United States Patent [19]

[11] **Patent Number: Des. 427,516**

Legros

[45] **Date of Patent: ** Jul. 4, 2000**

[54] **PERFUME BOTTLE**

D. 154,263	6/1949	Goldberg	D9/320
D. 188,957	10/1960	Nassour	D9/320
D. 191,418	9/1961	Nassour	D9/320
D. 318,796	8/1991	Cointreau	D9/320

[76] Inventor: **Fabrice Legros**, Pi Design, 99 Quai du Docteur Dervaux, 92600 Asnieres, France

Primary Examiner—Terry A. Wallace
Attorney, Agent, or Firm—Craig J. Lervick; Oppenheimer Wolff & Donnelly LLP

[**] Term: **14 Years**

[21] Appl. No.: **29/102,923**

[57] **CLAIM**

[22] Filed: **Apr. 2, 1999**

The ornamental design for a perfume bottle, substantially as shown and described.

[51] **LOC (7) Cl.** **09-01**

[52] **U.S. Cl.** **D9/320; D9/546**

[58] **Field of Search** D9/307, 320, 331, D9/544, 545, 546; 215/381–384

DESCRIPTION

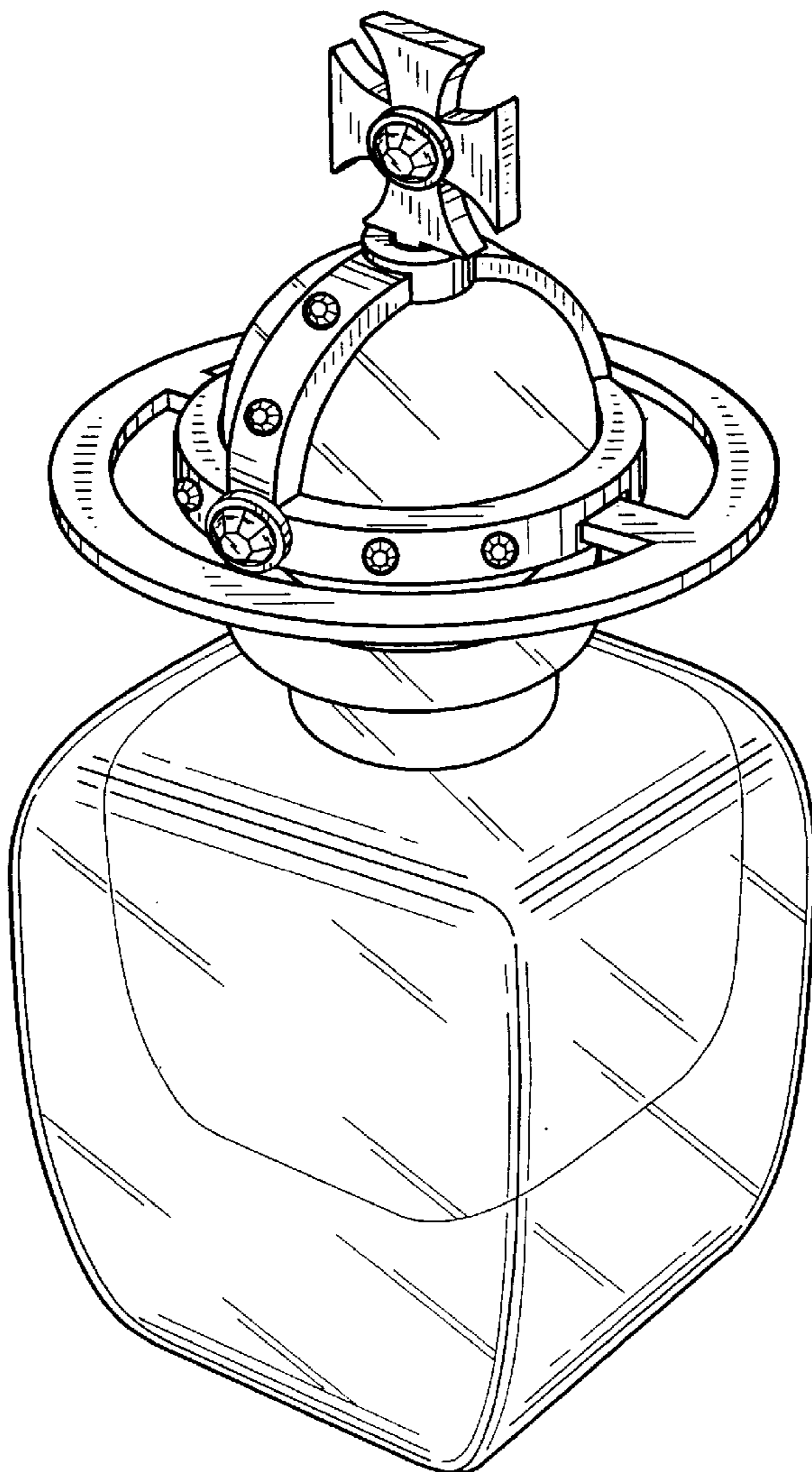
[56] **References Cited**

FIG. 1 is a perspective view of a perfume bottle showing our new design;
FIG. 2 is a front elevational view thereof;
FIG. 3 is a side view thereof;
FIG. 4 is a top plan view thereof; and,
FIG. 5 is a bottom plan view thereof.

U.S. PATENT DOCUMENTS

D. 90,962	10/1933	Soper	D9/307
D. 106,222	9/1937	Terbey	D9/320
D. 124,856	1/1941	Ganz	D9/320

1 Claim, 2 Drawing Sheets



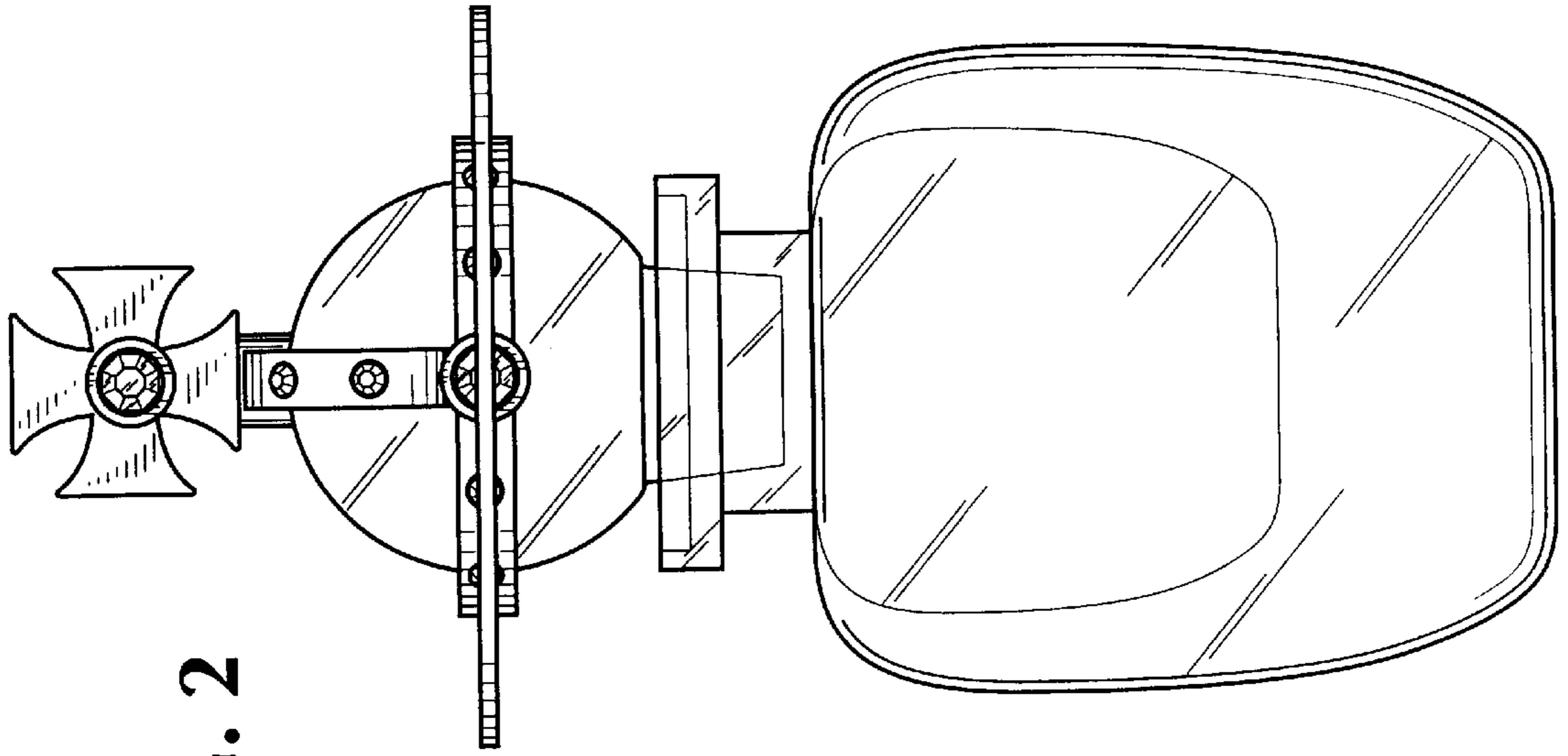


FIG. 2

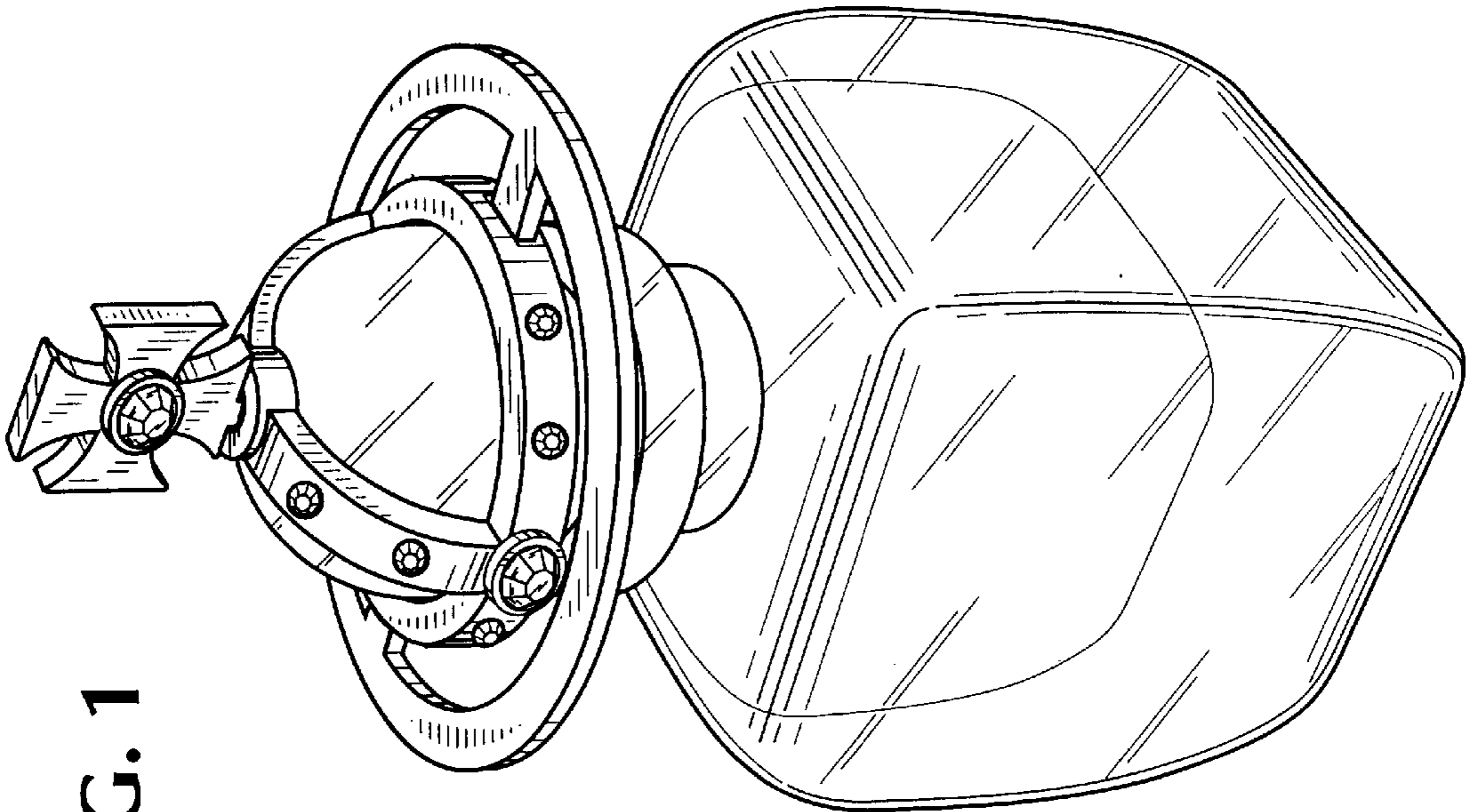


FIG. 1

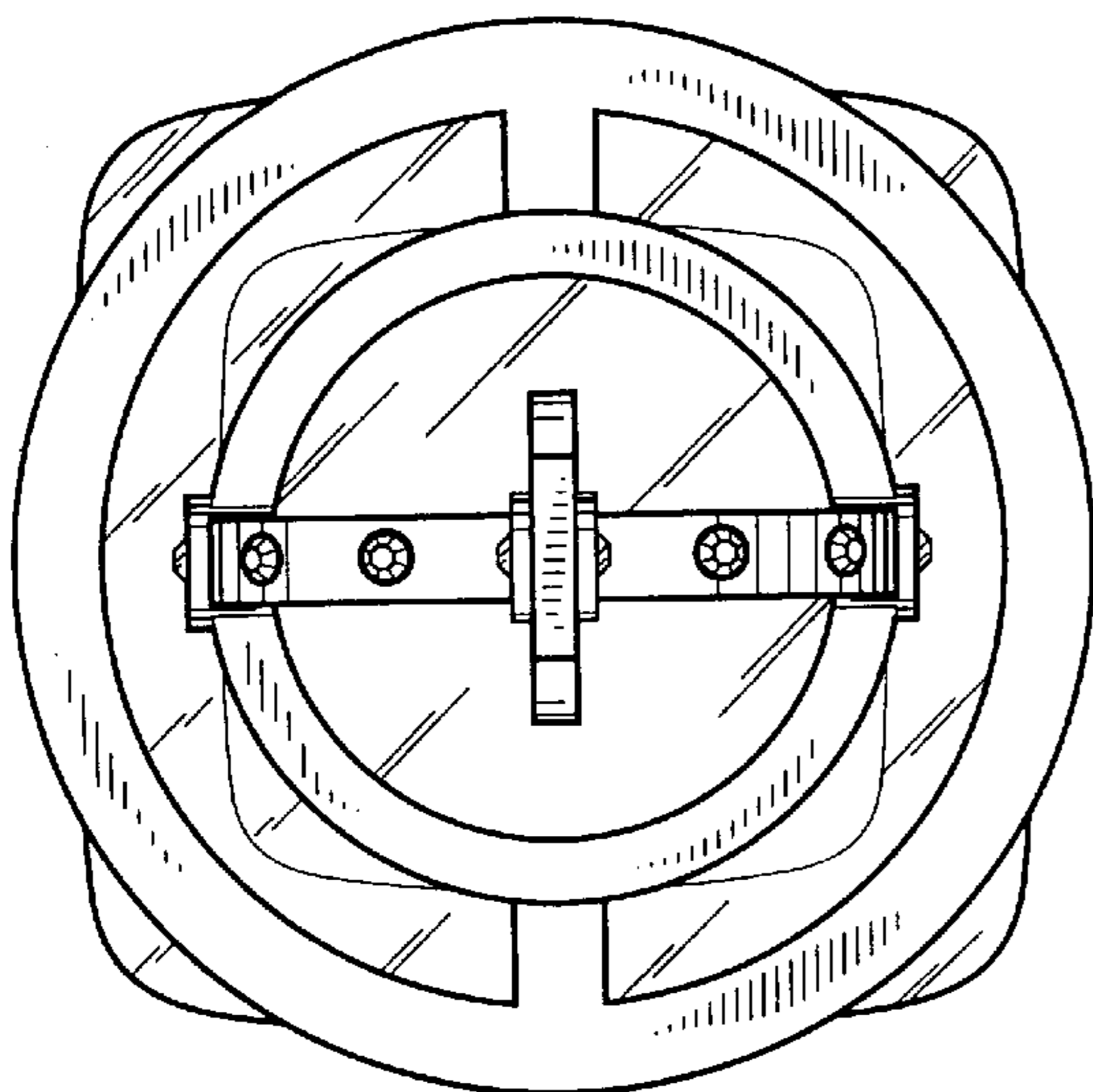


FIG. 4

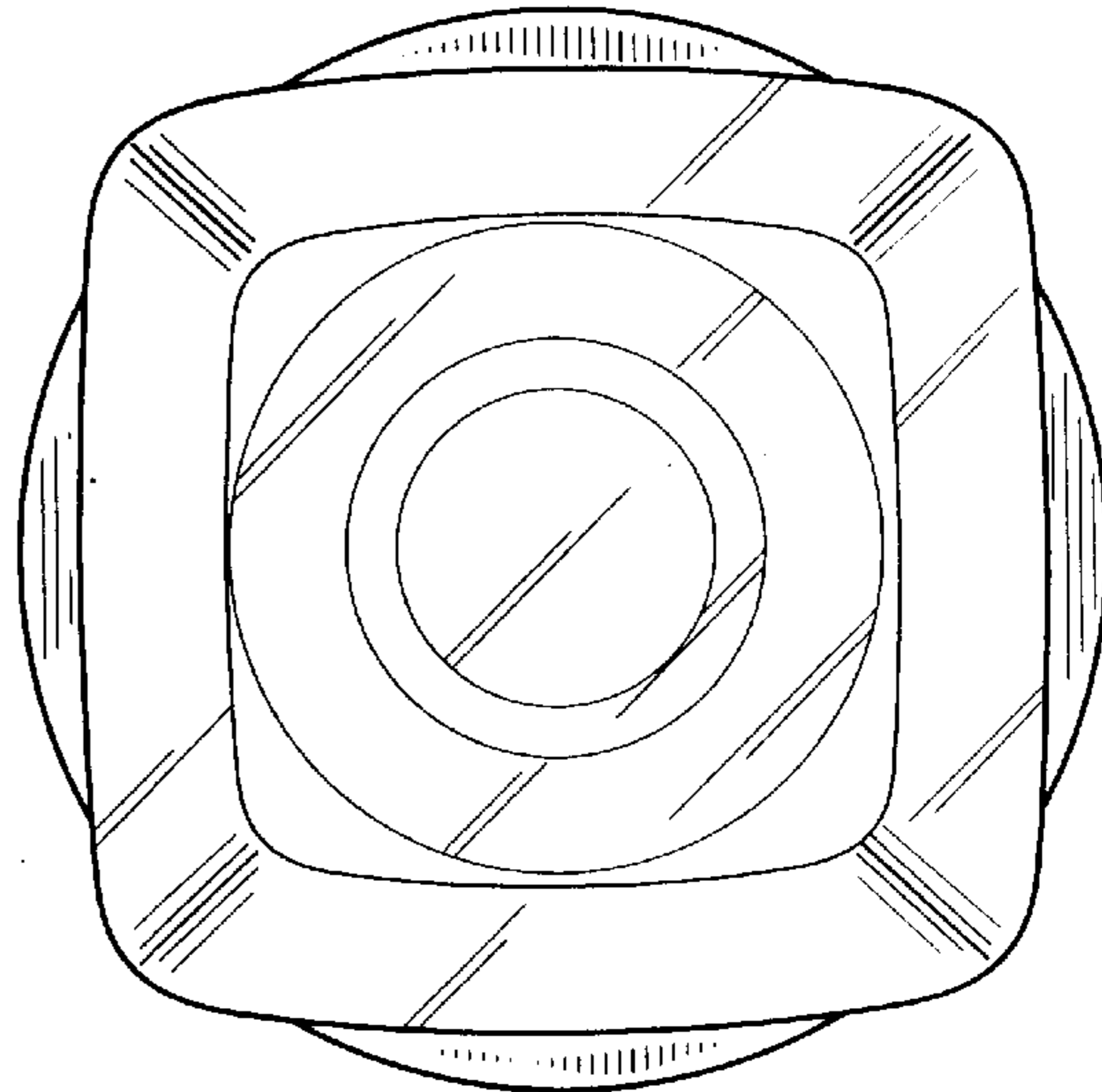


FIG. 5

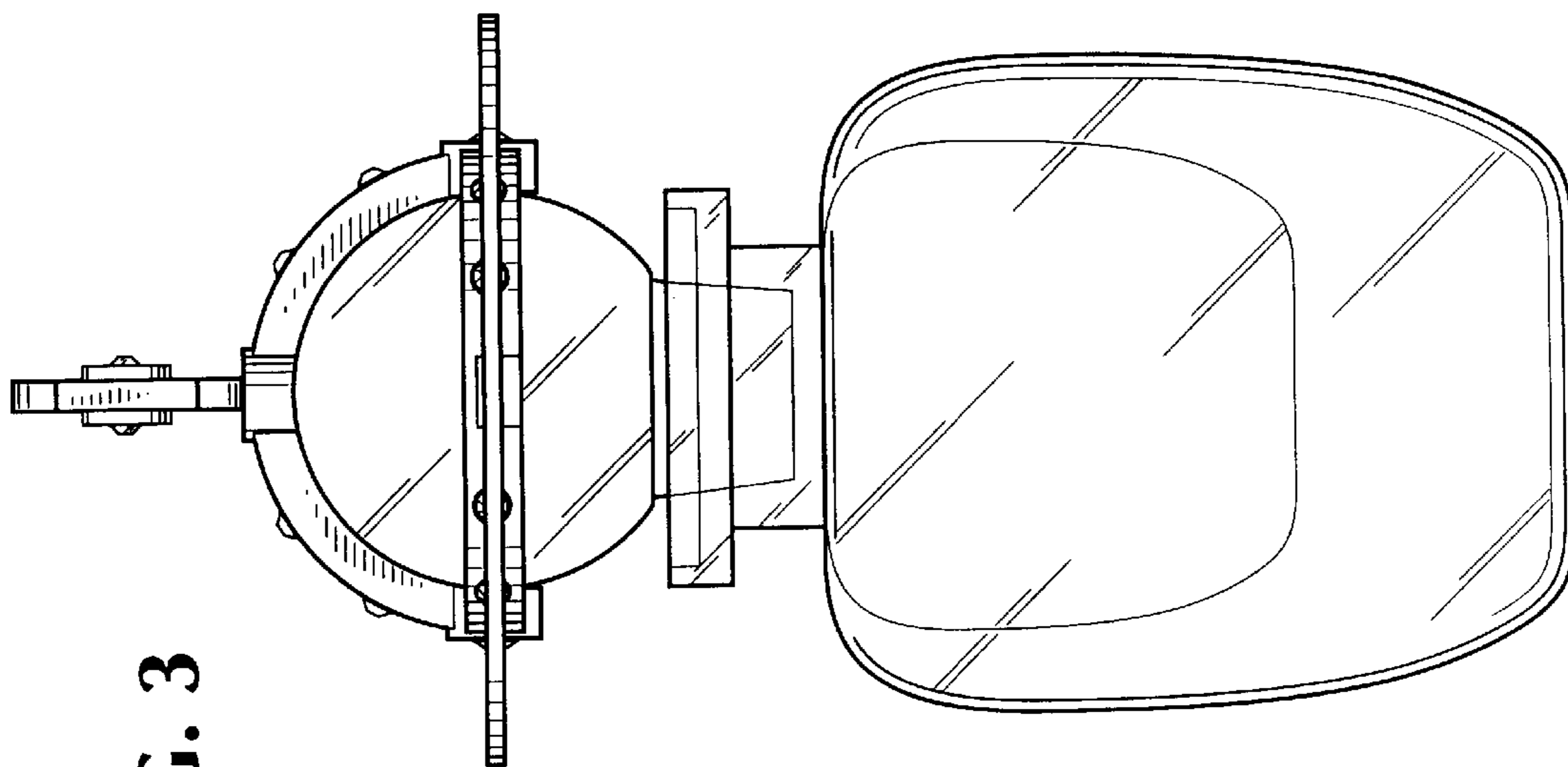


FIG. 3