



US00D427512S

United States Patent [19]

Bensen

[11] Patent Number: **Des. 427,512**

[45] Date of Patent: **** Jul. 4, 2000**

[54] **TRANSPARENT PROTECTIVE DOOR GUARD**

5,605,364 2/1997 Shelledy 292/259 R
5,797,223 8/1998 Shoup et al. 160/377 X

[76] Inventor: **Roy W. Bensen**, 733 Emerald Dr., Roseville, Minn. 55113

Primary Examiner—Susan J. Lucas
Assistant Examiner—Jennifer Rivard
Attorney, Agent, or Firm—Charles A. Johnson

[**] Term: **14 Years**

[57] **CLAIM**

[21] Appl. No.: **29/085,516**

The ornamental design for a transparent protective door guard, as shown and described.

[22] Filed: **Mar. 25, 1998**

DESCRIPTION

[51] **LOC (7) Cl.** **08-09**

[52] **U.S. Cl.** **D8/400**

[58] **Field of Search** D8/400, 402, 499;
160/181, 182, 379, 377, 110, 112, DIG. 8;
D25/48; 40/584; 292/259 R

FIG. 1 is a perspective view of the design invention shown in the environment mounted on a fragmentary phantom dashed-line storm door;

FIG. 2 is a front elevational view thereof;

FIG. 3 is a top plan view thereof, the bottom plan view being a mirror image;

FIG. 4 is a rear elevational view thereof; and,

FIG. 5 is a right side elevational view thereof rotated counter clockwise 90 degrees, the left side there of being a mirror image of this view.

The broken lines are shown for illustrative purposes only and form no part of the claimed design.

[56] **References Cited**

U.S. PATENT DOCUMENTS

D. 361,629	8/1995	Tweedt	D25/48
1,257,183	2/1918	Bujack	160/379 X
1,824,187	9/1931	Adams	160/379
2,150,647	3/1939	Douglass	160/379 X
4,002,195	1/1977	Nagase	160/379
4,914,844	4/1990	Seery	40/584
5,077,940	1/1992	LaRose, Jr.	292/259 R X

1 Claim, 2 Drawing Sheets

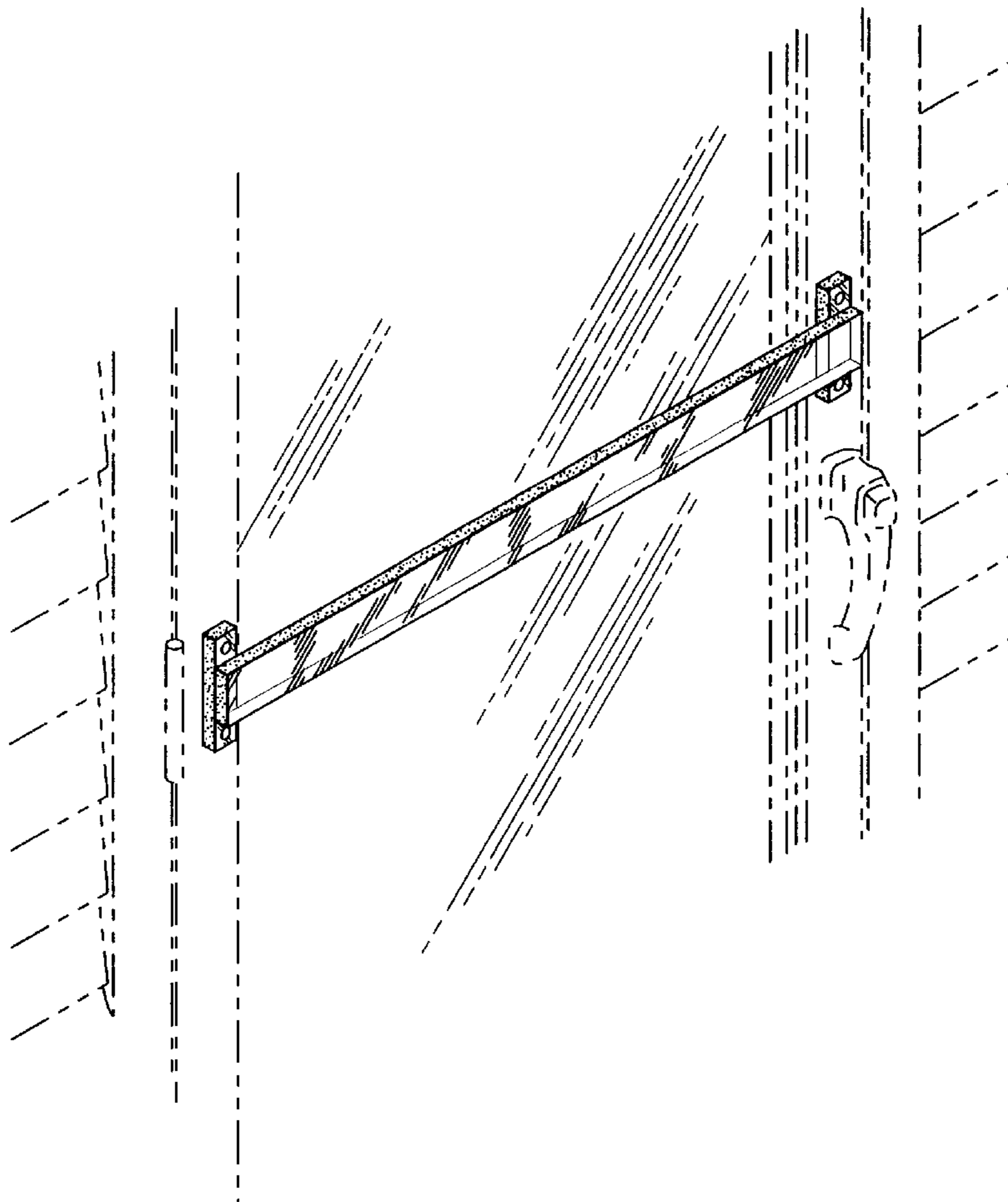


Fig. 1

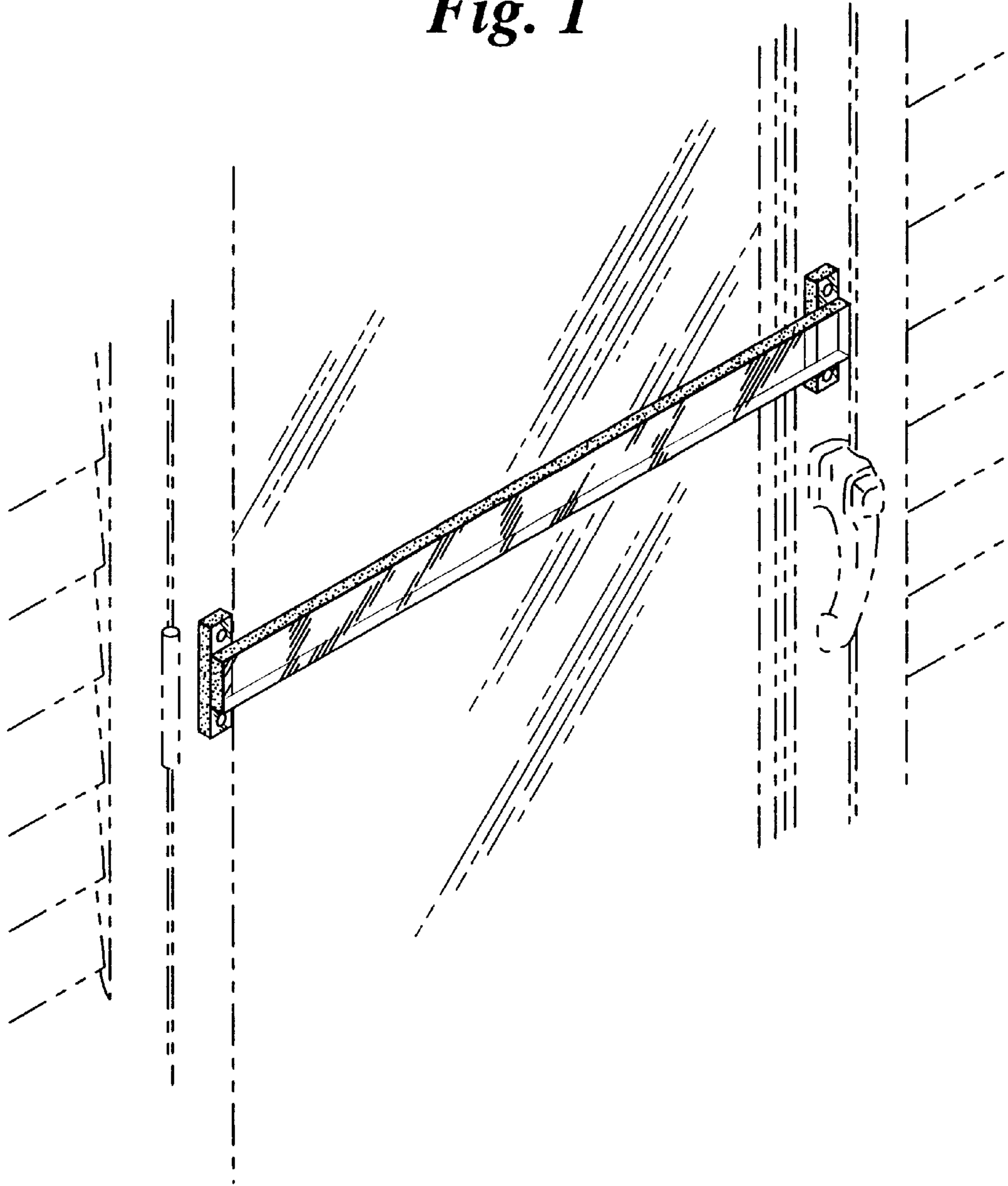


Fig. 2

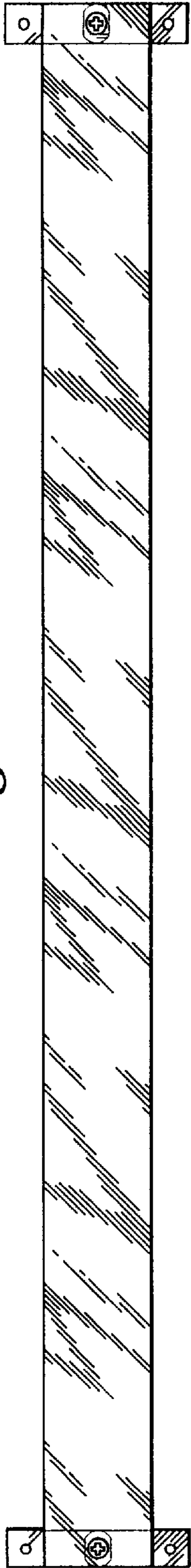


Fig. 3

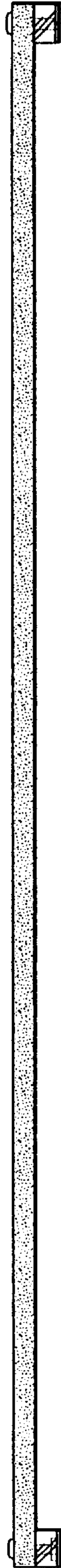


Fig. 4

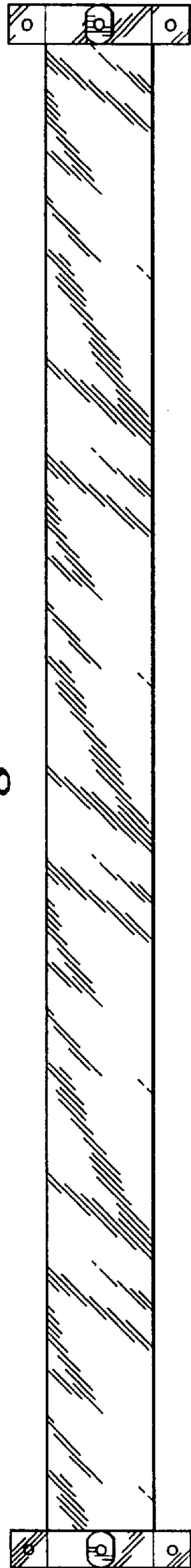


Fig. 5

