



US00D427510S

United States Patent [19]

[11] Patent Number: **Des. 427,510**

Gary et al.

[45] Date of Patent: **** Jul. 4, 2000**

[54] **MINI LIGHT SHINGLE AND GUTTER CLIP**

[75] Inventors: **Lonnie F. Gary**, Ransom Canyon;
Stephen L. Fillipp; **Chad H. Jones**,
both of Lubbock, all of Tex.

[73] Assignee: **Gary Products Group, Inc.**, Lubbock,
Tex.

[**] Term: **14 Years**

[21] Appl. No.: **29/106,504**

[22] Filed: **Jun. 16, 1999**

[51] **LOC (7) Cl.** **08-08**

[52] **U.S. Cl.** **D8/395; D8/396; D8/367;**
D26/138

[58] **Field of Search** D8/367, 394-396;
D26/138; 248/229.16, 74.2, 71, 314, 315;
362/388, 396, 249, 145, 806, 432

[56] **References Cited**

U.S. PATENT DOCUMENTS

- D. 319,575 9/1991 Young .
- D. 325,866 5/1992 Gary .
- D. 340,183 10/1993 Rumpel .
- D. 356,246 3/1995 Adams .
- D. 356,492 3/1995 Adams D26/138
- D. 376,535 12/1996 Gary et al. D8/396

- D. 414,291 9/1999 Gary et al. D8/395
- 3,540,687 11/1970 Cuva .
- 3,599,918 8/1971 Patchett .
- 4,905,131 2/1990 Gary .
- 5,496,005 3/1996 Dieringer .
- 5,581,956 12/1996 Fennessy et al. .
- 5,607,230 3/1997 Protz, Jr. .
- 5,609,415 3/1997 Protz, Jr. .
- 5,669,709 9/1997 Adams .
- 5,707,136 1/1998 Byers .

Primary Examiner—B. J. Bullock
Attorney, Agent, or Firm—Monty L. Ross; Locke Liddell & Sapp LLP

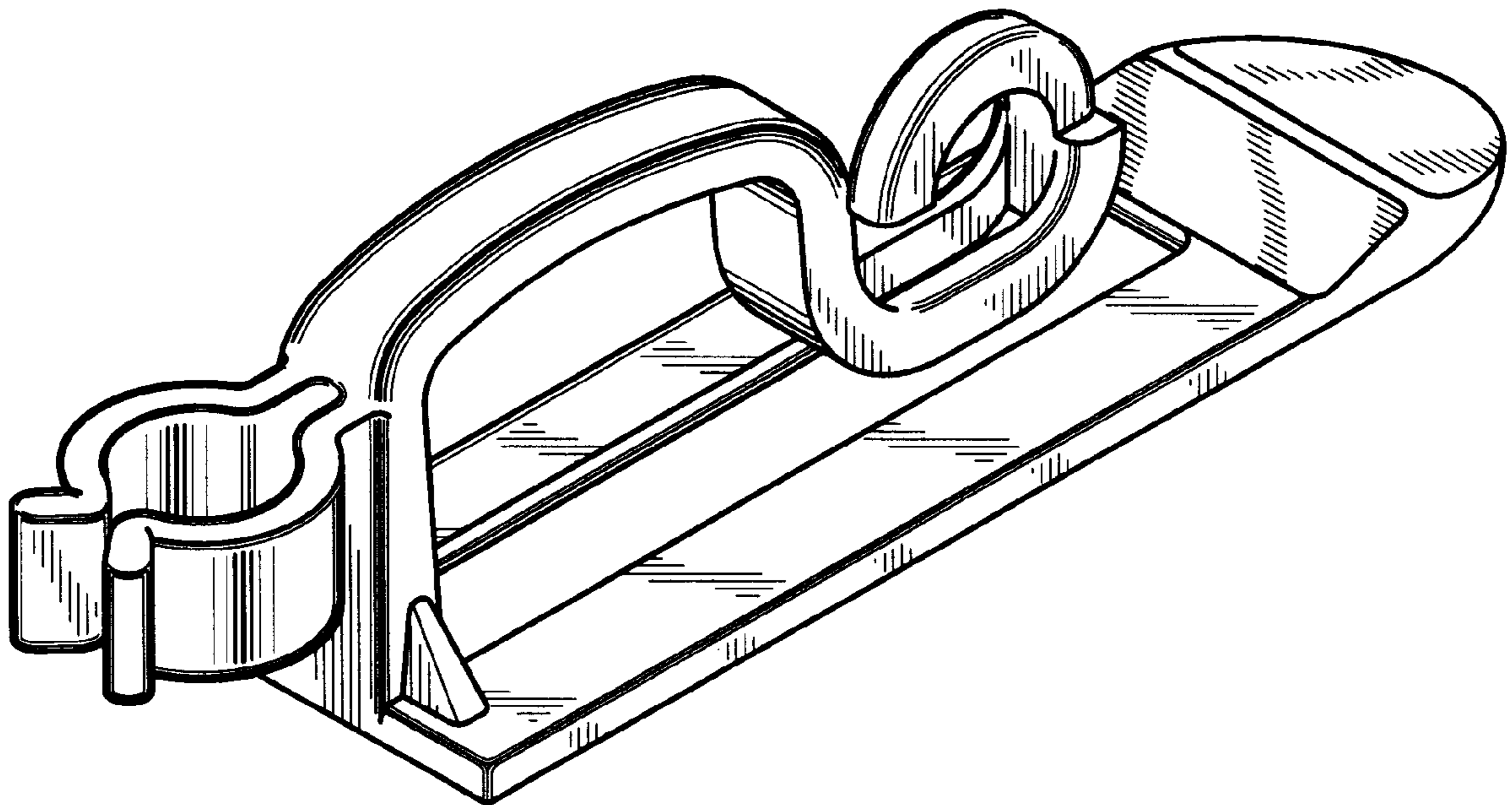
[57] **CLAIM**

The ornamental design for a mini light shingle and gutter clip, as shown and described.

DESCRIPTION

FIG. 1 is a top front perspective view of a mini light shingle and gutter clip, showing our design; FIG. 2 is a left side elevation view thereof; FIG. 3 is a front elevational view thereof, the rear being a mirror image; FIG. 4 is a right side elevation view thereof; FIG. 5 is a top plan view thereof; and, FIG. 6 is a bottom plan view thereof.

1 Claim, 1 Drawing Sheet



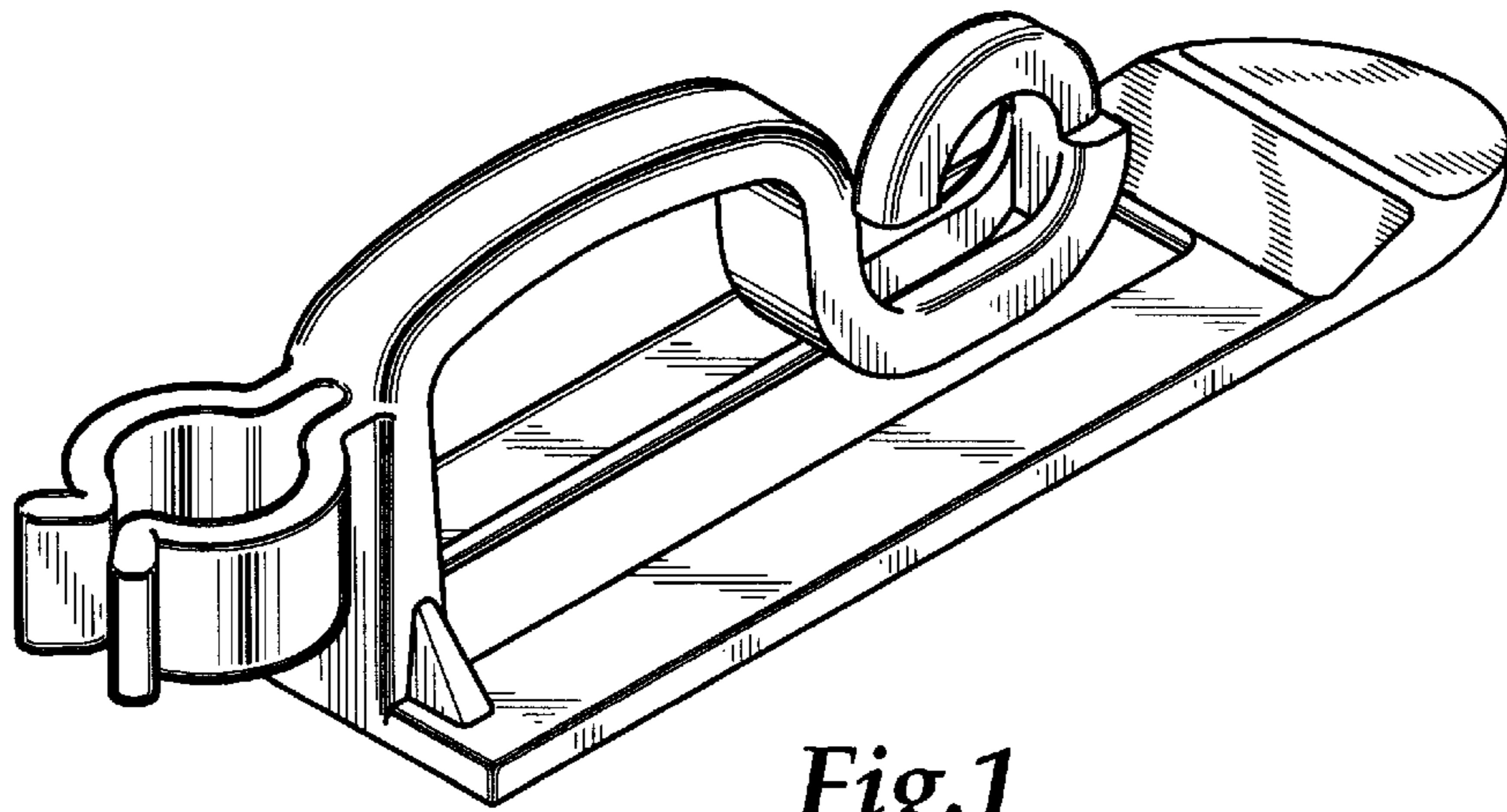


Fig.1

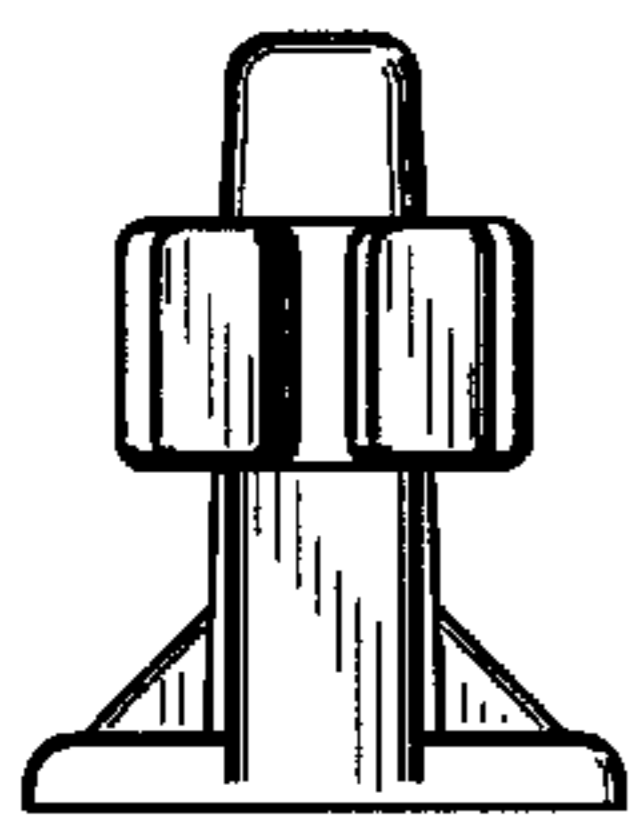


Fig.2

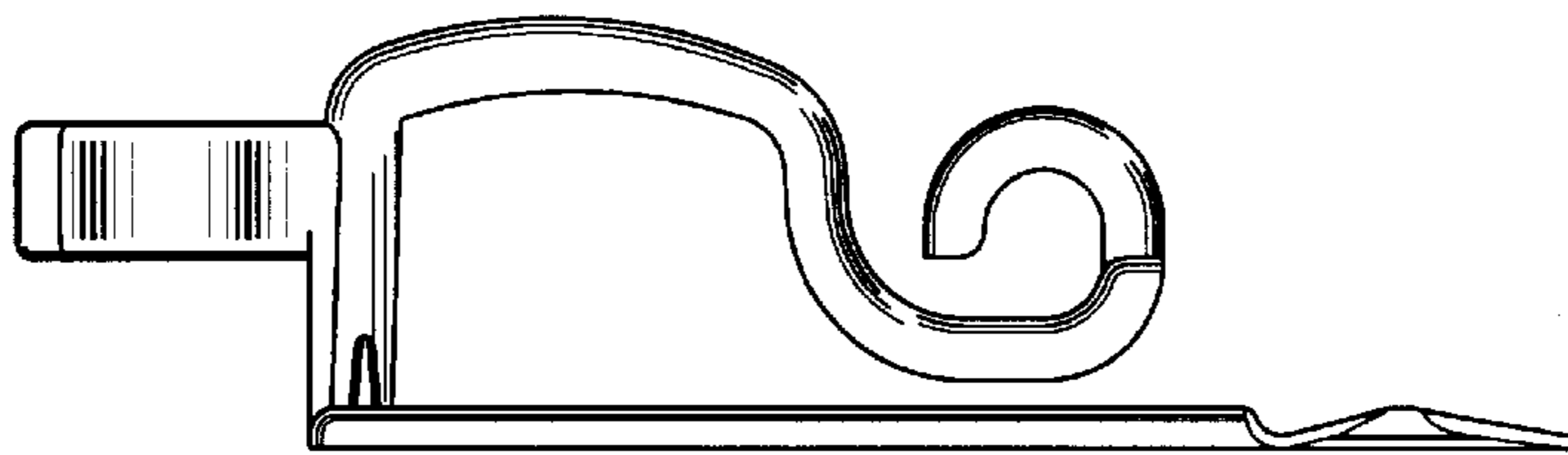


Fig.3

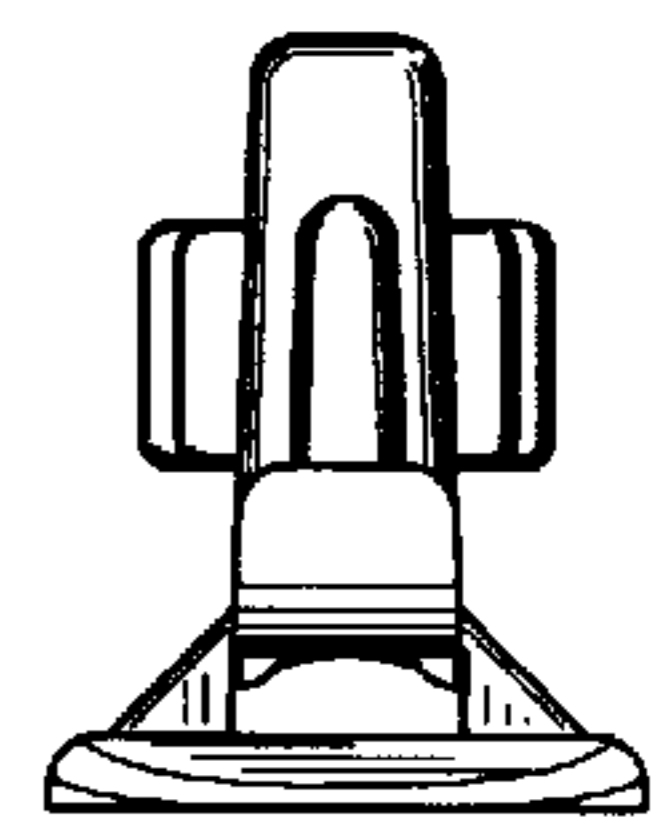


Fig.4

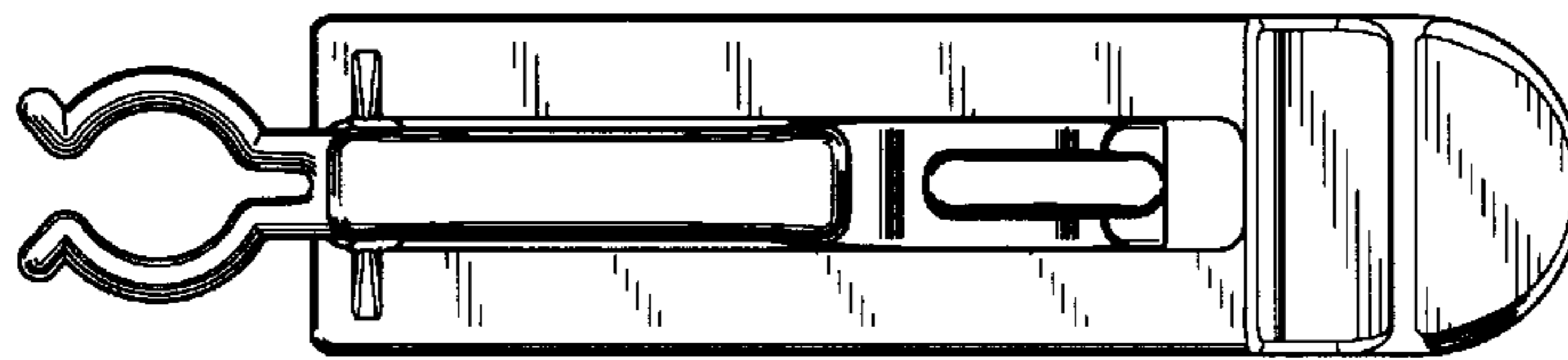


Fig.5

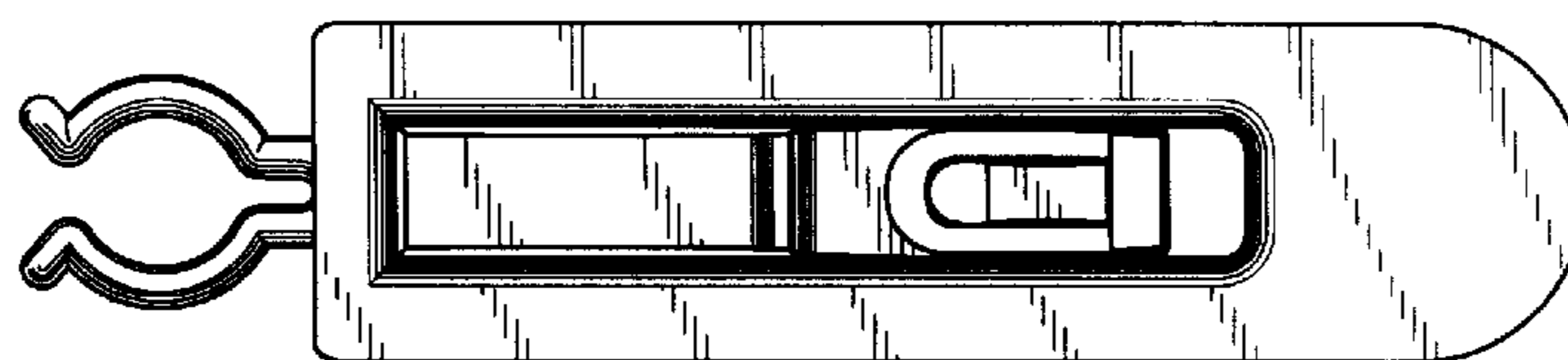


Fig.6