



US00D427504S

United States Patent [19] Dziedzic

[11] Patent Number: **Des. 427,504**
[45] Date of Patent: **** Jul. 4, 2000**

[54] **BANDED MOUNT**

[75] Inventor: **Edward Dziedzic**, Germantown, Tenn.

[73] Assignee: **Aluma Form, Inc.**, Memphis, Tenn.

[**] Term: **14 Years**

[21] Appl. No.: **29/105,273**

[22] Filed: **May 21, 1999**

[51] **LOC (7) Cl.** **08-05**

[52] **U.S. Cl.** **D8/356**

[58] **Field of Search** D8/349, 354; 248/49,
248/300, 200, 201, 65

4,066,233	1/1978	Heard .	
4,125,240	11/1978	Heard .	
4,211,381	7/1980	Heard .	
4,325,259	4/1982	Willertz .	
4,635,888	1/1987	Aldridge et al. .	
4,759,521	7/1988	Aldridge et al. .	
4,899,963	2/1990	Murphy	248/65
5,098,051	3/1992	Aldridge et al. .	

Primary Examiner—Holly Baynham
Attorney, Agent, or Firm—Paul M. Denk

[57] CLAIM

The ornamental design for the banded mount, as shown and described.

DESCRIPTION

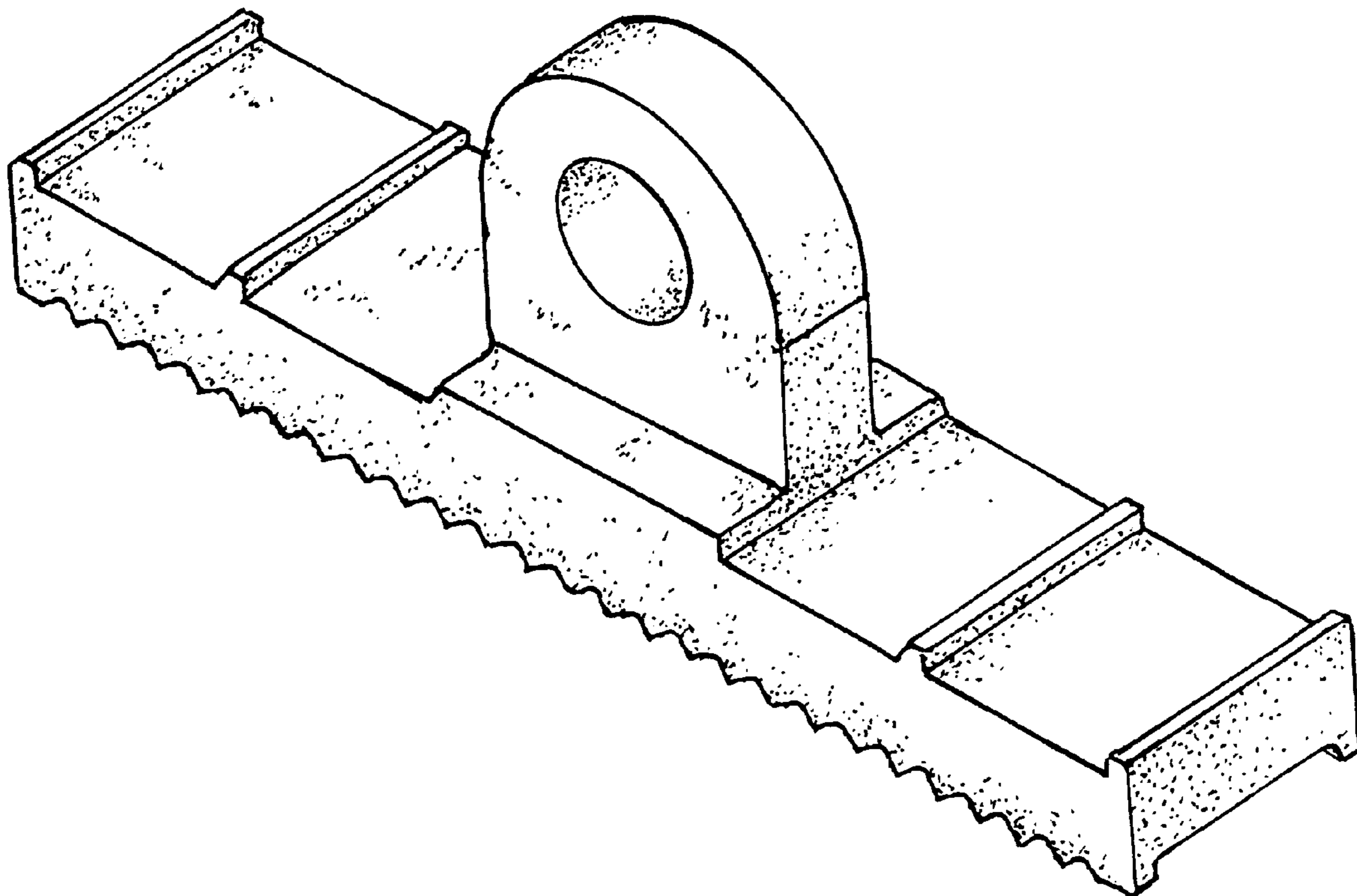
FIG. 1 is an isometric view of the banded mount of this invention;
 FIG. 2 is a side view thereof, the opposite side view being a mirror image thereof;
 FIG. 3 is an end view, the opposite end view being a mirror image thereof;
 FIG. 4 is a top view thereof;
 FIG. 5 is a bottom view of the invention.
 FIG. 6 is an isometric view of a modified banded mount;
 FIG. 7 is side view, the opposite side view being a mirror image thereof;
 FIG. 8 is a bottom view of the invention;
 FIG. 9 is an end view, the opposite end view being a mirror image thereof; and,
 FIG. 10 is a top view thereof.

1 Claim, 2 Drawing Sheets

[56] References Cited

U.S. PATENT DOCUMENTS

D. 269,064	5/1983	Ericsson	D8/356
1,653,083	12/1927	Blaw .	
1,907,889	5/1933	Stauffer .	
2,383,881	8/1945	Murphy .	
2,651,094	9/1953	Dodge .	
2,703,216	3/1955	Petersen .	
2,706,023	4/1955	Merritt .	
2,780,205	2/1957	Banck .	
2,977,995	4/1961	Walpole .	
3,241,800	3/1966	Richter, III .	
3,374,978	3/1968	Salmon et al. .	
3,462,110	8/1969	Cheslock .	
3,734,438	5/1973	Kautz .	
3,750,992	8/1973	Johnson .	
3,894,707	7/1975	Heard .	



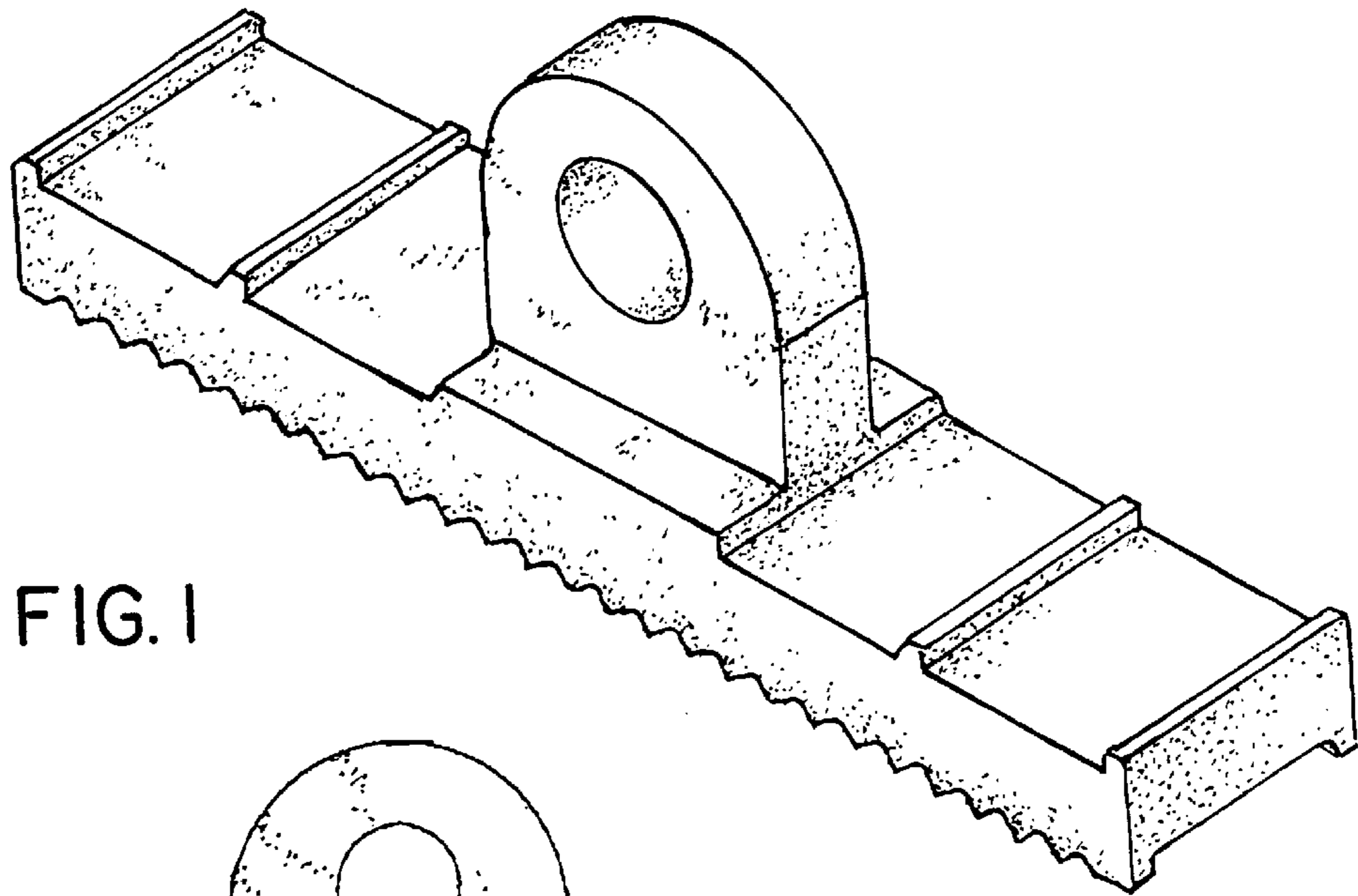


FIG. 1

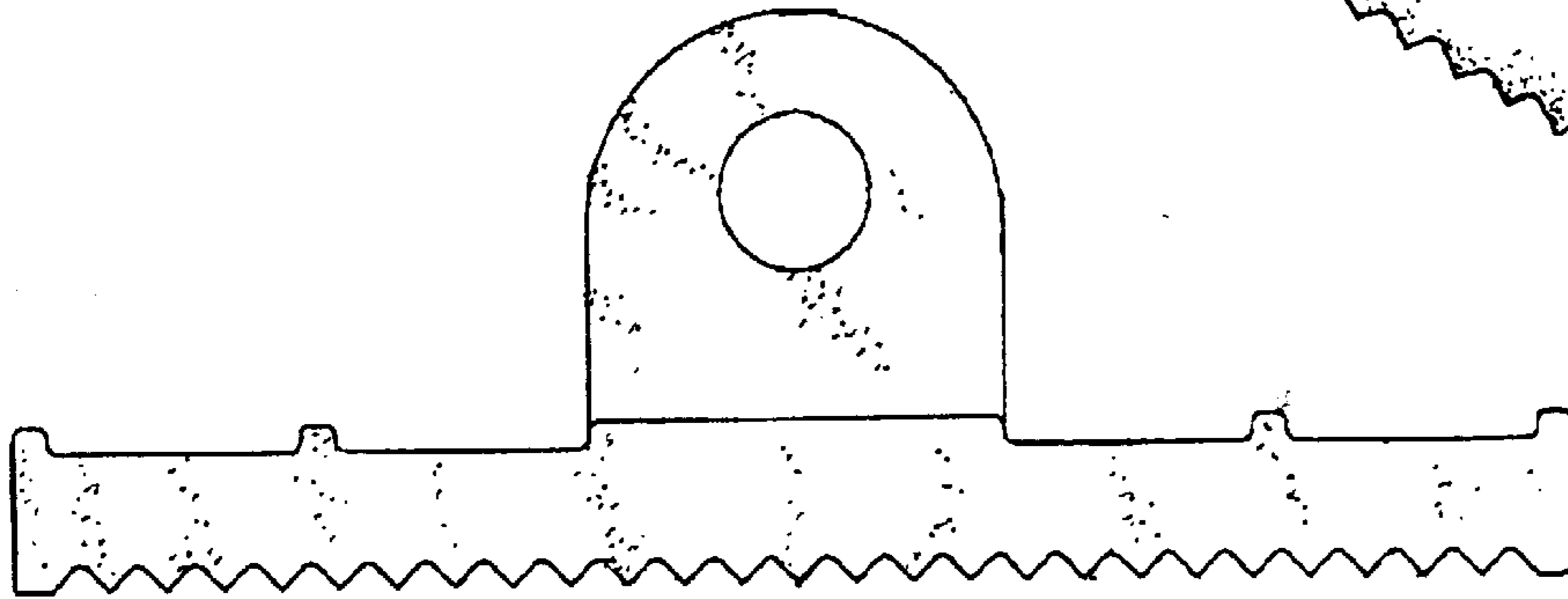


FIG. 2

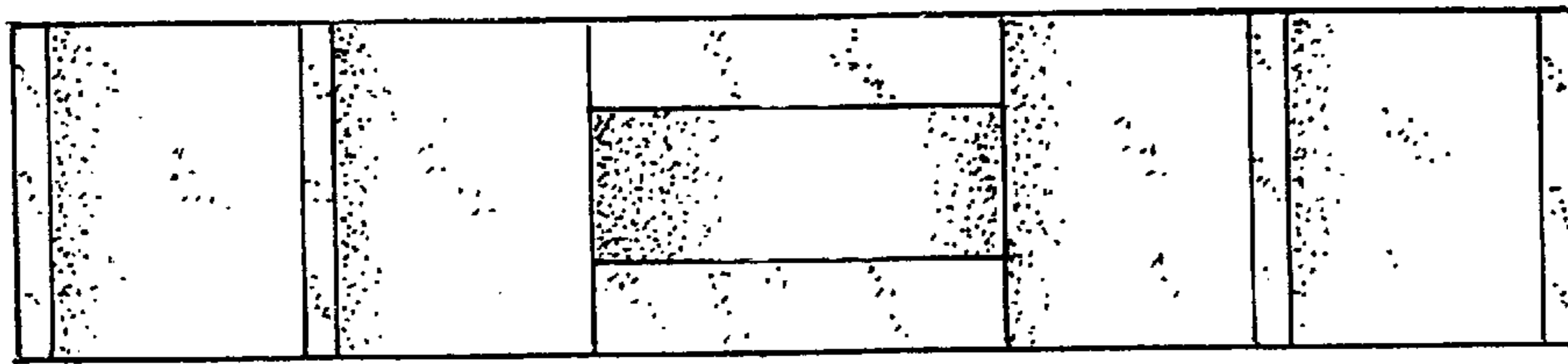


FIG. 4

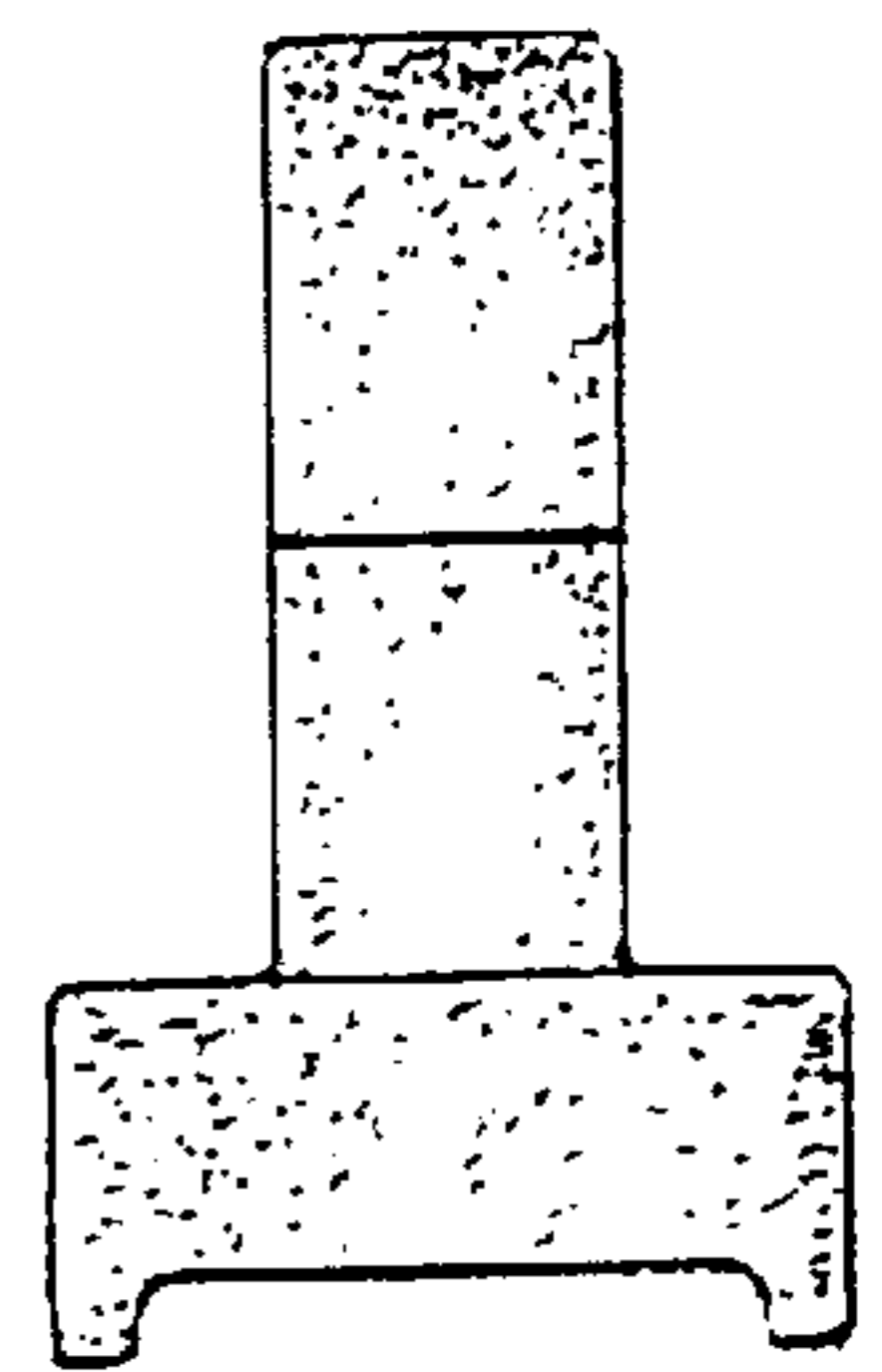


FIG. 3

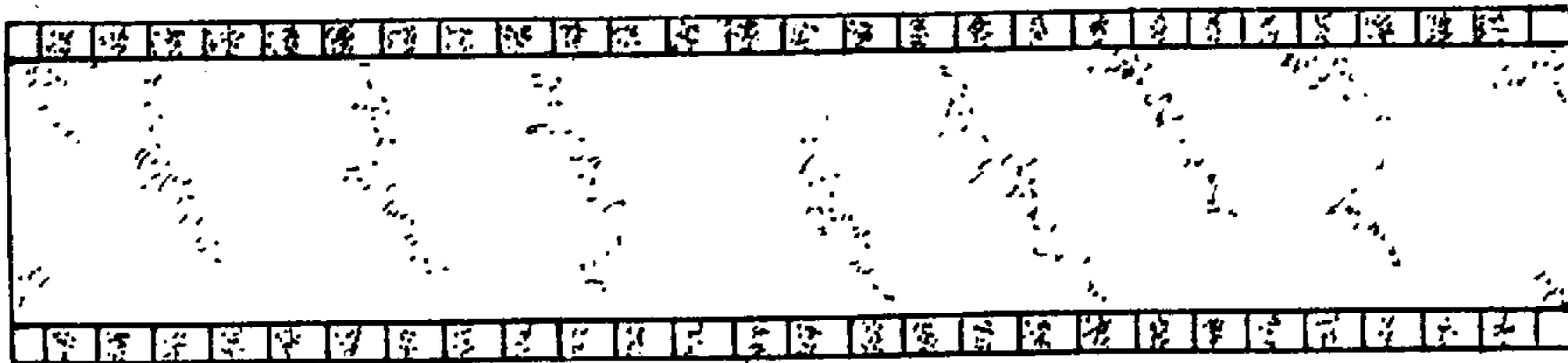


FIG. 5

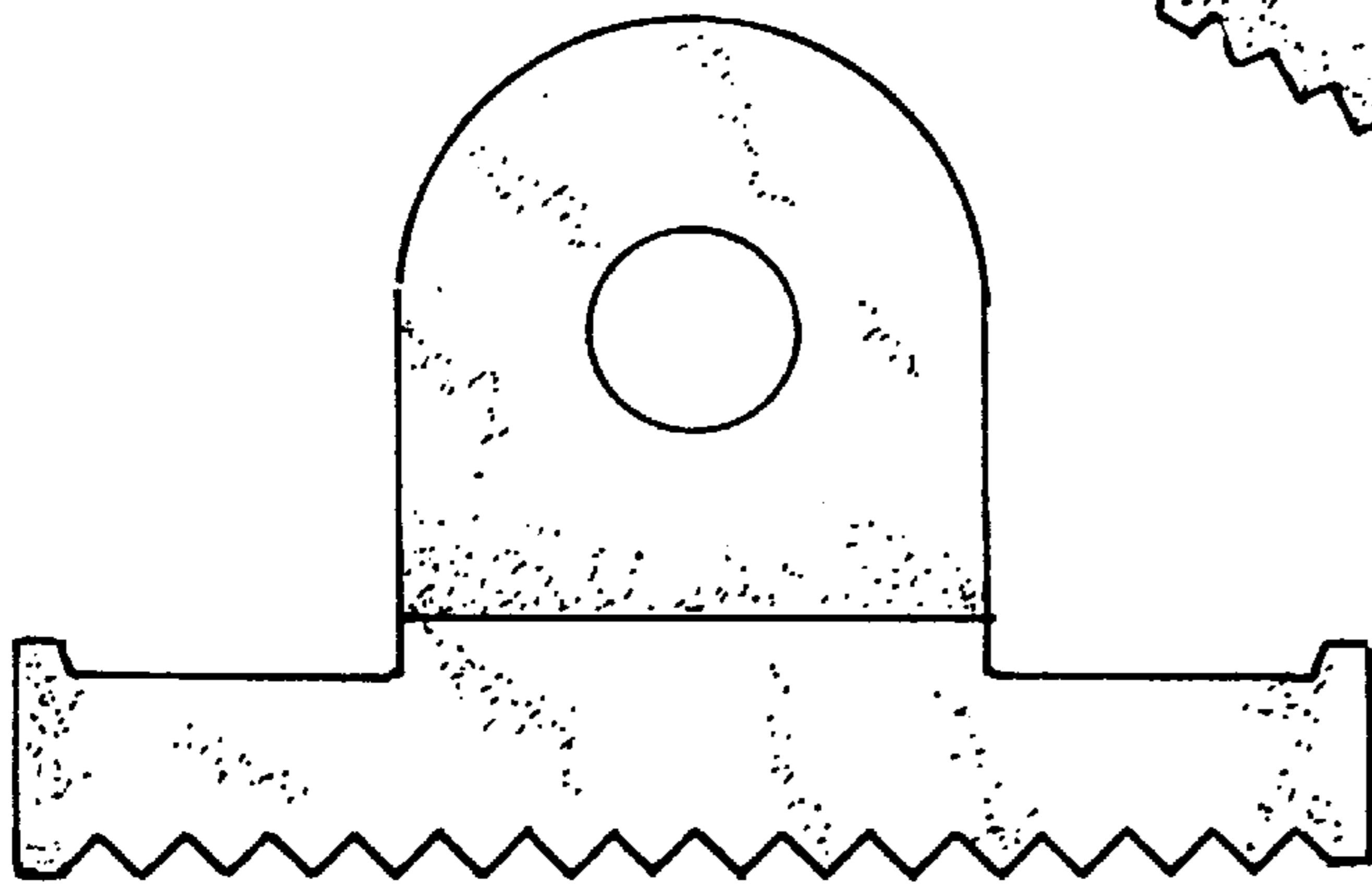


FIG. 7

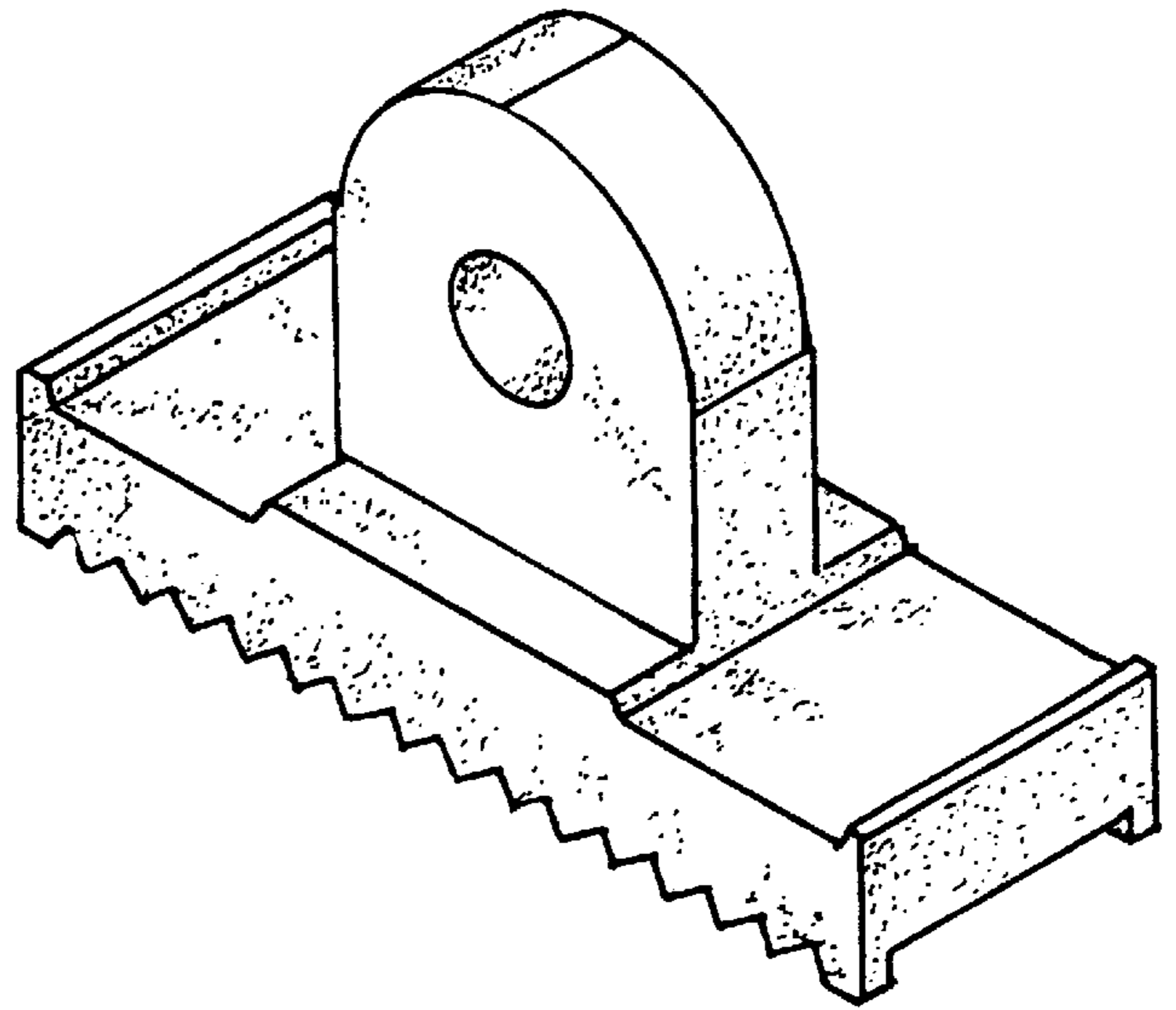


FIG. 6

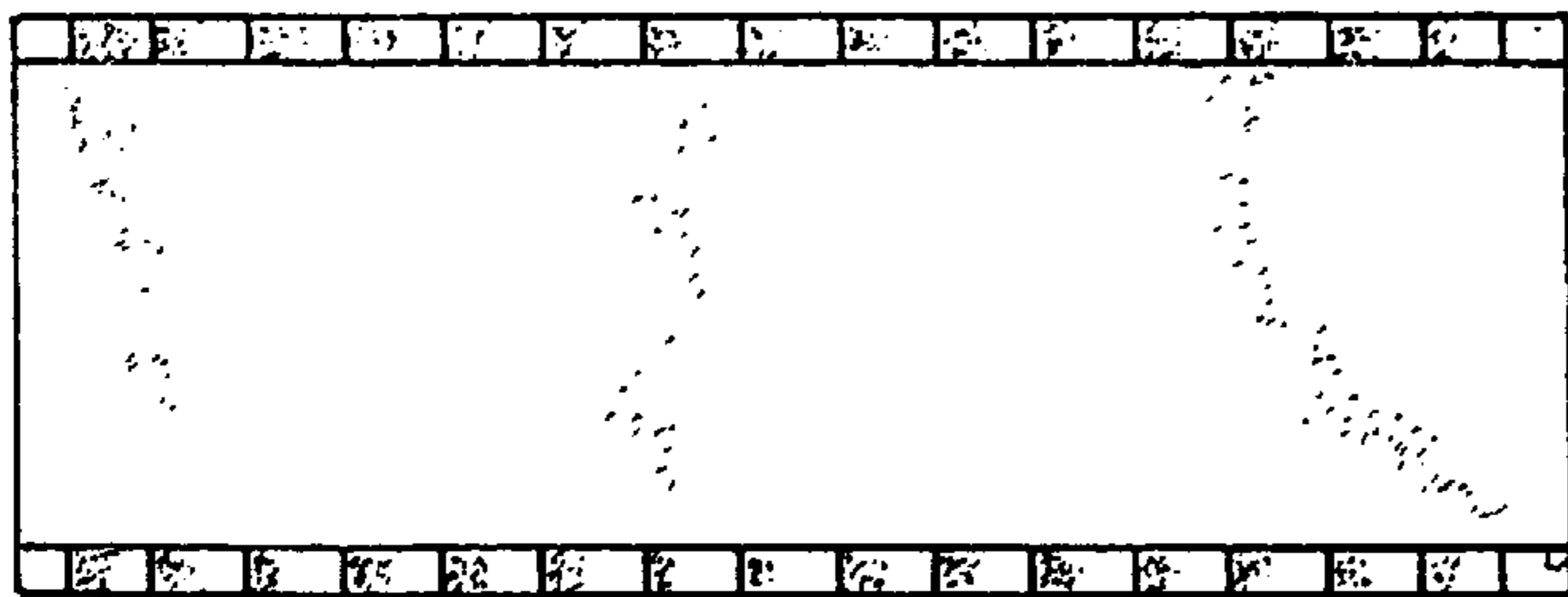


FIG. 8

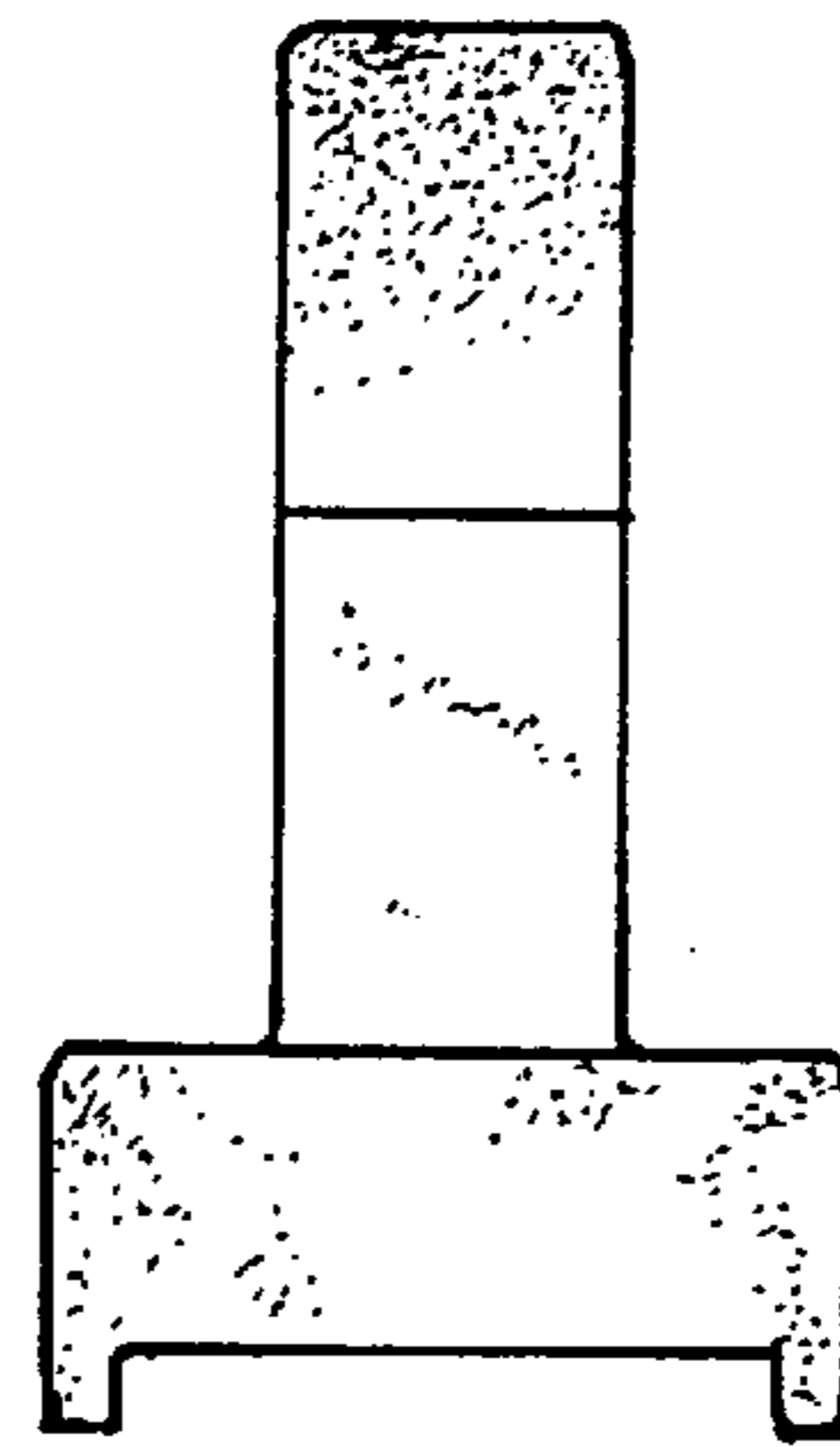


FIG. 9

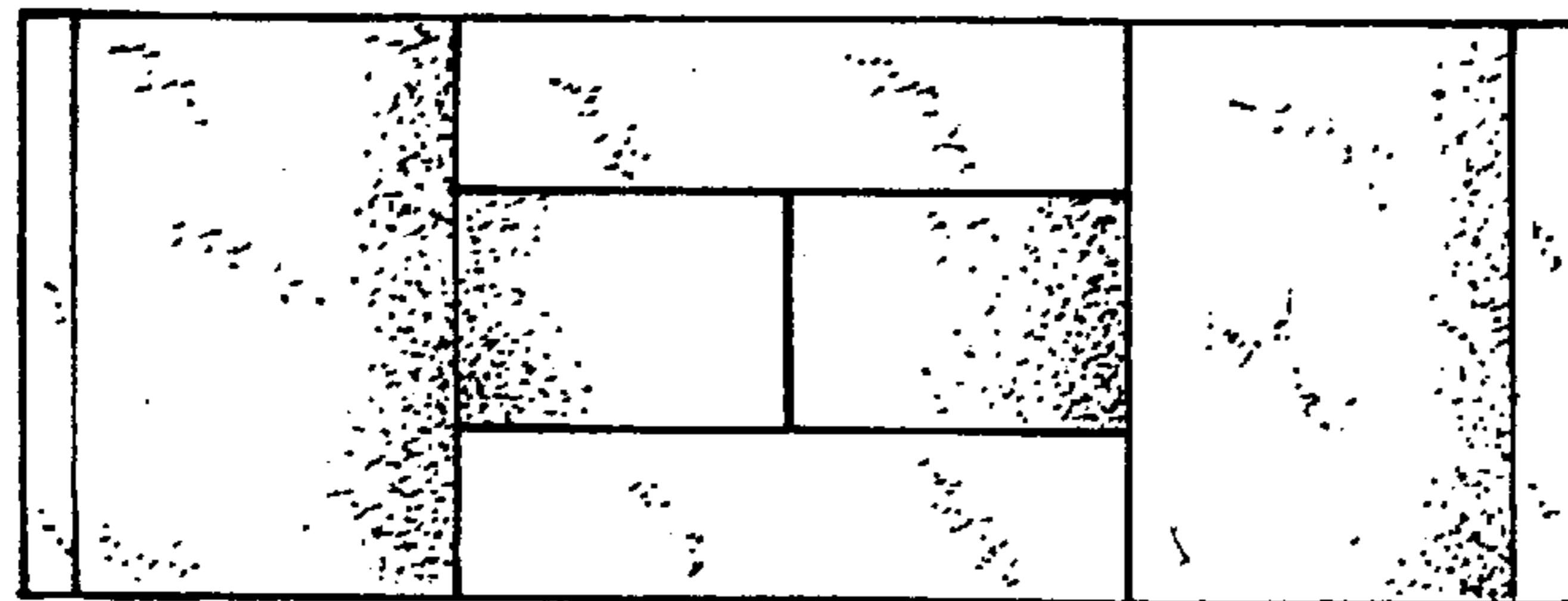


FIG. 10