



US00D427502S

United States Patent [19]

Ferrari et al.

[11] Patent Number: Des. 427,502

[45] Date of Patent: ** Jul. 4, 2000

[54] **NON-SLIP GRIP WRAP FOR USE ON HANDLES OF HAND TOOLS**

[75] Inventors: **Mathew F. Ferrari; Harry M. Ferrari**, both of Pittsburgh, Pa.

[73] Assignee: **Ferrari Importing Company**, Pa.

[**] Term: **14 Years**

[21] Appl. No.: **29/102,372**

[22] Filed: **Mar. 23, 1999**

[51] **LOC (7) Cl.** **08-05**

[52] **U.S. Cl.** **D8/107**

[58] **Field of Search** 473/204, 301; D8/107; 16/110.1, 430, 431, DIG. 12; D21/756

[56] **References Cited**

U.S. PATENT DOCUMENTS

| | | | |
|-----------|---------|--------------|------------|
| 2,721,741 | 10/1955 | Prendergast | 473/301 |
| 3,311,375 | 3/1967 | Onions | 473/301 |
| 3,813,729 | 6/1974 | Szabo et al. | 16/430 |
| 4,174,109 | 11/1979 | Gaiser | 16/DIG. 12 |
| 5,690,560 | 11/1997 | Ruiz | 473/301 |
| 5,813,921 | 9/1998 | Huang | 473/301 |
| 5,816,934 | 10/1998 | Huang | 473/301 |

Primary Examiner—Alan P. Douglas

Assistant Examiner—Reid Hecker

Attorney, Agent, or Firm—Michael R. Swartz

[57] **CLAIM**

The ornamental design of a non-slip grip wrap, for use on handles of hand tools, as shown and described.

DESCRIPTION

FIG. 1 is a perspective view of a non-slip grip wrap showing our new design;

FIG. 2 is a front elevational view thereof;

FIG. 3 is a rear elevational view thereof;

FIG. 4 is a top plan view thereof;

FIG. 5 is a bottom plan view thereof;

FIG. 6 is a left side elevational view thereof;

FIG. 7 is a right side elevational view thereof;

FIG. 8 is a view of the non-slip grip wrap applied to the handle of a hammer;

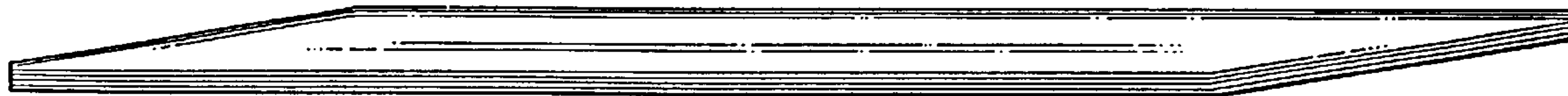
FIG. 9 is a view of the non-slip grip wrap applied to the handle of a screwdriver;

FIG. 10 is a view of the non-slip grip wrap applied to the handle of a chisel; and,

FIG. 11 is a view of the non-slip grip wrap applied to the handle of a pipe-wrench.

The broken line showing of the tools in FIGS. 8, 9, 10, and 11 is for illustrative purposes only and forms no part of the claimed design.

1 Claim, 2 Drawing Sheets



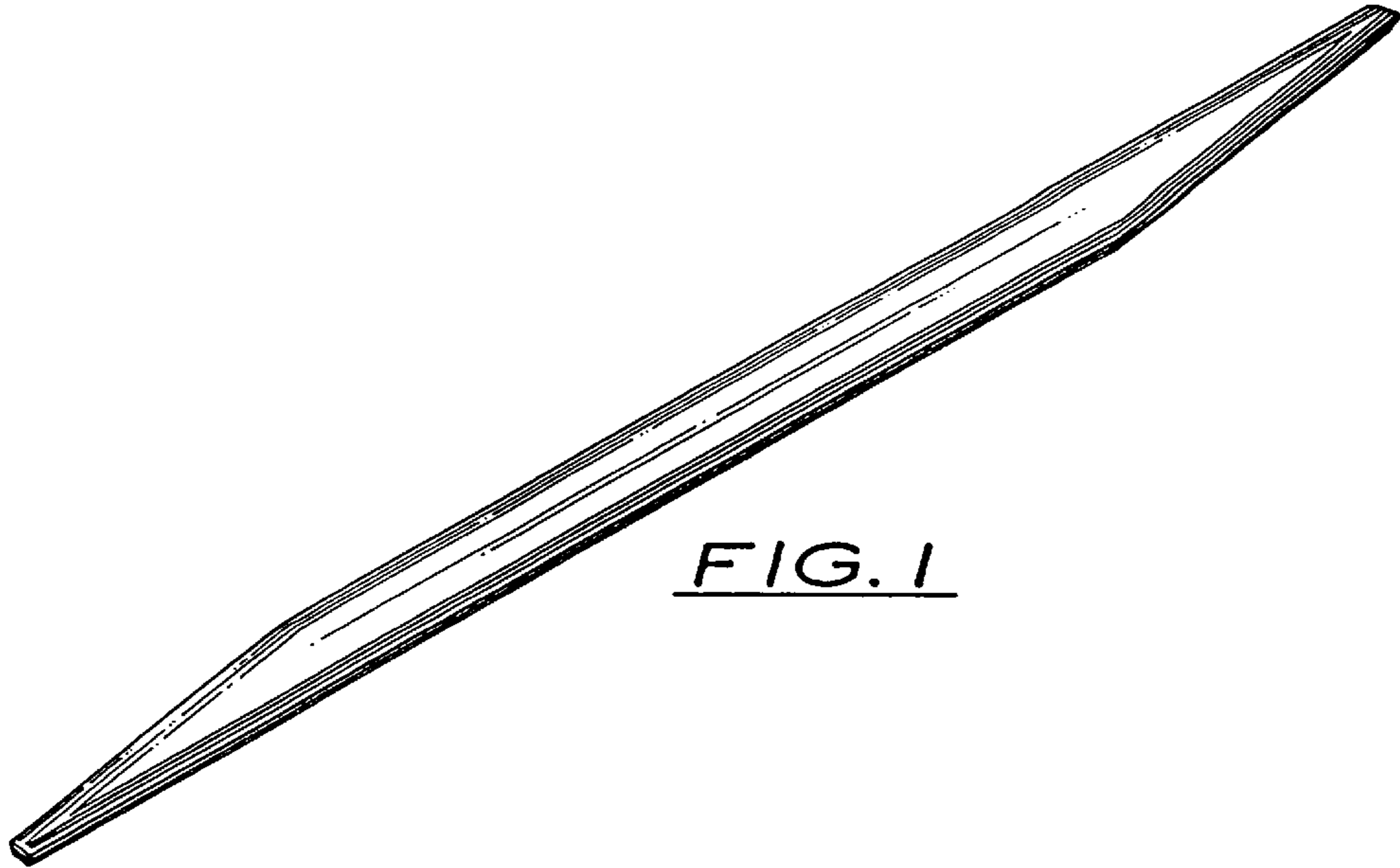


FIG. 1

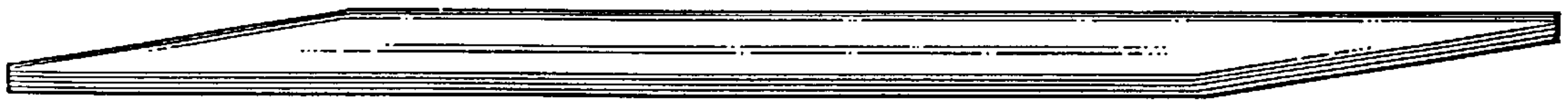


FIG. 2

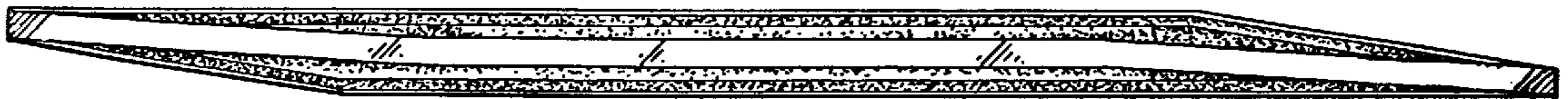


FIG. 3



FIG. 4



FIG. 5



FIG. 6



FIG. 7

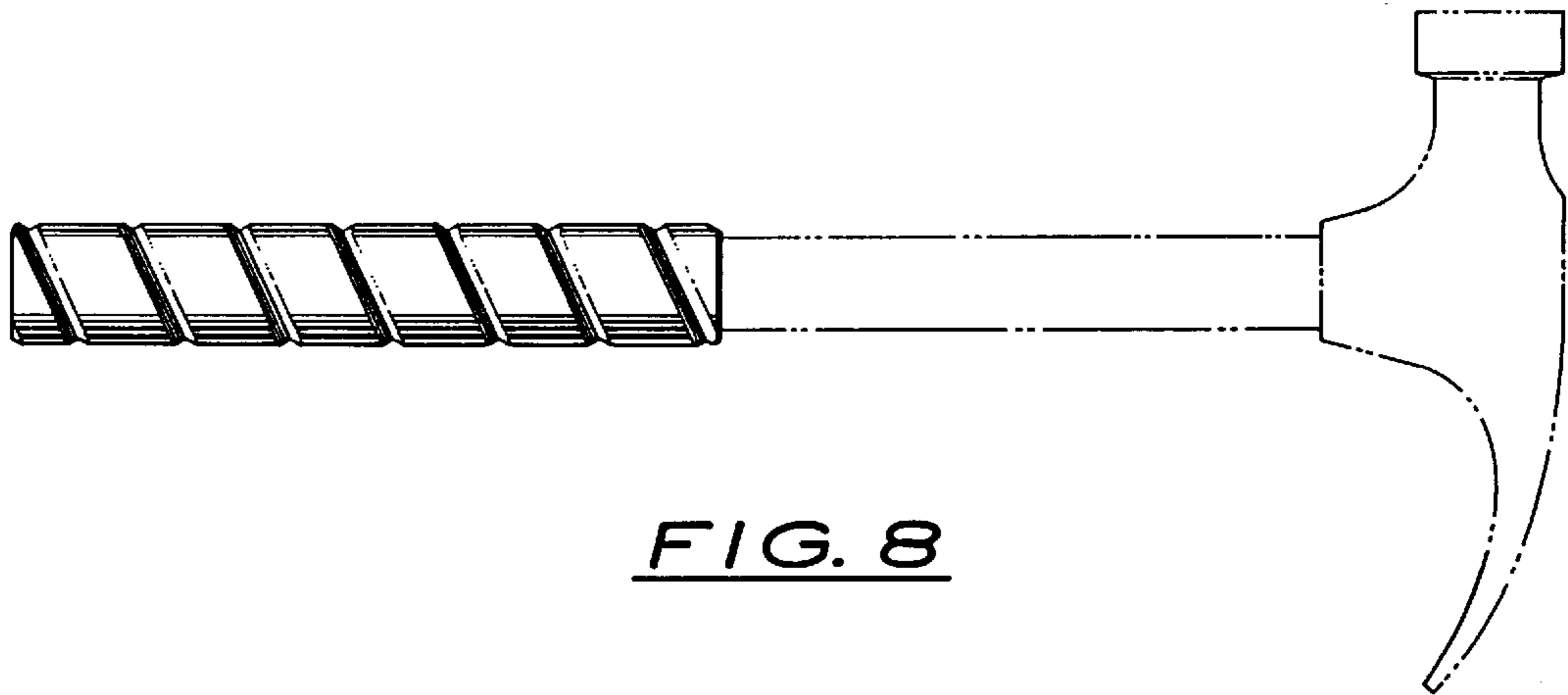


FIG. 8

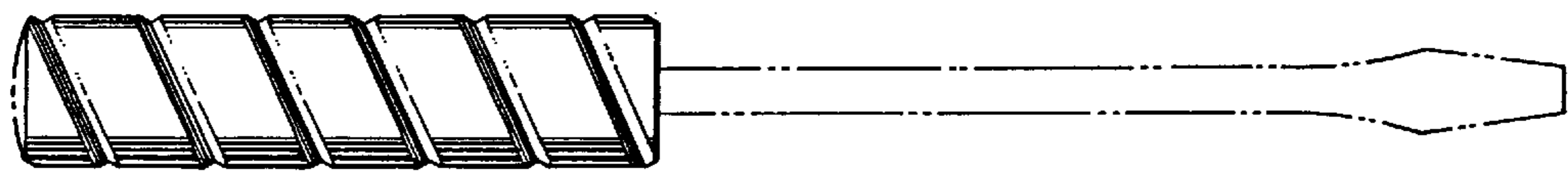


FIG. 9

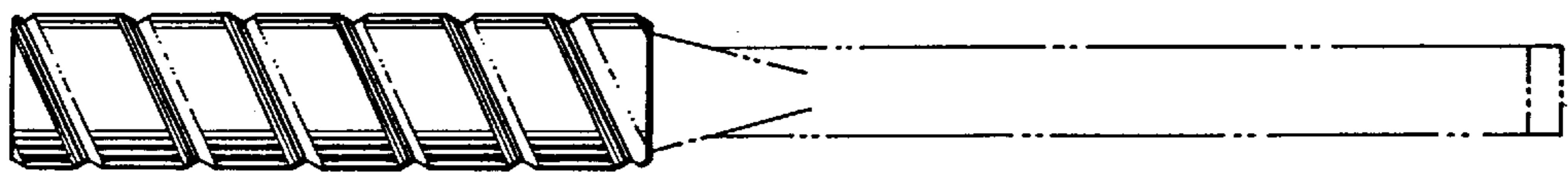


FIG. 10

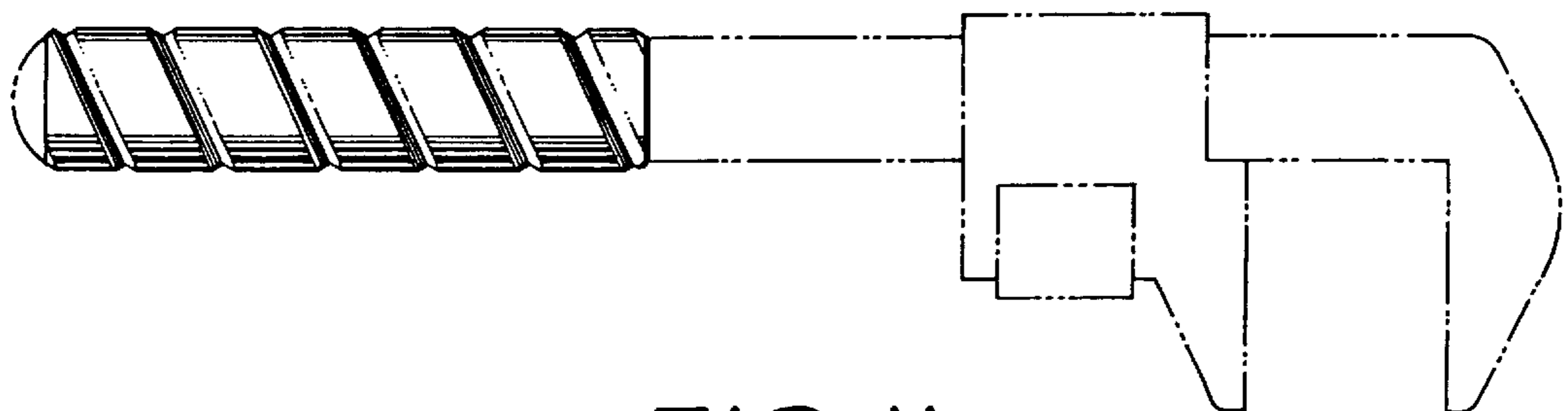


FIG. 11