



US00D427499S

# United States Patent [19]

Ricci et al.

[11] Patent Number: **Des. 427,499**

[45] Date of Patent: **\*\* Jul. 4, 2000**

[54] **TUBE SQUARING MACHINE**  
[75] Inventors: **Donato L. Ricci**, W8477 —162<sup>nd</sup> Ave., Hager City, Wis. 54017; **Brent Place**, Red Wing, Minn.

[73] Assignee: **Donato L. Ricci**, Hager City, Wis.

[\*\*] Term: **14 Years**

[21] Appl. No.: **29/114,215**

[22] Filed: **Nov. 22, 1999**

[51] **LOC (7) Cl.** ..... **08-03**

[52] **U.S. Cl.** ..... **D8/68; D8/69**

[58] **Field of Search** ..... D8/61, 62, 64, D8/68, 69, 70, 107; 82/113, 128, 130, 1.11; 408/103-107, 241 R; 279/151, 152, 153, 157

### [56] References Cited

#### U.S. PATENT DOCUMENTS

- D. 288,167 2/1987 Urspruch ..... D8/61
- D. 383,960 9/1997 Sandford et al. .... D8/61

- 4,319,503 3/1982 Saine et al. .... 408/104 X
- 4,739,682 4/1988 Birkestrand ..... 82/113
- 5,197,362 3/1993 Birkestrand ..... 82/113
- 5,619,893 4/1997 Pierce ..... 82/113
- 5,671,646 9/1997 Sandford et al. .... 82/113
- 5,711,197 1/1998 Ohmi et al. .... 82/113
- 5,941,145 8/1999 Marshall et al. .... 82/113
- 5,960,686 10/1999 Bonow ..... 82/1.11

*Primary Examiner*—Martie K. Holtje  
*Attorney, Agent, or Firm*—Nikolai, Mersereau & Dietz, P.A.

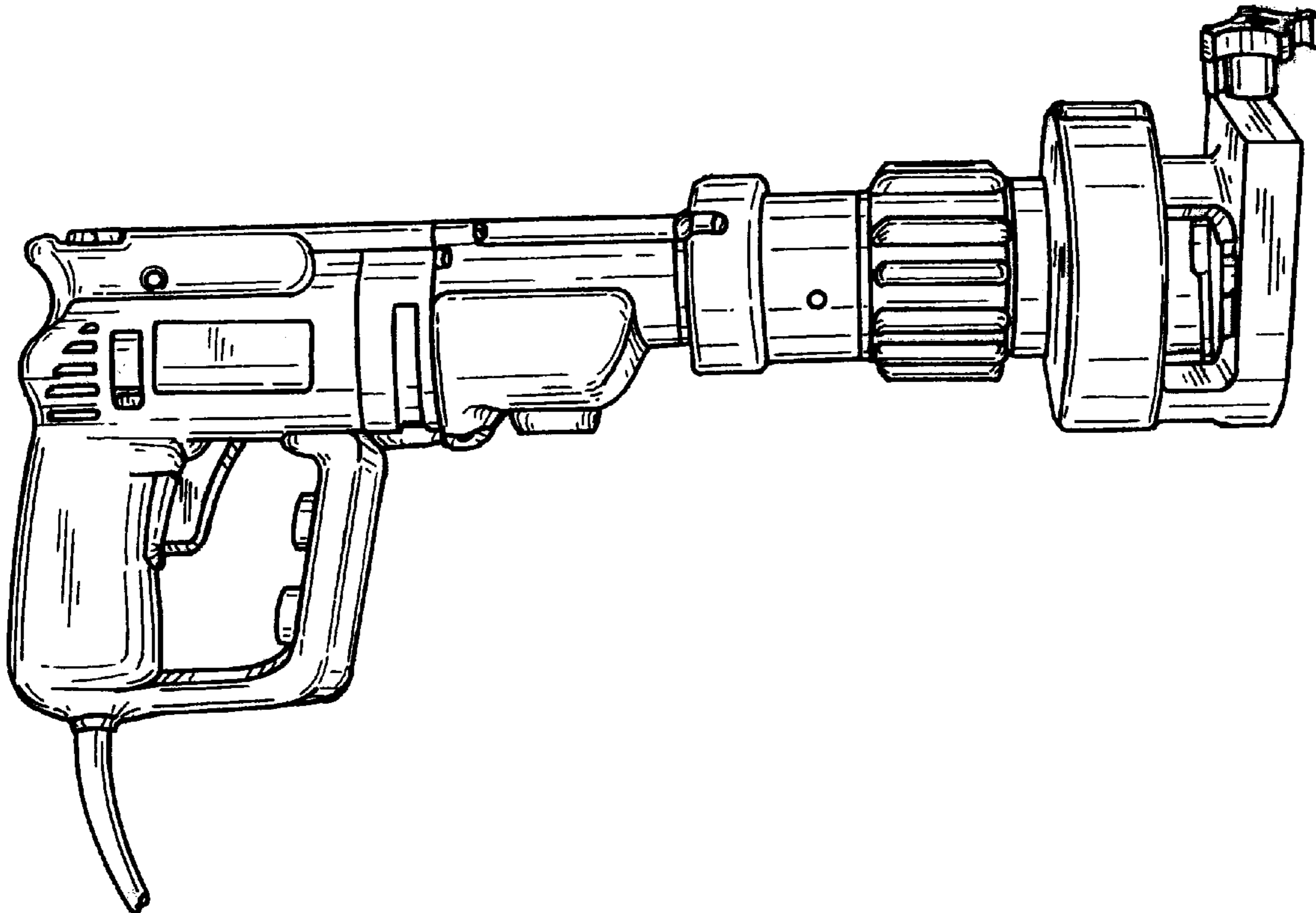
### [57] CLAIM

The ornamental design for a tube squaring machine, as shown and described.

### DESCRIPTION

FIG. 1 is a right side elevation of a tube squaring machine showing my new design;  
FIG. 2 is a left side view thereof;  
FIG. 3 is a top view thereof;  
FIG. 4 is a bottom view thereof;  
FIG. 5 is a right end view thereof; and,  
FIG. 6 is a left end view thereof.

**1 Claim, 3 Drawing Sheets**



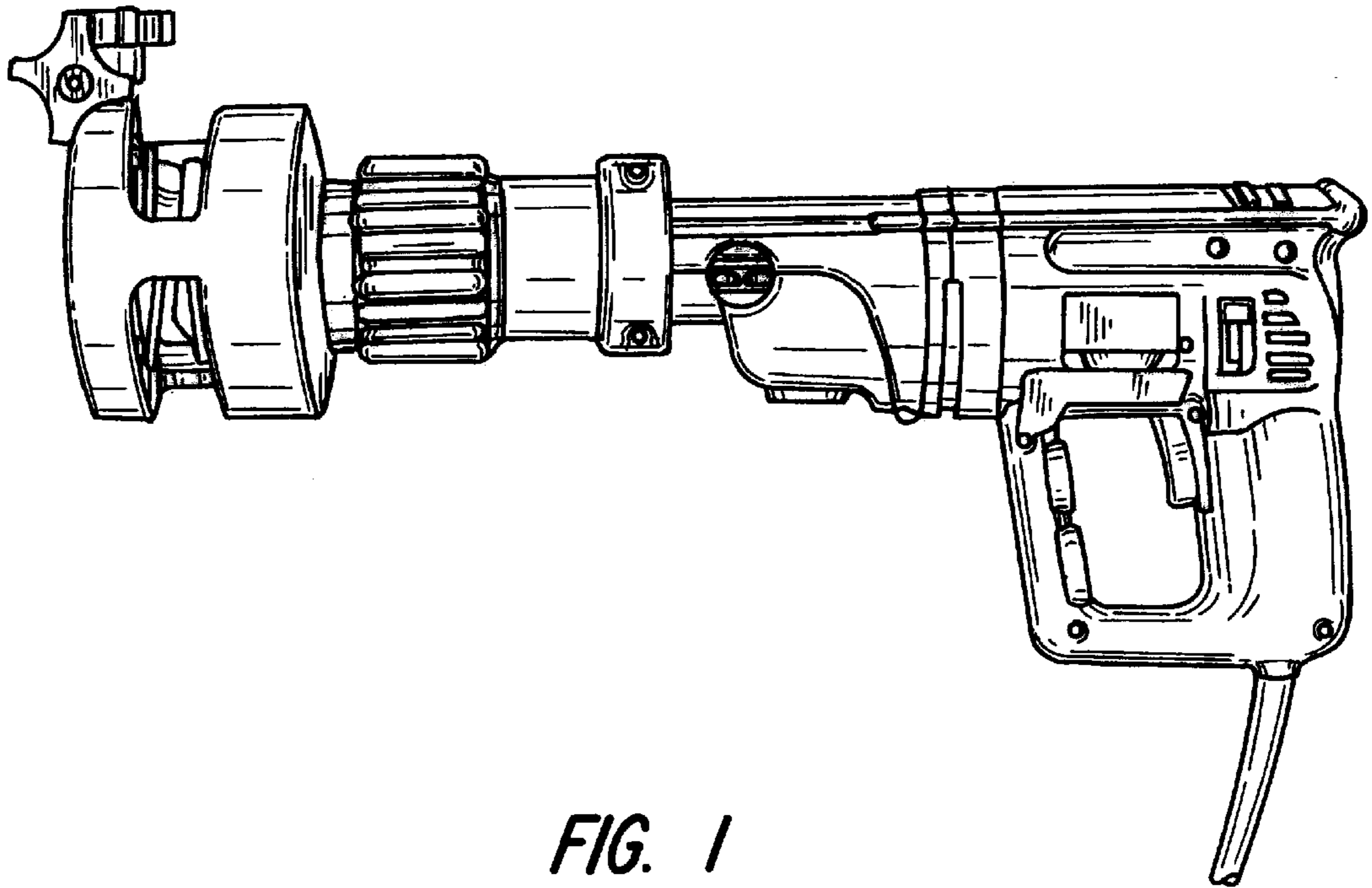


FIG. 1

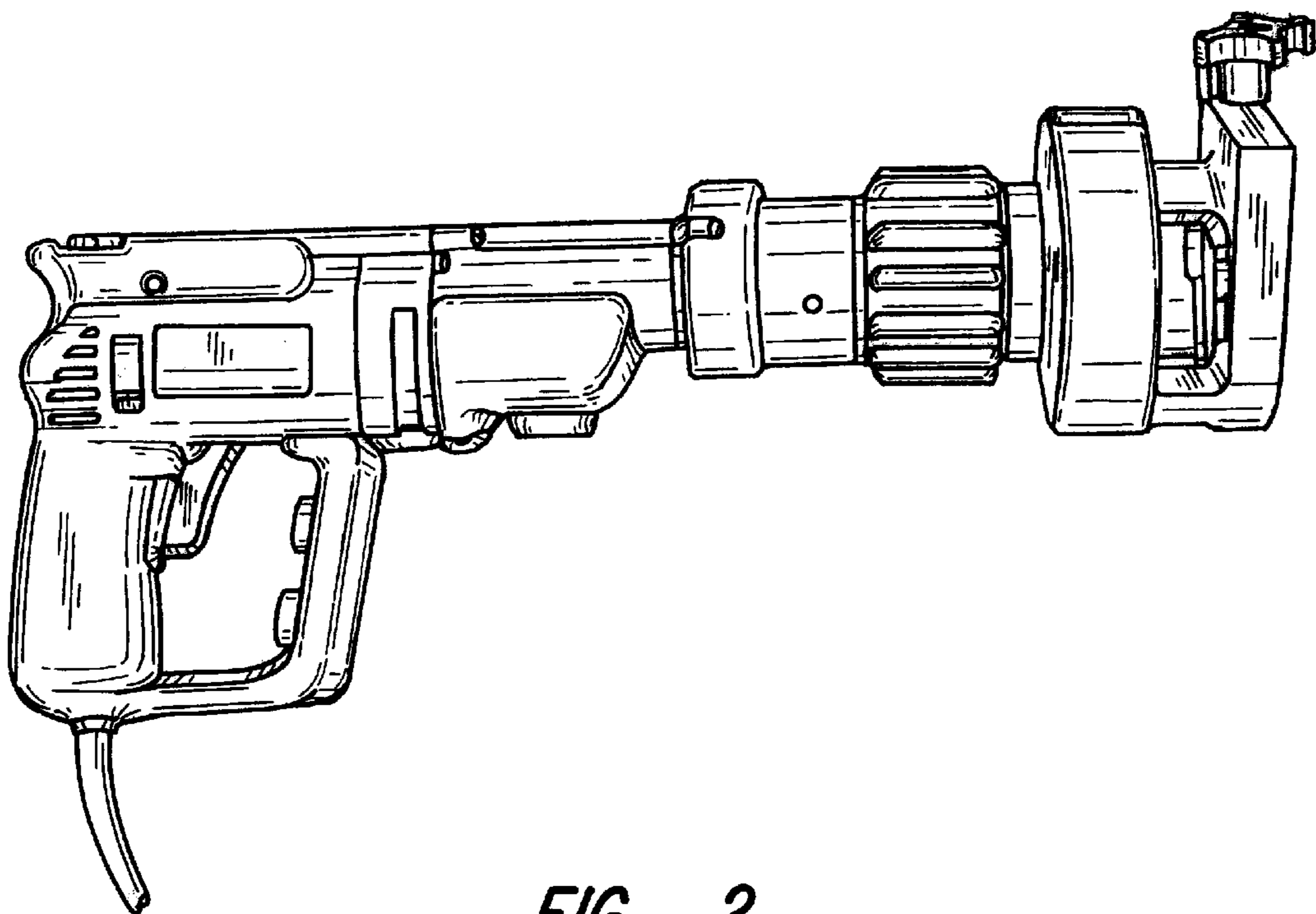


FIG. 2

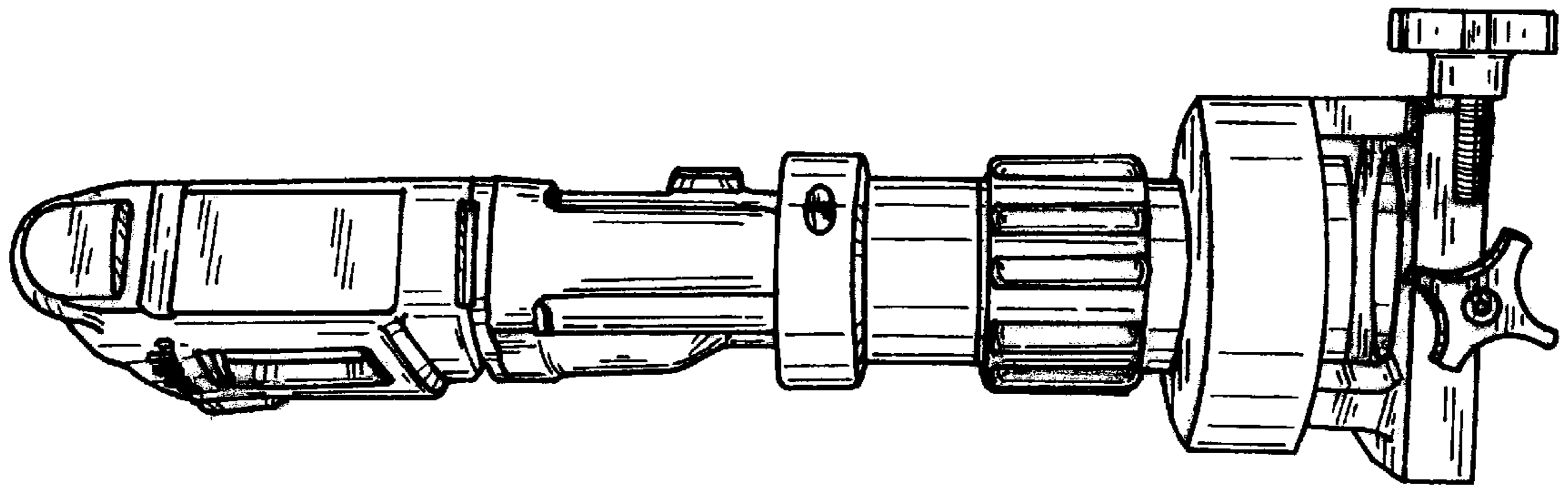


FIG. 3

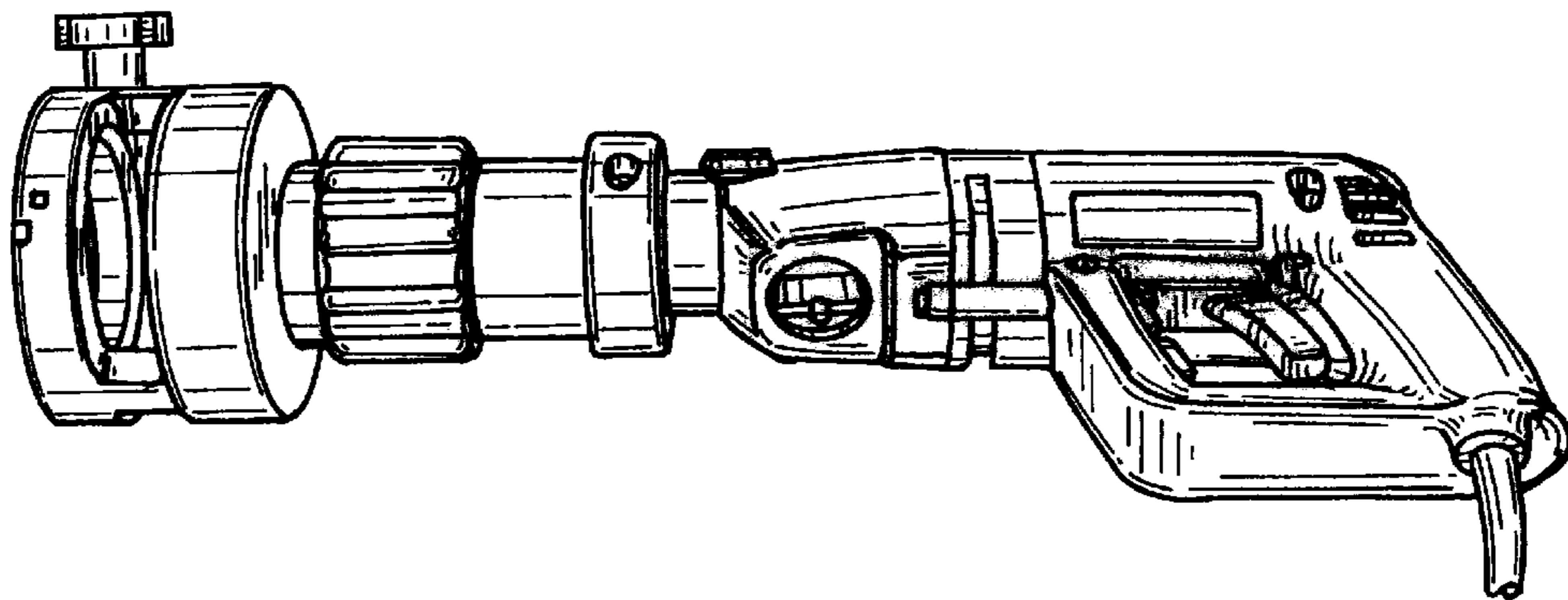


FIG. 4

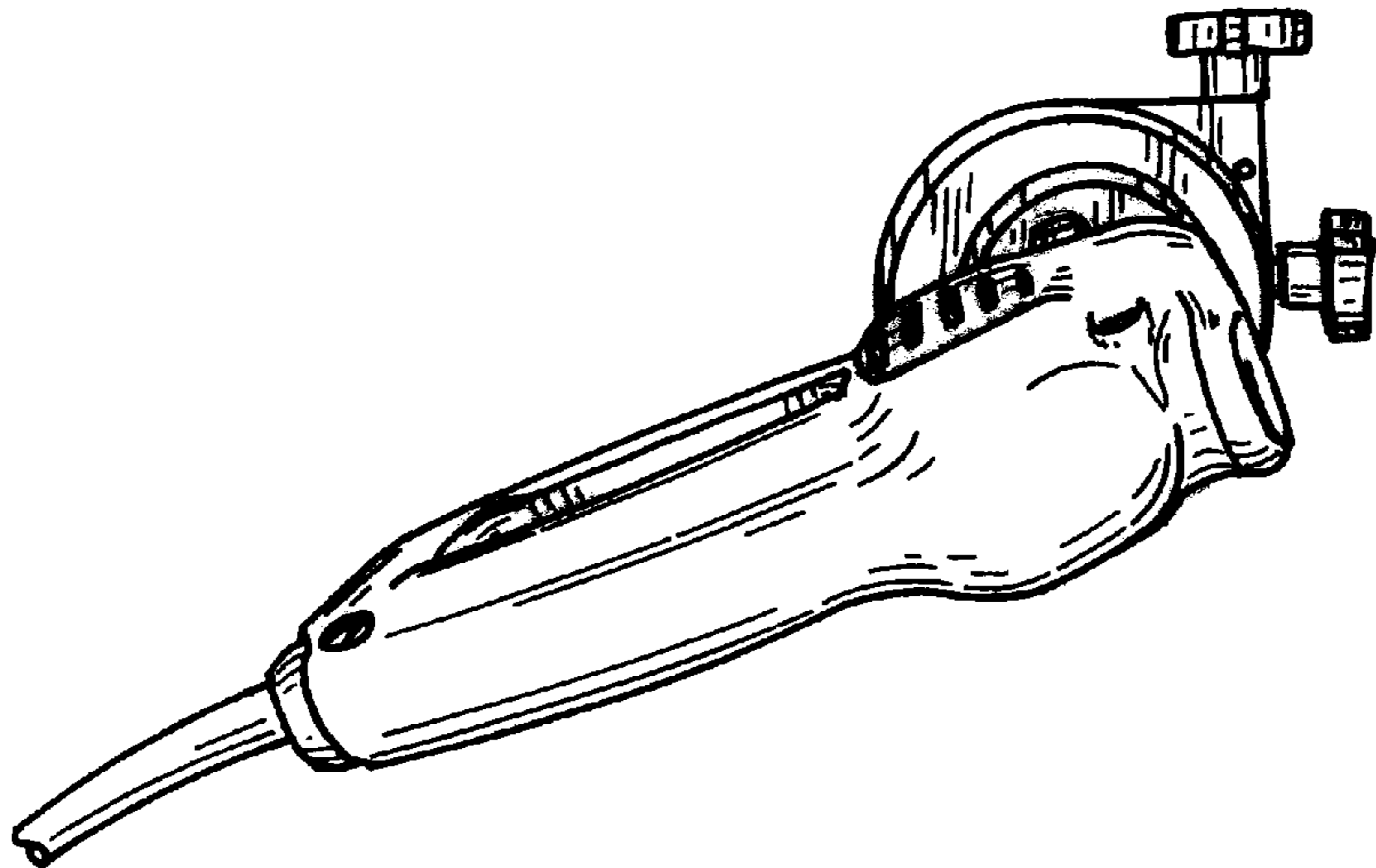


FIG. 5

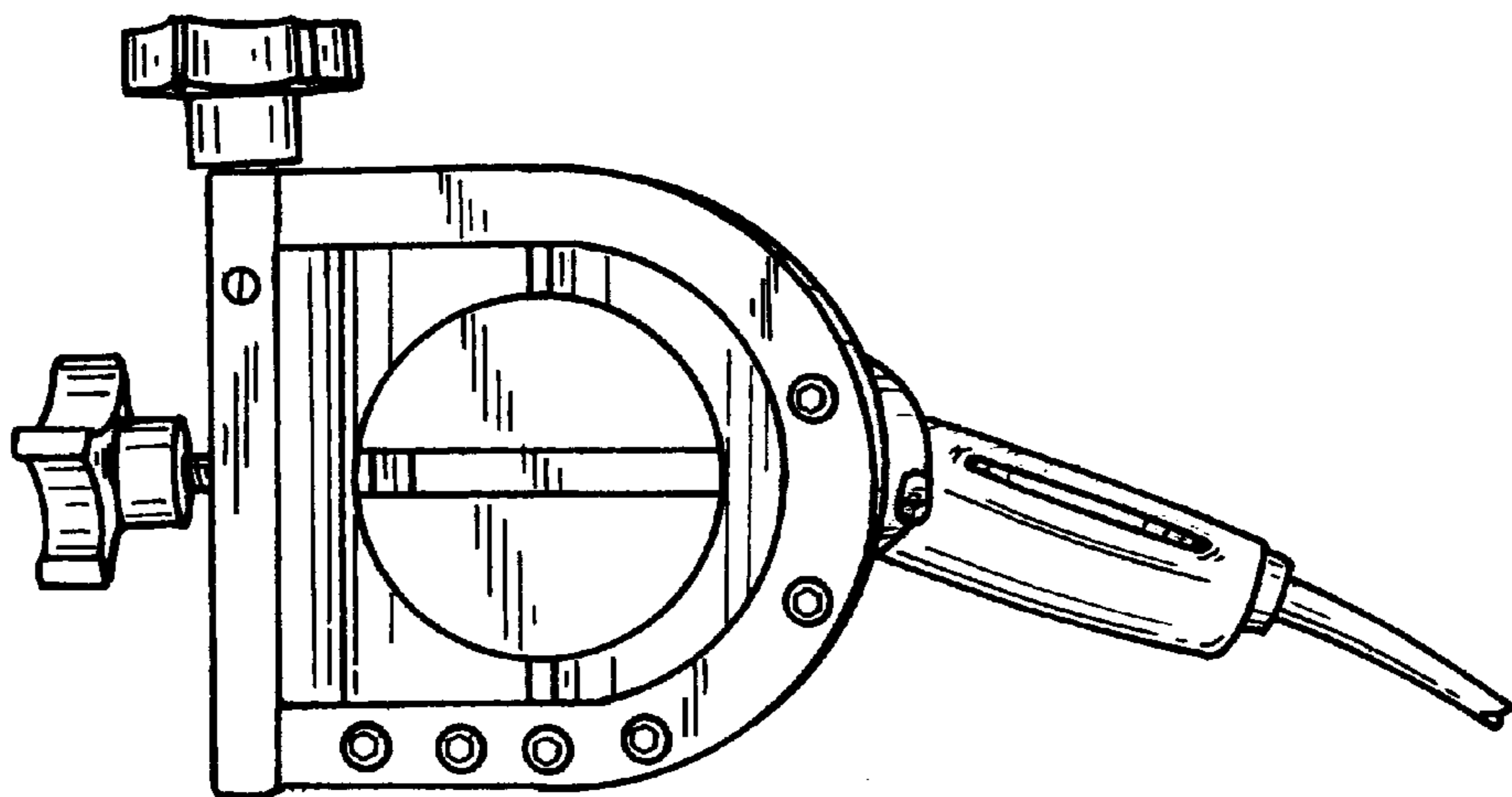


FIG. 6