



US00D427498S

United States Patent [19]

[11] **Patent Number: Des. 427,498**

Price et al.

[45] **Date of Patent: ** Jul. 4, 2000**

[54] **DUAL ACTION SANDER**

[75] Inventors: **Scott D. Price**, Lebanon, N.J.; **Mark A. Cieri**; **Edward C. Eardley**, both of Easton, Pa.

[73] Assignee: **Ingersoll-Rand Company**, Woodcliff Lake, N.J.

[**] Term: **14 Years**

[21] Appl. No.: **29/107,162**

[22] Filed: **Jun. 29, 1999**

[51] **LOC (7) Cl.** **08-01**

[52] **U.S. Cl.** **D8/62**

[58] **Field of Search** D8/61, 62, 67, D8/70, DIG. 7; 451/48, 103, 108, 109, 111, 119, 162, 177, 259, 270, 344, 351-353, 357-359

4,622,782 11/1986 Roestenberg 51/273
4,686,797 8/1987 Hoffman 51/170
4,879,847 11/1989 Butzen et al. 51/170
5,228,244 7/1993 Chu 451/456

OTHER PUBLICATIONS

ASH Mail Order Catalog No 32, p. 525-V, ©1981.
Campbell Industrial Supply Co. General Catalog, p. 411, 1982.
Automotive Power Tools, Ingersoll-Rand Catalog, 1992, p. 34.
Automotive Air Tools, Chicago Pneumatic Catalog, Mar. 1990, p. 36.

Primary Examiner—Martie K. Holtje
Attorney, Agent, or Firm—Leon Nigohosian, Jr.

[57] CLAIM

The ornamental design of a dual action sander, as shown and described.

DESCRIPTION

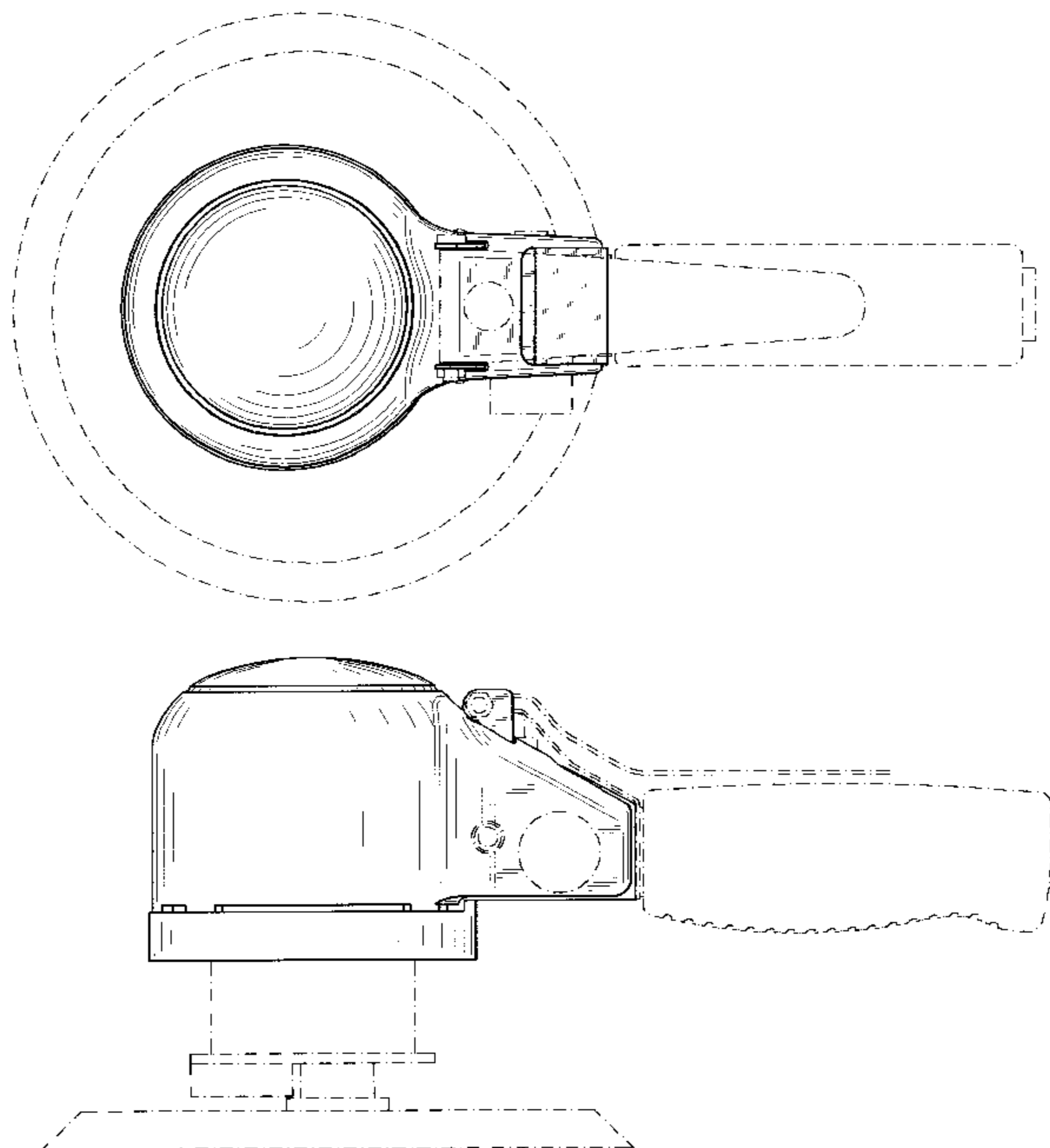
FIG. 1 is a top plan view of a dual action sander according to the present invention;
FIG. 2 is a left side elevation view of a dual action sander according to the present invention;
FIG. 3 is a right side elevation view of a dual action sander according to the present invention;
FIG. 4 is a bottom view of a dual action sander according to the present invention;
FIG. 5 is a front elevation view of a dual action sander according to the present invention; and,
FIG. 6 is a rear elevation view of a dual action sander according to the present invention.
The structural features depicted by means of broken lines in the drawing figures have been shown for illustrative purposes only and form no part of the claimed design.

1 Claim, 3 Drawing Sheets

[56] References Cited

U.S. PATENT DOCUMENTS

D. 256,881	9/1980	Hutchins	D8/62
D. 260,847	9/1981	Biederman	D8/62
D. 324,800	3/1992	Butzen et al.	D8/62
D. 332,559	1/1993	Miyoshi et al.	D8/62
D. 344,878	3/1994	Izumisawa	D8/64
D. 353,310	12/1994	Izumisawa	D8/62
D. 353,311	12/1994	Izumisawa	D8/62
D. 357,163	4/1995	Izumisawa	D8/62
D. 377,892	2/1997	Sung	D8/62
D. 381,570	7/1997	Sung	D8/62
D. 385,765	11/1997	Sung	D8/62
D. 386,377	11/1997	Sung	D8/62
3,287,859	11/1966	Leveque	51/120
3,496,680	2/1970	Hutchins	451/344
3,546,822	12/1970	Hutchins	51/170
3,857,206	12/1974	Heffran, Jr.	51/170
4,102,083	7/1978	Stern	51/170



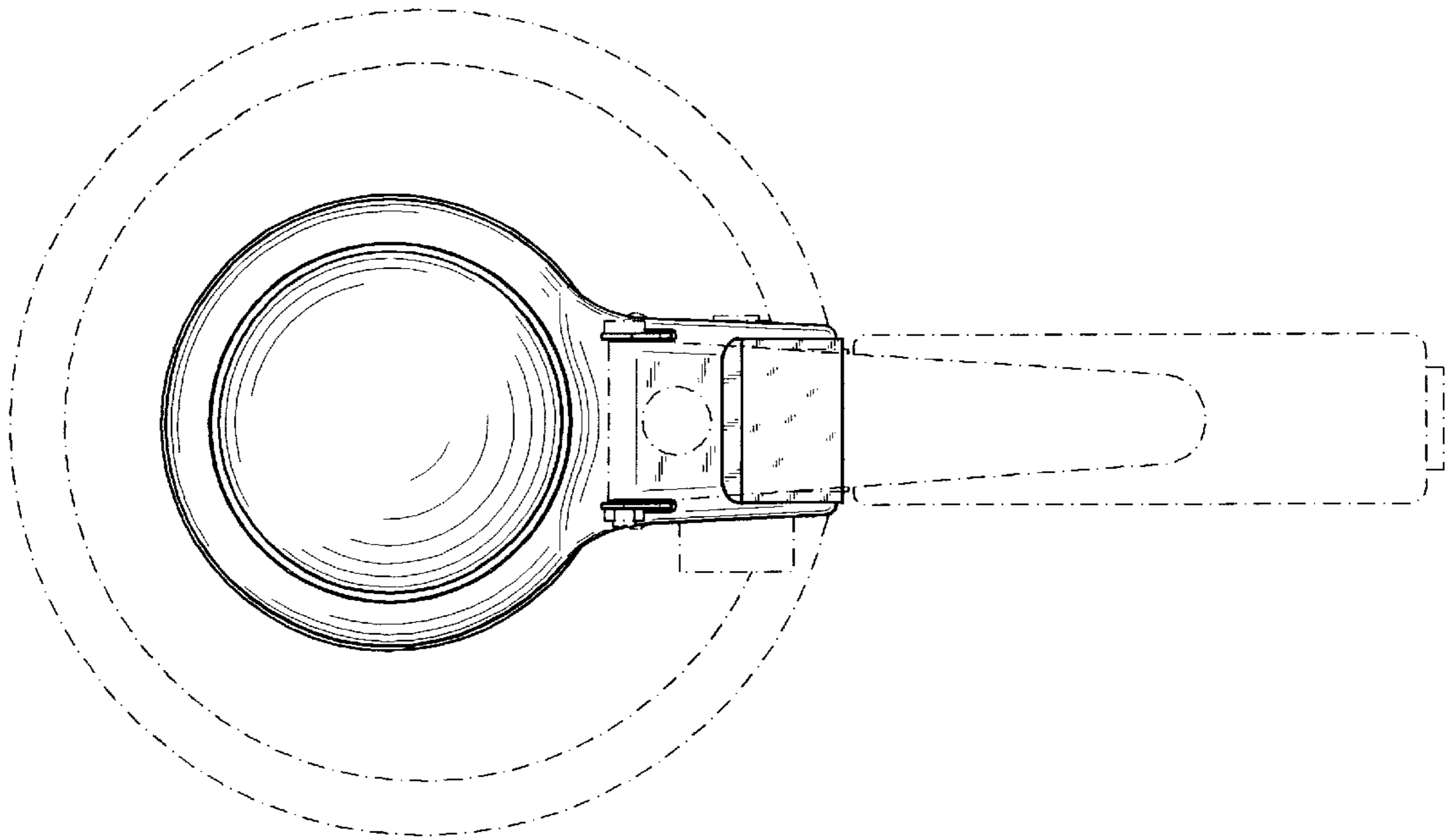


FIG. 1

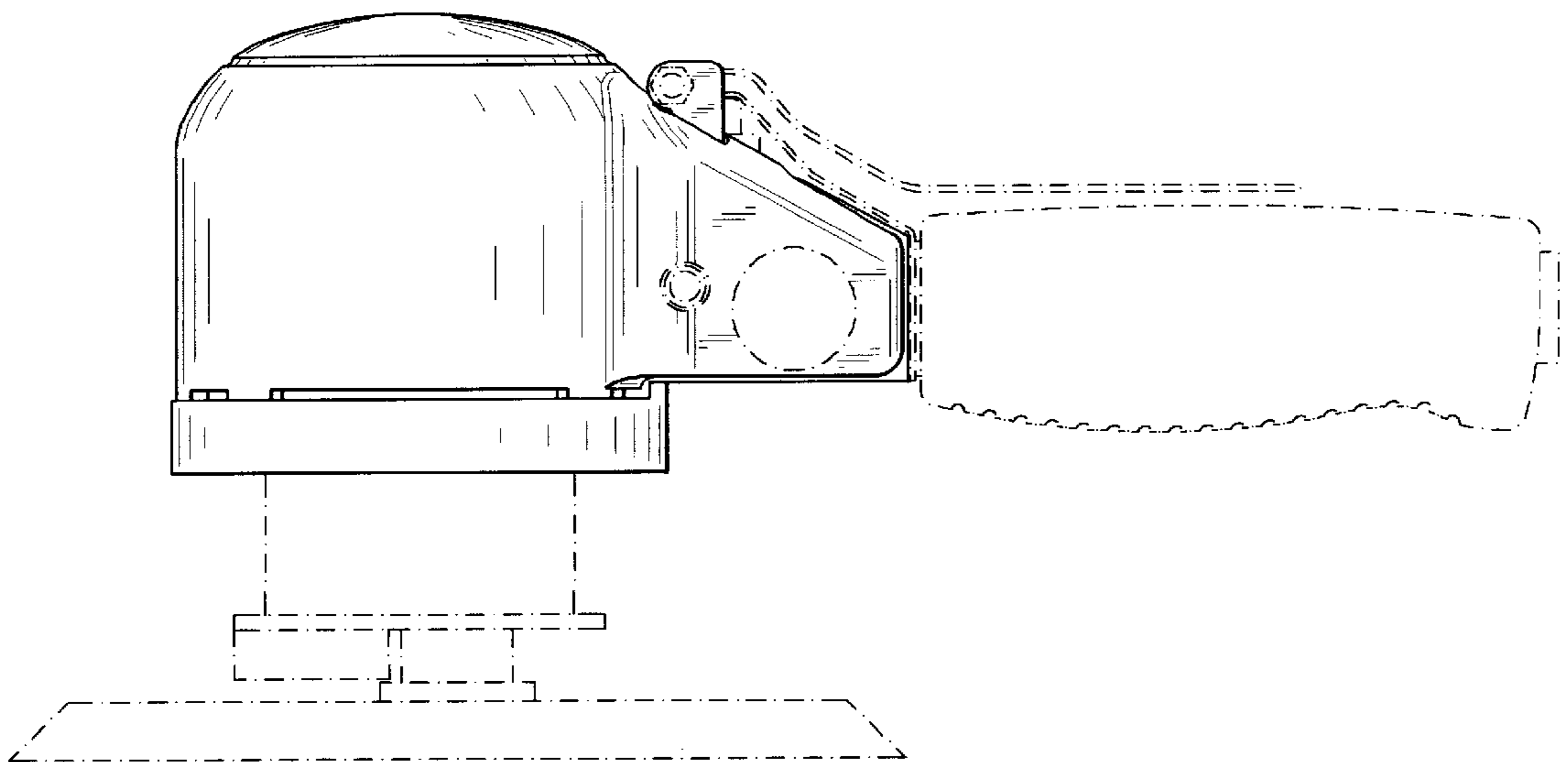


FIG. 2

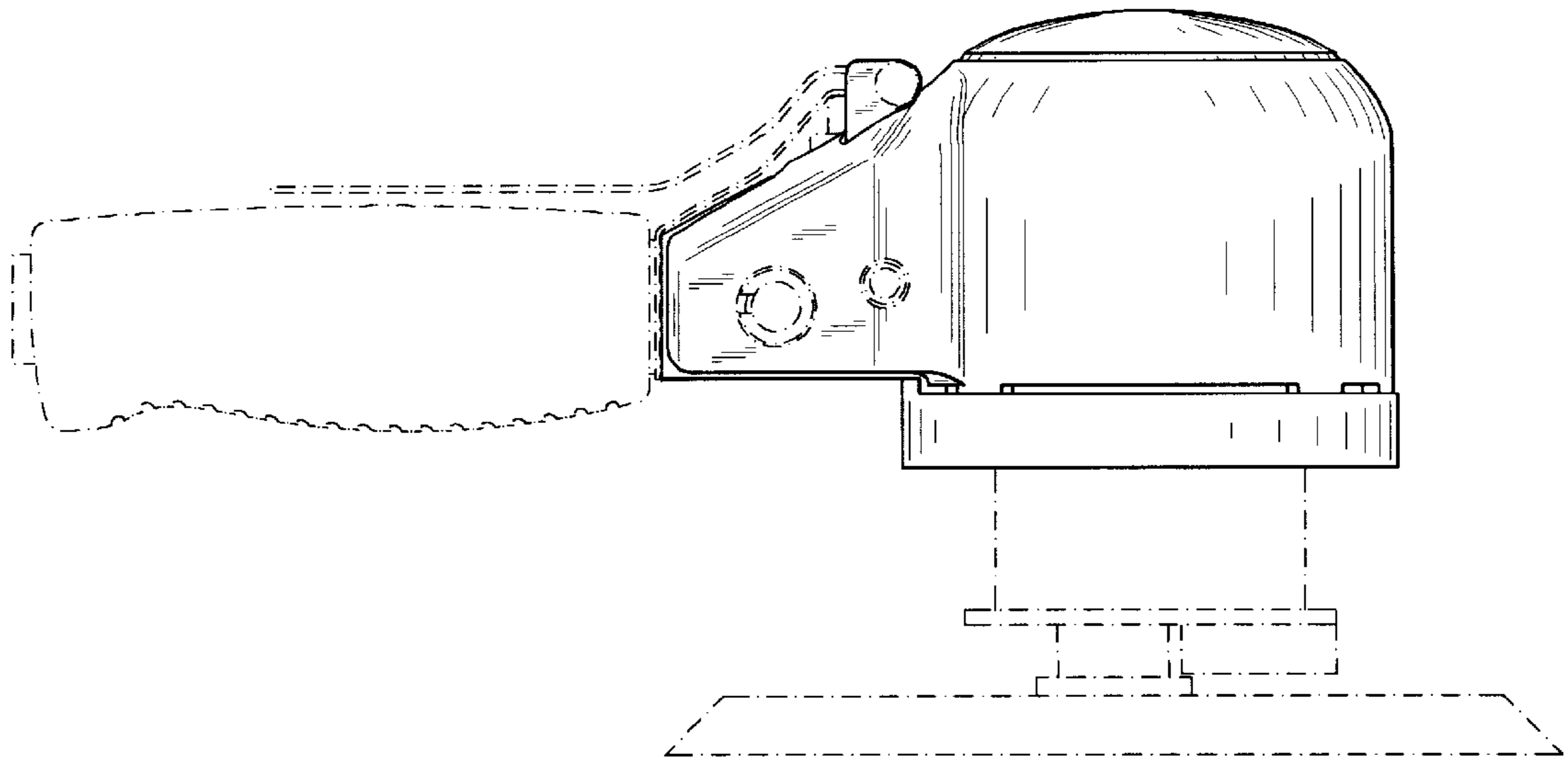


FIG. 3

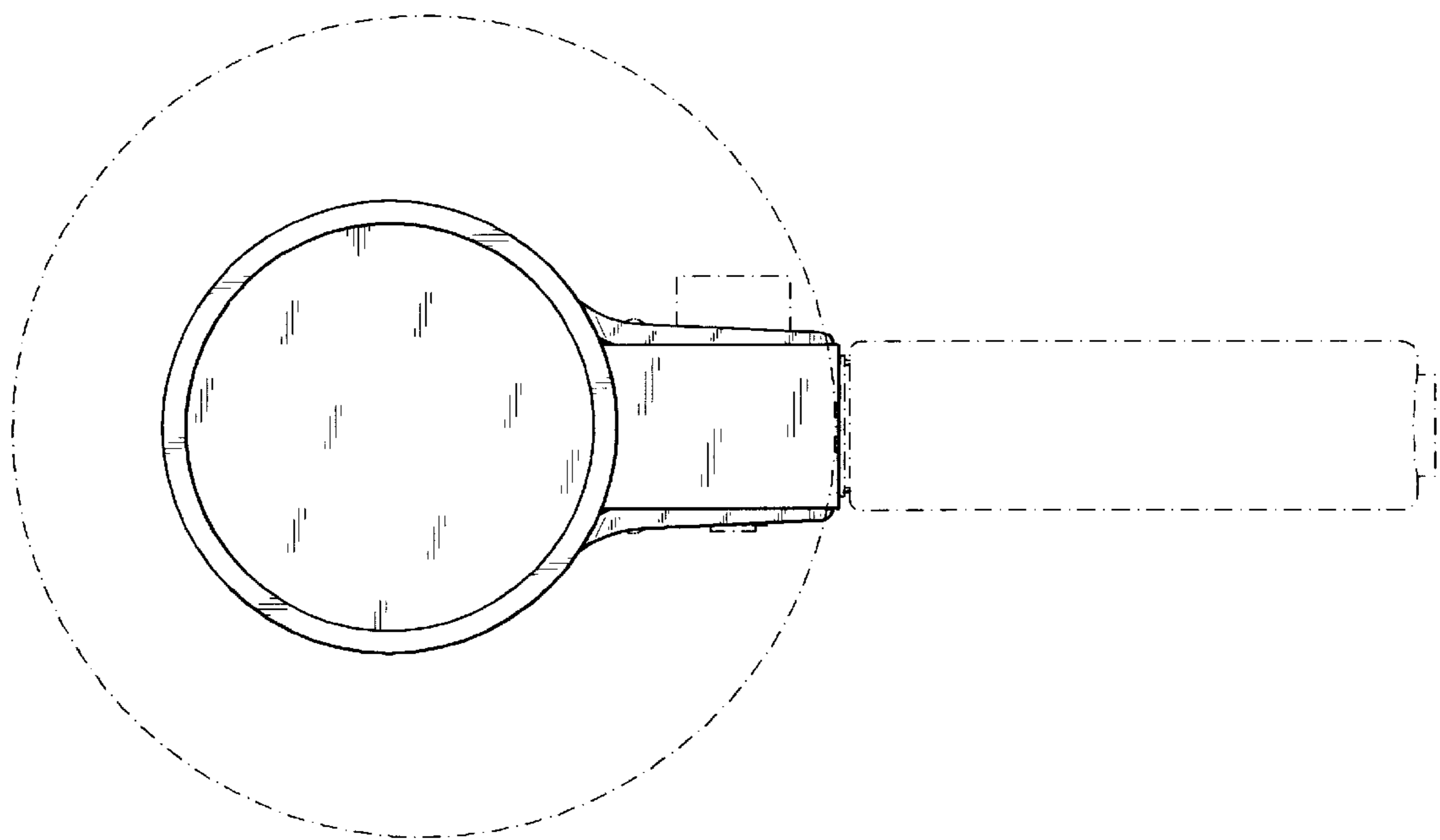


FIG. 4

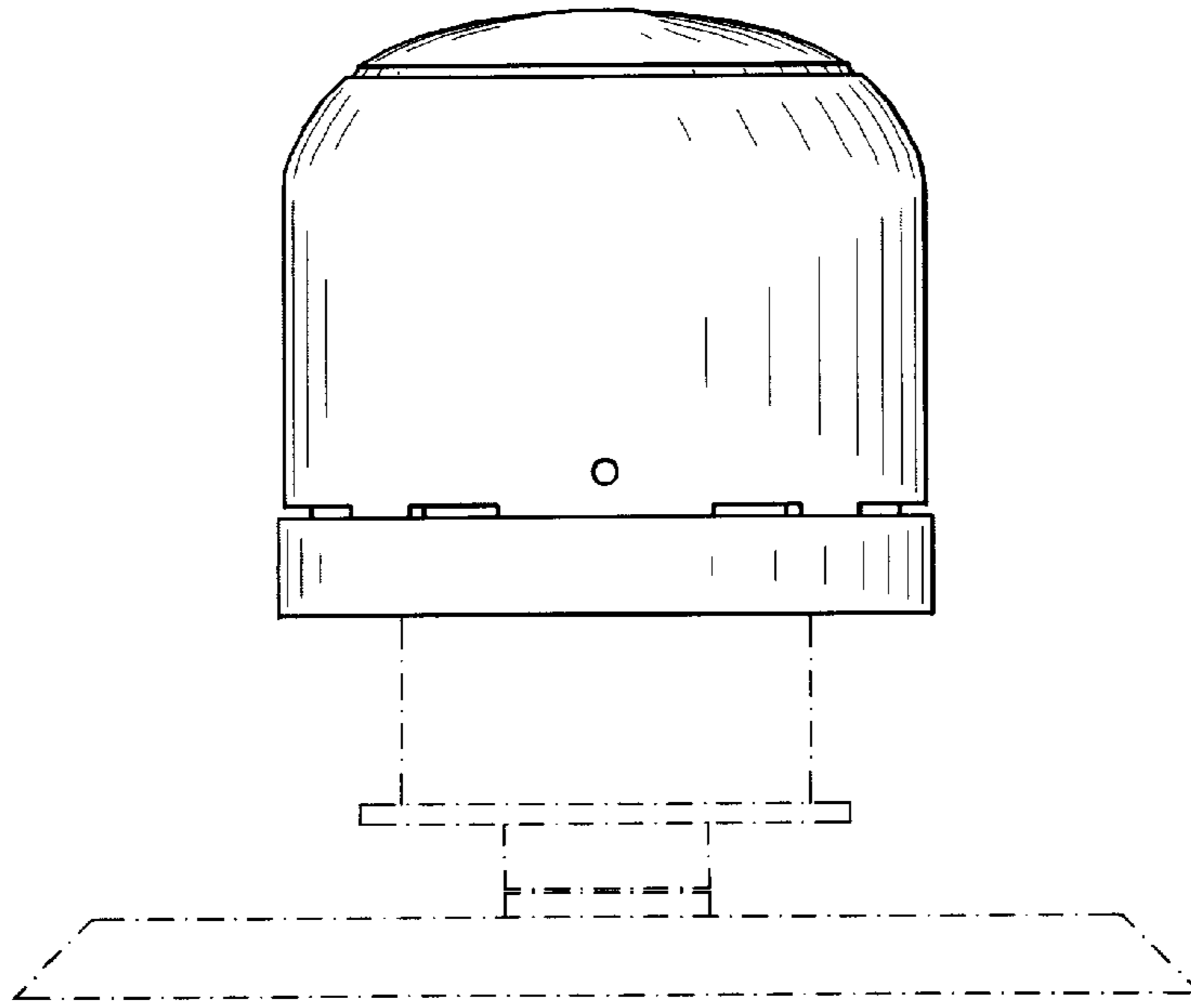


FIG. 5

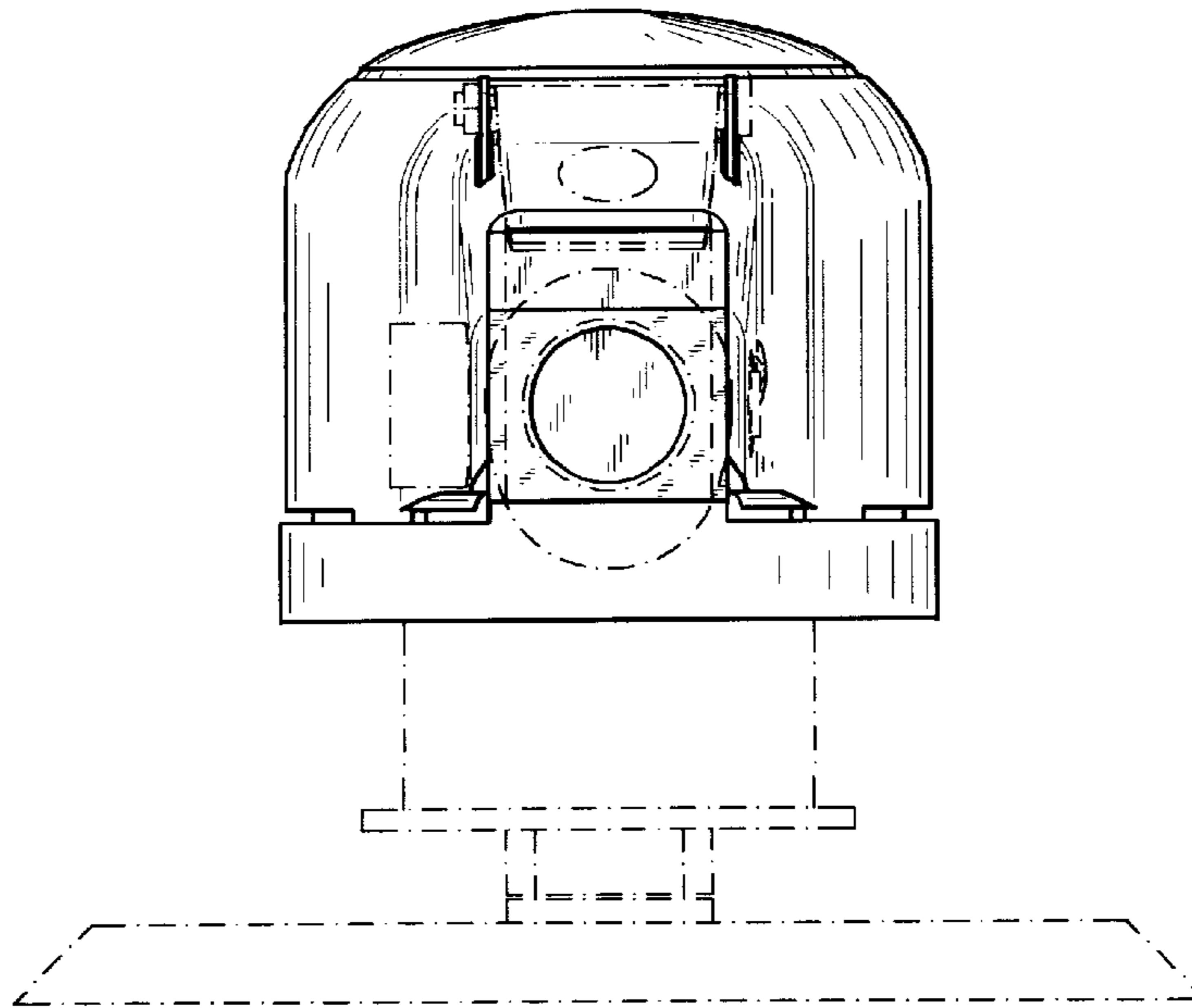


FIG. 6