



US00D427496S

United States Patent [19] Berg

[11] **Patent Number: Des. 427,496**

[45] **Date of Patent: ** Jul. 4, 2000**

[54] **FRONT PART OF A PAIR OF JAWS FOR PLIERS**

[75] Inventor: **Howard G. Berg**, Gresham, Oreg.

[73] Assignee: **Leatherman Tool Group, Inc.**,
Portland, Oreg.

[**] Term: **14 Years**

[21] Appl. No.: **29/113,356**

[22] Filed: **Nov. 2, 1999**

[51] **LOC (7) Cl.** **08-05**

[52] **U.S. Cl.** **D8/52**

[58] **Field of Search** D8/51, 52, 55,
D8/58, 105; 81/385, 405, 407-409, 411,
415-418, 427.5; 7/125

[56] **References Cited**

U.S. PATENT DOCUMENTS

D. 260,476	9/1981	Knaus	D8/55
D. 367,807	3/1996	Hung	D8/105
D. 385,170	10/1997	Rivera	D8/52
D. 414,393	9/1999	Berg et al.	D8/55
4,044,413	8/1977	Tucker et al.	7/3
4,546,680	10/1985	Petersen	81/418
4,793,224	12/1988	Huang	81/385
5,503,049	4/1996	Chervenak et al.	81/427.5
5,745,997	5/1998	Berg et al.	30/155
6,019,020	2/2000	Liou	81/407

Primary Examiner—Alan P. Douglas

Assistant Examiner—Reid Hecker

Attorney, Agent, or Firm—Chernoff, Vilhauer, McClung & Stenzel, LLP

[57] **CLAIM**

The ornamental design for the front part of a pair of jaws for pliers, as shown and described.

DESCRIPTION

FIG. 1 is an isometric view from the upper right front of the front part of a pair of jaws for pliers, showing my new design, in a closed position, wherein the broken line illustrations of the rearward portions of the jaws and of a pivot joint are included for illustrative purposes and form no part of the claimed design;

FIG. 2 is an isometric view from the upper right front of the front part of a pair of jaws for pliers shown in FIG. 1, in an opened position, wherein the broken line illustrations of the rear portions of the jaws and of a pivot joint are included for illustrative purposes and form no part of the claimed design;

FIG. 3 is a right side elevational view of the front part of a pair of jaws for pliers shown in FIG. 1 except for omission of the broken line illustration of the pivot joint, the left side elevational view thereof being a mirror image thereof;

FIG. 4 is a top plan view thereof, the bottom plan view thereof being a mirror image thereof;

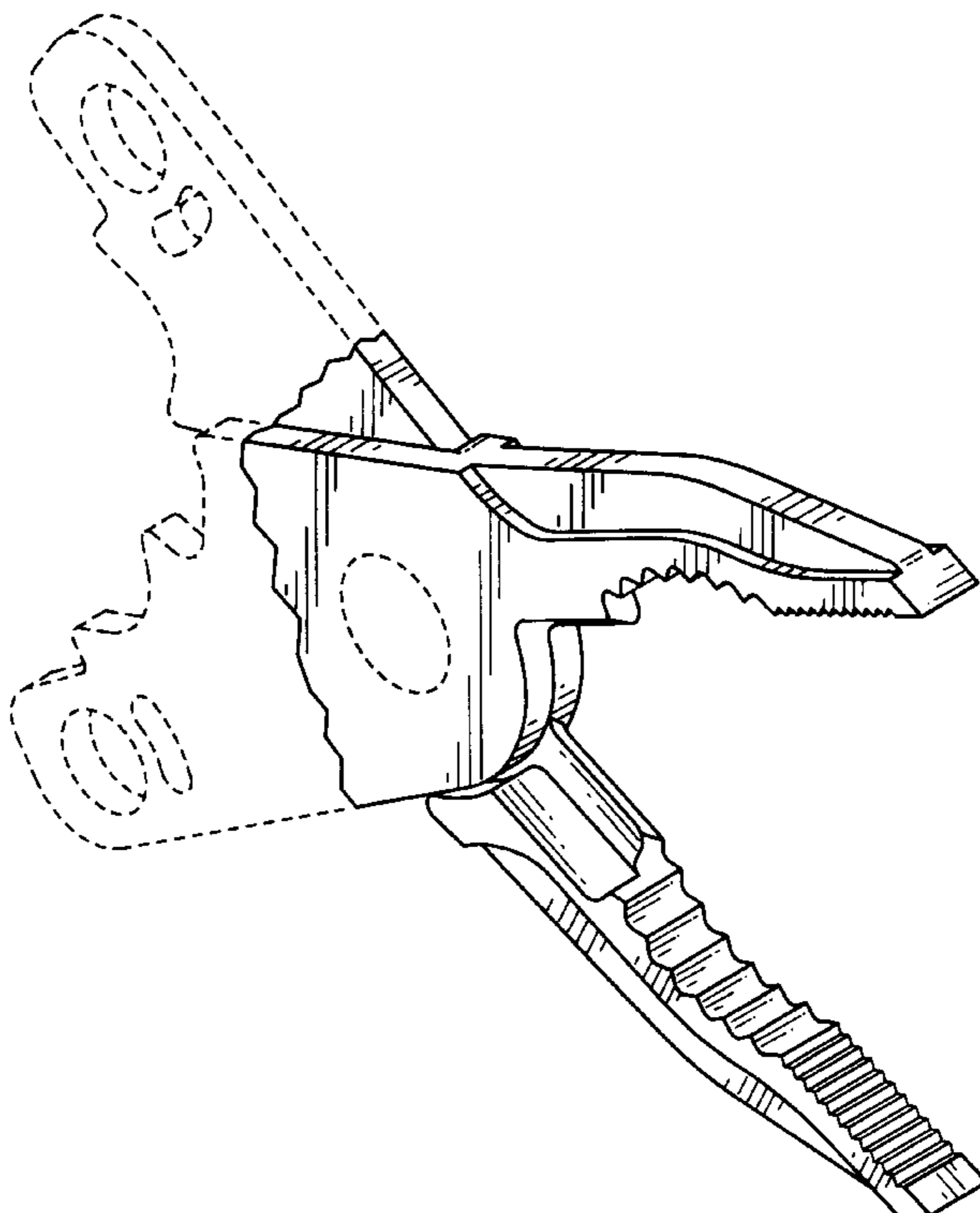
FIG. 5 is a rear end elevational view thereof;

FIG. 6 is a front end elevational view thereof;

FIG. 7 is a isometric view thereof similar to FIG. 1 except for omission of the broken line illustration of the pivot joint, wherein the broken line illustration of the rearward portions of the jaws is included for illustrative purposes and forms no part of the design; and,

FIG. 8 is a isometric view similar thereof to FIG. 2, except for the omission of the broken line illustration of the pivot joint, wherein the broken line illustration of the rearward portions of the jaws is included for illustrative purposes and forms no part of the design.

1 Claim, 3 Drawing Sheets



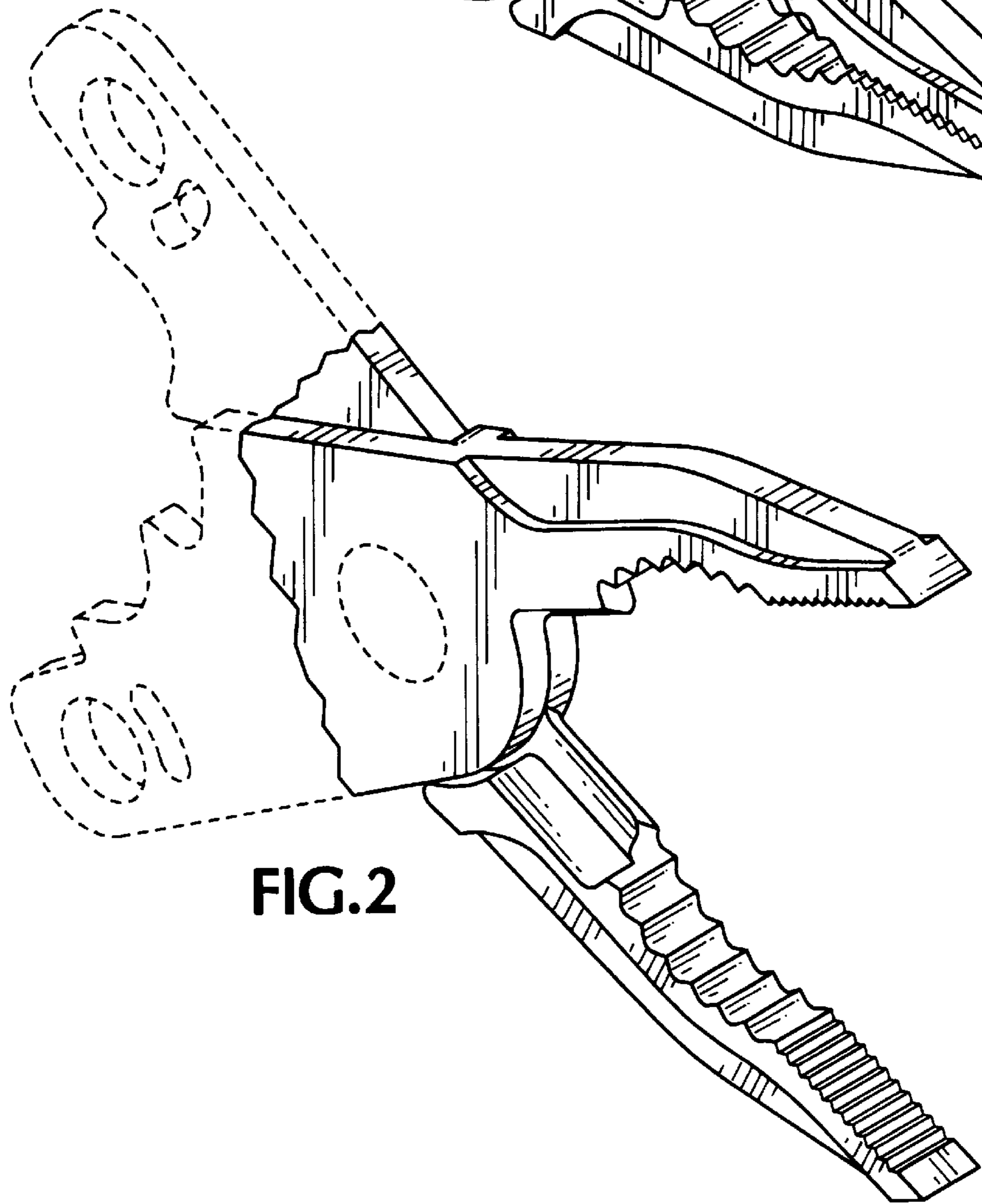
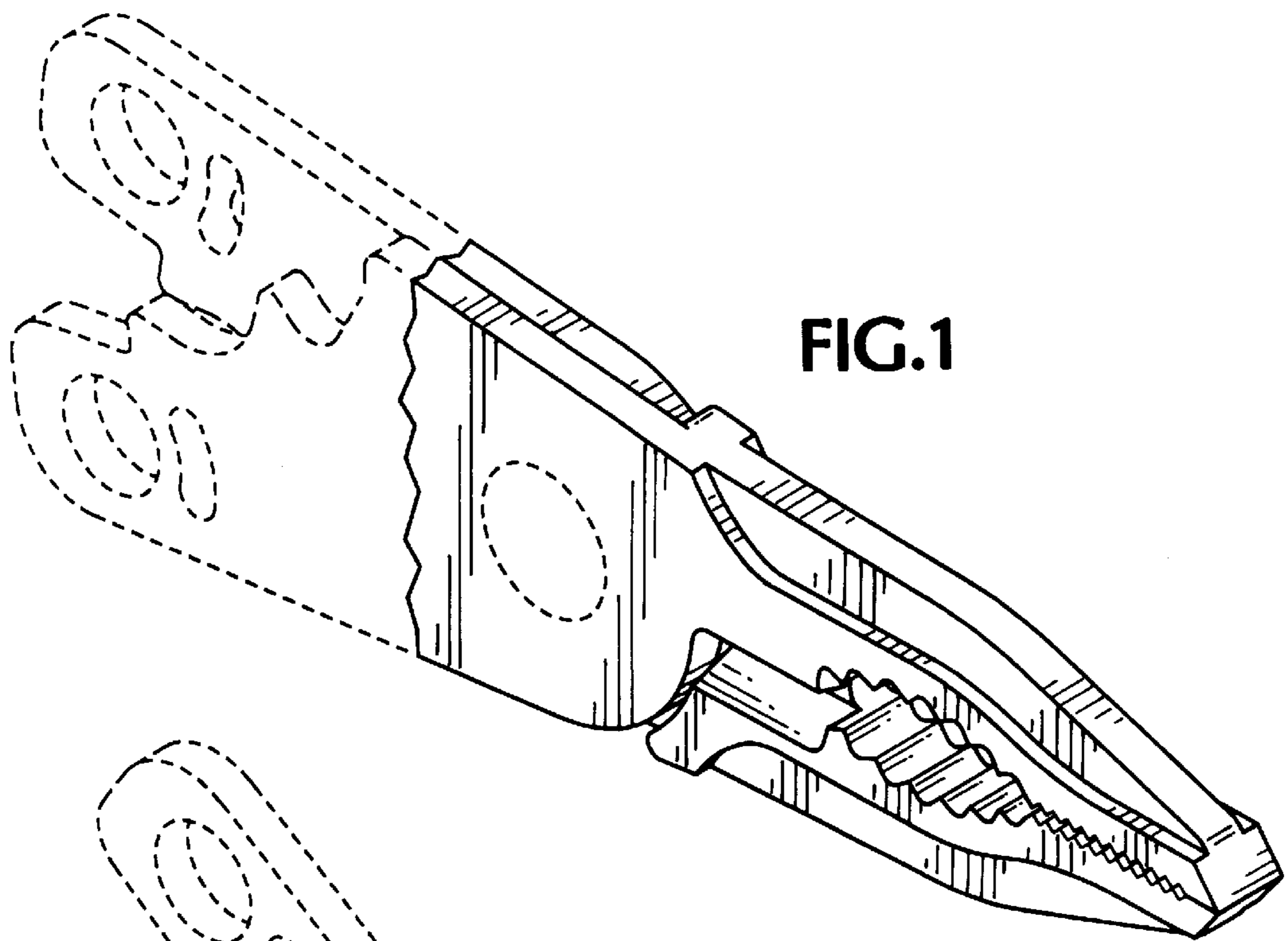




FIG. 4



FIG. 6

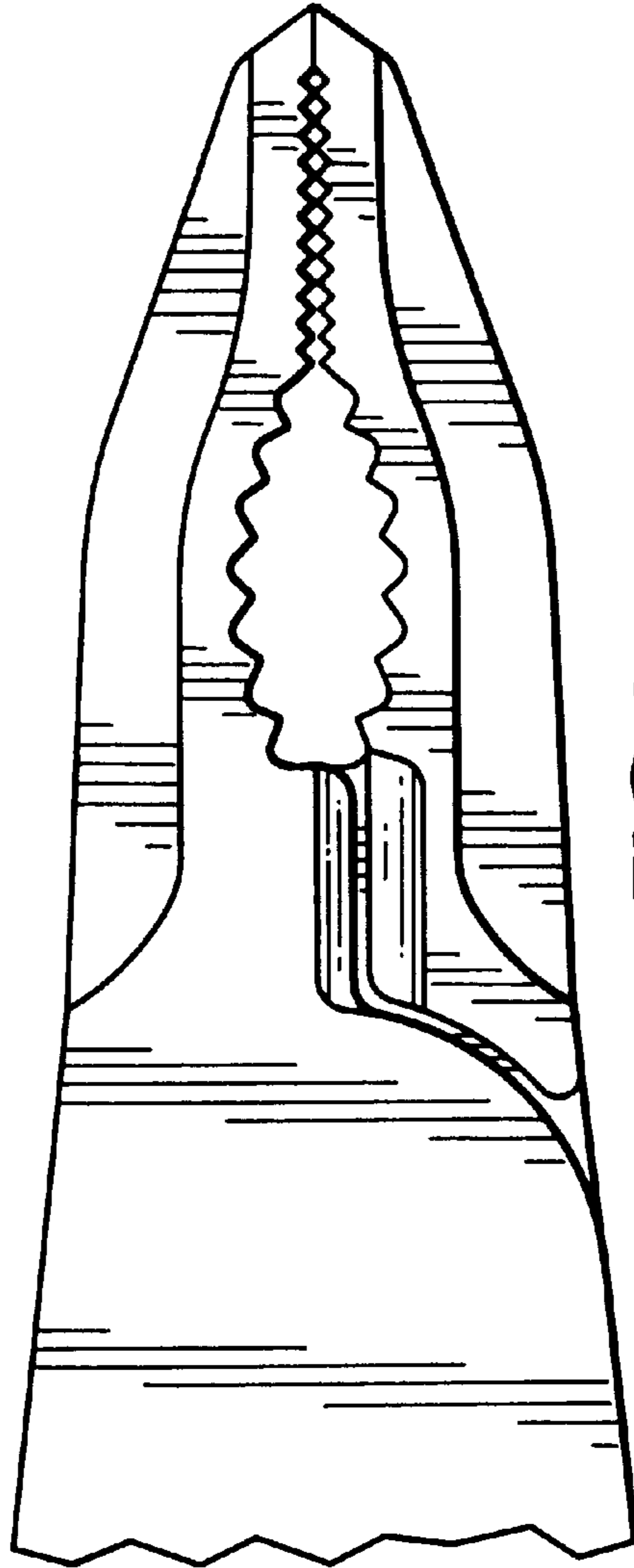


FIG. 3

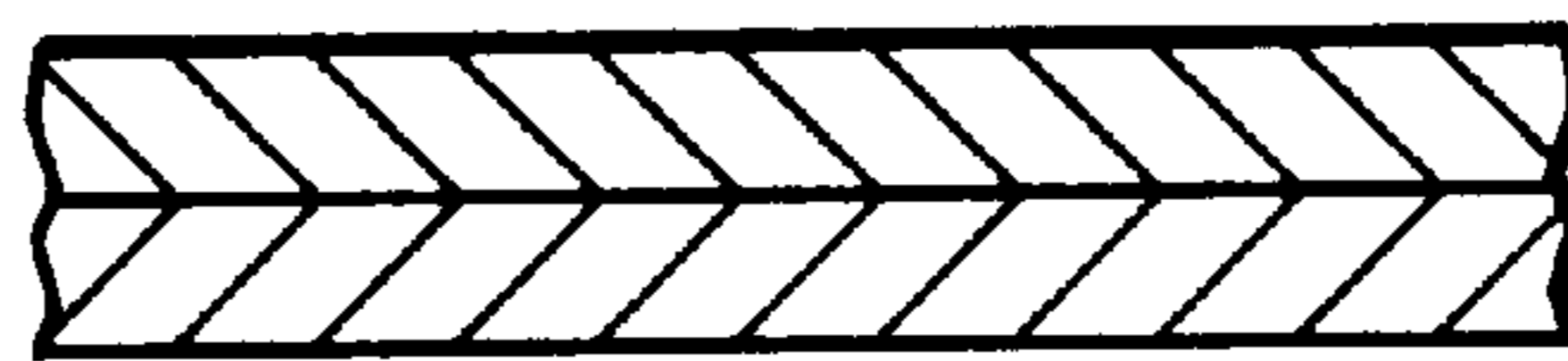
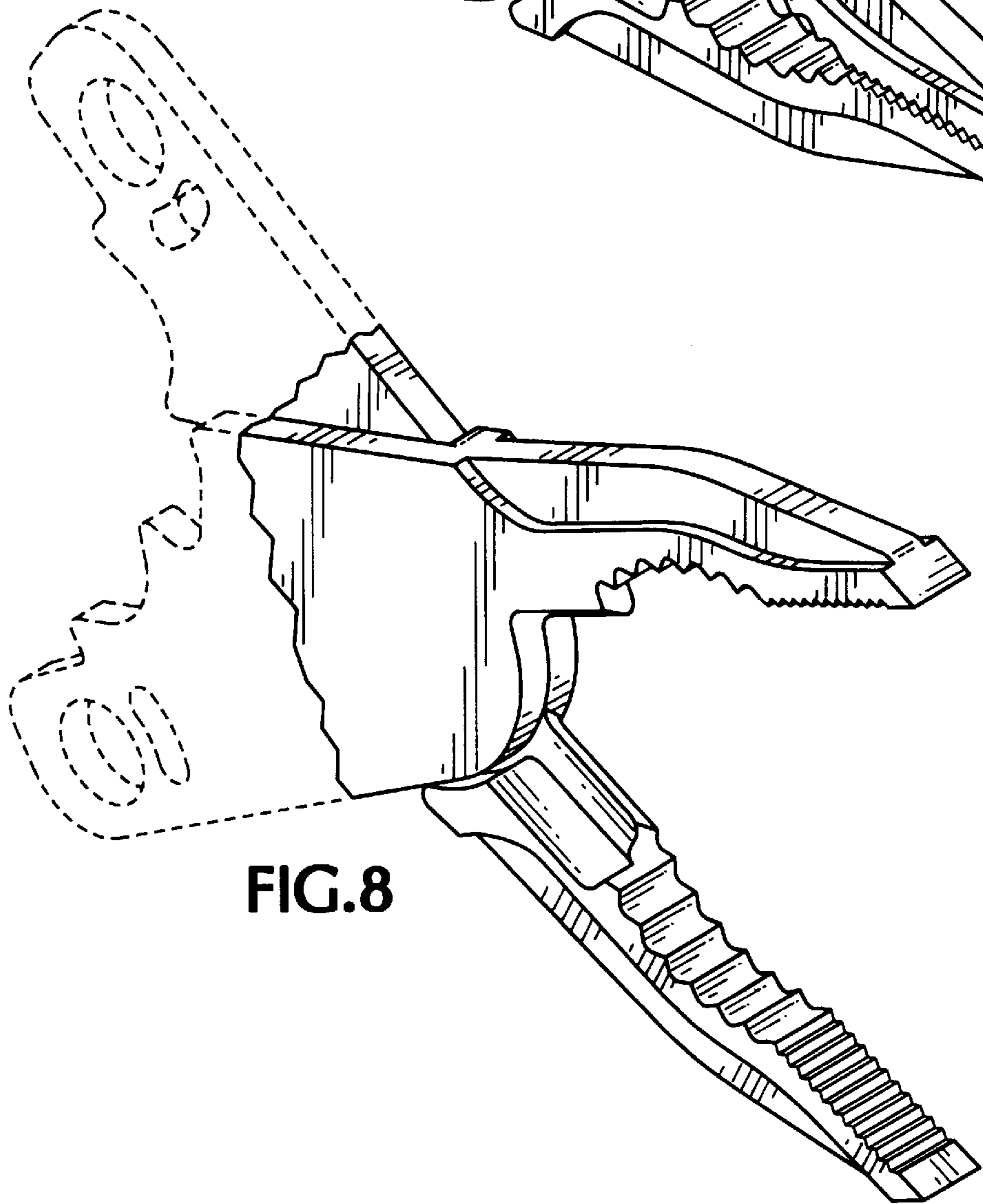
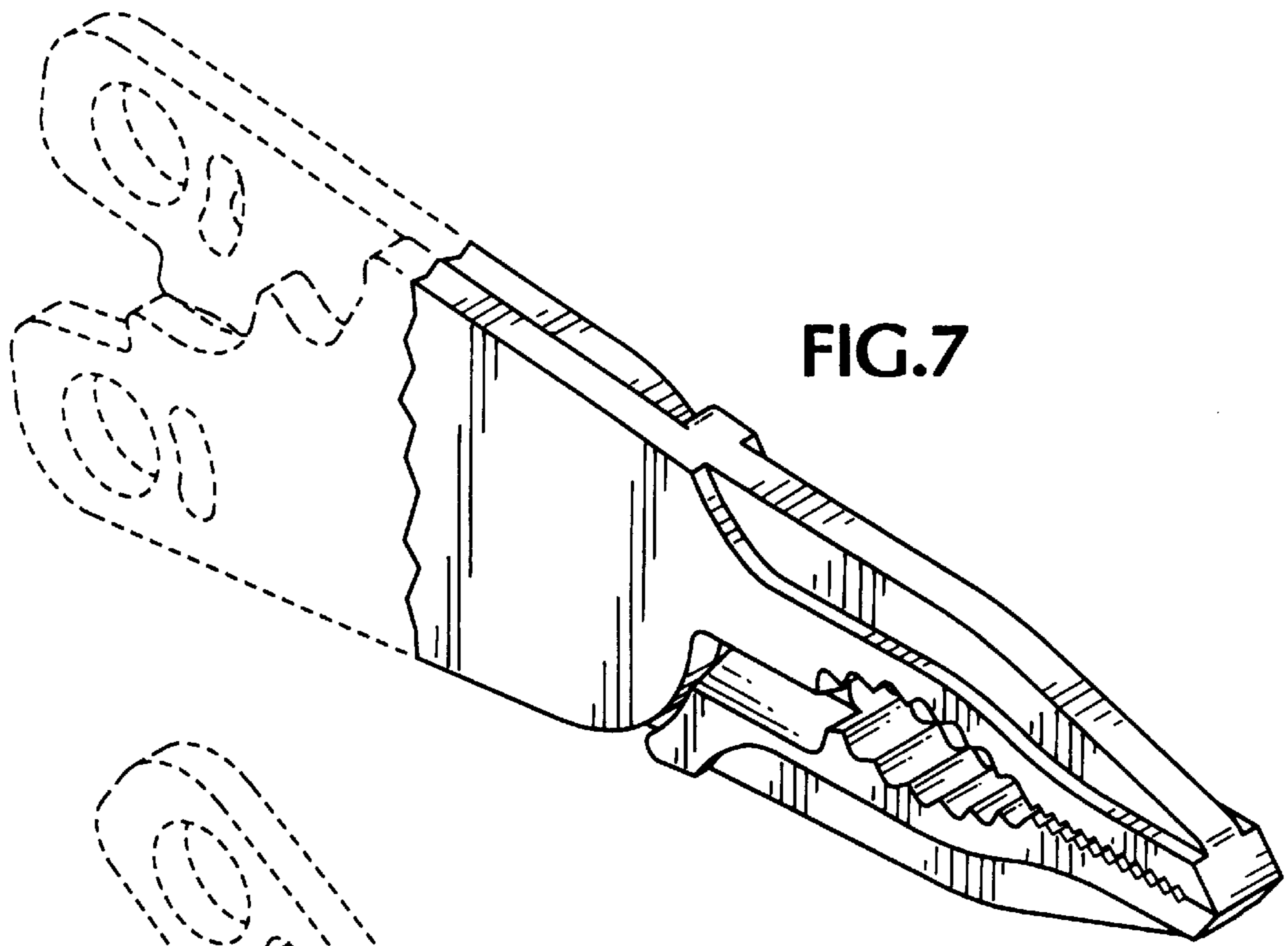


FIG. 5



UNITED STATES PATENT AND TRADEMARK OFFICE
CERTIFICATE OF CORRECTION

PATENT NO. : Des 427,496
DATED : July 4, 2000
INVENTOR(S) : Berg

Page 1 of 3

It is certified that error appears in the above-identified patent and that said Letters Patent is hereby corrected as shown below:

Please substitute the following for the descriptions of FIGS. 3, 4, 5, 6, 7, and 8 as printed in the patent:

-- FIG. 3 is a right side elevational view of the front part of a pair of jaws for pliers shown in FIG. 1, except for omission of the broken line illustration of the pivot joint;
FIG. 4 is a top plan view thereof;
FIG. 5 is a rear end elevational view thereof;
FIG. 6 is a front end elevational view thereof;

FIG. 7 is a bottom plan view thereof;
FIG. 8 is a left side elevational view thereof;
FIG. 9 is an isometric view thereof similar to FIG. 1 except for omission of the broken line illustration of the rearward portions of the jaws is included for illustrative purposes and forms no part of the design; and
FIG. 10 is an isometric view thereof similar to FIG. 2, except for the omission of the broken line illustration of the pivot joint, wherein the broken line illustration of the rearward portions of the jaws is included for illustrative purposes and forms no part of the design. --

Signed and Sealed this

Twenty-second Day of January, 2002

Attest:



Attesting Officer

JAMES E. ROGAN
Director of the United States Patent and Trademark Office

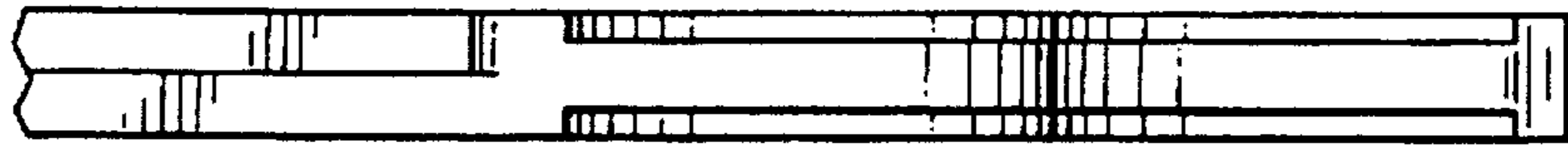


FIG. 4



FIG. 5

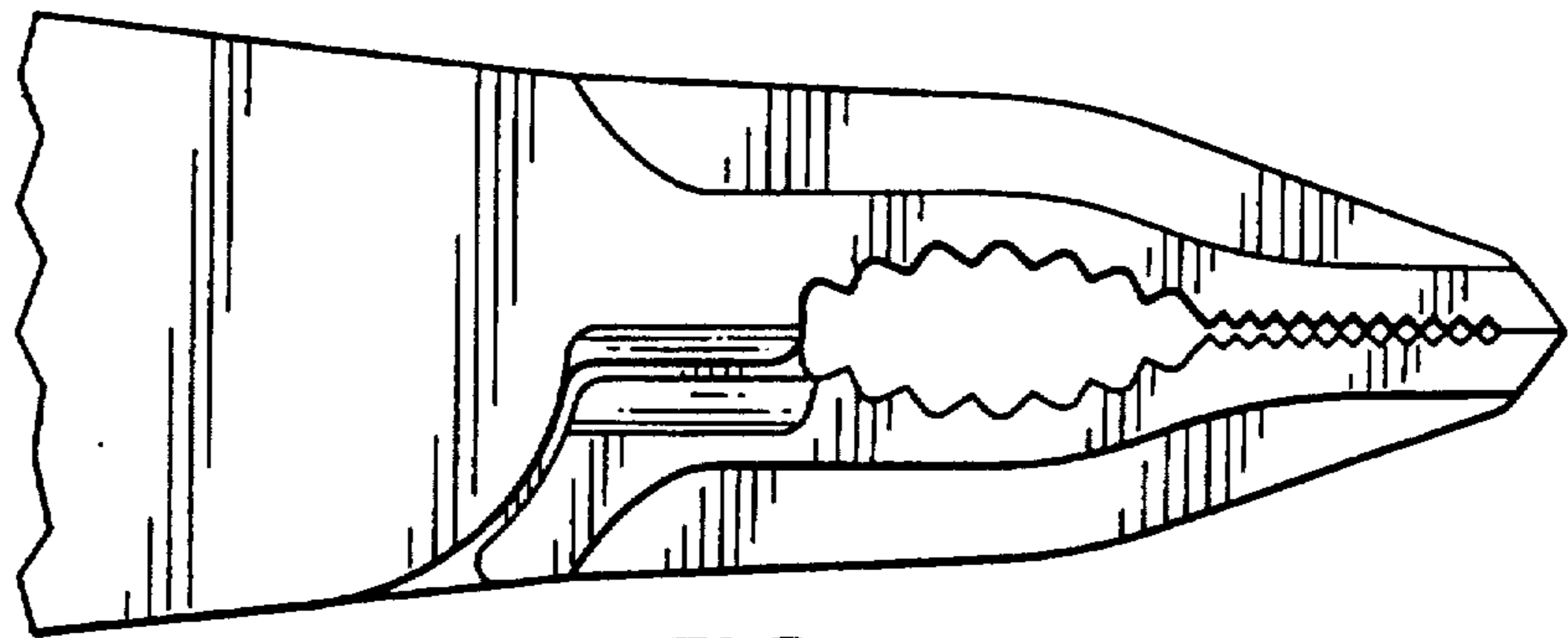


FIG. 3

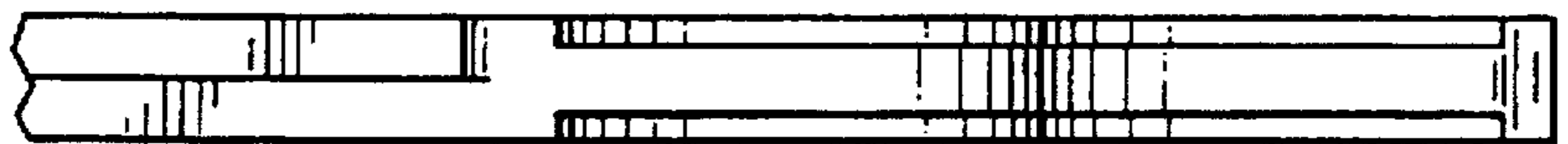


FIG. 7



FIG. 6

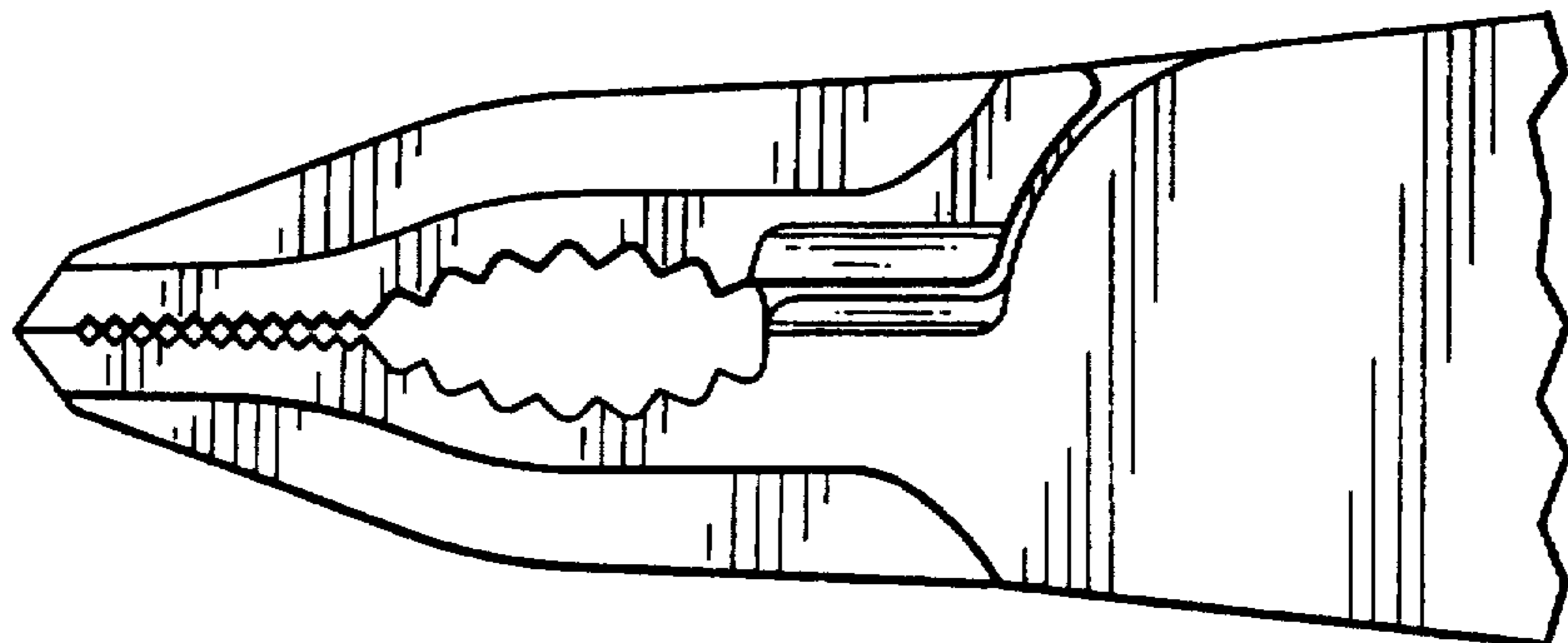


FIG. 8

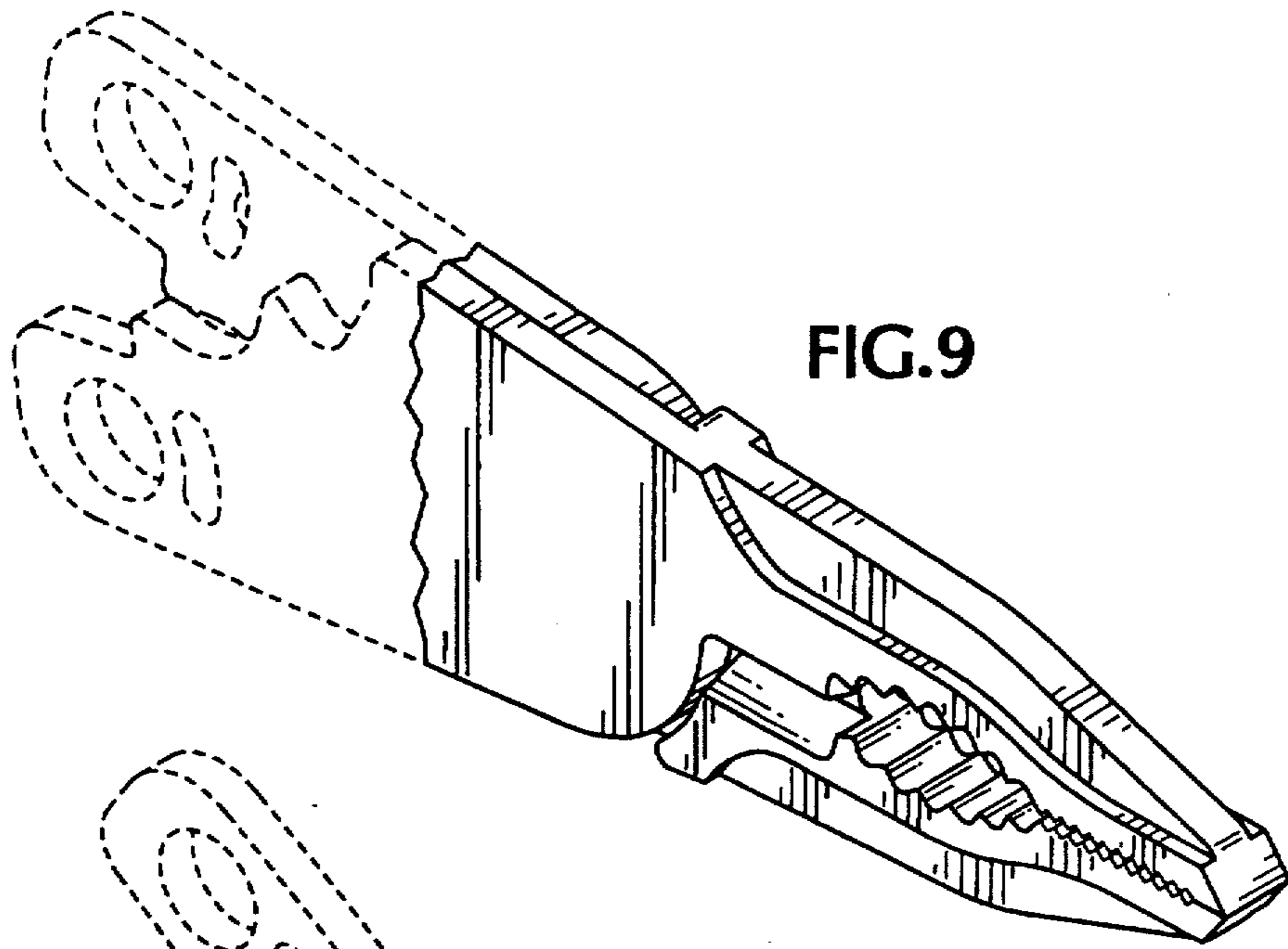


FIG. 9

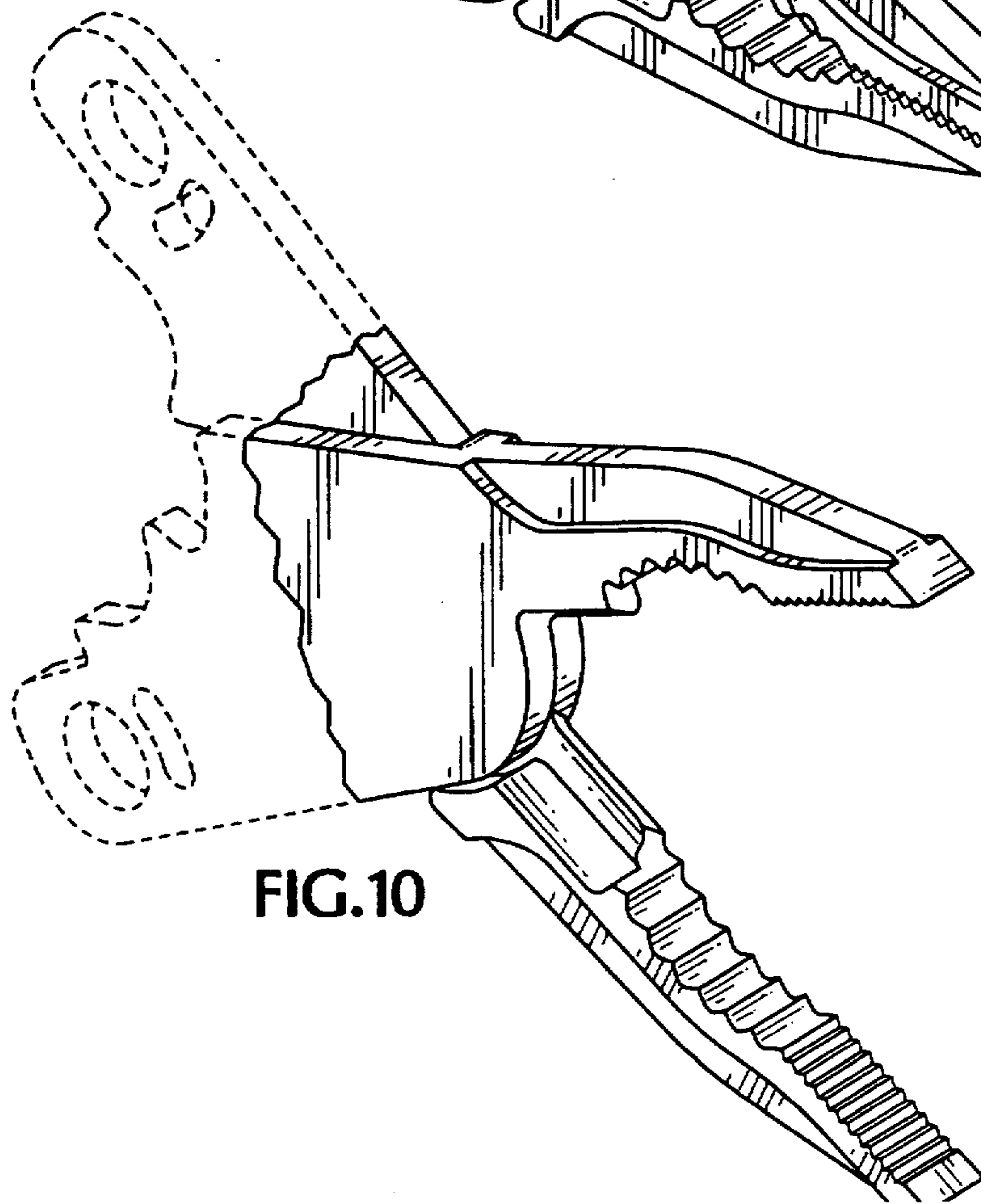


FIG. 10