



US00D427495S

United States Patent [19]

Lee, Jr.

[11] **Patent Number: Des. 427,495**

[45] **Date of Patent: ** Jul. 4, 2000**

[54] **LAWN AND GARDEN WEEDER**

2,537,365 1/1951 Montavon 294/55.5

[76] Inventor: **William Lee, Jr.**, 70 Fuller Rd.,
Trumbull, Conn. 06611

Primary Examiner—Robin V. Taylor
Attorney, Agent, or Firm—John R. Doherty

[**] Term: **14 Years**

[57] **CLAIM**

[21] Appl. No.: **29/111,856**

The ornamental design for a lawn and garden weeder, as shown and described.

[22] Filed: **Oct. 4, 1999**

DESCRIPTION

[51] **LOC (7) Cl.** **08-01**

[52] **U.S. Cl.** **D8/13**

[58] **Field of Search** D8/1, 10, 13, 7,
D8/8; 294/49, 50, 51, 55.5; 56/400.21,
400.19

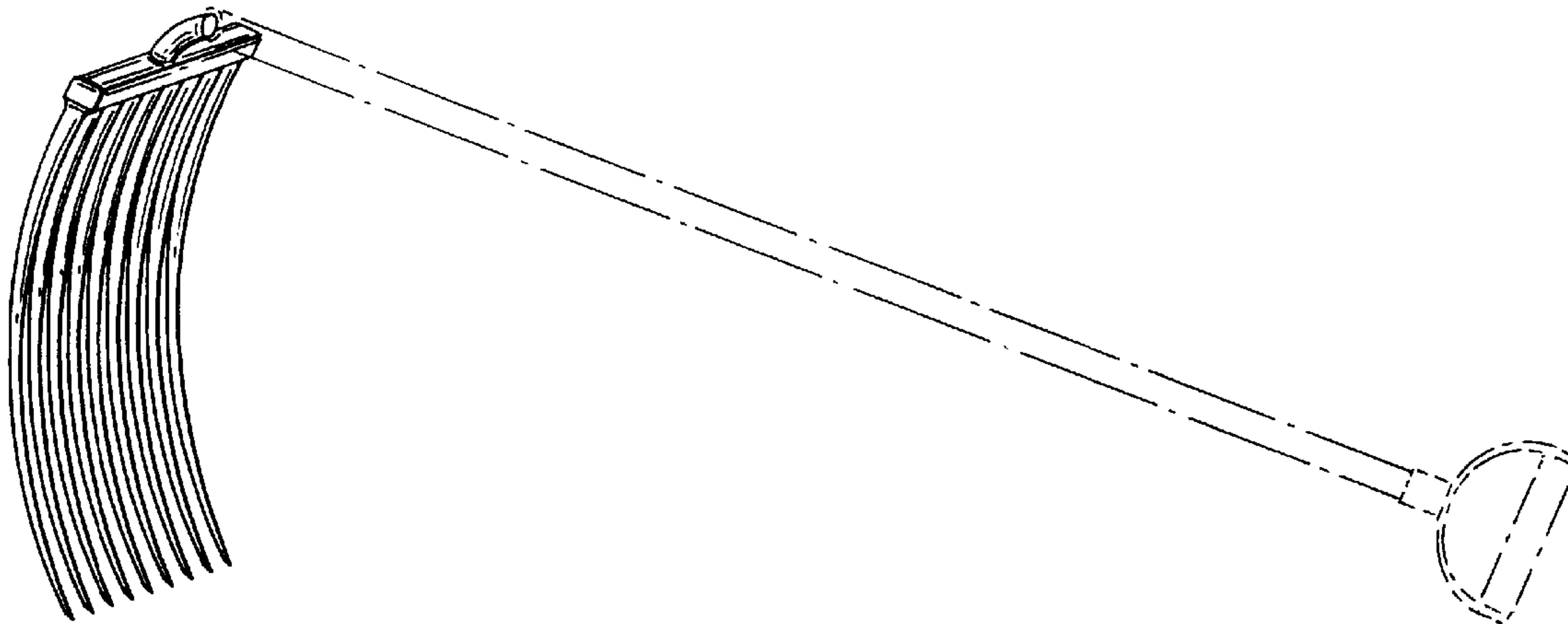
FIG. 1 is a perspective view of a lawn and garden weeder showing my new design, with the broken line included for illustrative purposes forming no part of the claimed design; FIG. 2 is a top view of the lawn and garden weeder; FIG. 3 is a rear view of the lawn and garden weeder; FIG. 4 is a right side view of the lawn and garden weeder, the left side of the weeder being a mirror image of the right side thereof; FIG. 5 is a front view of the lawn and garden weeder; FIG. 6 is a bottom view of the lawn and garden weeder; and, FIG. 7 is an enlarged view of the weeder taken along the line 7—7 in FIG. 3.

[56] **References Cited**

U.S. PATENT DOCUMENTS

D. 51,327	10/1917	Bredle	D8/13
D. 223,743	6/1972	Vaughan et al.	D8/13
D. 292,261	10/1987	Mitton	D8/13
D. 407,956	4/1999	Withem et al.	D8/13
526,109	9/1894	Kreitz	294/55.5

1 Claim, 3 Drawing Sheets



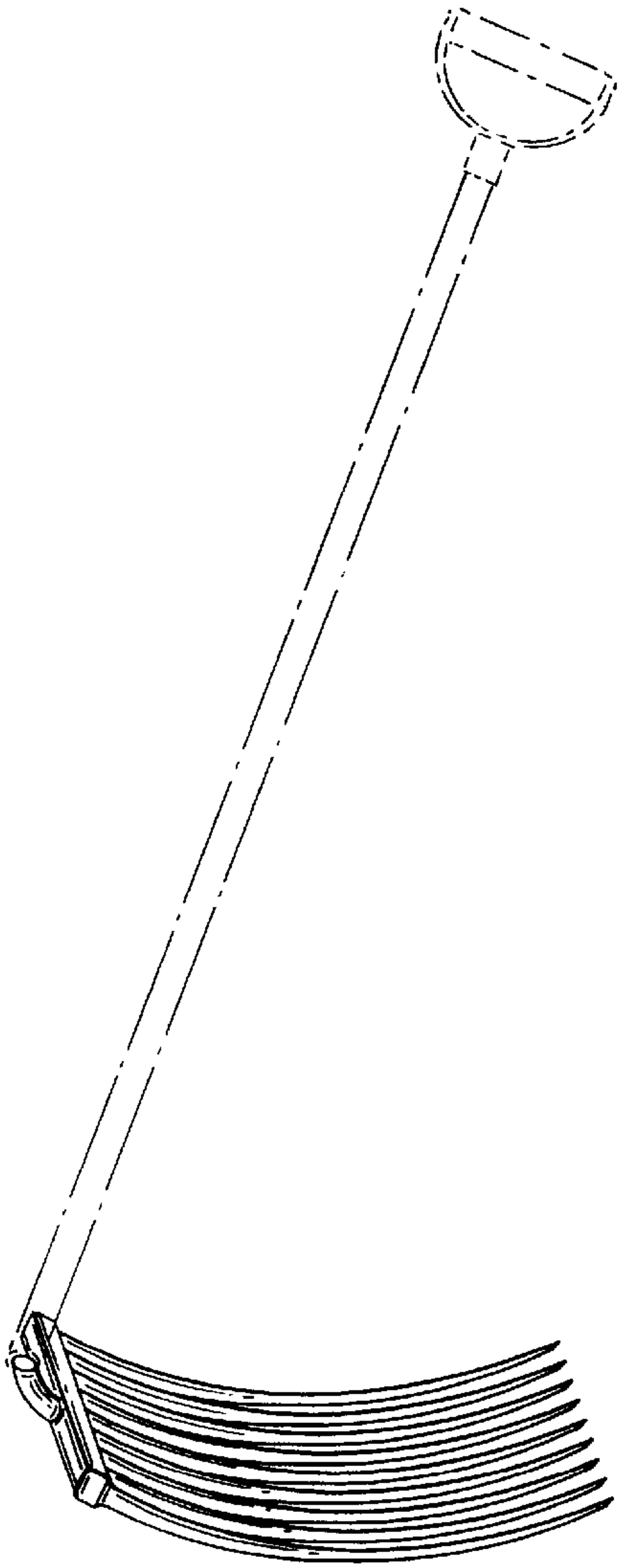


FIG. 1

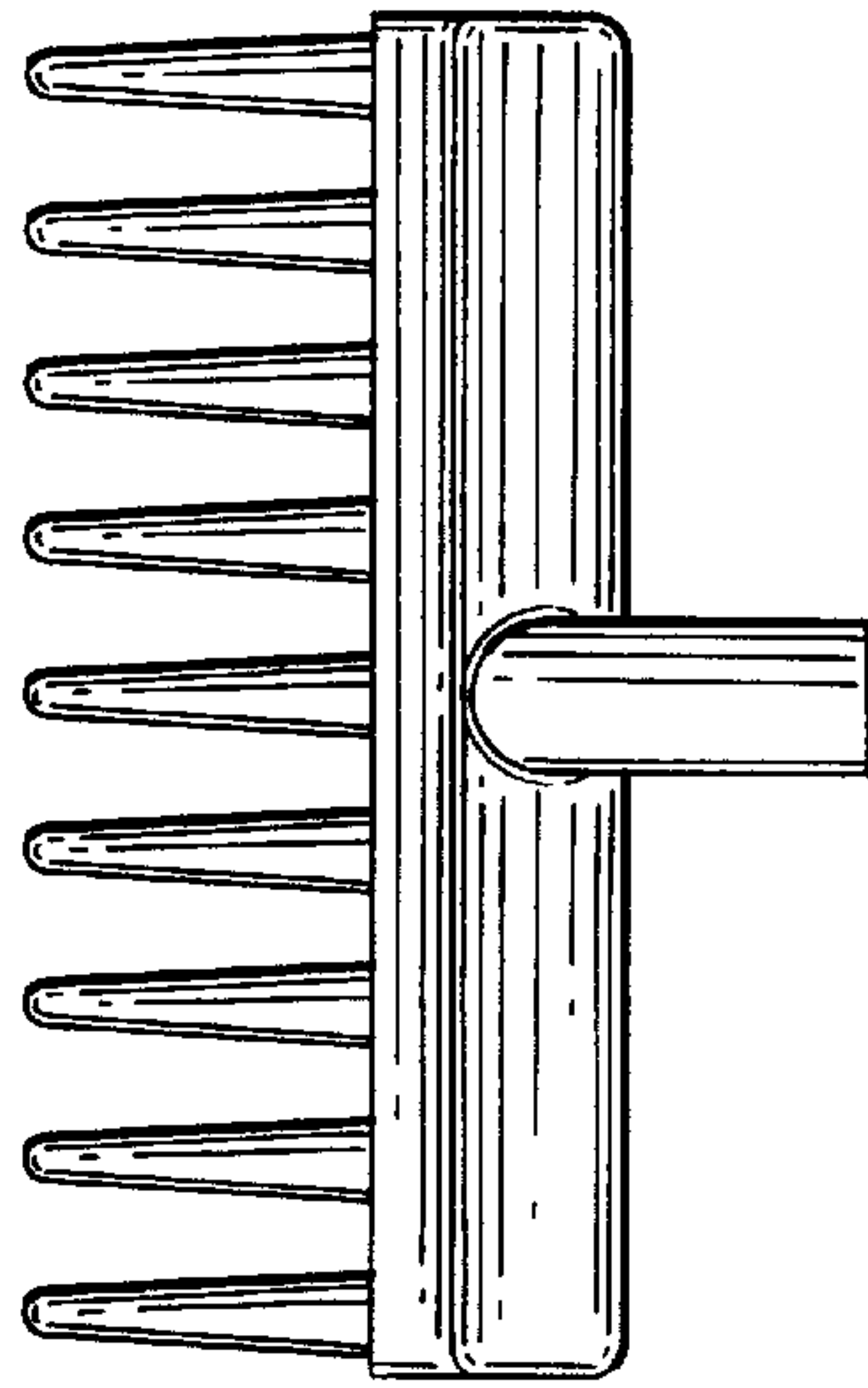


FIG. 2

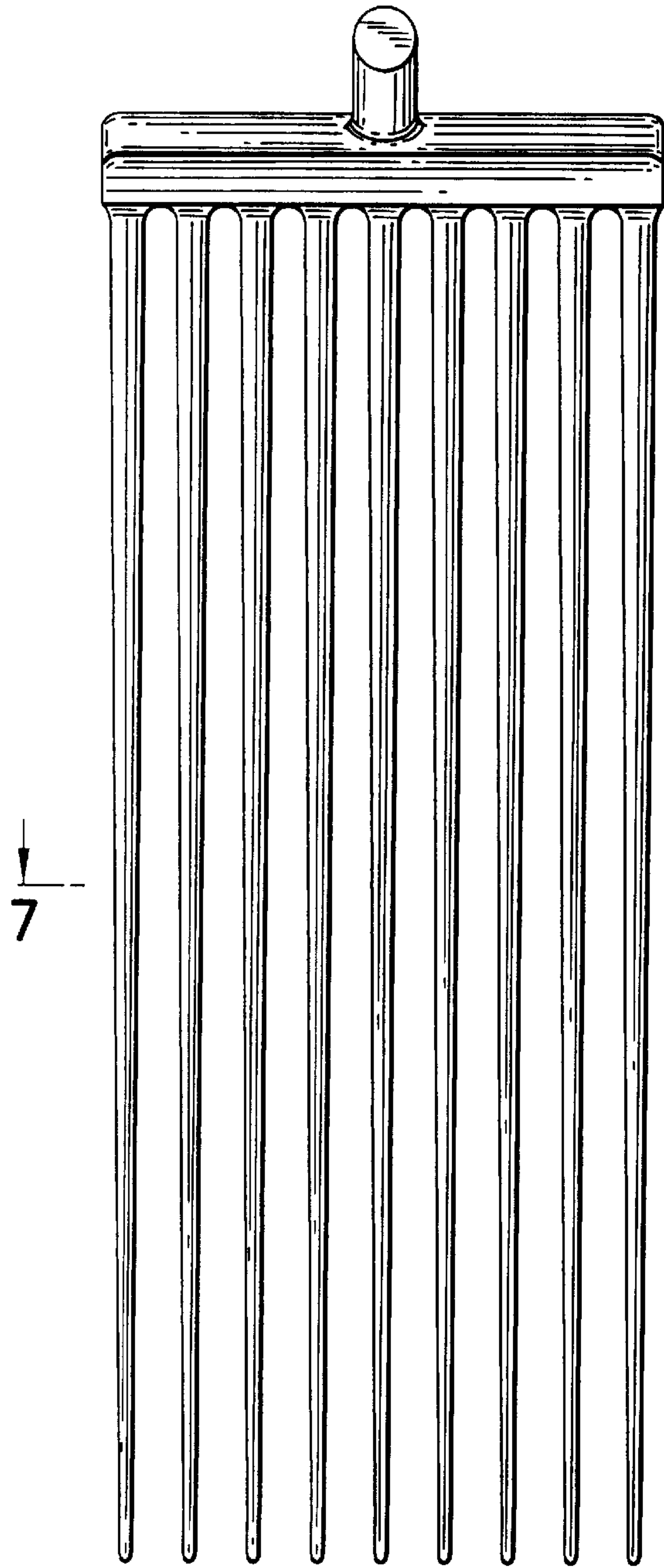


FIG. 3

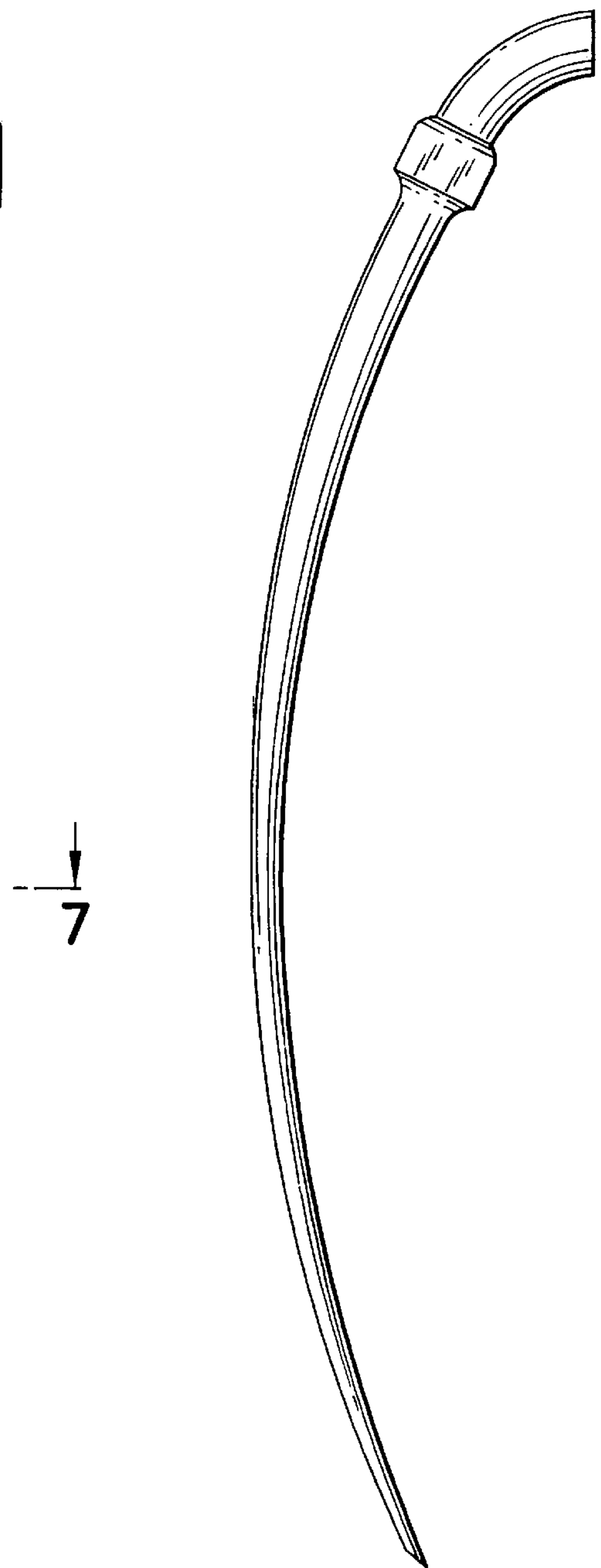


FIG. 4

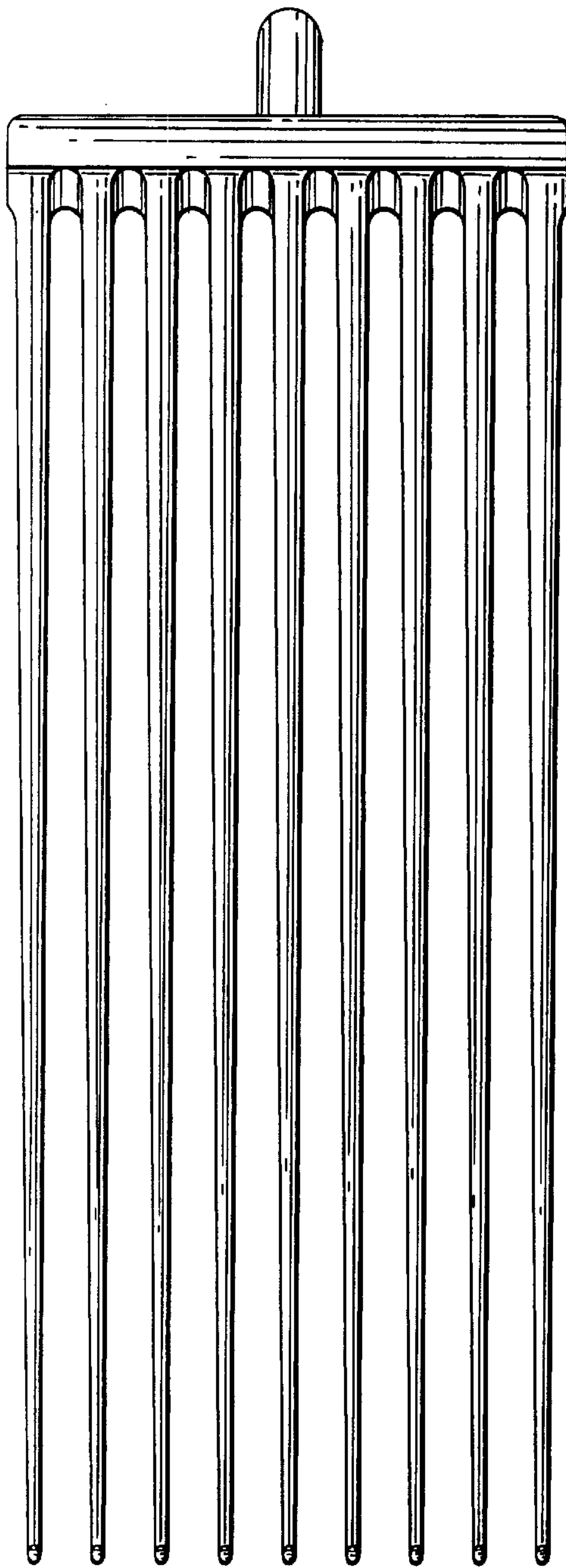


FIG. 5

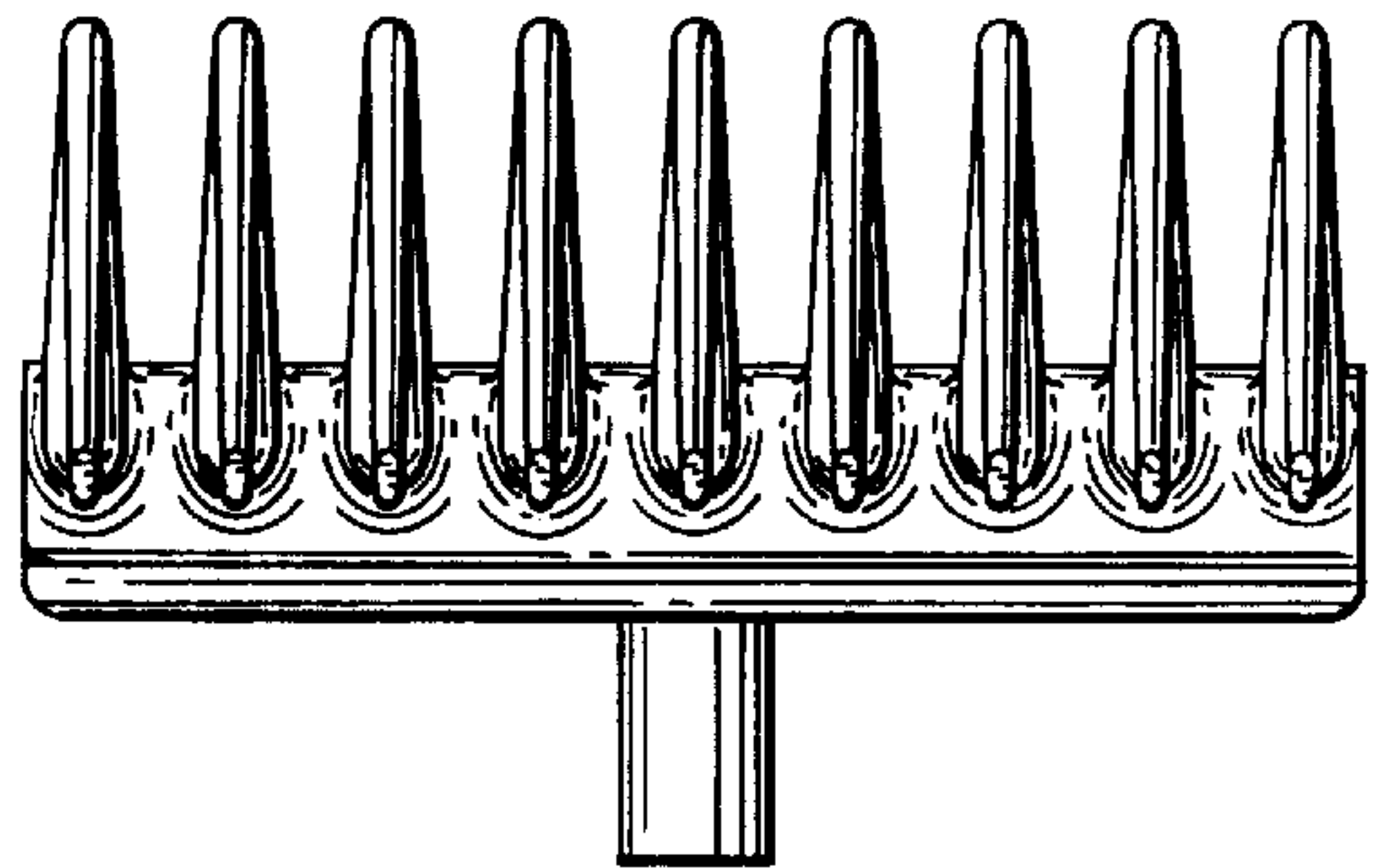


FIG. 6

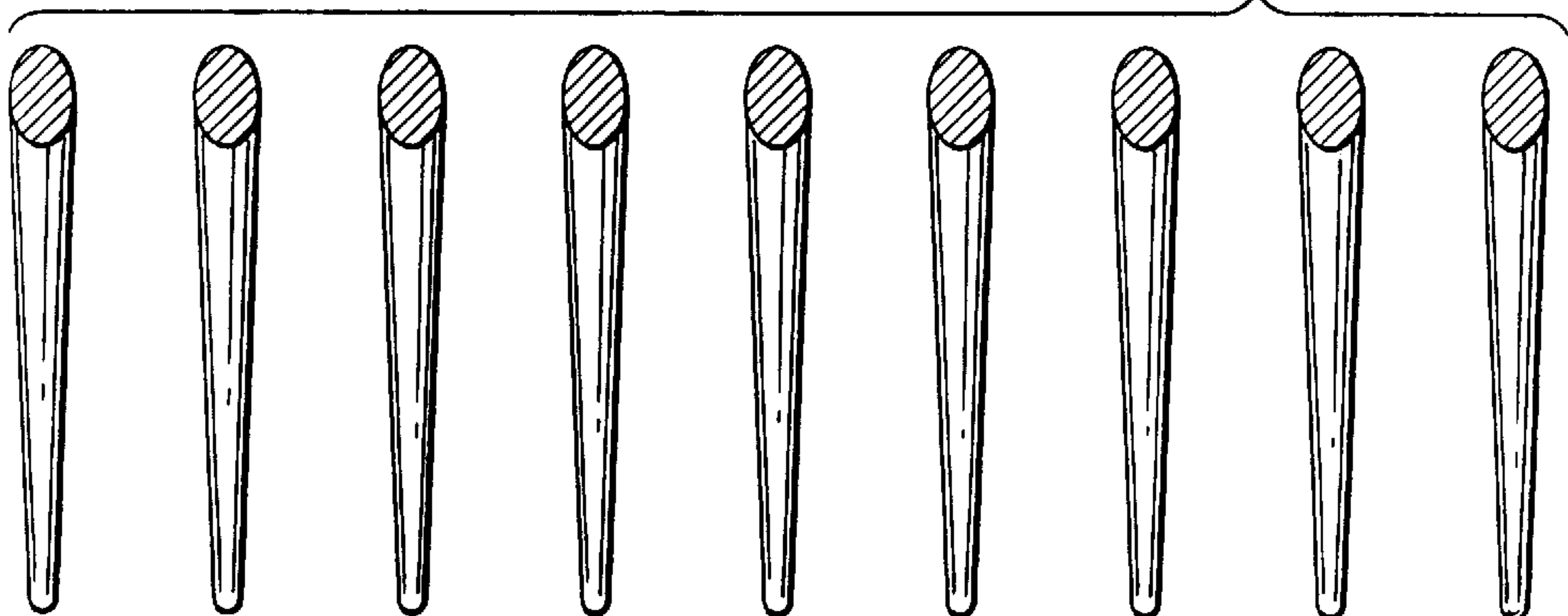


FIG. 7