



US00D427494S

United States Patent [19]
Yacobi

[11] **Patent Number: Des. 427,494**

[45] **Date of Patent: ** Jul. 4, 2000**

[54] **HANDLE SHAFT FOR A GARDEN OR SNOW TOOL**

[75] Inventor: **Michael S. Yacobi**, Powell, Ohio

[73] Assignee: **UnionTools**, Columbus, Ohio

[**] Term: **14 Years**

[21] Appl. No.: **29/074,650**

[22] Filed: **Aug. 8, 1997**

[51] **LOC (7) Cl.** **08-01**

[52] **U.S. Cl.** **D8/10**

[58] **Field of Search** D8/10, 107; 294/49,
294/54.5, 55.5, 57, 50.5; 16/110 R

[56] **References Cited**

U.S. PATENT DOCUMENTS

- D. 353,308 12/1994 Spengler et al. D8/10
- D. 388,293 12/1997 Haver et al. D8/10

OTHER PUBLICATIONS

Attached: 3 photographs of hand-carved wooden fork along with drawing featuring cross-section of handle. dating back to turn of century.

Primary Examiner—Holly Baynham
Attorney, Agent, or Firm—Finnegan, Henderson, Farabow, Garrett, & Dunner, L.L.P.

[57] **CLAIM**

The ornamental design of a handle shaft for a garden or snow tool, as shown and described.

DESCRIPTION

FIG. 1 is a front elevational view of a handle shaft for a garden or snow tool embodying my new design;

FIG. 2 is a rear elevational view of the handle shown in FIG. 1;

FIG. 3 is a right side elevational view thereof, the left side elevational view being a mirror image of the right side elevational view;

FIG. 4 is a cross-section of the handle taken along the arrows "4—4" in FIG. 1;

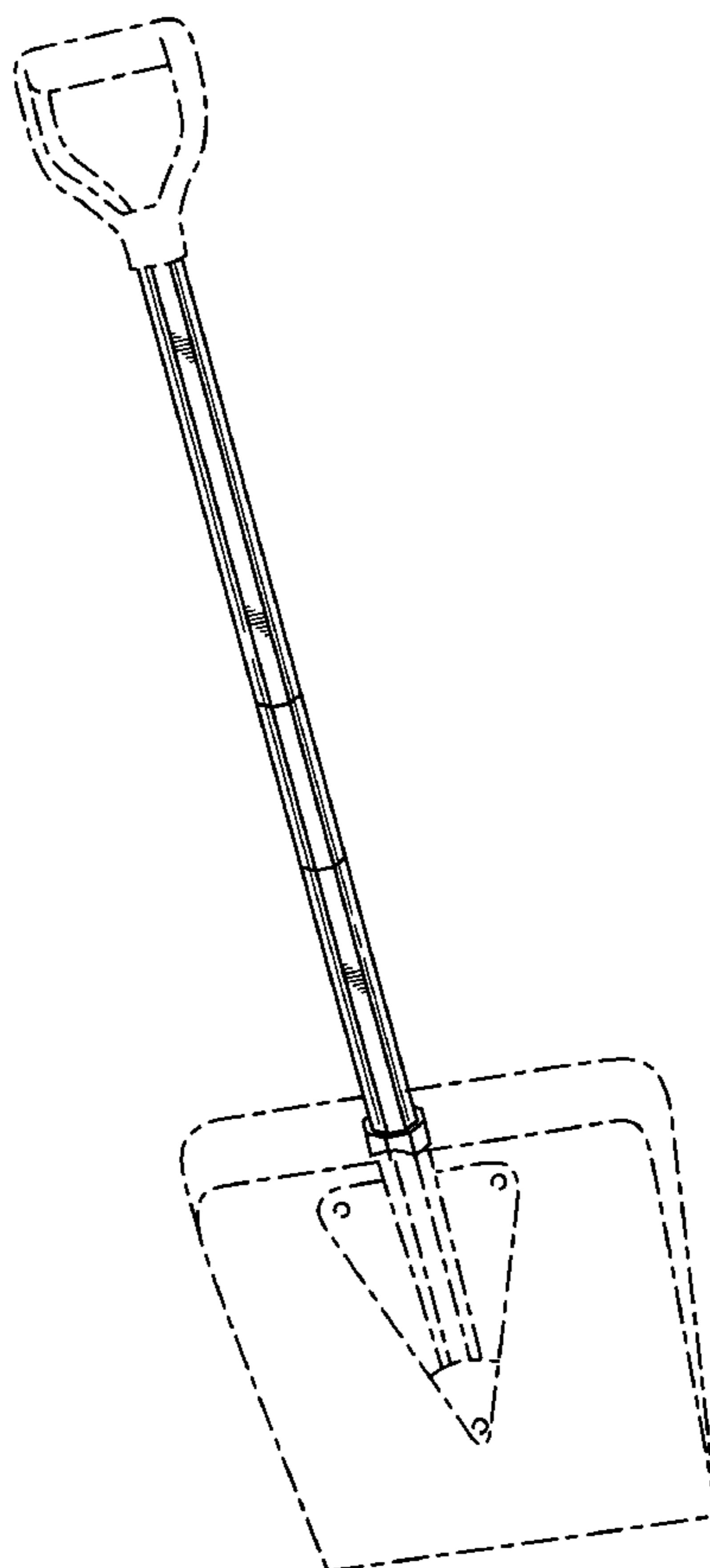
FIG. 5 is a cross-section of the handle taken along the arrows "5—5" in FIG. 1;

FIG. 6 is a perspective view of the rear of the handle; and, FIG. 7 is a side view of the second embodiment of the design shown in FIG. 1 with the opposite side being a mirror image.

The undisclosed front and rear views of the second embodiment are similar in appearance to the claimed design except the rear view is devoid of a label.

The broken line showing of a handle and shovel blade are for illustrative purposes only and form no part of the claimed design.

1 Claim, 3 Drawing Sheets



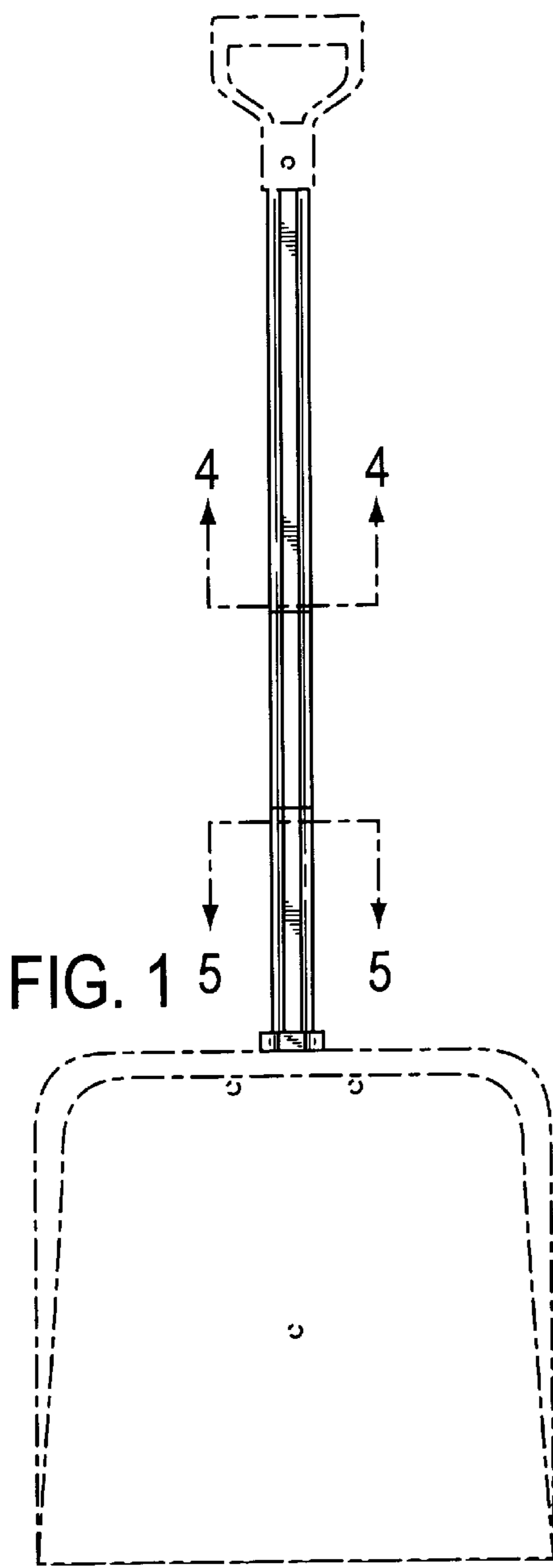


FIG. 1

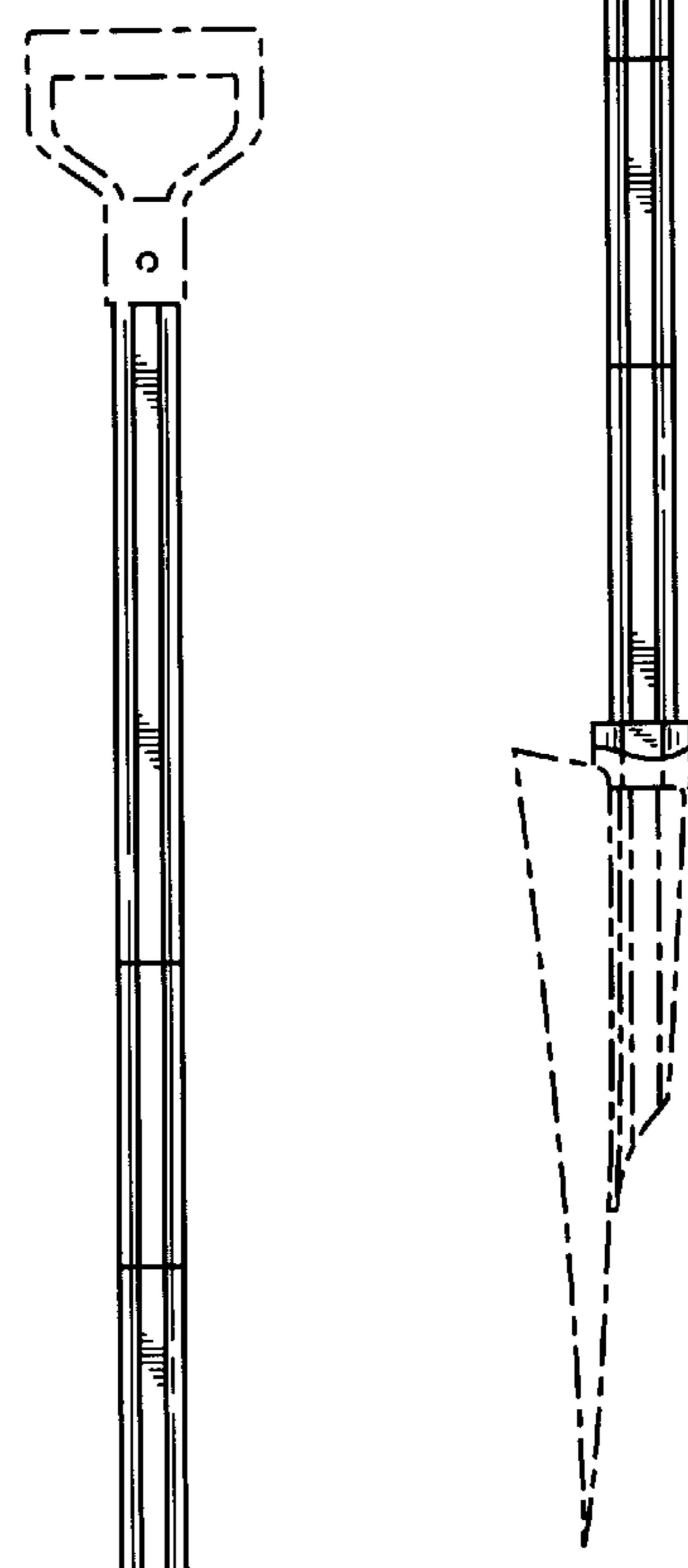


FIG. 3

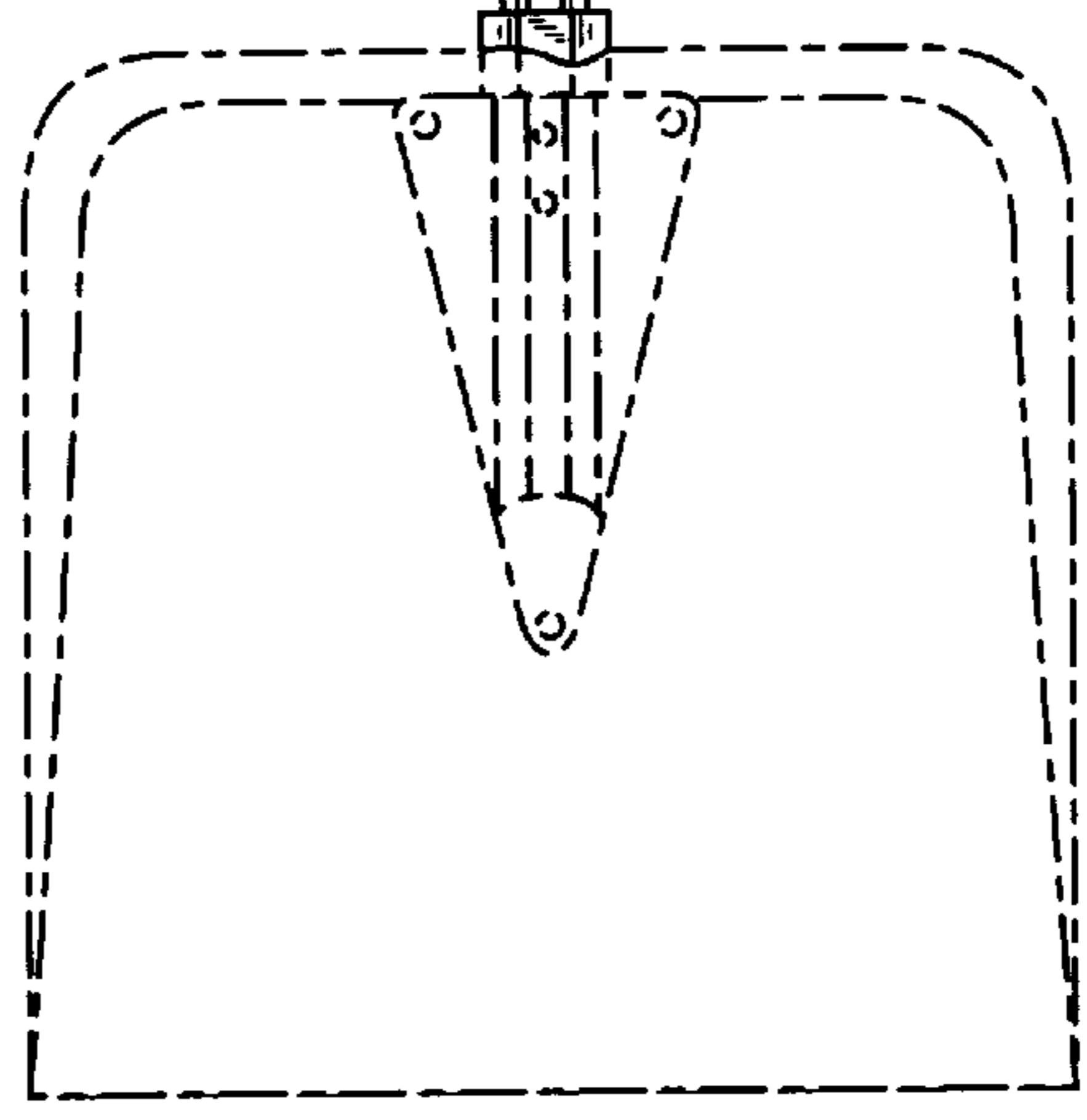


FIG. 2



FIG. 4

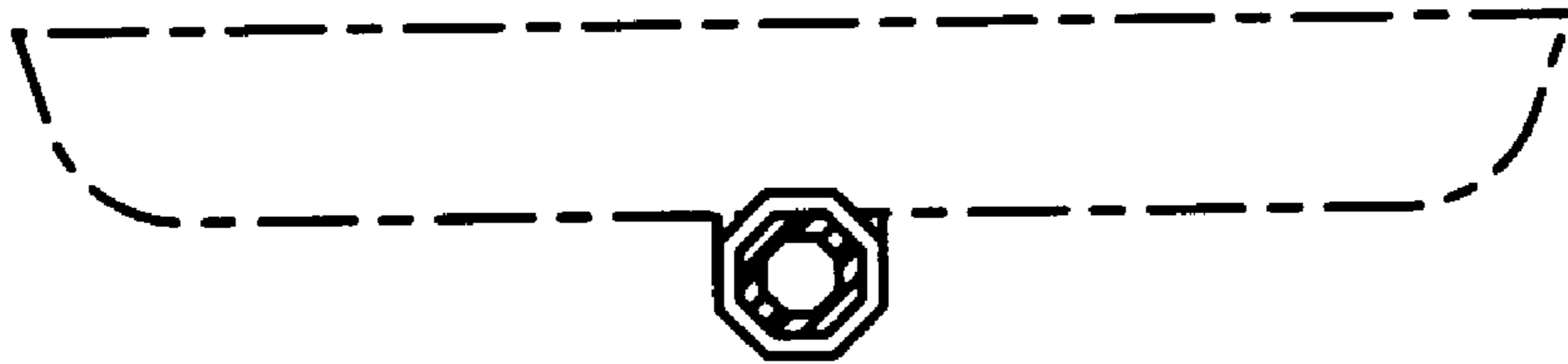


FIG. 5

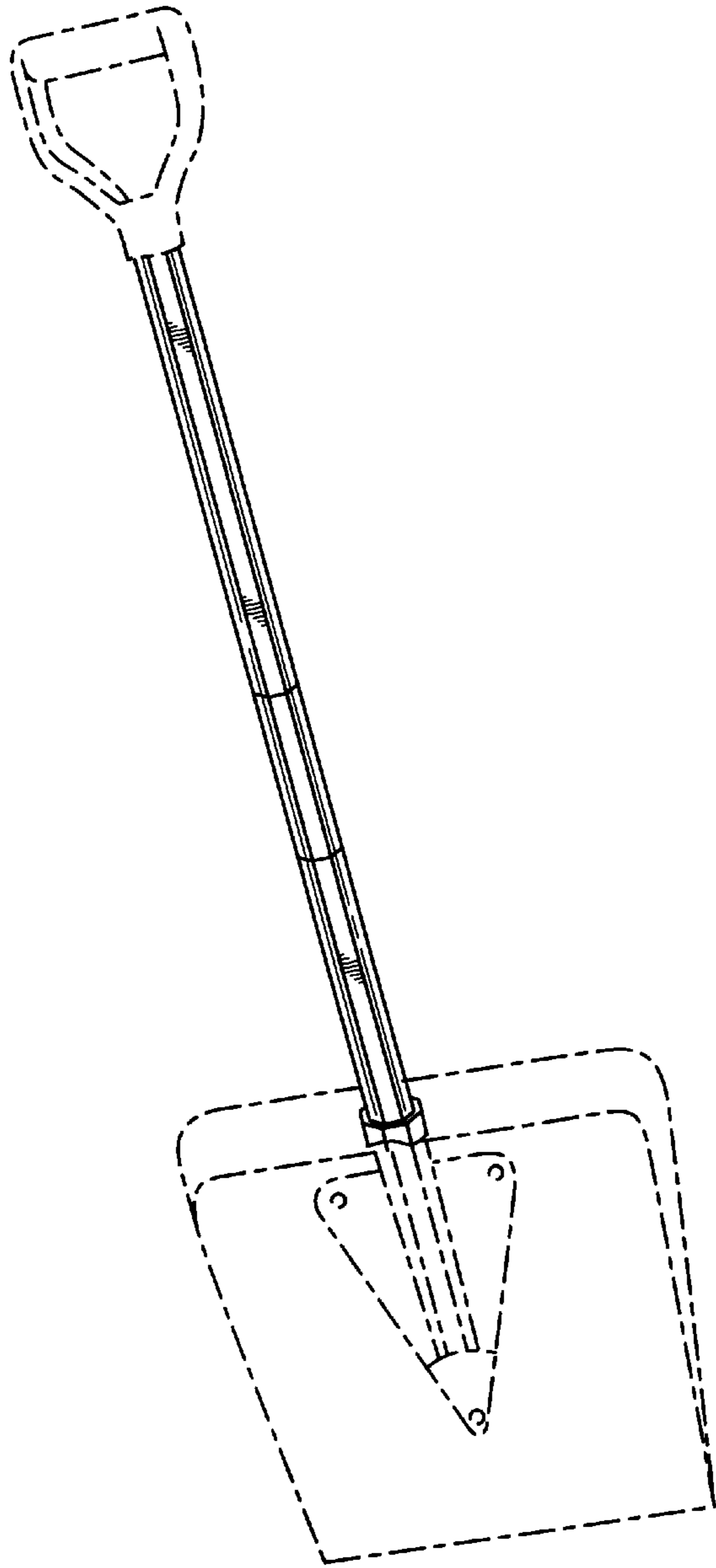


FIG. 6

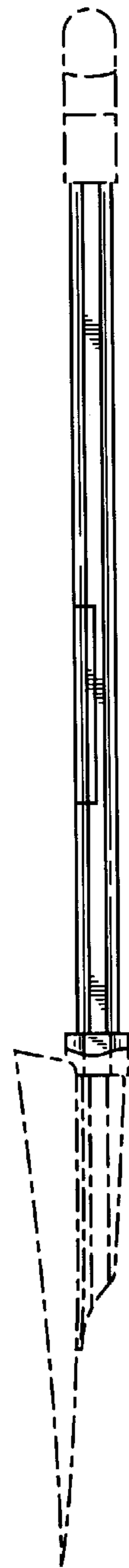


FIG. 7