



US00D427490S

United States Patent [19]
Hunter

[11] **Patent Number: Des. 427,490**
[45] **Date of Patent: ** Jul. 4, 2000**

[54] **SURFACE CONFIGURATION FOR AN INSULATED CONTAINER**

[76] Inventor: **John W. Hunter**, 3131 Mon Cheri, Memphis, Tenn. 38119

[**] Term: **14 Years**

[21] Appl. No.: **29/099,784**

[22] Filed: **Jan. 27, 1999**

[51] **LOC (7) Cl.** **07-07**

[52] **U.S. Cl.** **D7/605**

[58] **Field of Search** D7/605-608; 62/371, 62/372, 457.1-457.7; 220/592.16, 592.17, 592.2, 592.23-592.27, 915.1, 915.2

[56] **References Cited**

U.S. PATENT DOCUMENTS

D. 194,639	2/1963	Szantay	D7/605
D. 201,224	5/1965	Schroeder	D7/605
D. 280,293	8/1985	D'Amour et al. .	
D. 290,080	6/1987	Carlson .	
D. 334,507	4/1993	Erwin	D7/605
3,848,766	11/1974	Ganti et al. .	
4,119,248	10/1978	Butler et al. .	
4,162,029	7/1979	Gottsegen et al. .	
4,266,407	5/1981	Gibson .	
4,336,883	6/1982	Krug et al. .	
4,344,300	8/1982	Taylor .	
4,344,301	8/1982	Taylor .	
4,351,165	9/1982	Gottsegen et al. .	
4,441,336	4/1984	Cannon .	
4,628,705	12/1986	Nave .	
5,095,718	3/1992	Ormond et al. .	
5,758,513	6/1998	Smith .	

OTHER PUBLICATIONS

Picture of advertising label on an Igloo® cooler (date unknown).

Primary Examiner—Terry A. Wallace

1 Claim, 5 Drawing Sheets

Attorney, Agent, or Firm—Walker, McKenzie & Walker P.C.

[57] **CLAIM**

The ornamental design for an surface configuration for an insulated container, as shown and described.

DESCRIPTION

FIG. 1 is a top plan view of an interior surface configuration for an insulated container, showing a first embodiment of my new design and with certain environmental structures shown in broken lines.

FIG. 2 is a sectional view substantially as taken on line 2—2 of FIG. 1.

FIG. 3 is a sectional view substantially as taken on line 3—3 of FIG. 1.

FIG. 4 is a perspective view of the interior surface configuration for an insulated container of FIG. 1 with portions broken away for clarity.

FIG. 5 is a top plan view of an interior surface configuration for an insulated container, showing a second embodiment of my new design and with certain environmental structures shown in broken lines.

FIG. 6 is a sectional view substantially as taken on line 6—6 of FIG. 5.

FIG. 7 is a sectional view substantially as taken on line 7—7 of FIG. 5; and,

FIG. 8 is a perspective view of the interior surface configuration for an insulated container of FIG. 5 with portions broken away for clarity.

The exterior surface of the insulated container forms no part of the claimed design.

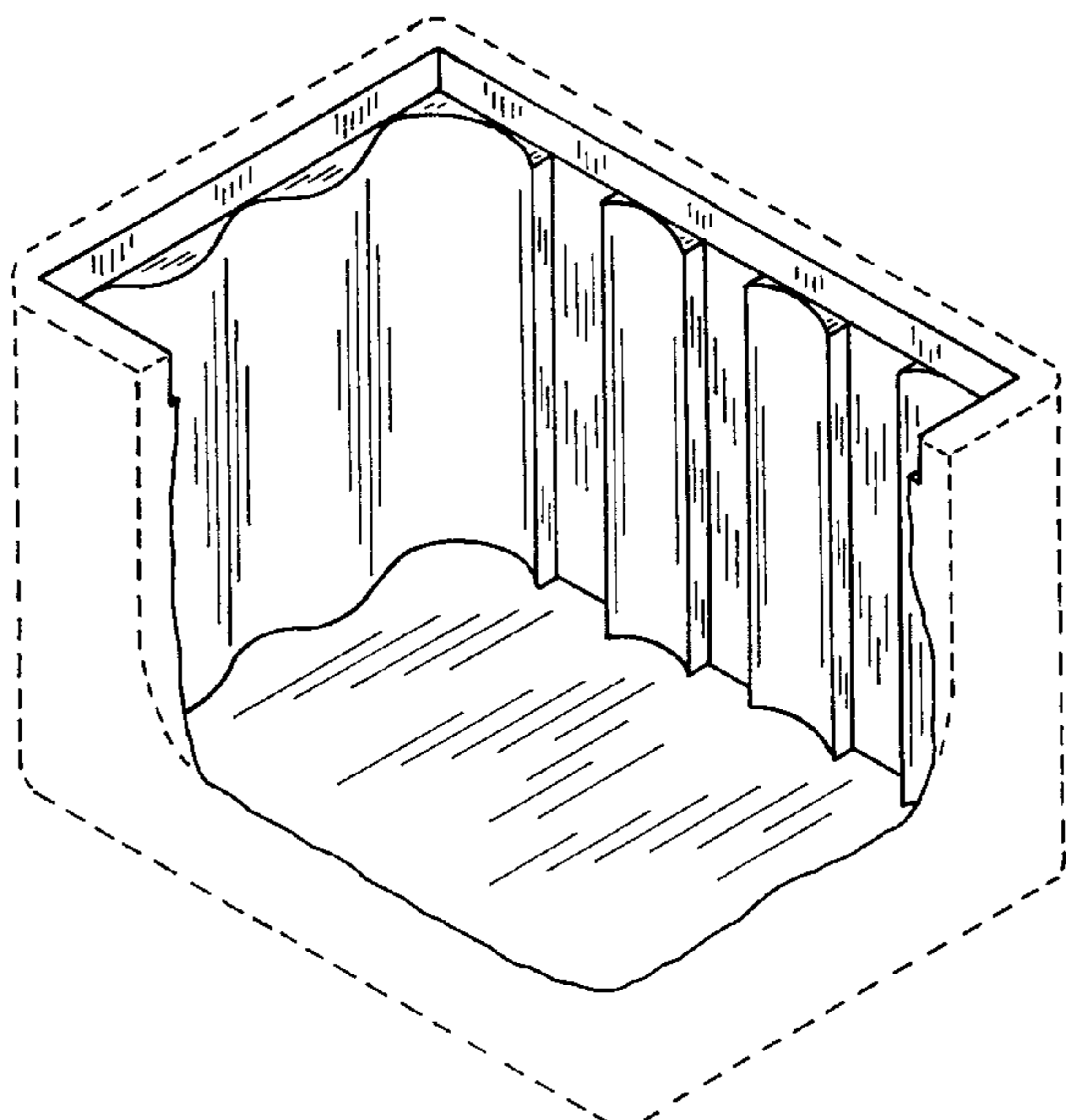
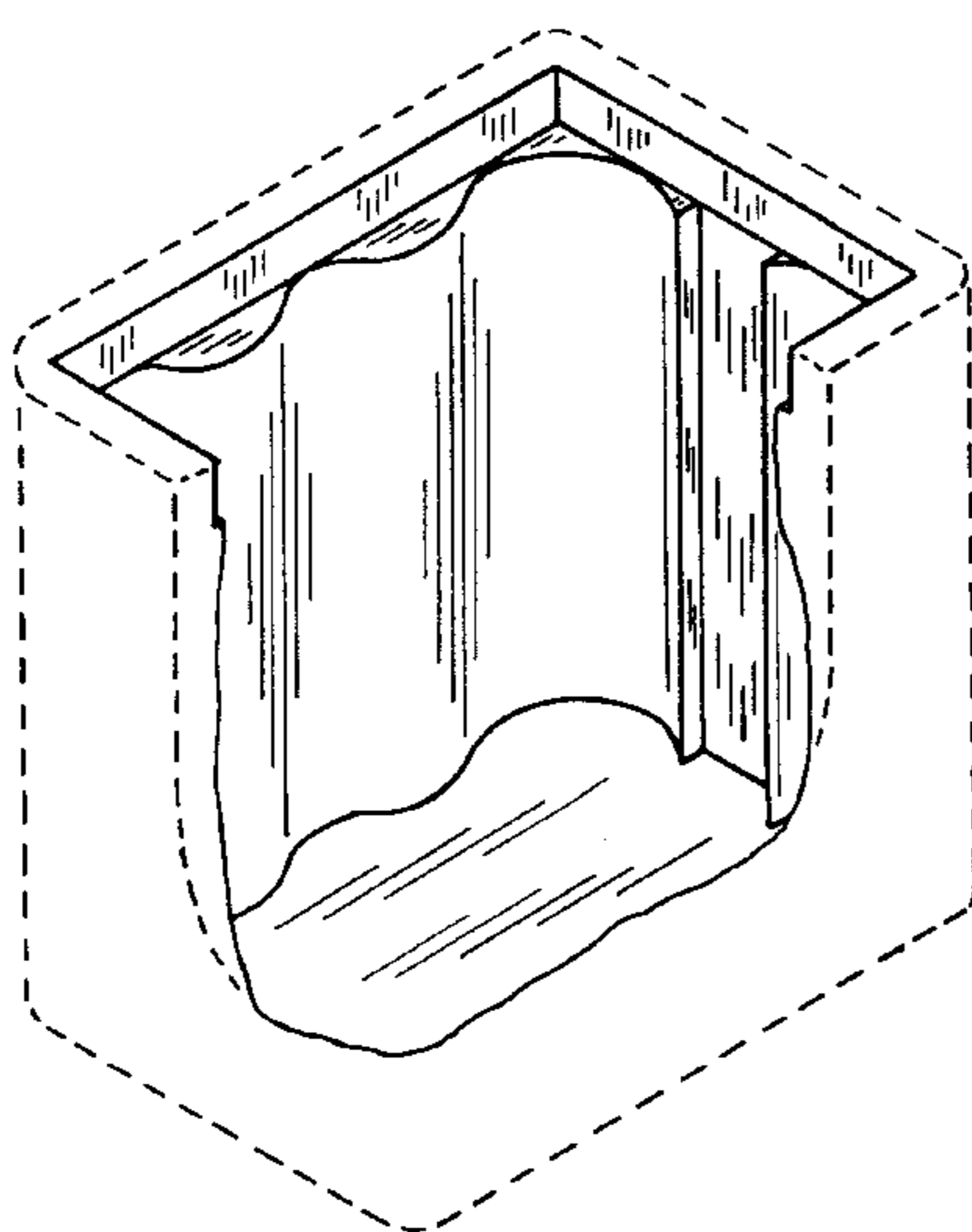


FIG. 1

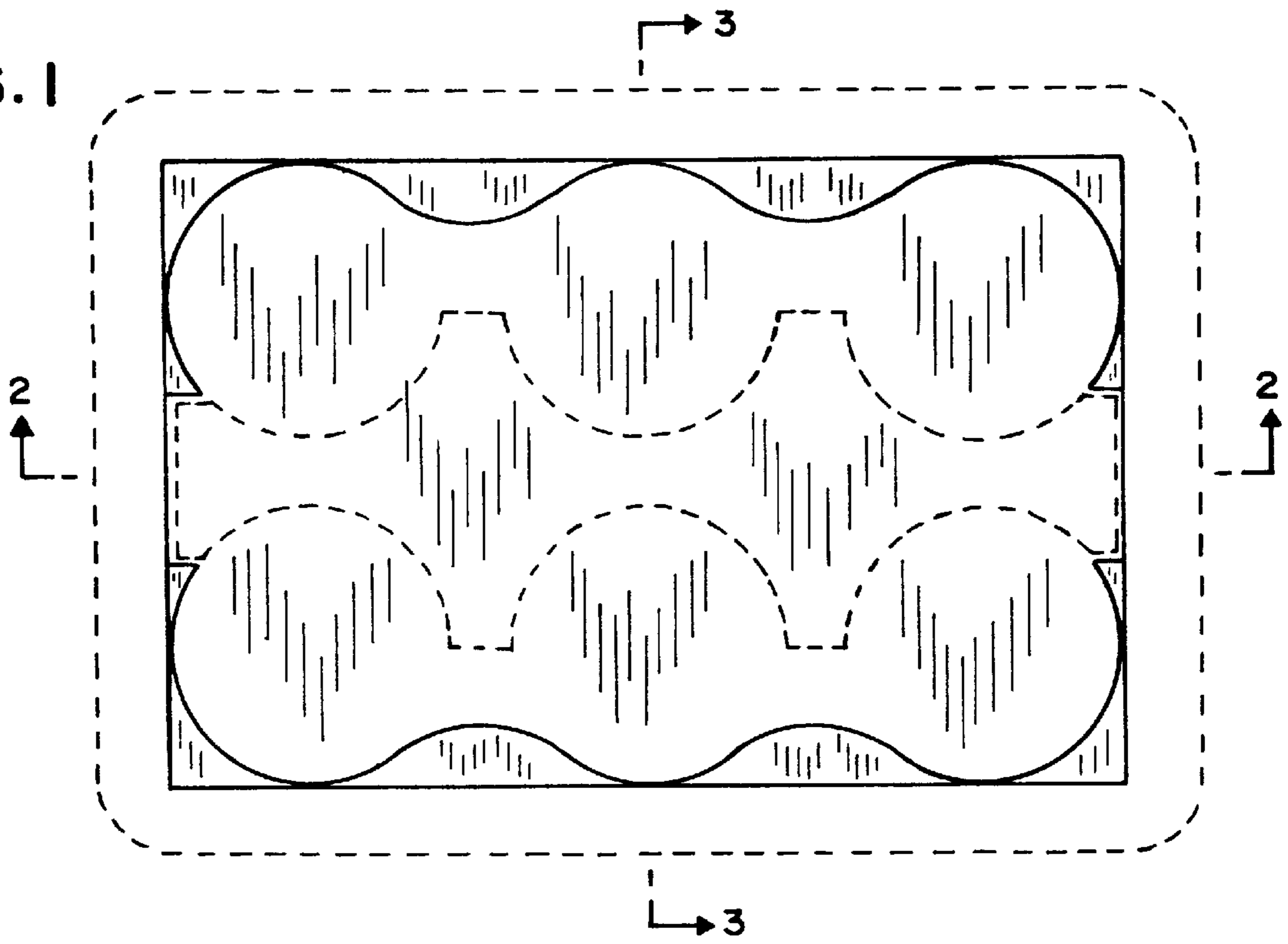


FIG. 2

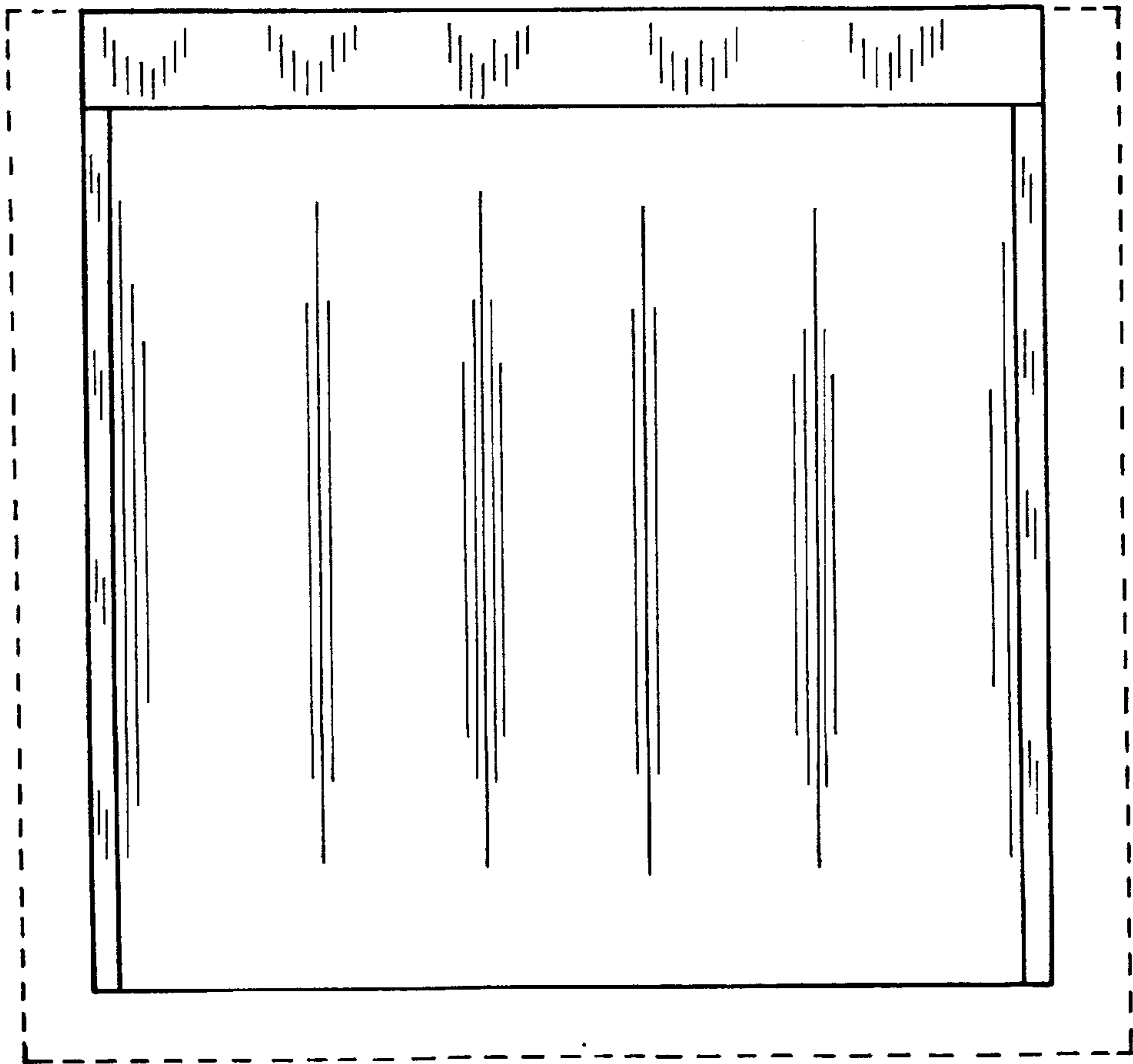


FIG. 3

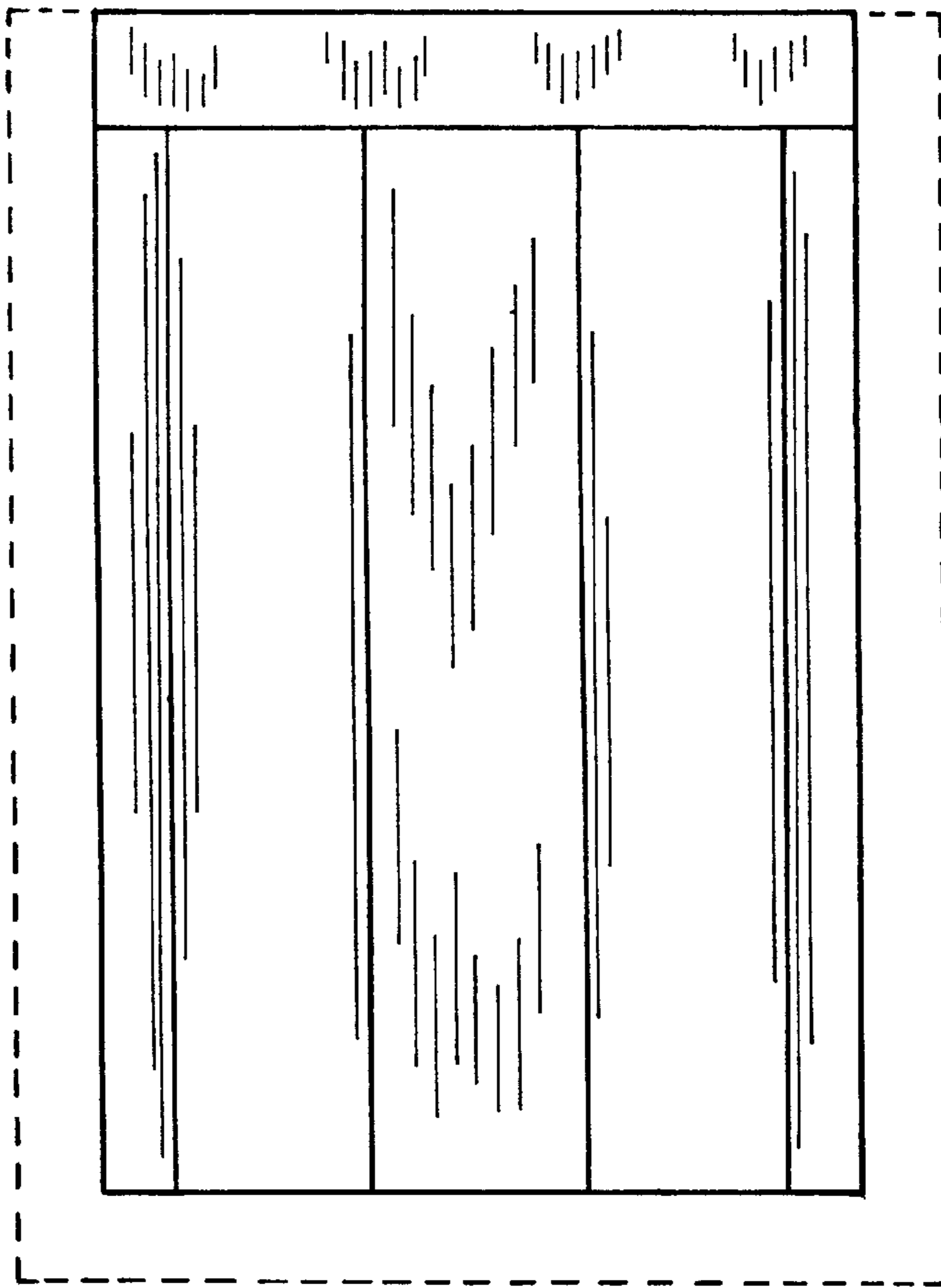


FIG. 4

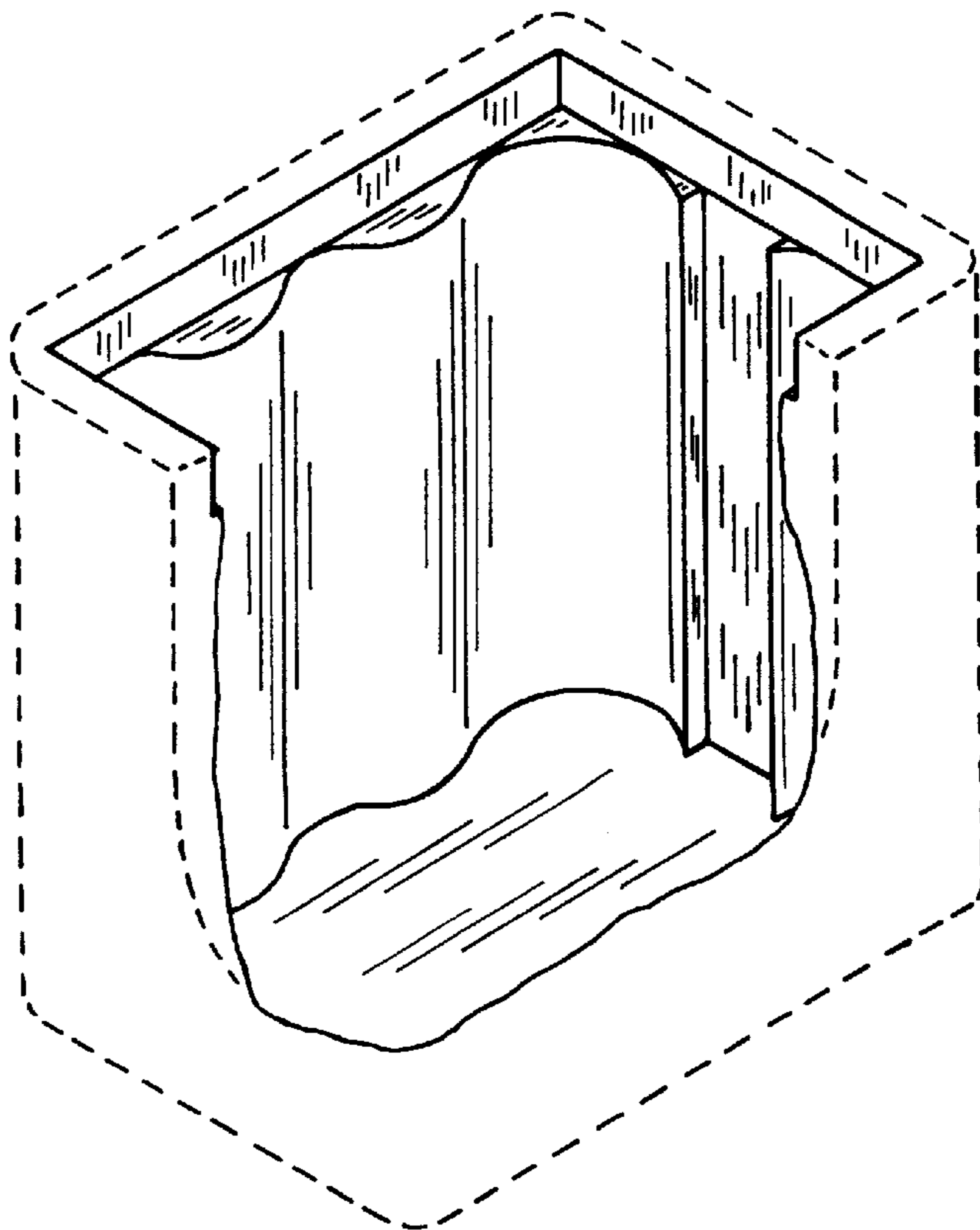


FIG. 5

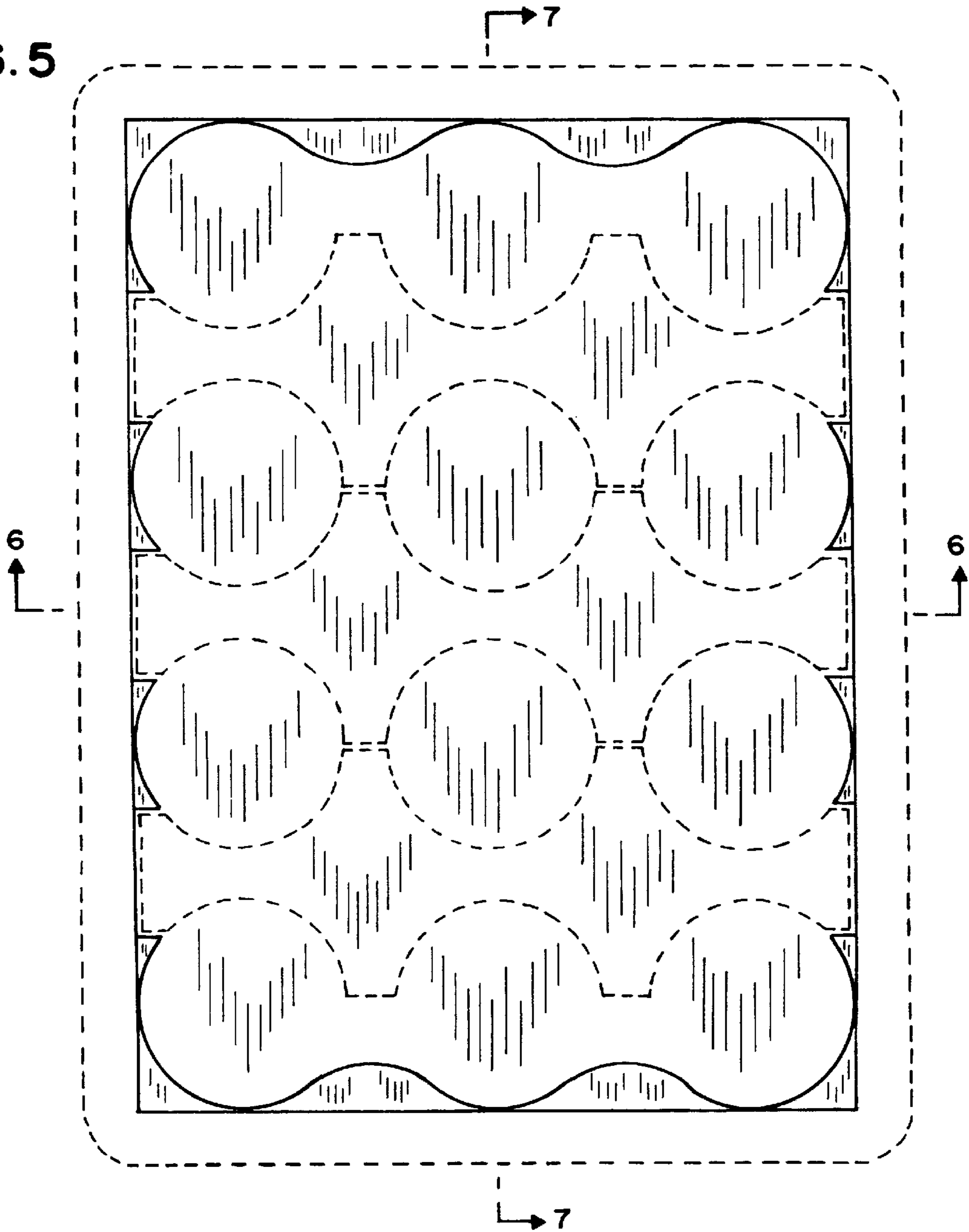


FIG. 6

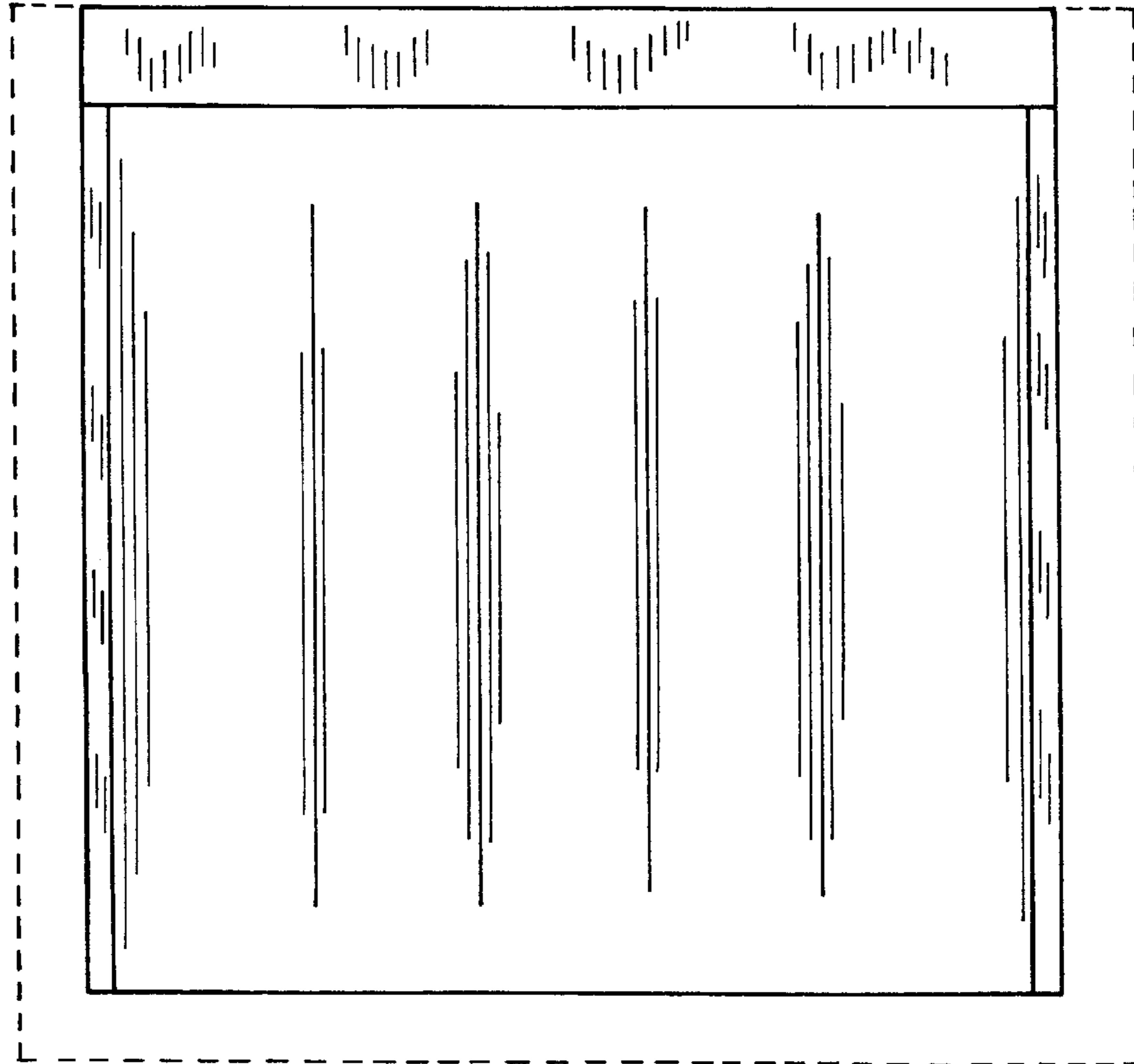


FIG. 7

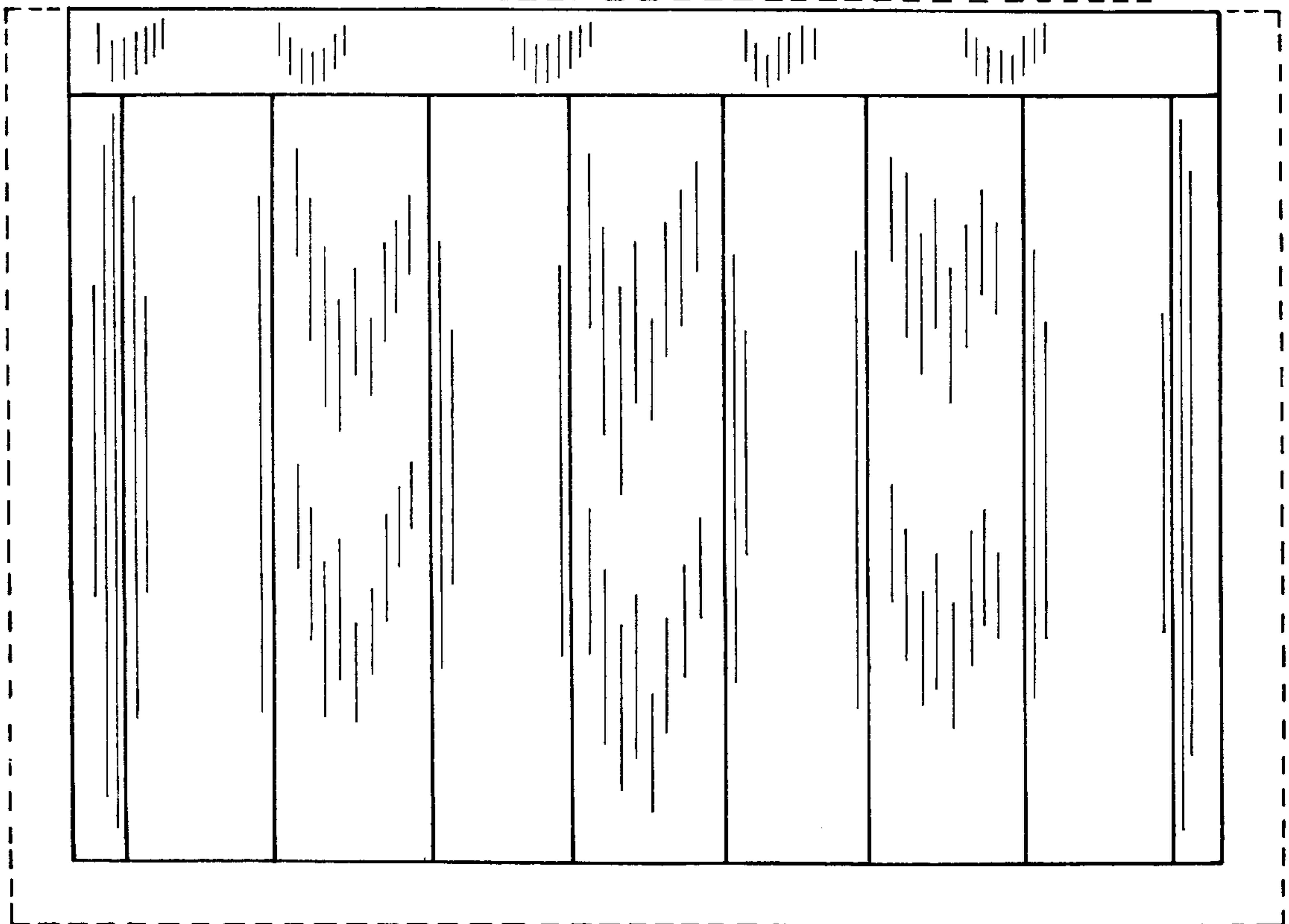


FIG. 8

